



US00D731445S

(12) **United States Design Patent**  
**Wisniewski et al.**

(10) **Patent No.:** **US D731,445 S**  
(45) **Date of Patent:** **\*\* \*Jun. 9, 2015**

(54) **WALL MOUNTED BUTTON PANEL**

(71) Applicant: **Crestron Electronics, Inc.**, Rockleigh, NJ (US)

(72) Inventors: **Stanley Wisniewski**, Pompton Plains, NJ (US); **Doug Jacobson**, Oradell, NJ (US)

(73) Assignee: **Crestron Electronics Inc.**, Rockleigh, NJ (US)

(\*) Notice: This patent is subject to a terminal disclaimer.

(\*\*) Term: **14 Years**

(21) Appl. No.: **29/460,478**

(22) Filed: **Jul. 11, 2013**

**Related U.S. Application Data**

(62) Division of application No. 29/394,237, filed on Jun. 15, 2011, now Pat. No. Des. 686,167.

(51) **LOC (10) Cl.** ..... **13-03**

(52) **U.S. Cl.**  
USPC ..... **D13/174**

(58) **Field of Classification Search**

USPC ..... D13/162, 164, 171, 174; 174/66;  
307/139, 157; 315/209 R, 224, 246,  
315/291, 294, 295; 200/5 R, 5 A, 302.2, 520,  
200/530, 293, 296, 308, 310, 314, 329,  
200/341; 220/241

See application file for complete search history.

(56) **References Cited**

**U.S. PATENT DOCUMENTS**

D285,066 S 8/1986 Liss et al.  
D287,242 S 12/1986 Liss et al.

(Continued)

**OTHER PUBLICATIONS**

Crestron Electronics, Inc., Cameo Keypads Operations and Installation Guide, Feb. 2006, pp. front, cover, i, 1-8, rear cover.

(Continued)

*Primary Examiner* — Selina Sikder

(74) *Attorney, Agent, or Firm* — Crestron Electronics Inc.

(57) **CLAIM**

The ornamental design for a wall mounted button panel, as shown and described.

**DESCRIPTION**

FIG. 1 shows a front elevational view of an embodiment of a wall mounted button panel, with elements in dashed lines forming no part of the claimed design.

FIG. 2 shows an isometric projection of the wall mounted button panel of FIG. 1, with elements in dashed lines forming no part of the claimed design.

FIG. 3 shows a left side elevational view of the wall mounted button panel of FIG. 1, with elements in dashed lines forming no part of the claimed design.

FIG. 4 shows a right side elevational view of the wall mounted button panel of FIG. 1, with elements in dashed lines forming no part of the claimed design.

FIG. 5 shows a top plan view of the wall mounted button panel of FIG. 1, with elements in dashed lines forming no part of the claimed design.

FIG. 6 shows a bottom plan view of the wall mounted button panel of FIG. 1, with elements in dashed lines forming no part of the claimed design.

FIG. 7 shows a front elevational view of another embodiment of a wall mounted button panel, with elements in dashed lines forming no part of the claimed design.

FIG. 8 shows an isometric projection of the wall mounted button panel of FIG. 7, with elements in dashed lines forming no part of the claimed design.

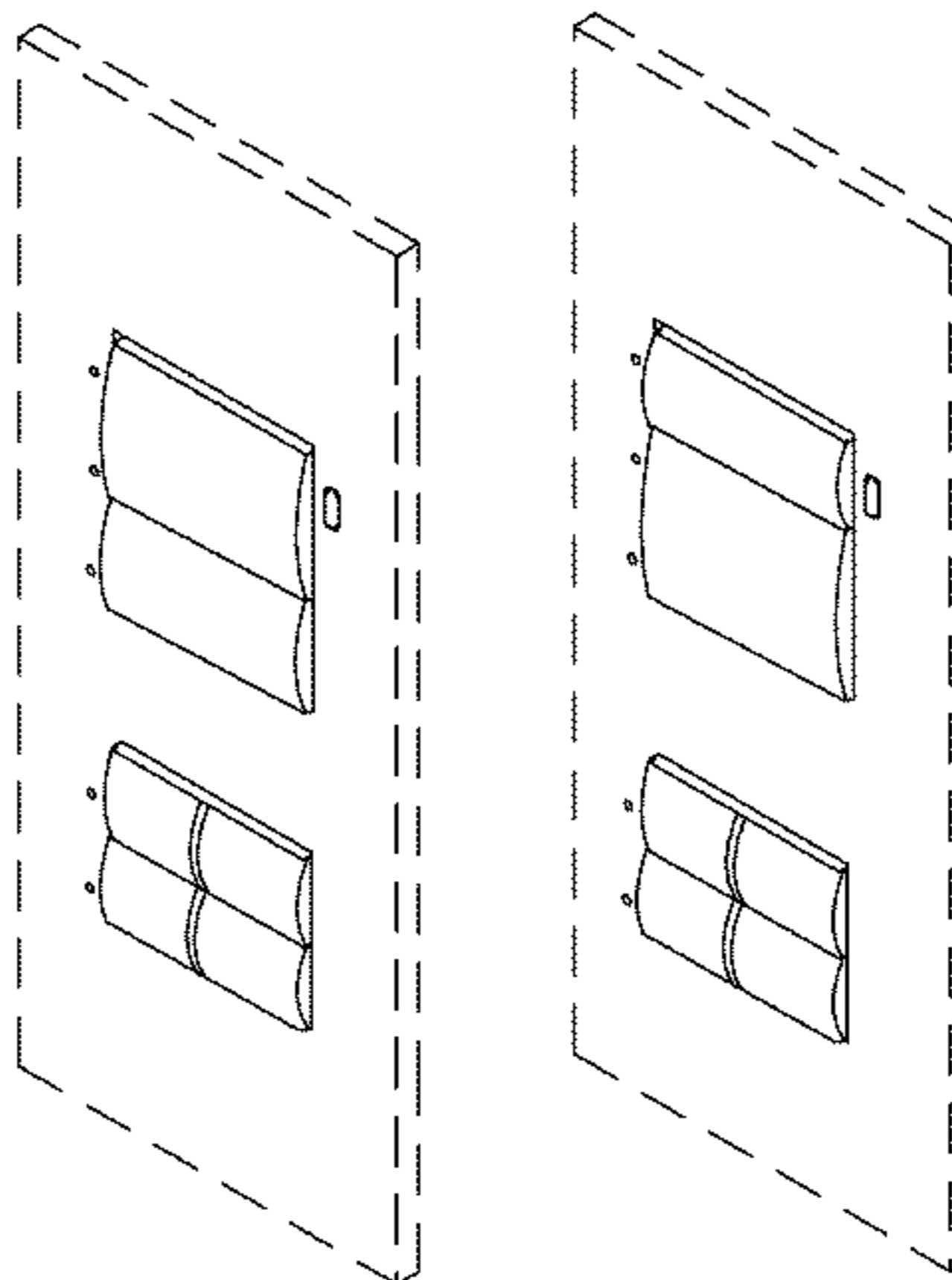
FIG. 9 shows a left side elevational view of the wall mounted button panel of FIG. 7, with elements in dashed lines forming no part of the claimed design.

FIG. 10 shows a right side elevational view of the wall mounted button panel of FIG. 7, with elements in dashed lines forming no part of the claimed design.

FIG. 11 shows a top plan view of the wall mounted button panel of FIG. 7, with elements in dashed lines forming no part of the claimed design; and,

FIG. 12 shows a bottom plan view of the wall mounted button panel of FIG. 7, with elements in dashed lines forming no part of the claimed design.

**1 Claim, 8 Drawing Sheets**



(56)

References Cited

U.S. PATENT DOCUMENTS

D311,382 S 10/1990 Mayo et al.  
 D311,485 S 10/1990 Jacoby et al.  
 D311,678 S 10/1990 Graef et al.  
 D313,738 S 1/1991 Mayo et al.  
 D319,429 S 8/1991 D'Aleo et al.  
 D327,255 S 6/1992 D'Aleo et al.  
 D336,744 S 6/1993 Kahn et al.  
 D344,264 S 2/1994 D'Aleo et al.  
 D353,798 S 12/1994 Bryde et al.  
 5,608,196 A 3/1997 Hall et al.  
 D389,461 S 1/1998 Mayo et al.  
 D389,805 S 1/1998 Mayo et al.  
 D395,037 S 6/1998 Mayo et al.  
 5,783,787 A \* 7/1998 Data ..... 200/5 R  
 D404,013 S 1/1999 Mayo et al.  
 D412,315 S 7/1999 Mayo et al.  
 D421,246 S 2/2000 Mayo et al.  
 D422,567 S 4/2000 Mayo et al.  
 D428,855 S 8/2000 Mayo et al.  
 6,120,262 A 9/2000 McDonough et al.  
 D436,930 S 1/2001 Butler  
 D437,585 S 2/2001 Mayo et al.  
 D437,834 S 2/2001 Mayo et al.  
 D441,723 S 5/2001 Mayo et al.  
 D442,558 S 5/2001 Mayo et al.  
 D450,043 S 11/2001 Mosebrook  
 D453,742 S 2/2002 Butler et al.  
 D456,783 S 5/2002 Mayo et al.  
 D461,782 S 8/2002 Butler et al.  
 D465,460 S 11/2002 Mayo et al.  
 D466,090 S 11/2002 Bennett  
 D466,091 S 11/2002 Bennett  
 D466,484 S 12/2002 Bennett  
 6,545,434 B2 4/2003 Sembhi et al.  
 D475,024 S 5/2003 Bennett  
 D475,025 S 5/2003 Bennett  
 D490,061 S 5/2004 Bennett  
 D510,074 S 9/2005 Larson et al.  
 D516,041 S 2/2006 Hobart et al.  
 7,019,241 B2 \* 3/2006 Grassl et al. .... 200/339  
 D535,950 S 1/2007 Alker et al.  
 D538,238 S 3/2007 Alker et al.  
 D539,758 S 4/2007 Blair et al.  
 D541,221 S \* 4/2007 Spira ..... D13/162  
 D542,226 S 5/2007 Spira  
 D542,227 S 5/2007 Larson et al.  
 D542,229 S 5/2007 Larson et al.  
 D546,294 S 7/2007 Mayo et al.  
 D546,776 S \* 7/2007 Mierta et al. .... D13/162  
 D547,274 S \* 7/2007 Mierta et al. .... D13/164  
 D547,733 S 7/2007 Mayo et al.  
 D547,734 S 7/2007 Mayo et al.  
 D550,163 S 9/2007 Mayo et al.  
 D550,164 S 9/2007 Mayo et al.

D550,165 S 9/2007 Mayo et al.  
 D550,166 S 9/2007 Mayo et al.  
 D551,177 S 9/2007 Larson et al.  
 D551,178 S 9/2007 Mayo et al.  
 D551,179 S 9/2007 Mayo et al.  
 D551,630 S 9/2007 Larson et al.  
 D551,631 S 9/2007 Mayo et al.  
 D552,042 S 10/2007 Mayo et al.  
 D557,662 S 12/2007 Spira  
 D557,664 S 12/2007 Hewson et al.  
 D557,665 S 12/2007 Hewson et al.  
 D572,664 S 7/2008 Hollner et al.  
 D572,665 S 7/2008 Hollner et al.  
 D572,666 S 7/2008 Biery et al.  
 D573,546 S 7/2008 Hollner  
 D573,956 S 7/2008 Hollner et al.  
 D574,787 S 8/2008 Hollner  
 D576,958 S 9/2008 Hollner  
 D580,881 S 11/2008 Hollner  
 D580,882 S 11/2008 Hollner  
 D580,883 S 11/2008 Hollner  
 D580,884 S 11/2008 Hollner  
 D585,840 S 2/2009 Hollner  
 D585,841 S 2/2009 Hollner  
 D586,760 S 2/2009 Hollner et al.  
 D588,070 S 3/2009 Hollner et al.  
 D588,071 S 3/2009 Hollner et al.  
 D588,072 S 3/2009 Hollner et al.  
 D588,073 S 3/2009 Hollner  
 D588,074 S 3/2009 Hollner  
 D588,075 S 3/2009 Hollner  
 D588,553 S 3/2009 Hollner et al.  
 D595,663 S 7/2009 Hollner  
 D595,665 S 7/2009 Hollner  
 D595,666 S 7/2009 Hollner  
 D596,140 S 7/2009 Hollner  
 D604,743 S 11/2009 Altonen et al.  
 D612,400 S 3/2010 Altonen et al.  
 D613,305 S 4/2010 Altonen et al.  
 7,796,057 B2 9/2010 Swatsky et al.  
 D624,881 S 10/2010 Altonen et al.  
 D624,882 S 10/2010 Altonen et al.  
 D625,273 S 10/2010 Felegy et al.  
 D633,448 S 3/2011 Biery et al.  
 D633,874 S \* 3/2011 Feldstein et al. .... D13/164  
 8,102,375 B1 \* 1/2012 Feldstein ..... 345/170  
 2002/0060530 A1 5/2002 Sembhi et al.  
 2005/0284738 A1 12/2005 Altonen et al.  
 2008/0136683 A1 \* 6/2008 Swatsky et al. .... 341/23  
 2008/0237010 A1 10/2008 Patel et al.  
 2010/0214756 A1 \* 8/2010 Feldstein ..... 361/807

OTHER PUBLICATIONS

Exhibit A—*Lutron Electronics v. Crestron Electronics* CV 2:09-cv-07, Third Amended Complaint.

\* cited by examiner

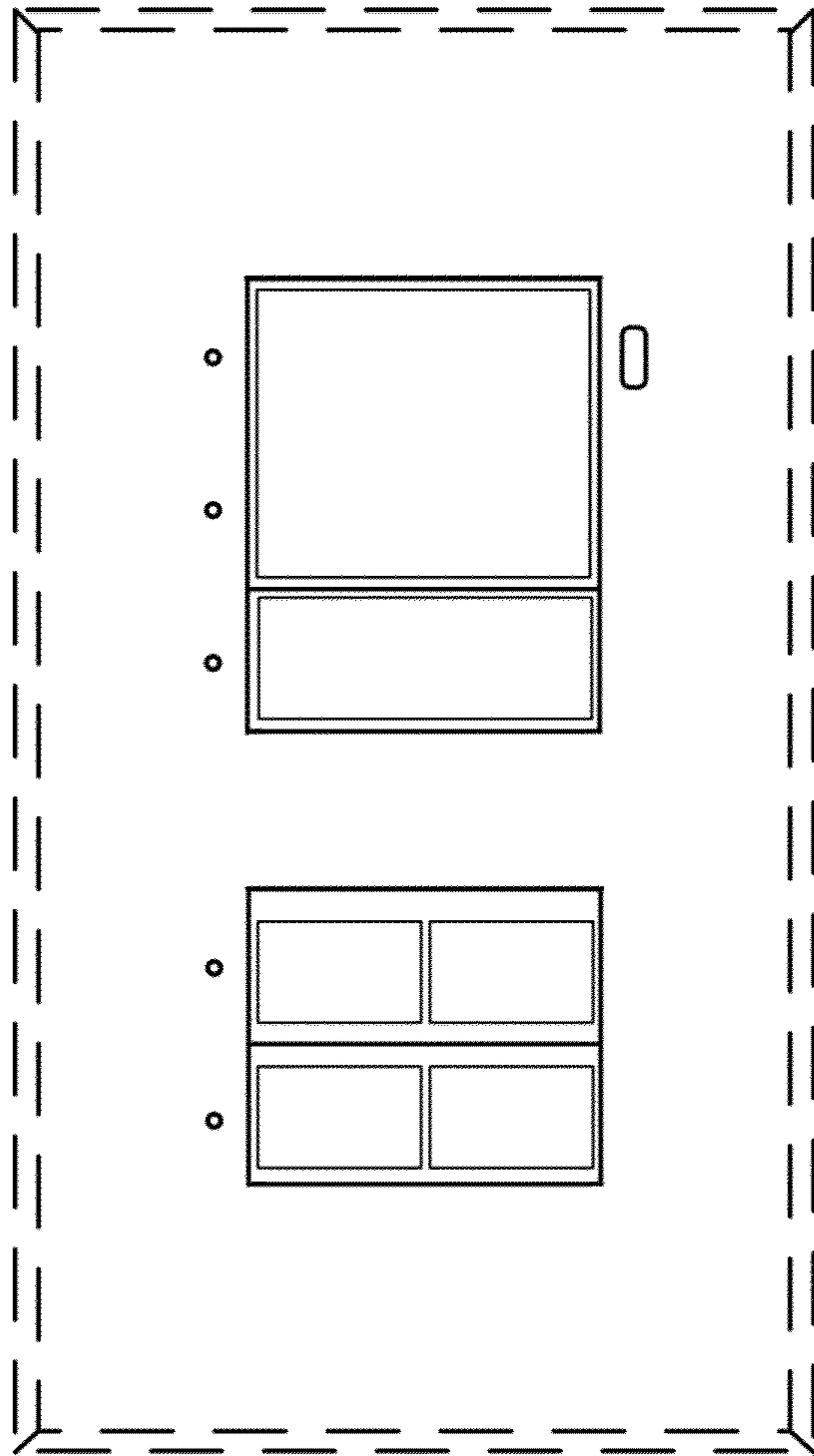


FIG. 1

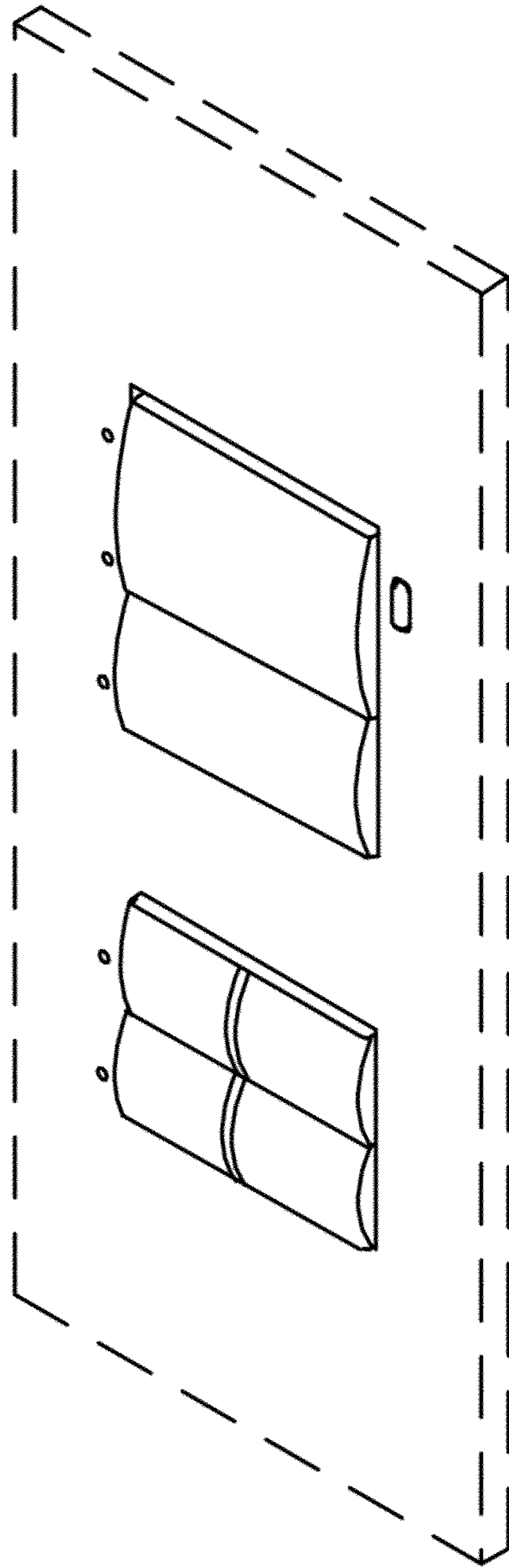


FIG. 2

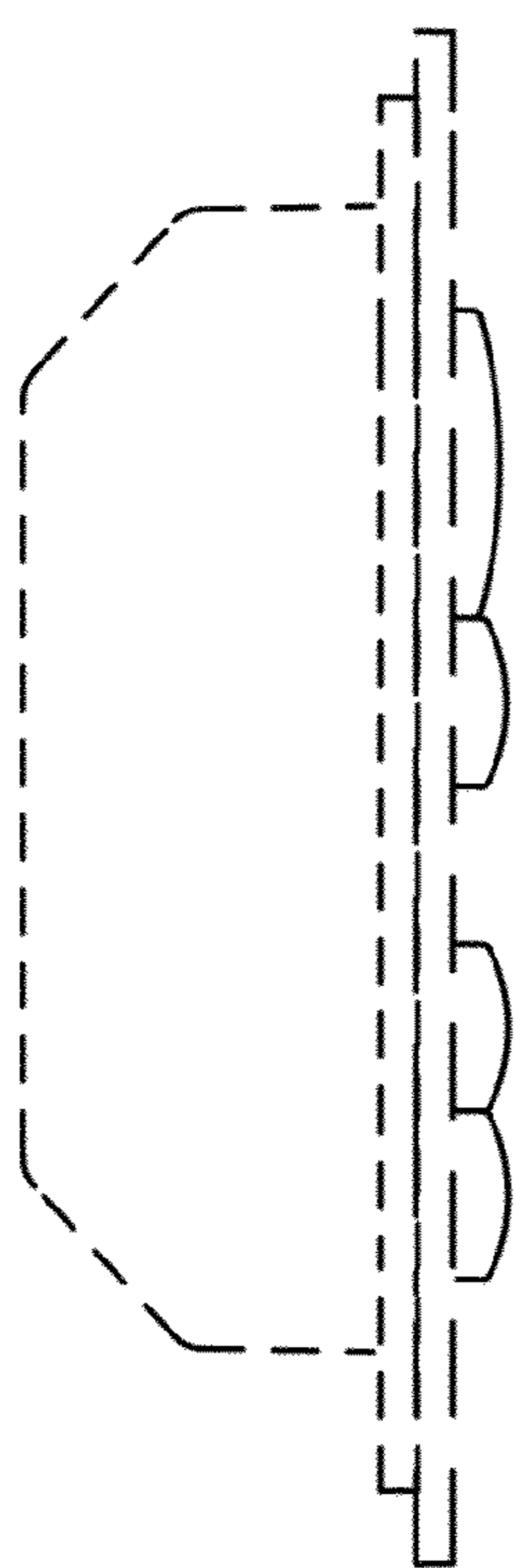


FIG. 3

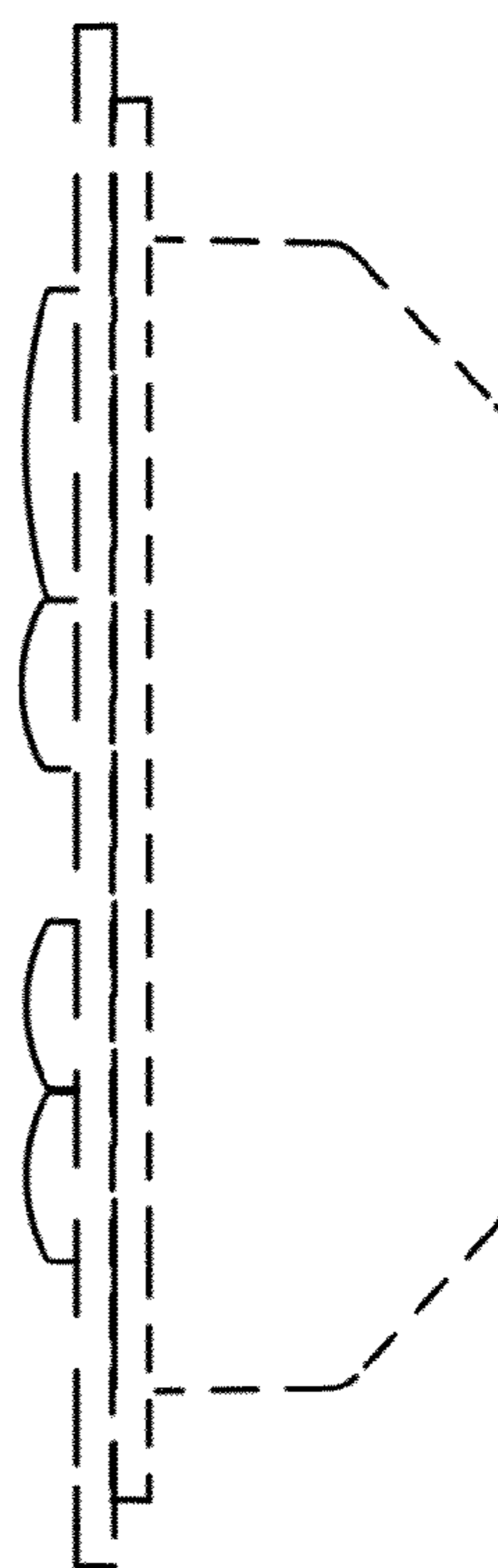


FIG. 4

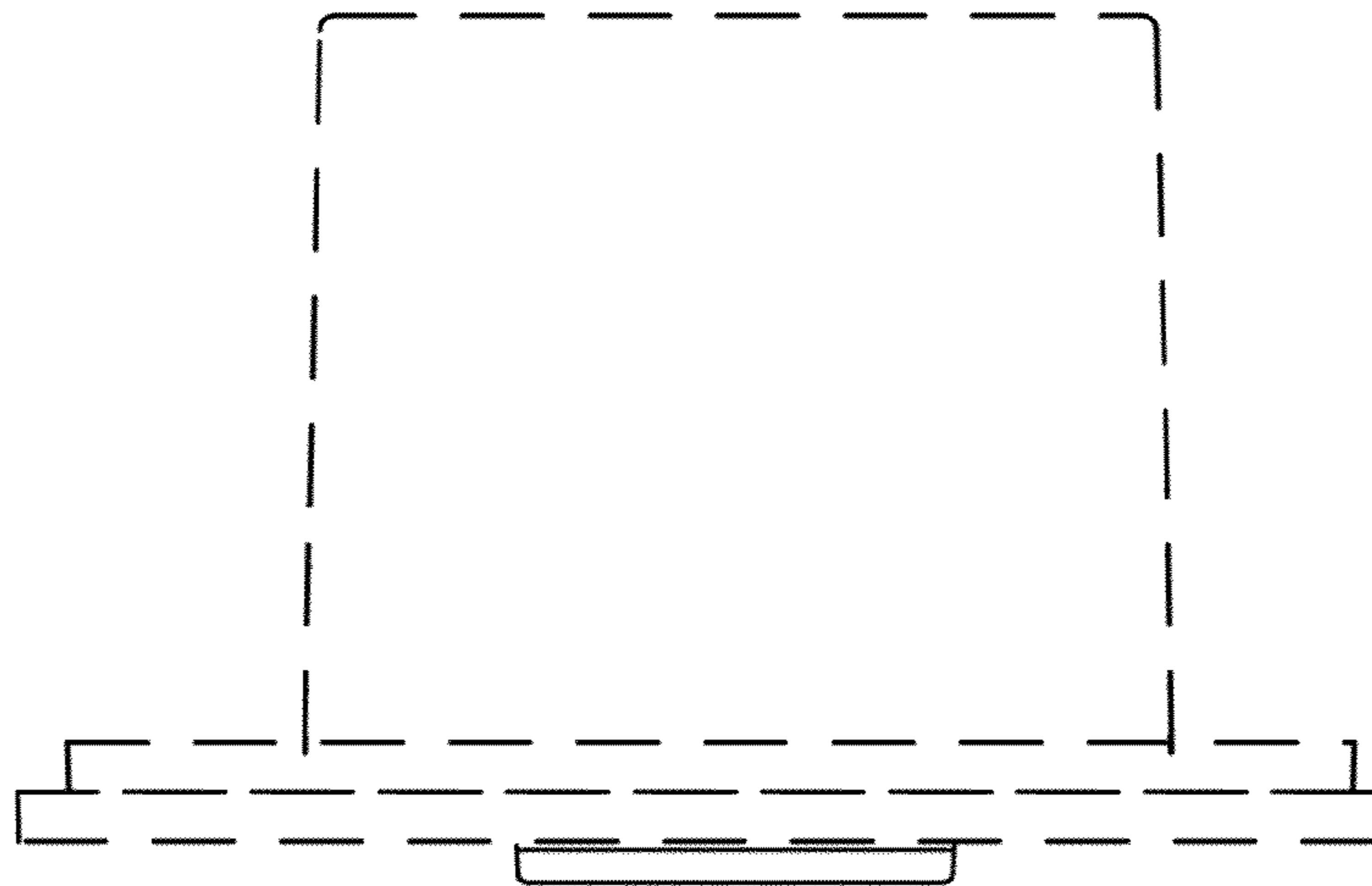


FIG. 5

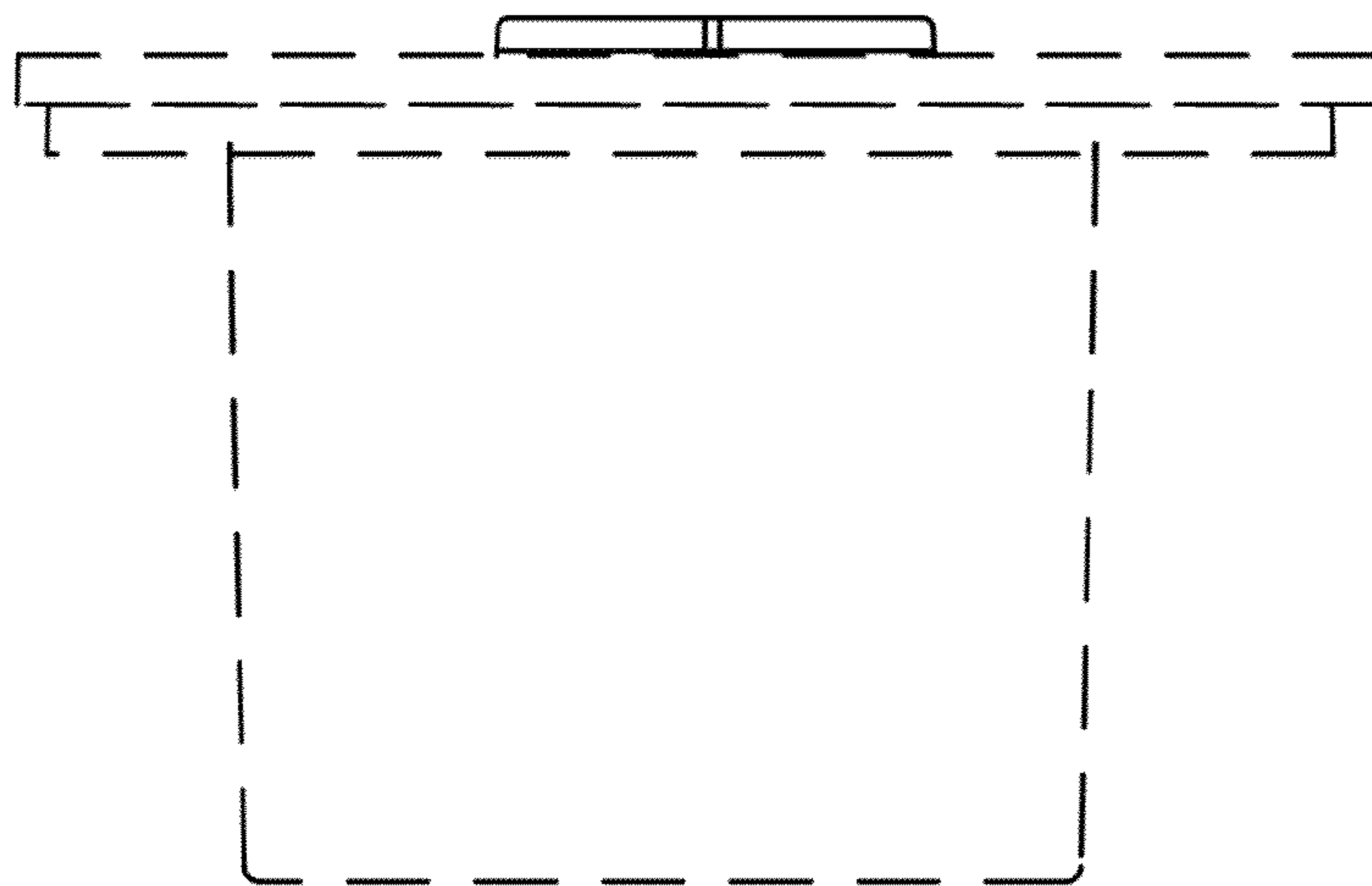


FIG. 6

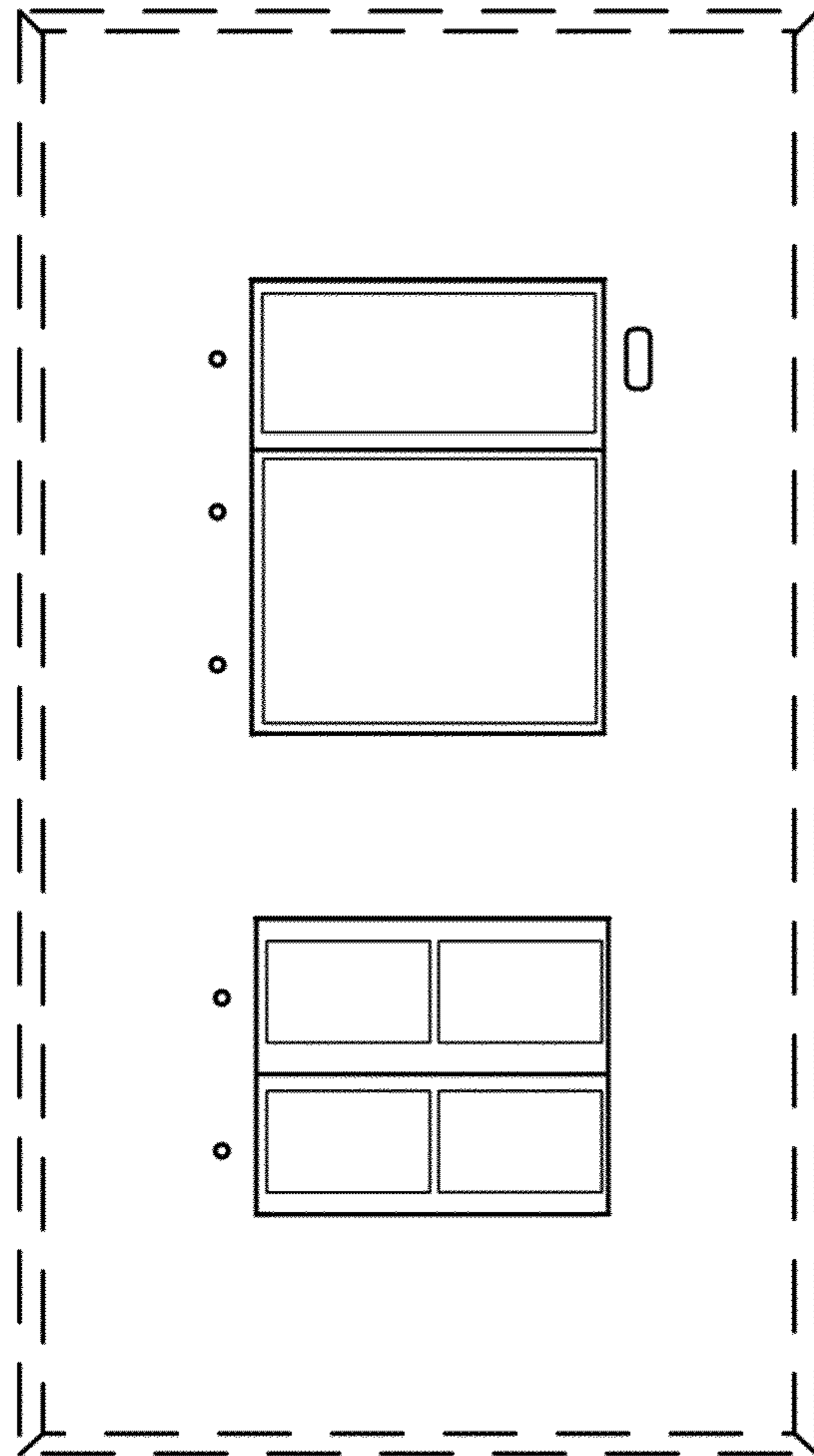


FIG. 7

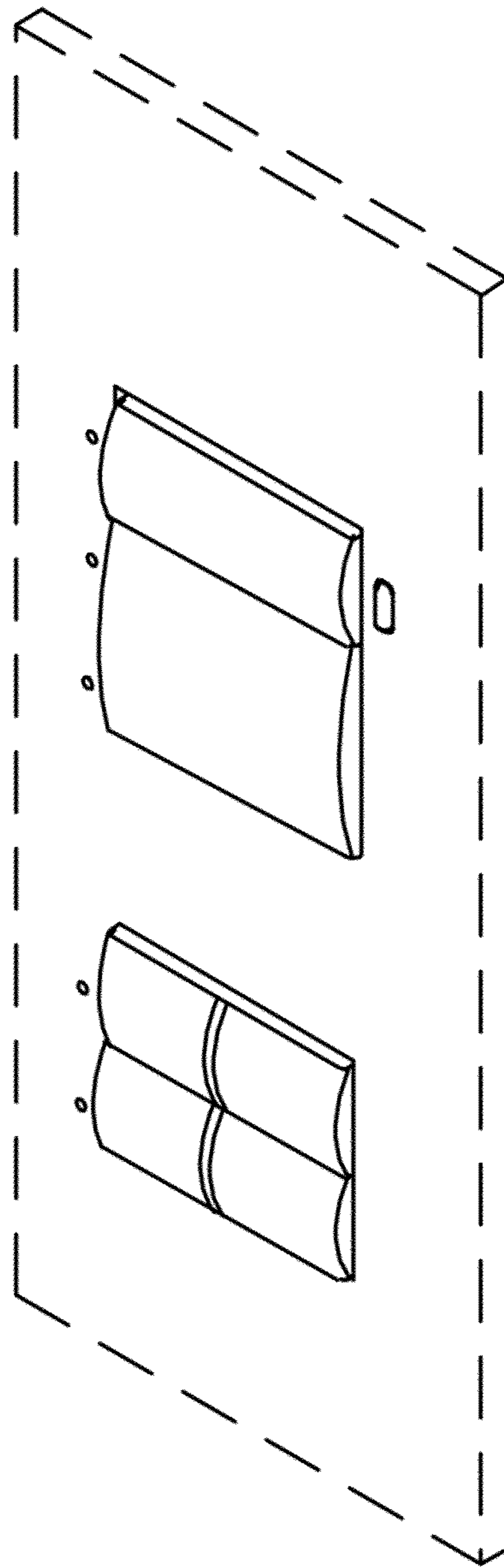


FIG. 8



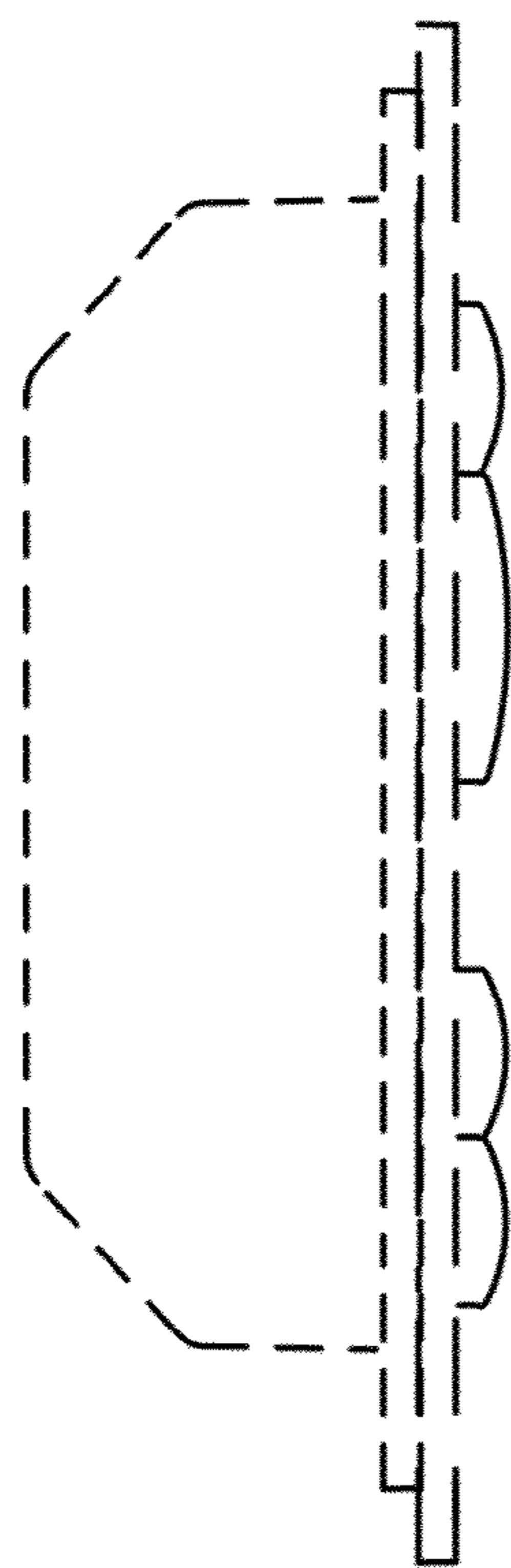


FIG. 9

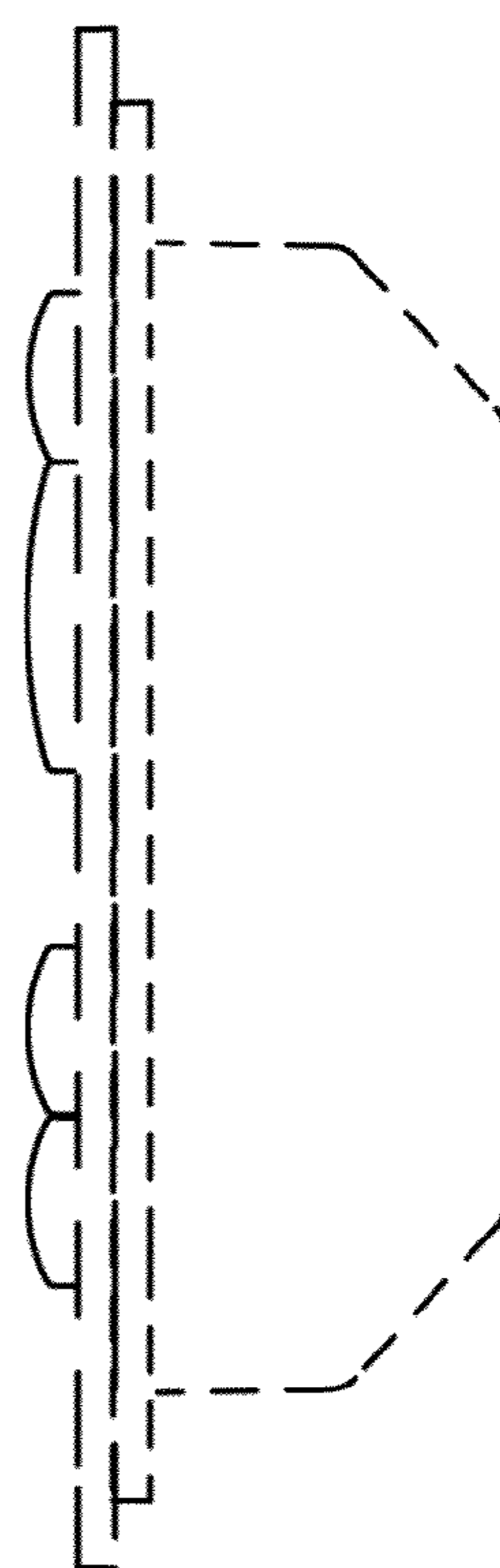


FIG. 10

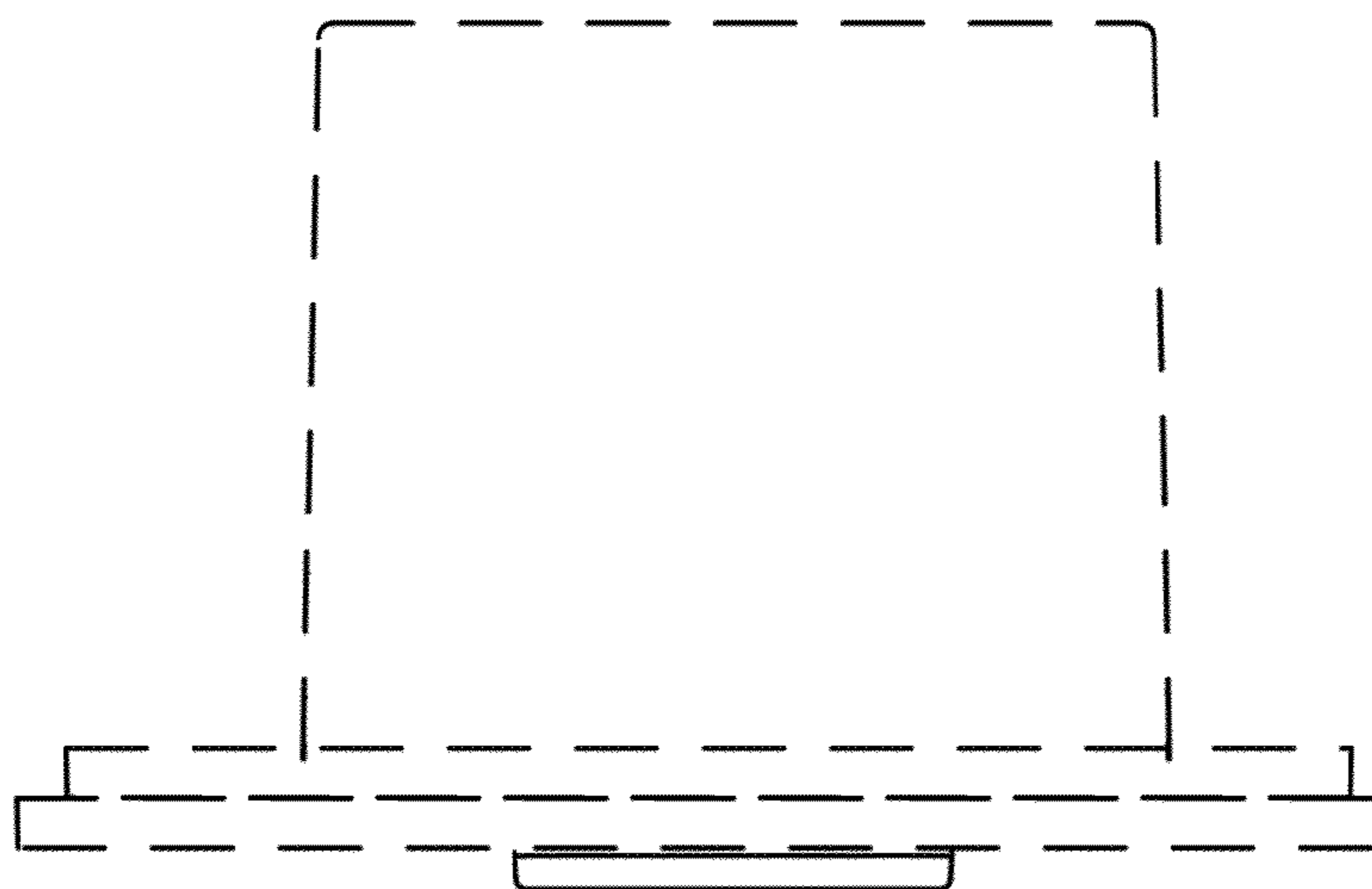


FIG. 11

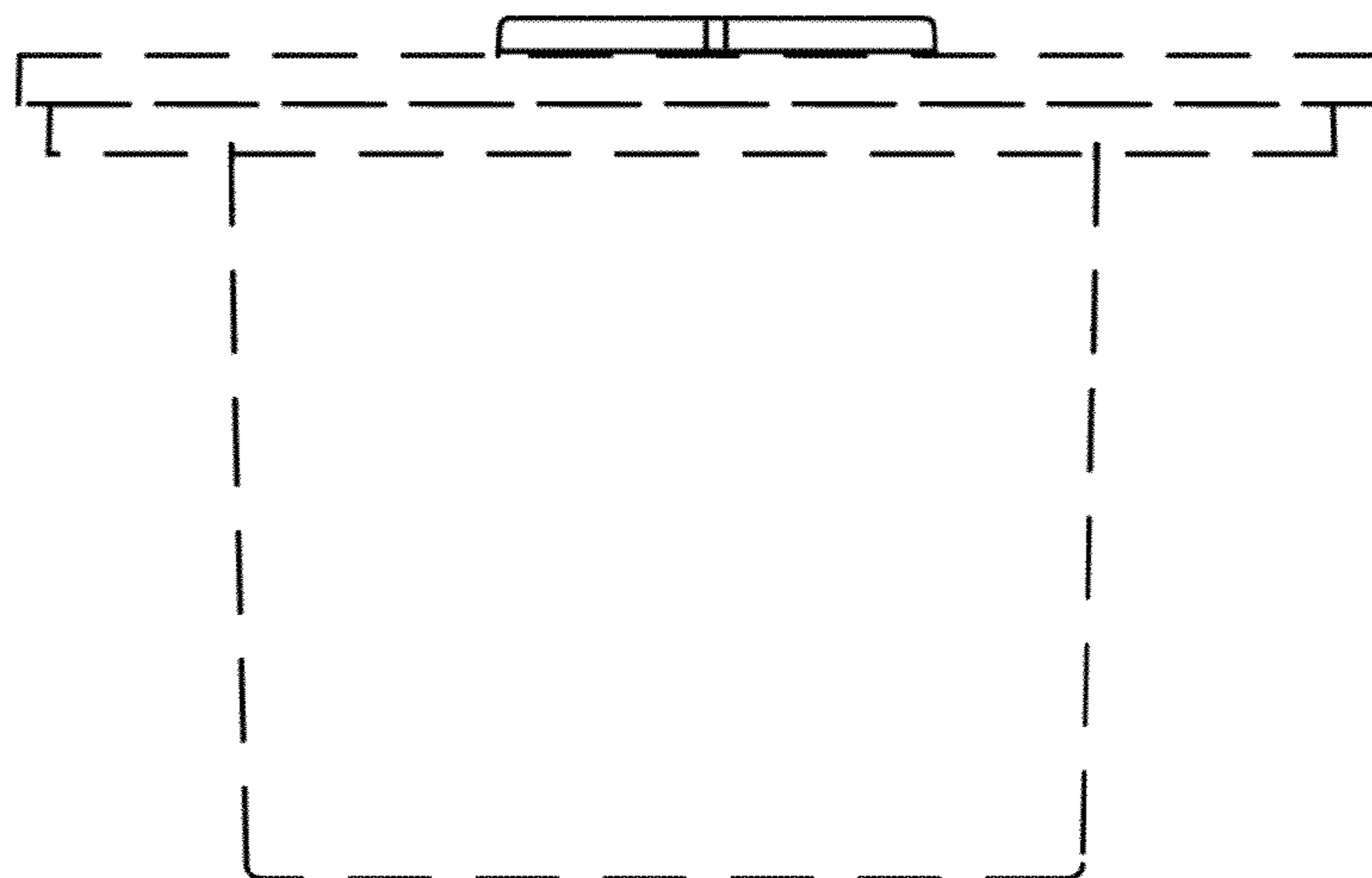


FIG. 12