



US00D731444S

(12) **United States Design Patent**
Todd

(10) **Patent No.:** **US D731,444 S**
(45) **Date of Patent:** **** Jun. 9, 2015**

- (54) **ROCKER SWITCH COVER**
- (71) Applicant: **Mark Todd**, Jacksonville, FL (US)
- (72) Inventor: **Mark Todd**, Jacksonville, FL (US)
- (**) Term: **14 Years**
- (21) Appl. No.: **29/435,964**
- (22) Filed: **Oct. 31, 2012**
- (51) **LOC (10) Cl.** **13-03**
- (52) **U.S. Cl.**
USPC **D13/173; D13/177**
- (58) **Field of Classification Search**
USPC D13/152, 156, 158, 169, 173, 174, 177;
D8/350, 353; 174/66; 200/43.16, 553,
200/277.2, 302.3, 315, 329, 330, 332, 333,
200/335, 339
See application file for complete search history.

5,934,451	A *	8/1999	Yu et al.	200/315
5,990,431	A *	11/1999	Wright	200/302.3
D466,870	S *	12/2002	Elliott	D13/177
D507,476	S *	7/2005	Zahedi et al.	D8/353
D514,922	S *	2/2006	Zahedi et al.	D8/350
7,214,898	B1 *	5/2007	Margareten	200/333
D707,639	S *	6/2014	Rego et al.	D13/173
D708,153	S *	7/2014	Todd	D13/177
8,809,710	B2 *	8/2014	Ulomek	200/302.3

* cited by examiner

Primary Examiner — Selina Sikder
(74) *Attorney, Agent, or Firm* — Steven R. Scott

(57) **CLAIM**
I claim the ornamental design for a rocker switch cover, as shown and described.

DESCRIPTION

FIG. 1 is a perspective view of the rocker switch cover of my design;
FIG. 2 is a left/right side view of the rocker switch cover of my design;
FIG. 3 is a top/bottom edge view of the rocker switch cover of my design; and,
FIG. 4 is a front view of the rocker switch cover of my design.

1 Claim, 3 Drawing Sheets

- (56) **References Cited**
U.S. PATENT DOCUMENTS
4,102,471 A * 7/1978 Lore et al. 220/242
D351,376 S * 10/1994 Hughes D13/177
D360,876 S * 8/1995 Hughes D13/177

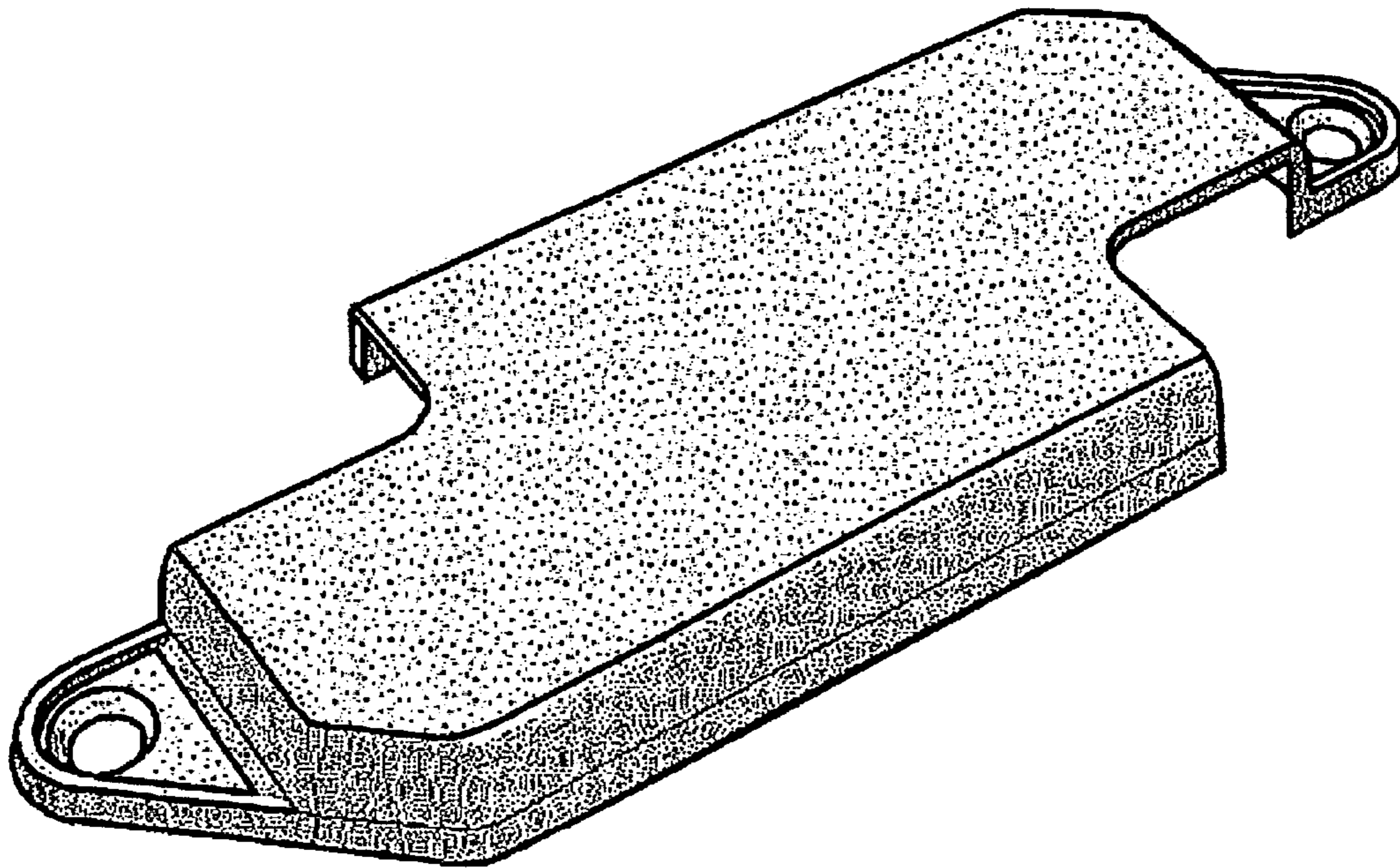


FIG. 1

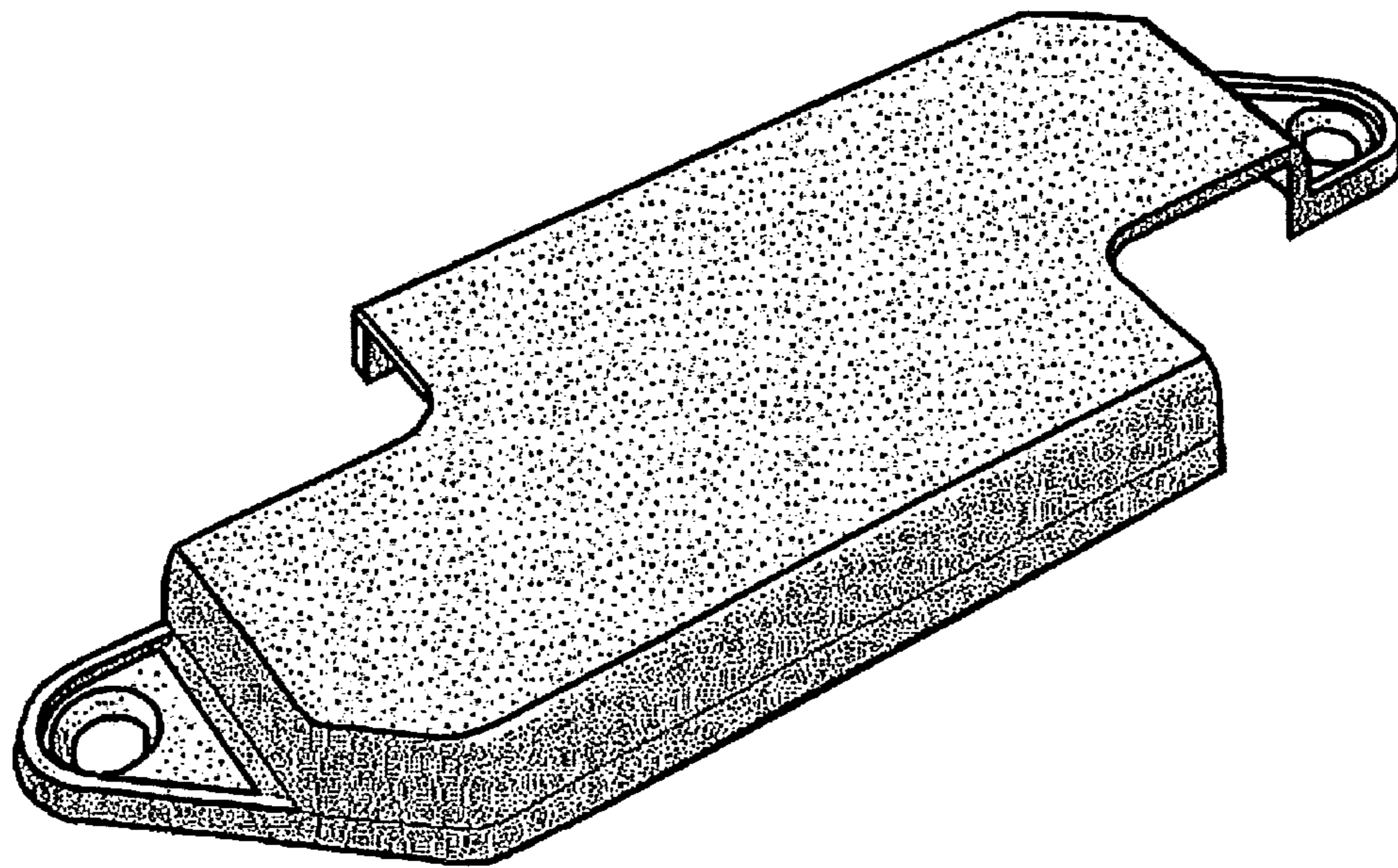


FIG. 2

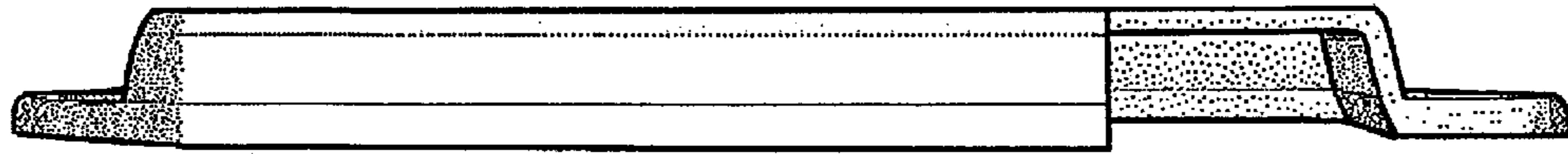


FIG. 3

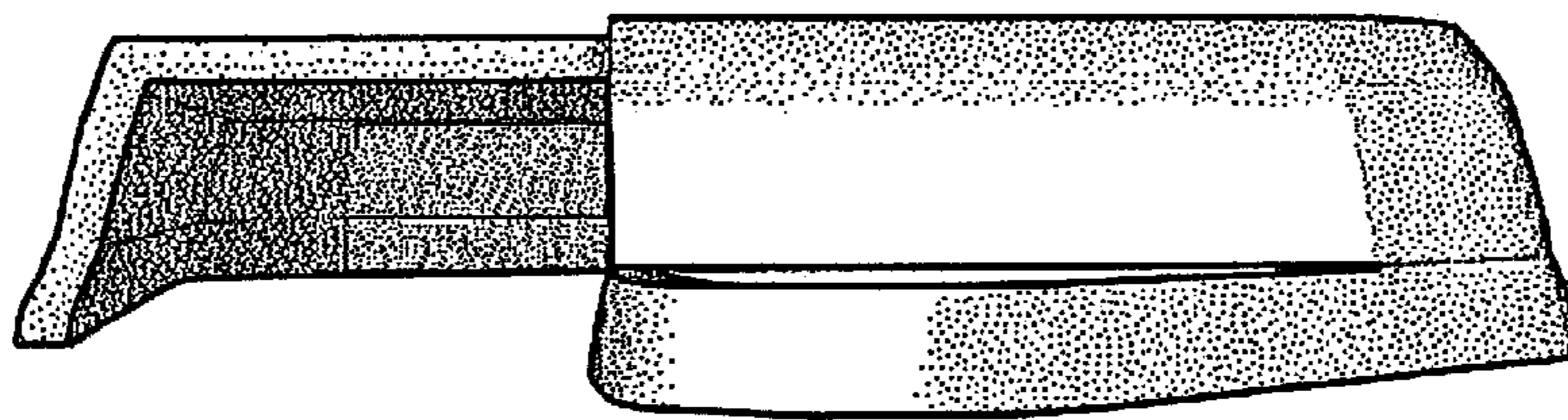


FIG. 4

