



US00D731443S

(12) **United States Design Patent**
Sakai

(10) **Patent No.:** **US D731,443 S**

(45) **Date of Patent:** **** Jun. 9, 2015**

(54) **REMOTE CONTROLLER**
(71) Applicant: **Yuki Sakai**, Chiyoda-ku (JP)
(72) Inventor: **Yuki Sakai**, Chiyoda-ku (JP)
(73) Assignee: **Mitsubishi Electric Corporation**,
Tokyo (JP)

(**) Term: **14 Years**
(21) Appl. No.: **29/440,799**
(22) Filed: **Dec. 27, 2012**

(30) **Foreign Application Priority Data**
Jul. 17, 2012 (JP) 2012-016875
Jul. 17, 2012 (JP) 2012-016876
(51) **LOC (10) Cl.** **13-03**
(52) **U.S. Cl.**
USPC **D13/168**
(58) **Field of Classification Search**
USPC D13/168; D10/49, 50, 104.1, 106.1;
D14/203.7, 341, 496; 165/238;
315/158, 295; 340/4.3, 4.42, 12.22,
340/12.23, 12.24, 12.29, 12.3, 13.2, 13.21,
340/13.24; 341/176; 236/49.3, 46 R, 51, 1 C,
236/94; 348/734; 455/352; 700/17, 65, 83,
700/86, 276, 277
See application file for complete search history.

(56) **References Cited**
U.S. PATENT DOCUMENTS
D409,200 S * 5/1999 Cooper D14/218
D501,463 S * 2/2005 Hisatsune D14/218
D518,744 S * 4/2006 Rosen D10/50
D582,800 S * 12/2008 Comerford et al. D10/50

D582,802 S * 12/2008 Branson et al. D10/50
D630,169 S * 1/2011 Nakai et al. D13/168
D635,556 S * 4/2011 Suzuki D14/218
D648,641 S * 11/2011 Wallaert et al. D10/50
D661,662 S * 6/2012 Kikuchi et al. D13/168
D678,218 S * 3/2013 Sheen D13/168
D678,219 S * 3/2013 Higashijima et al. D13/168
D696,636 S * 12/2013 Sakai D13/168

* cited by examiner
Primary Examiner — Selina Sikder
(74) *Attorney, Agent, or Firm* — Sughrue Mion, PLLC

(57) **CLAIM**
The ornamental design for a remote controller, as shown and described.

DESCRIPTION
FIG. 1 is a front, top and right side perspective view of a remote controller, showing my new design;
FIG. 2 is a rear, bottom and left side perspective view thereof;
FIG. 3 is a front elevational view thereof;
FIG. 4 is a rear elevational view thereof;
FIG. 5 is a left side elevational view thereof;
FIG. 6 is a right side elevational view thereof;
FIG. 7 is a top plan view thereof;
FIG. 8 is a bottom plan view thereof;
FIG. 9 is a reference vertical cross-sectional view thereof; taken in the direction of line 9-9 in FIG. 3, with broken line disclosure of internal elements understood to represent unclaimed portions of the article in which the claimed design is embodied; and,
FIG. 10 is a reference horizontal cross-sectional view thereof; taken in the direction of line 10-10 in FIG. 3, with broken line disclosure of internal elements understood to represent unclaimed portions of the article in which the claimed design is embodied.

1 Claim, 8 Drawing Sheets

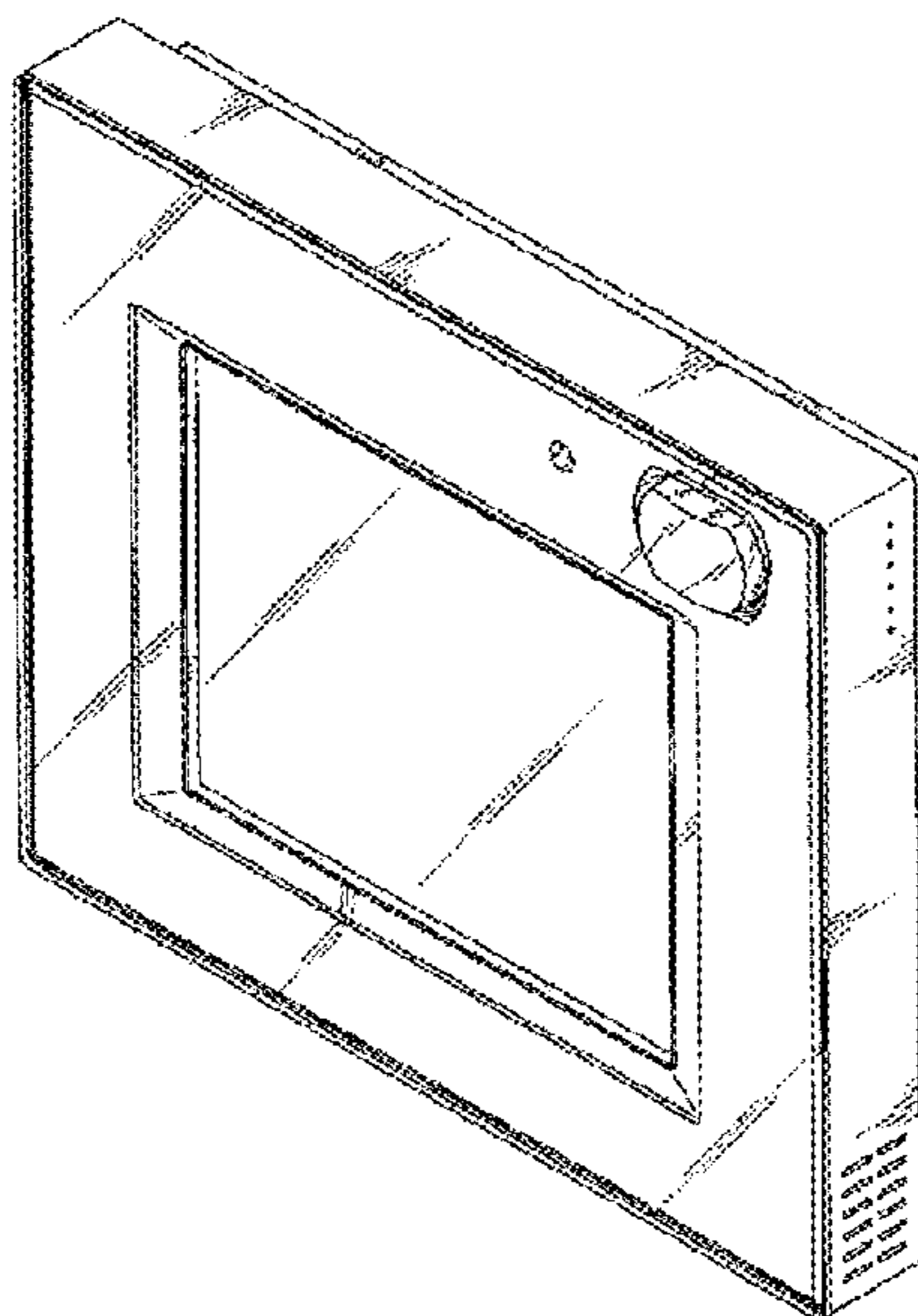


Fig. 1

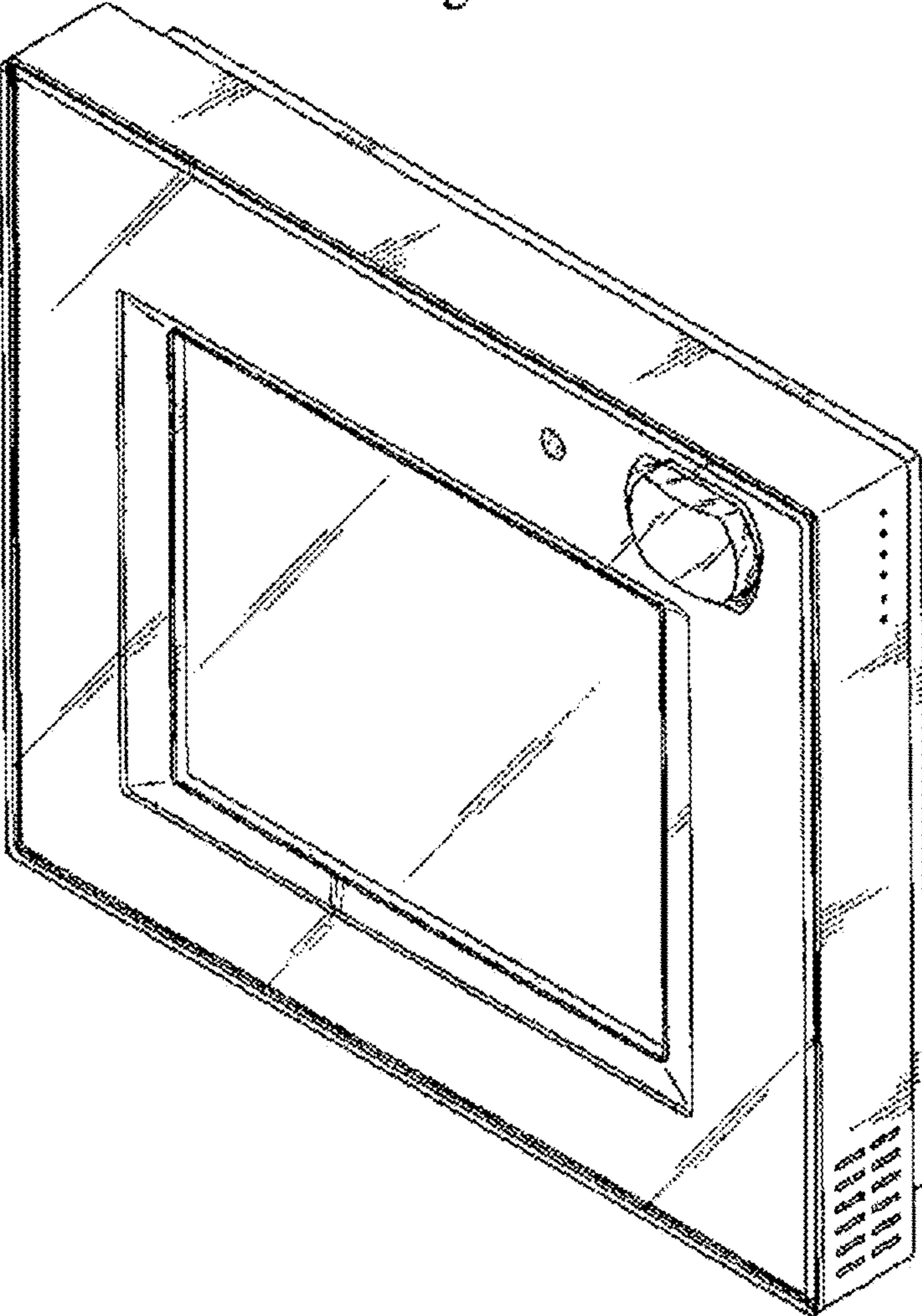


Fig. 2

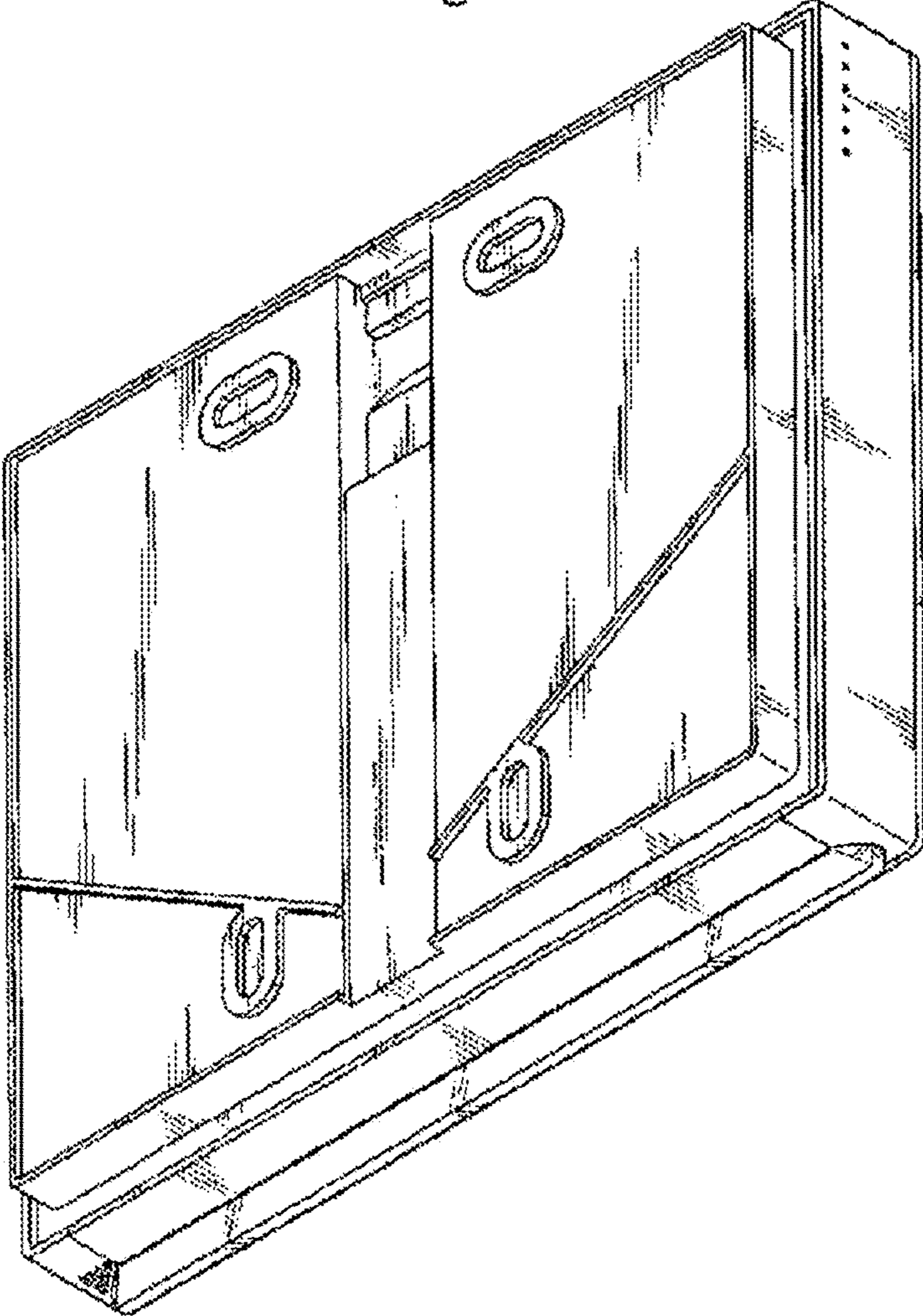


Fig. 3

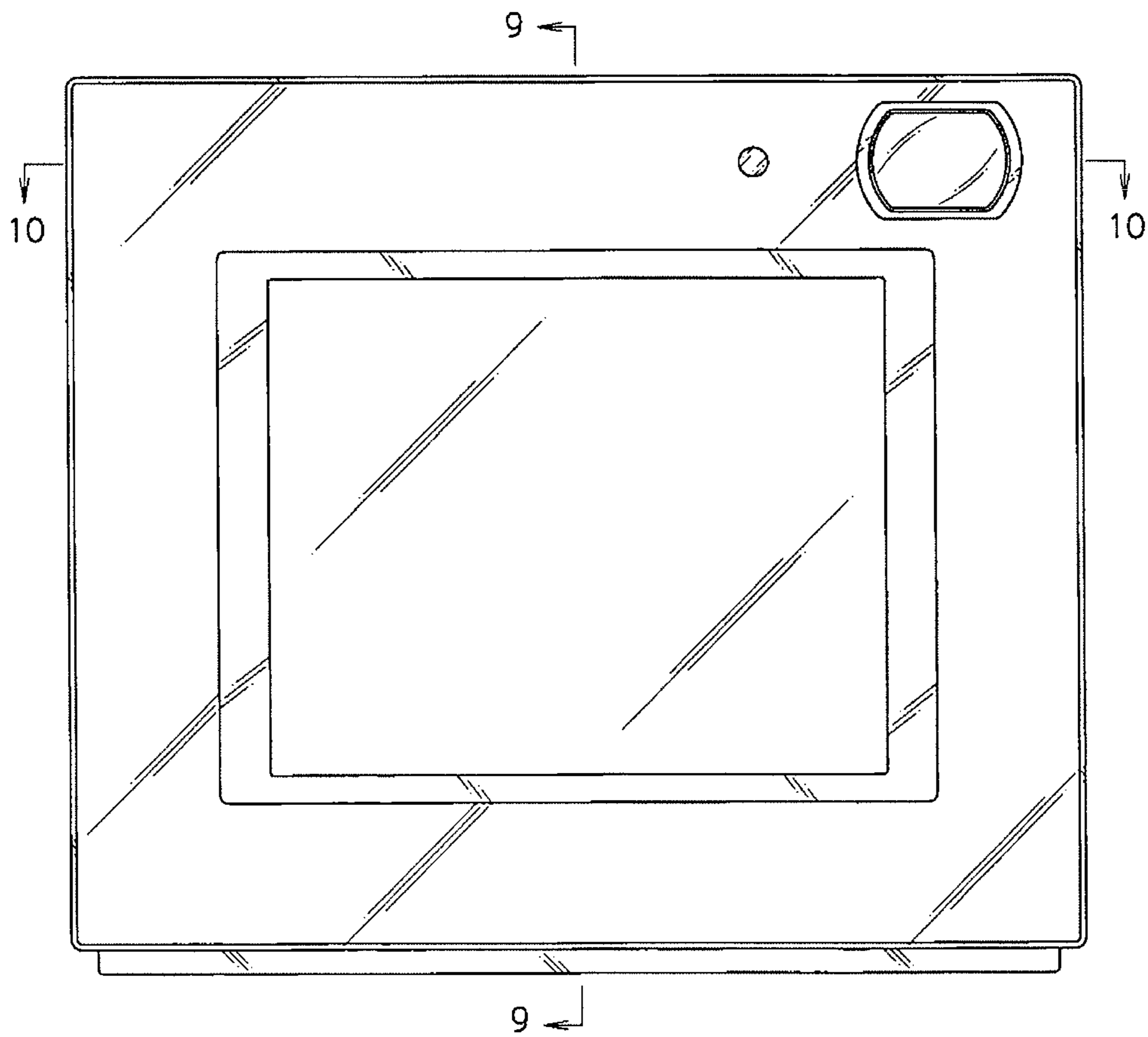


Fig. 4

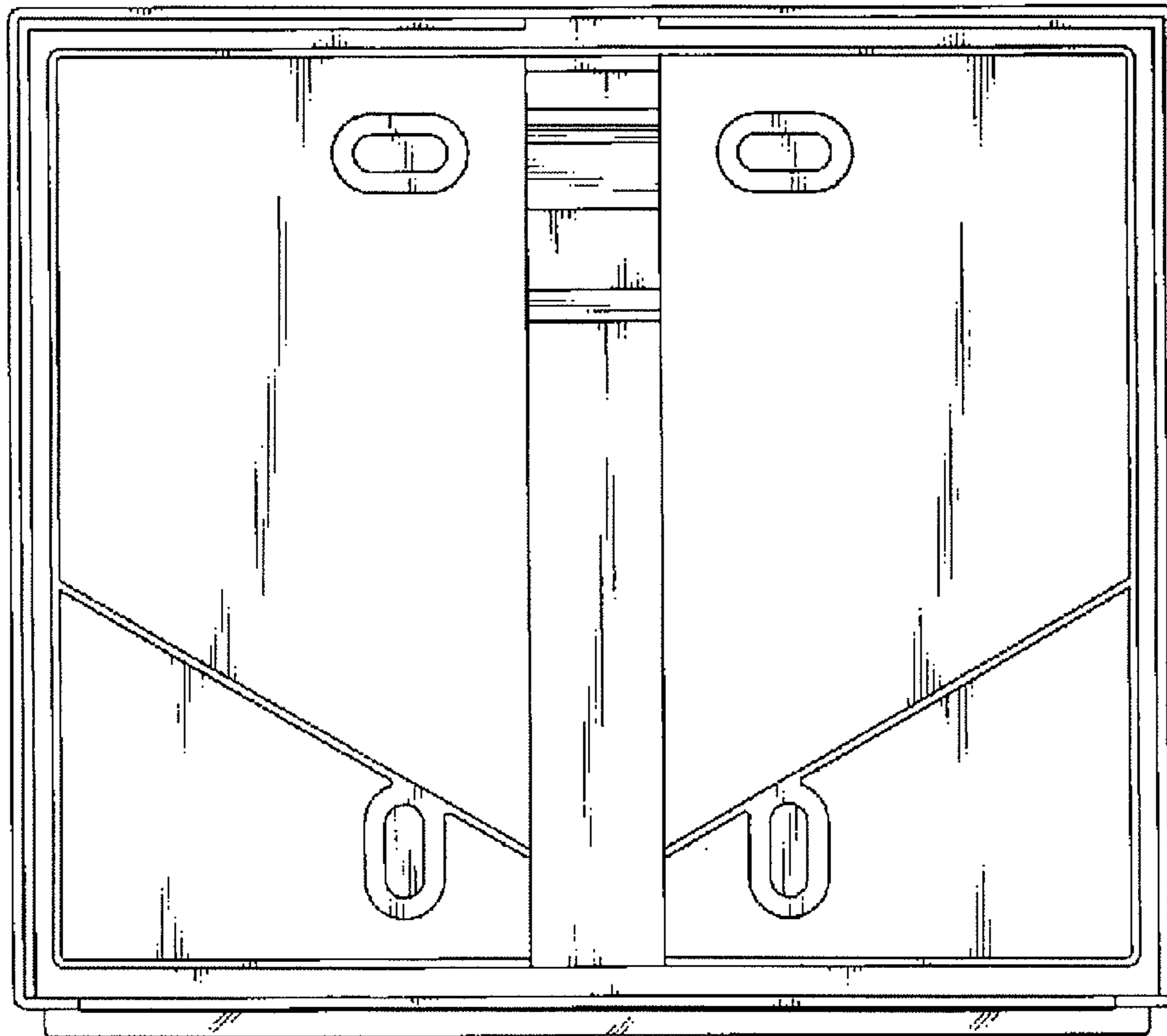


Fig. 5

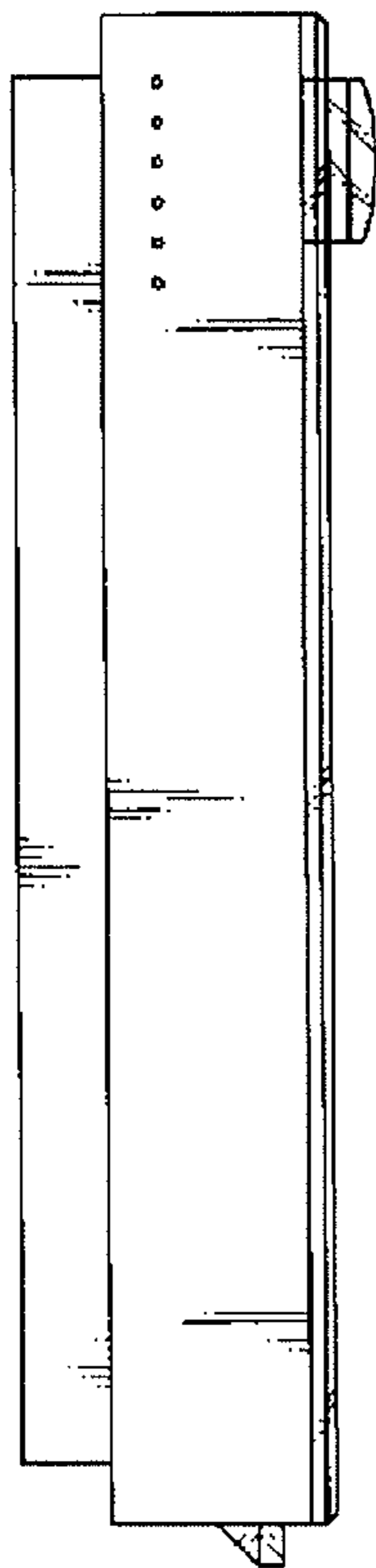


Fig. 6

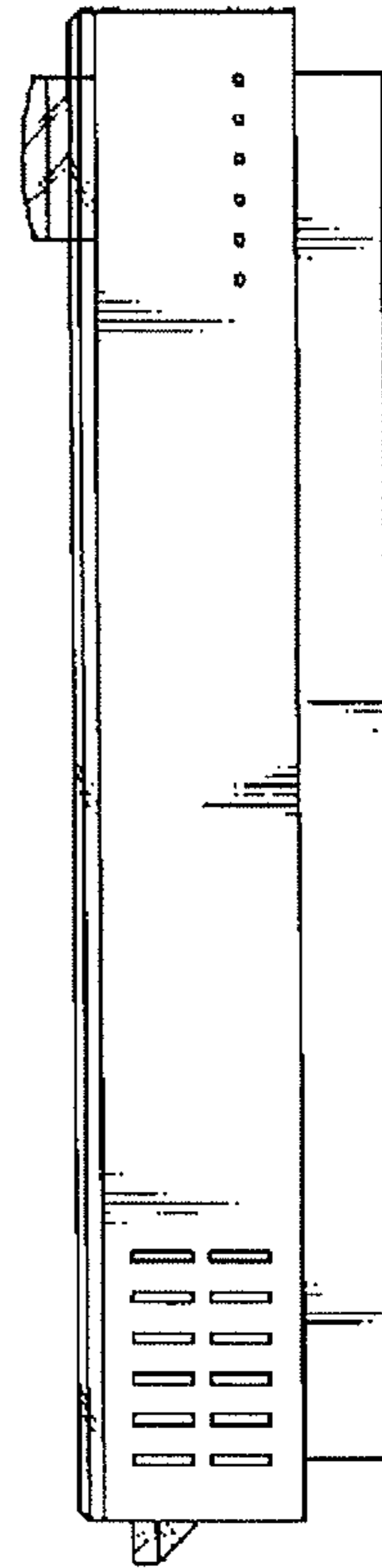


Fig. 7

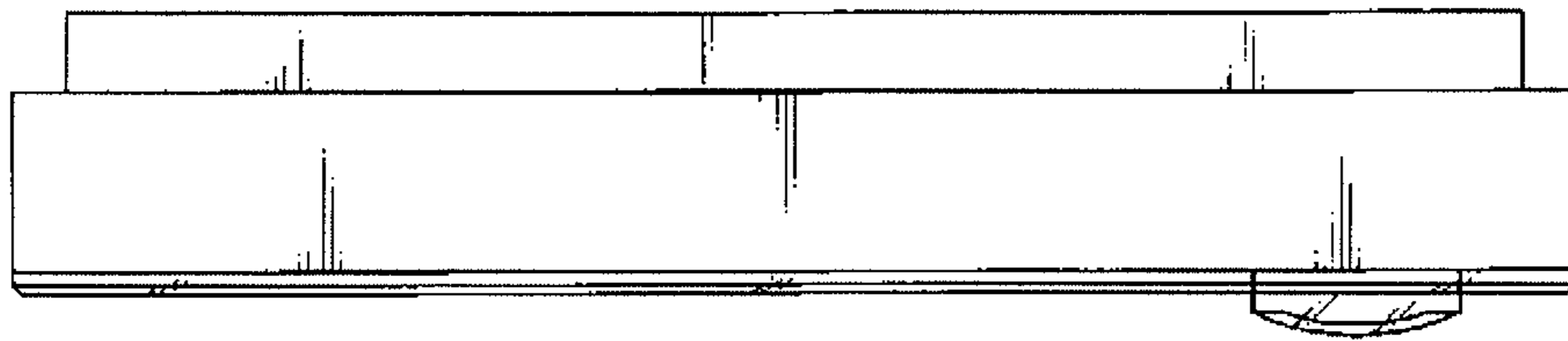


Fig. 8

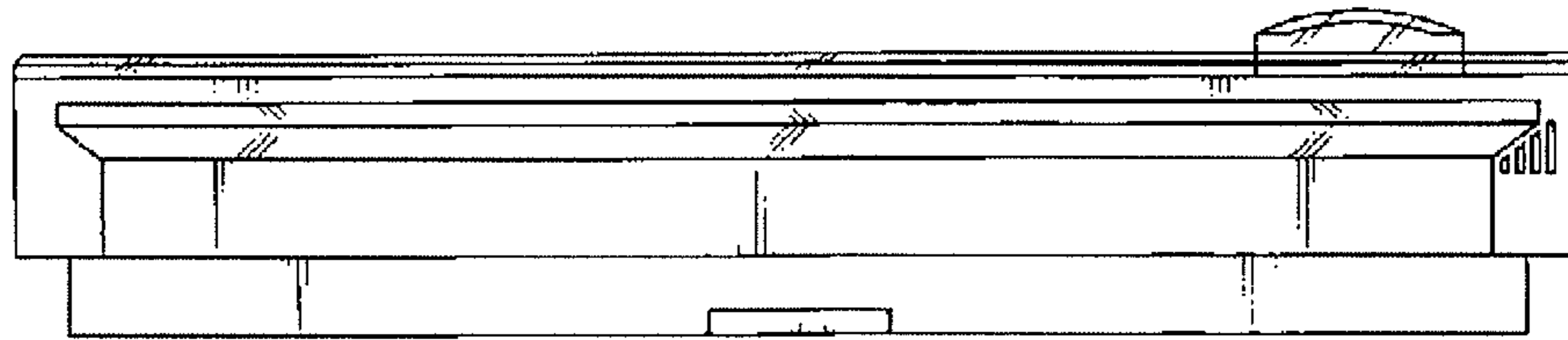


Fig. 9

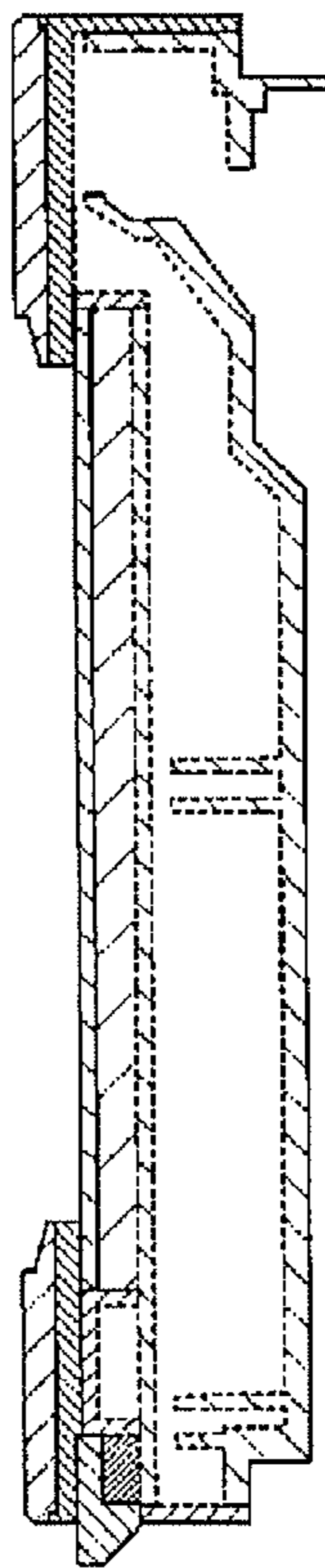


Fig. 10

