



US00D731441S

(12) **United States Design Patent**  
**Cloran et al.**

(10) **Patent No.:** **US D731,441 S**  
(45) **Date of Patent:** **\*\* Jun. 9, 2015**

(54) **CABLE ACTUATED SWITCH OPERATING DEVICE**

(71) Applicant: **ROCKWELL AUTOMATION TECHNOLOGIES, INC.**, Mayfield Heights, OH (US)

(72) Inventors: **Shawn D. Cloran**, Wauwatosa, WI (US); **Edward Byaliy**, Mequon, WI (US); **Christopher J Wieloch**, Brookfield, WI (US)

(73) Assignee: **Rockwell Automation Technologies, Inc.**, Mayfield Heights, OH (US)

(\*\*) Term: **14 Years**

(21) Appl. No.: **29/485,569**

(22) Filed: **Mar. 20, 2014**

(51) **LOC (10) Cl.** ..... **13-03**

(52) **U.S. Cl.**  
USPC ..... **D13/158**

(58) **Field of Classification Search**  
USPC ..... D13/110, 112, 122-133, 158-161, 184, D13/199; D15/143, 148, 199; 310/10, 12, 310/15, 40 R, 300; 315/152, 158, 560; 361/622, 627, 628, 643  
CPC ..... A63H 33/101; A63H 29/00; A63H 30/00; A63H 30/005; H01B 17/00; H01B 17/56; H01H 2003/008; F16C 1/101; F16C 1/22; F16C 11/00; F16C 1/10; H01R 13/057; H01R 13/424; H01R 13/432; H01R 13/5205  
See application file for complete search history.

(56) **References Cited**

**U.S. PATENT DOCUMENTS**

D240,432	S	*	7/1976	Oka et al.	.....	D13/125
D240,636	S	*	7/1976	Haubein	.....	D13/158
5,266,056	A	*	11/1993	Baderschneider et al.	...	439/745
5,428,196	A		6/1995	Beatty, Jr. et al.		
D392,251	S	*	3/1998	Altman et al.	.....	D13/110
D399,830	S	*	10/1998	Nagai et al.	.....	D13/158

D401,226	S	*	11/1998	Inoko	.....	D13/184
5,973,279	A		10/1999	Turner et al.		
6,504,460	B2		1/2003	DeGrazia et al.		
6,642,463	B1		11/2003	Turner		
D499,698	S	*	12/2004	Ramirez	.....	D13/110
D614,144	S	*	4/2010	Arosio	.....	D13/166
D636,798	S	*	4/2011	Fukano et al.	.....	D15/143
D695,798	S	*	12/2013	Wu	.....	D15/143
D704,238	S	*	5/2014	Fukano et al.	.....	D15/143
2009/0175676	A1	*	7/2009	Ficyk	.....	403/123
2013/0330118	A1	*	12/2013	Van Dyne	.....	403/109.2

\* cited by examiner

*Primary Examiner* — Thomas Johannes

*Assistant Examiner* — Shawn T Gingrich

(74) *Attorney, Agent, or Firm* — Boyle Fredrickson, S.C.

(57) **CLAIM**

The ornamental design for a cable actuated switch operating device, substantially as shown and described.

**DESCRIPTION**

FIG. 1 is a perspective view of a cable actuated switch operating device according to one embodiment of the present invention;

FIG. 2 is a front side elevation view thereof;

FIG. 3 is a left side elevation view thereof;

FIG. 4 is a top plan view thereof;

FIG. 5 is a rear side elevation view thereof;

FIG. 6 is a right side elevation view thereof;

FIG. 7 is a bottom plan view thereof;

FIG. 8 is a perspective view thereof showing an alternate unclaimed usage environment;

FIG. 9 is a front side elevation view thereof;

FIG. 10 is a left side elevation view thereof;

FIG. 11 is a top plan view thereof;

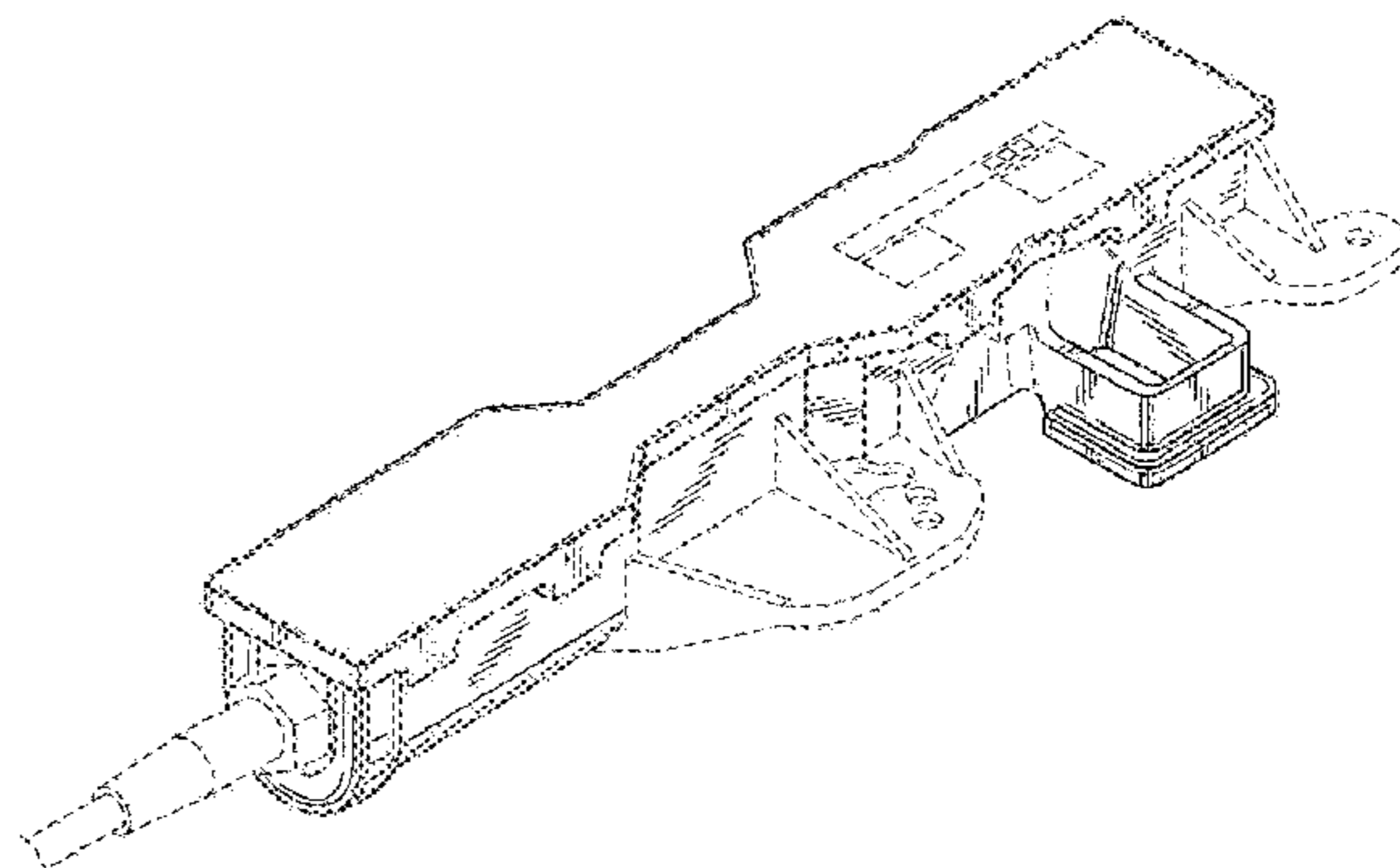
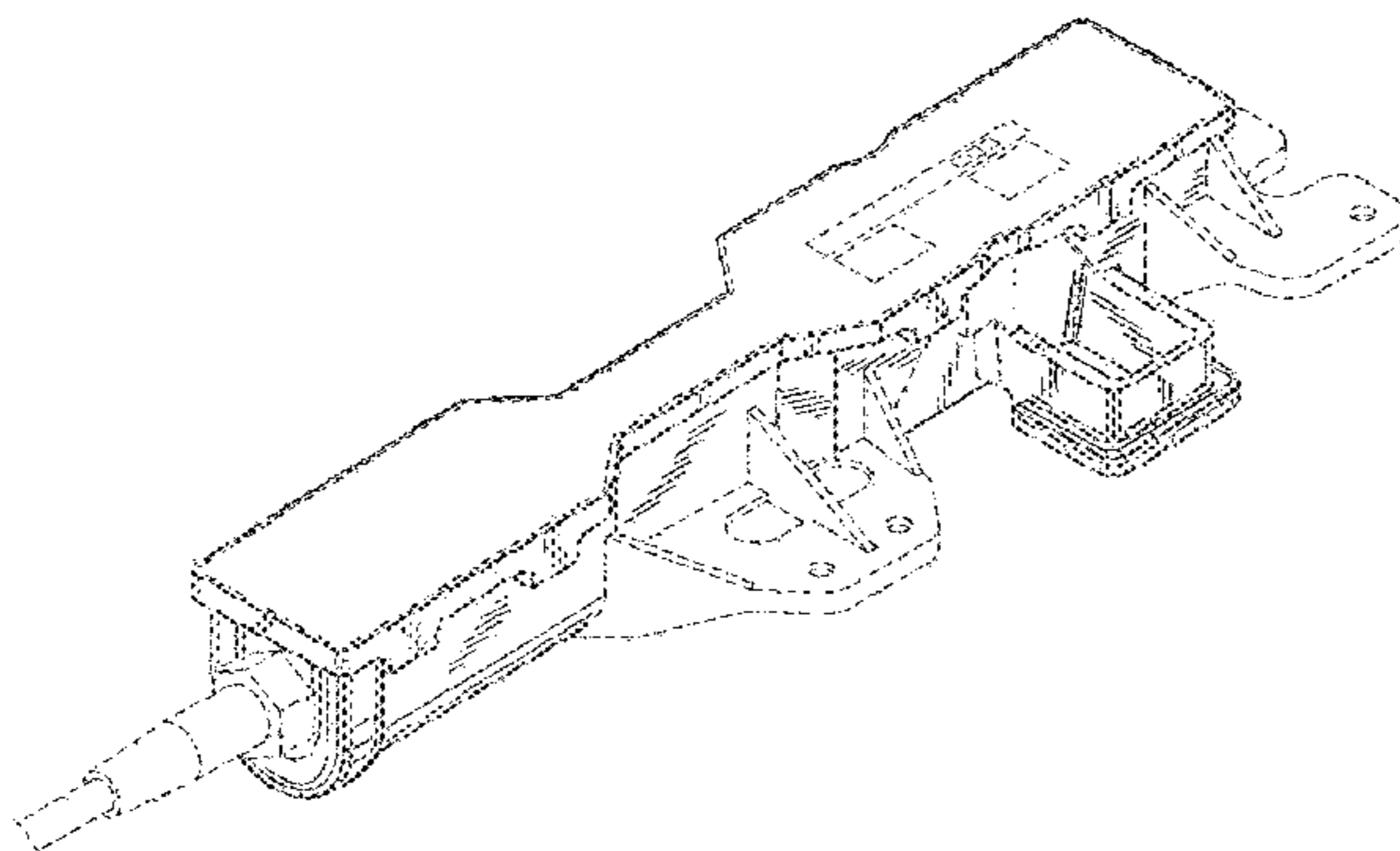
FIG. 12 is a rear side elevation view thereof;

FIG. 13 is a right side elevation view thereof; and,

FIG. 14 is a bottom plan view thereof.

The broken line portion of the figure drawings is included to show unclaimed subject matter only and forms no part of the claimed design.

**1 Claim, 6 Drawing Sheets**



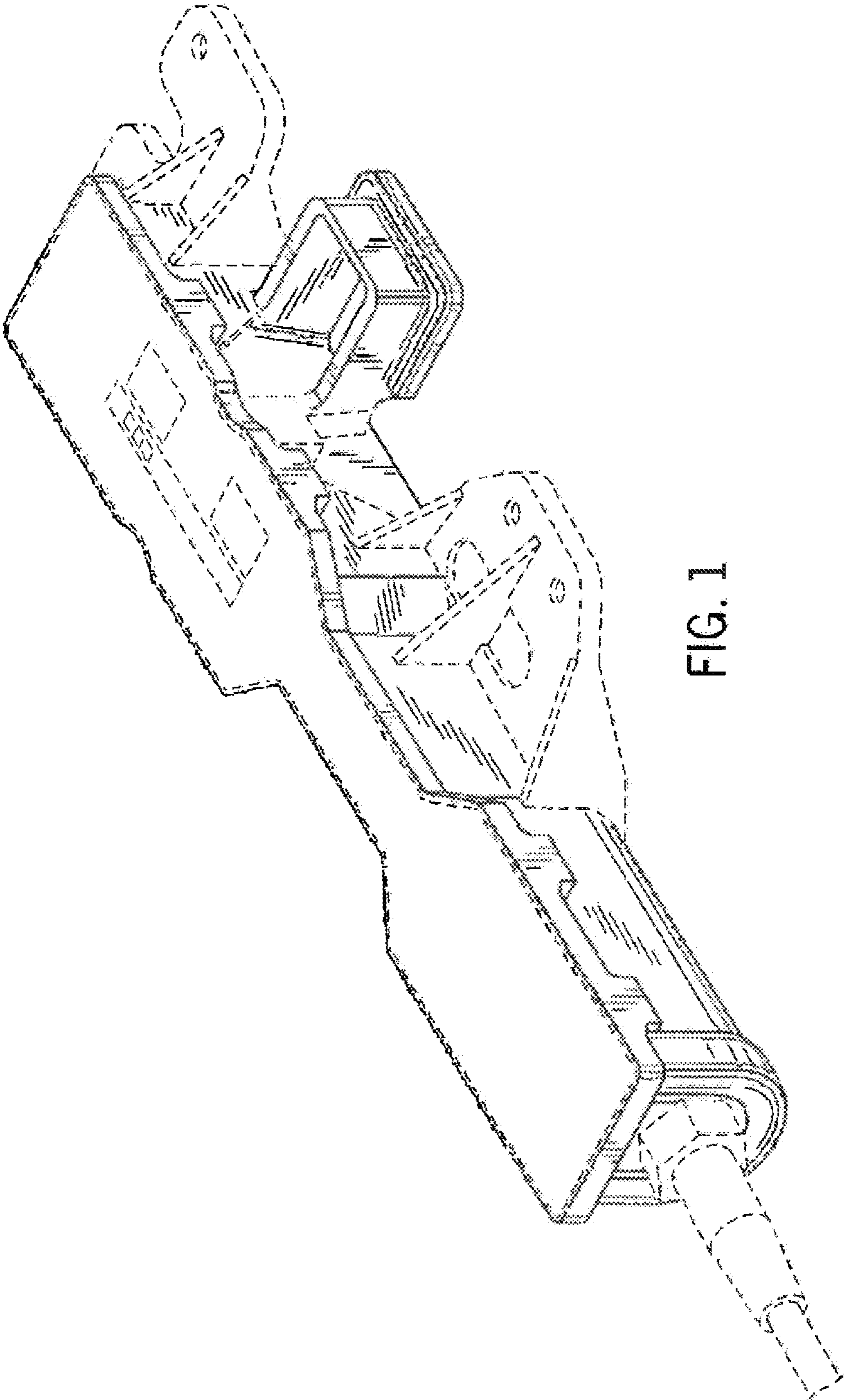


FIG. 1

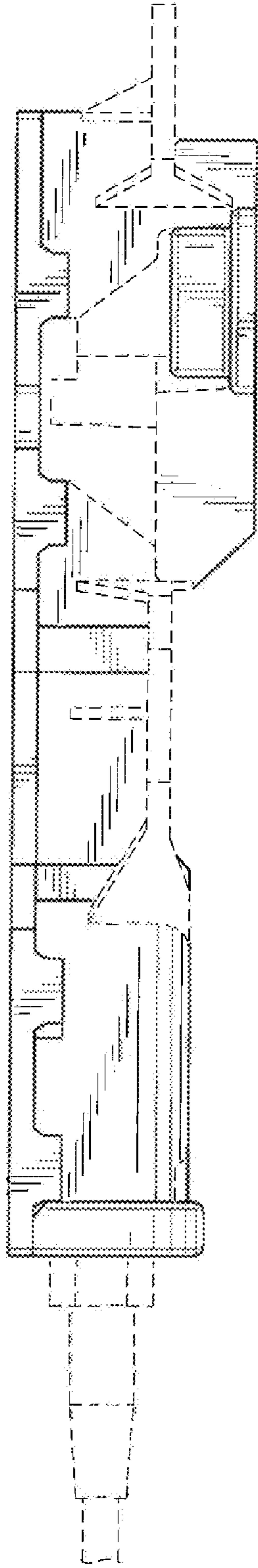


FIG. 2

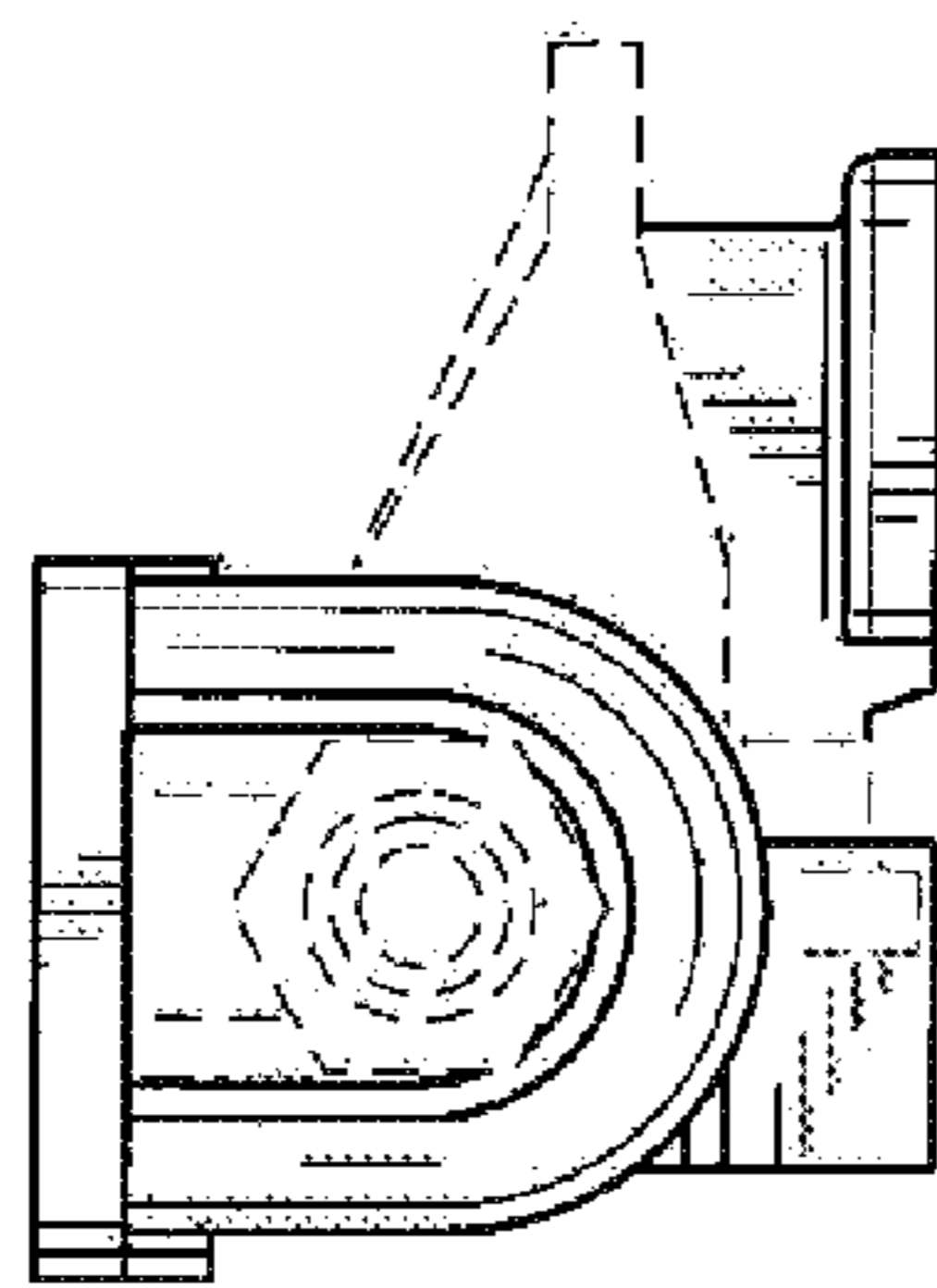
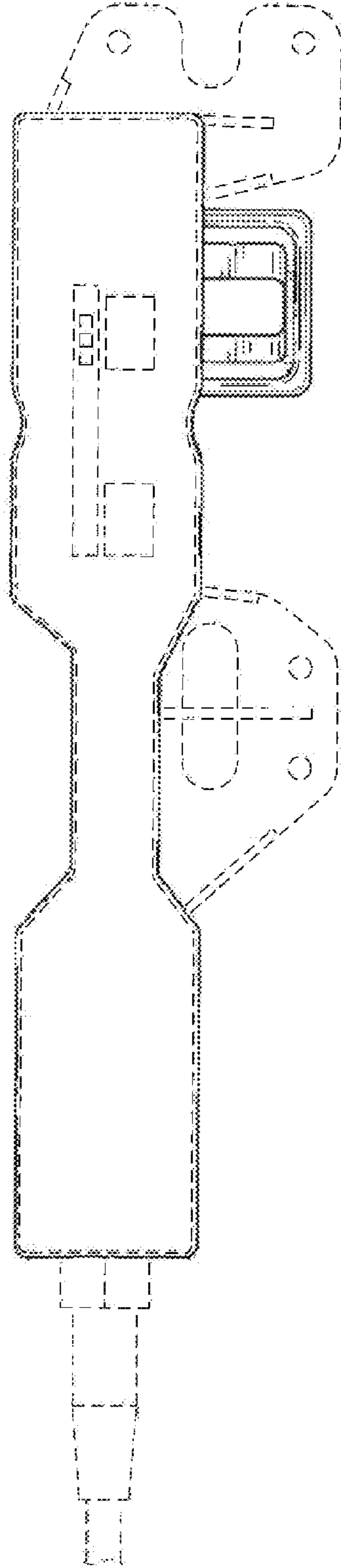


FIG. 3

FIG. 4



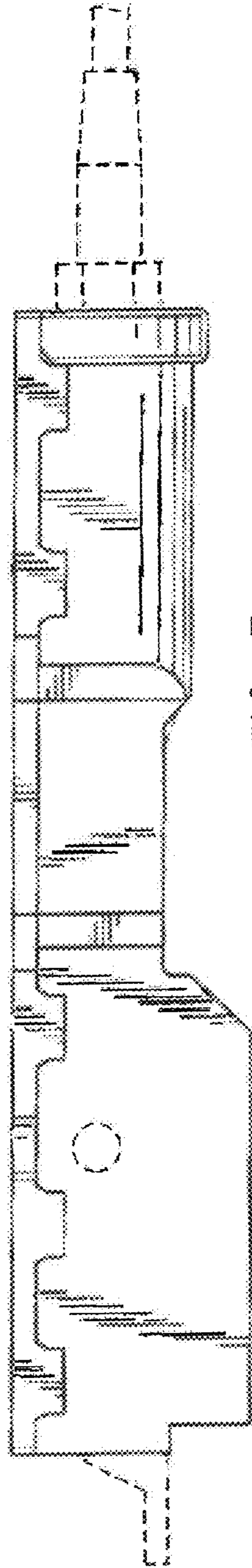


FIG. 5

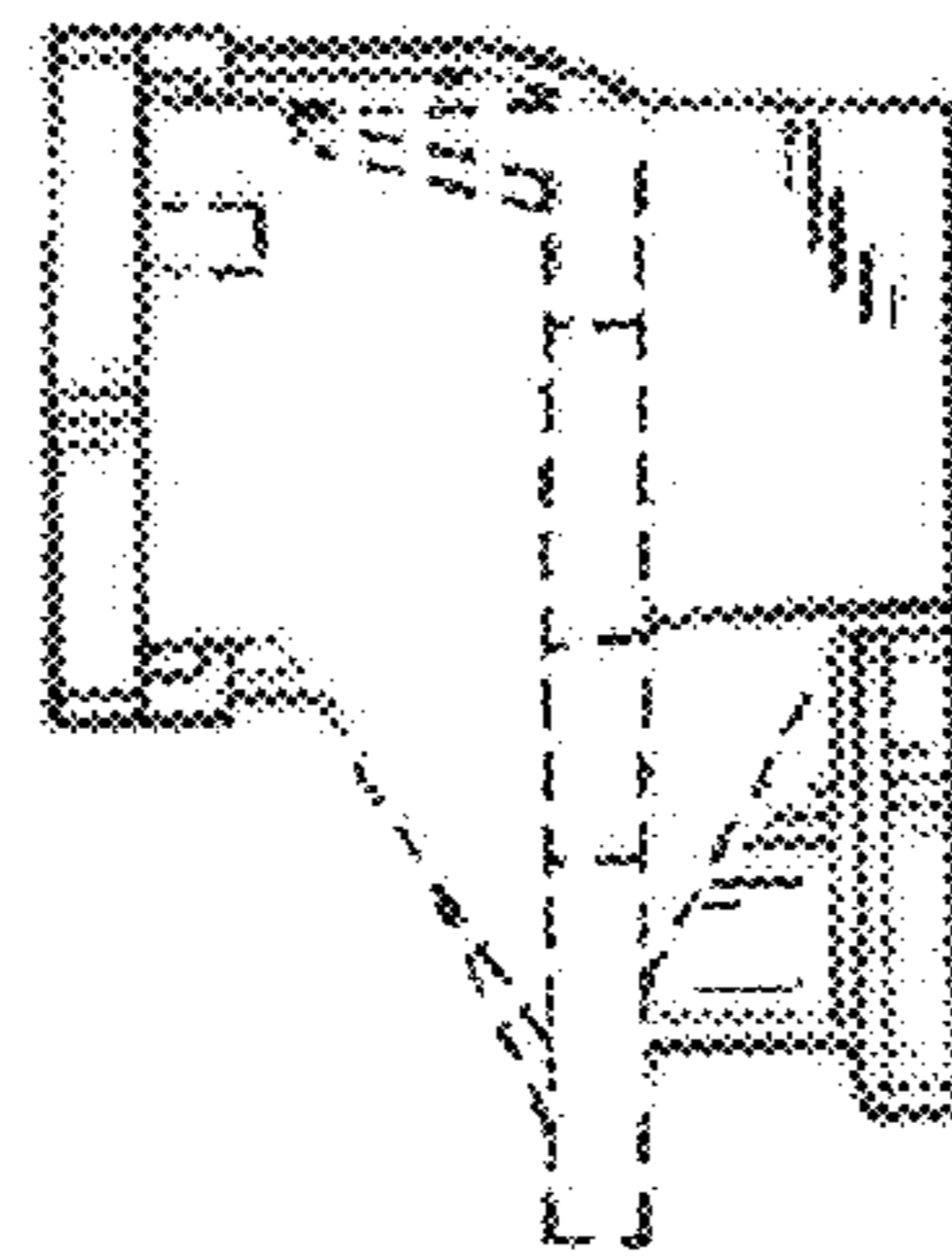


FIG. 6

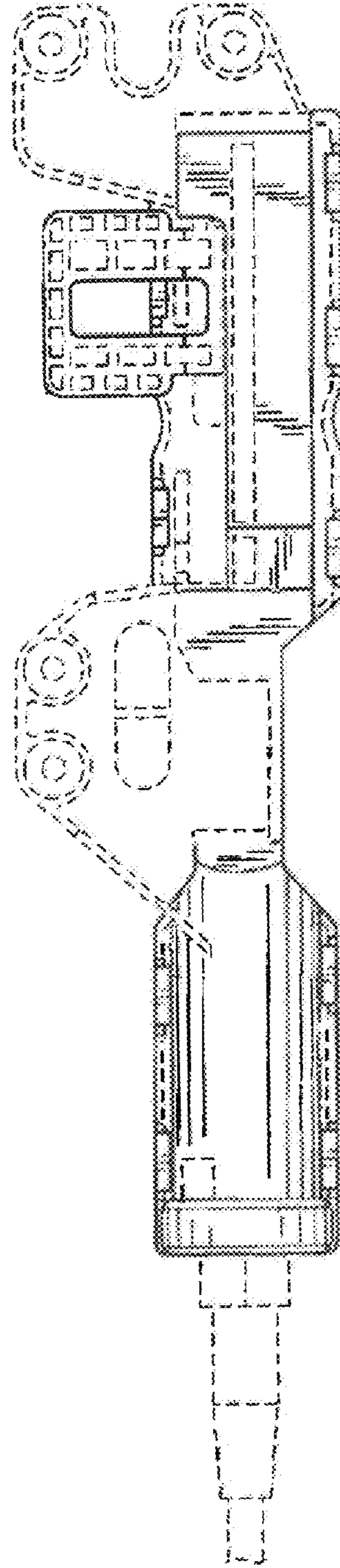


FIG. 7

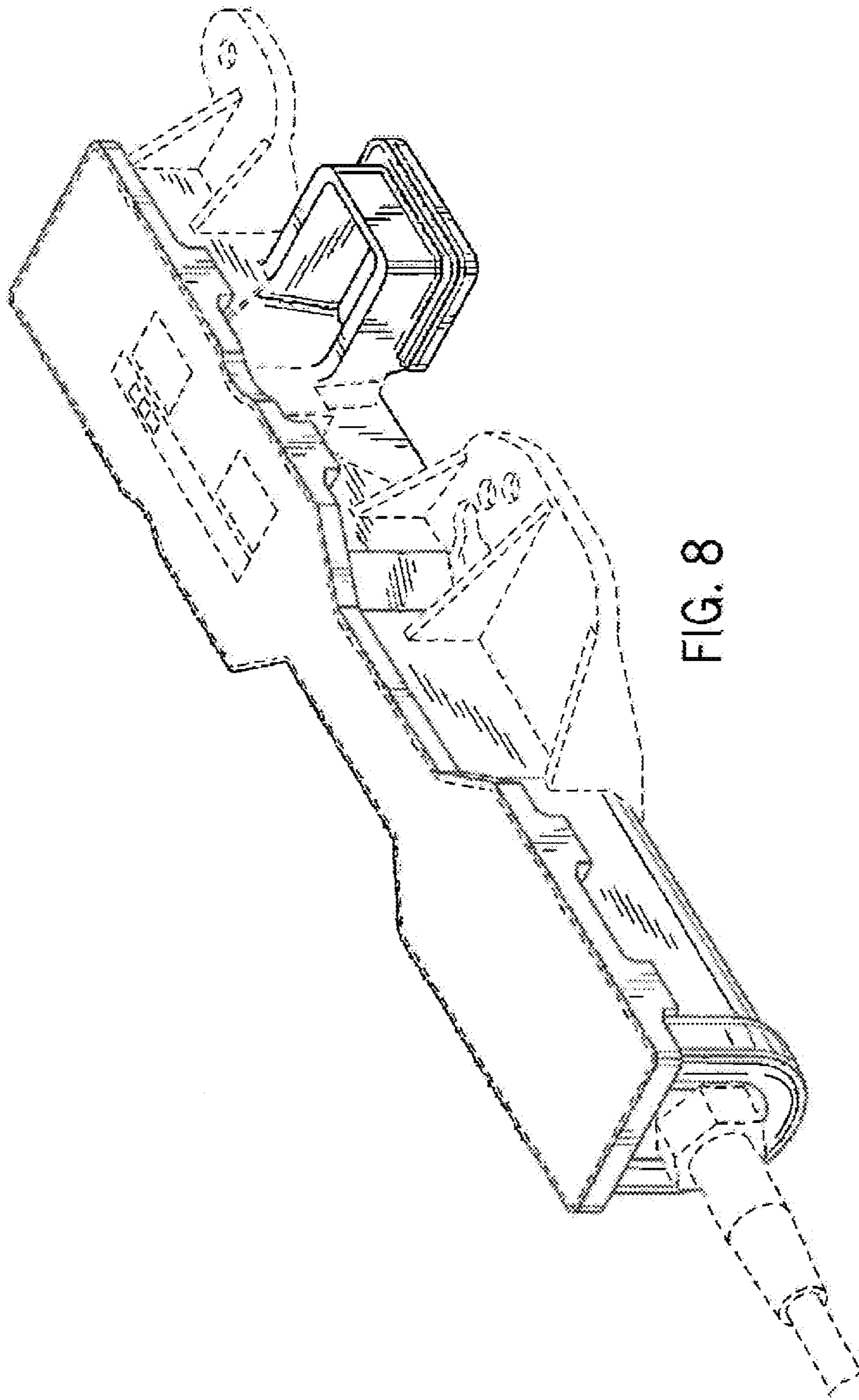


FIG. 8



FIG. 9

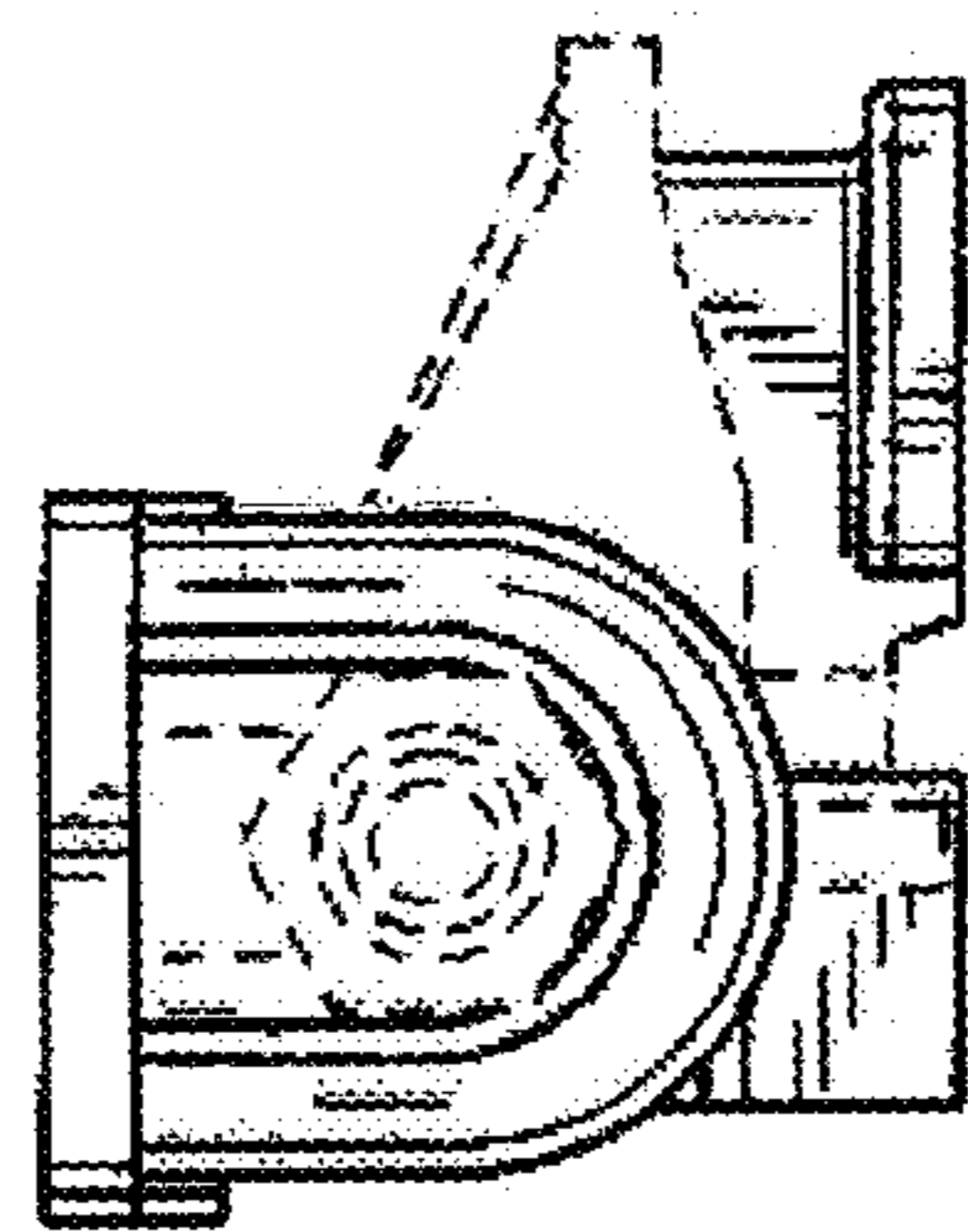


FIG. 10

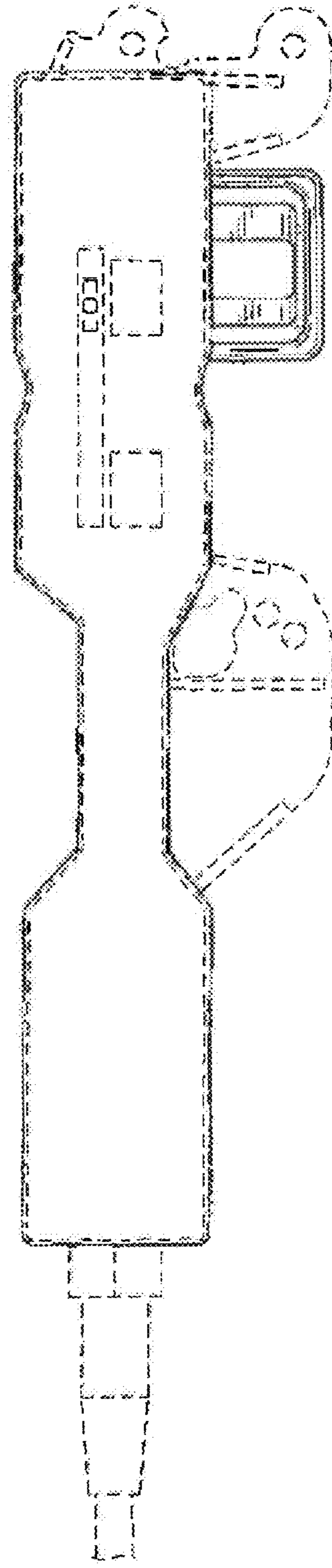


FIG. 11

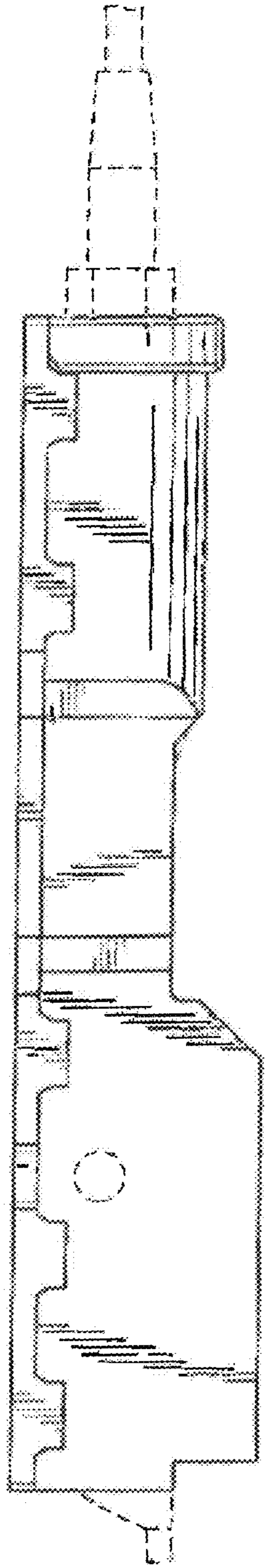


FIG. 12

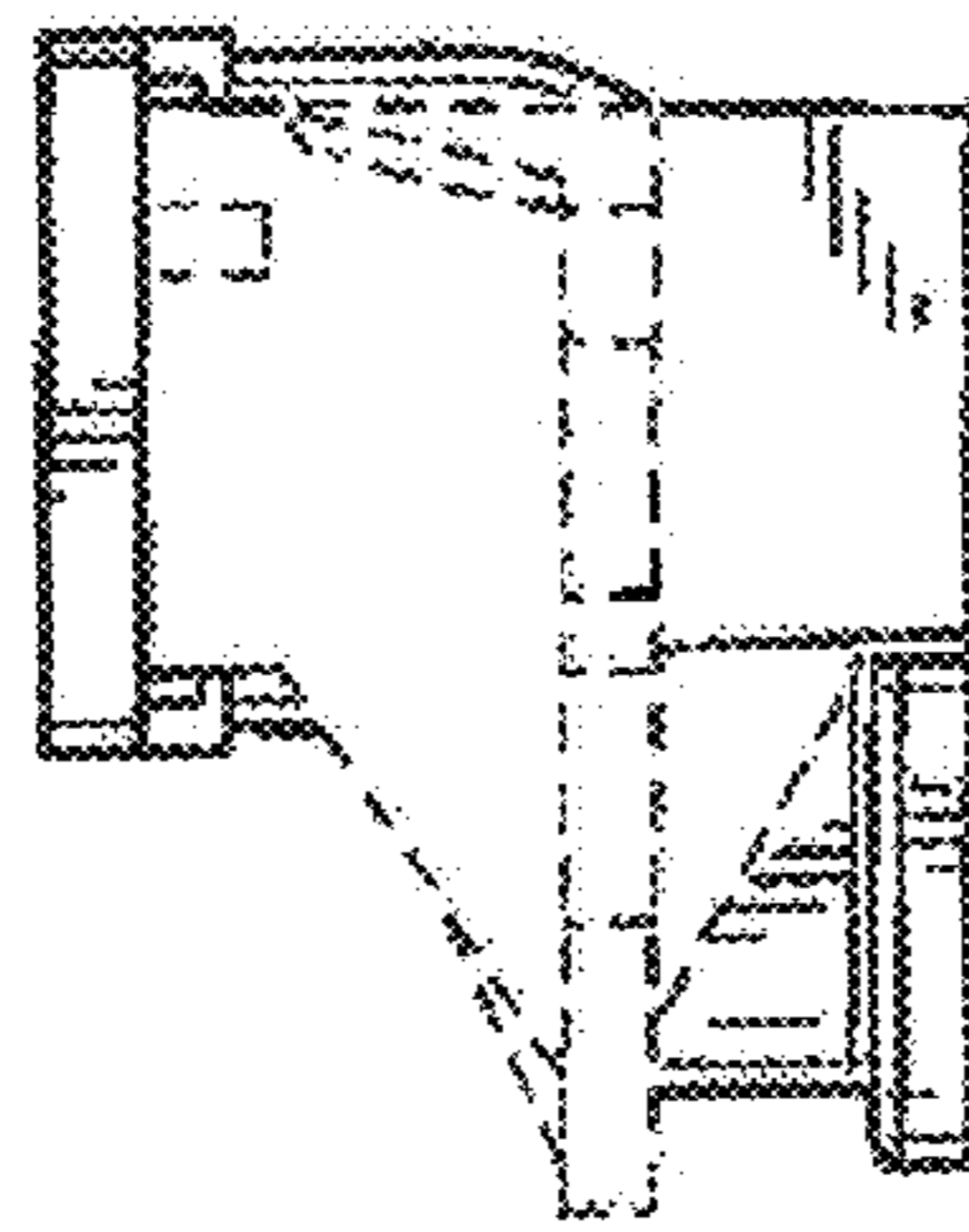


FIG. 13

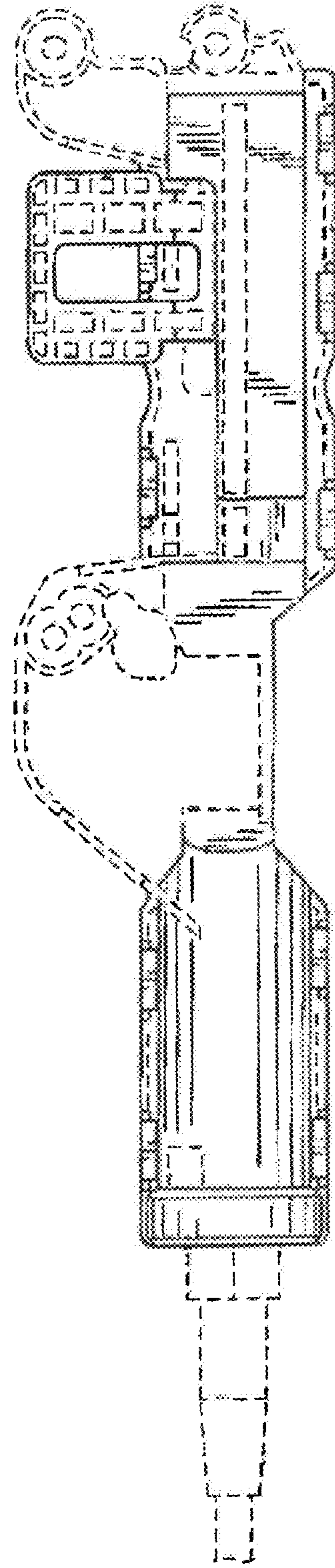


FIG. 14