

US00D731437S

(12) **United States Design Patent**
Buck et al.

(10) **Patent No.:** **US D731,437 S**
(45) **Date of Patent:** **** Jun. 9, 2015**

(54) **VERTICAL ELECTRICAL CONNECTOR HOUSING**

(71) Applicants: **Jonathan E. Buck**, Milpitas, CA (US);
Stuart C. Stoner, Lewisberry, PA (US);
Steven E. Minich, York, PA (US);
Douglas M. Johnescu, York, PA (US);
Stephen B. Smith, Mechanicsburg, PA (US)

(72) Inventors: **Jonathan E. Buck**, Milpitas, CA (US);
Stuart C. Stoner, Lewisberry, PA (US);
Steven E. Minich, York, PA (US);
Douglas M. Johnescu, York, PA (US);
Stephen B. Smith, Mechanicsburg, PA (US)

(73) Assignee: **FCI AMERICAS TECHNOLOGY LLC**, Carson City, NV (US)

(**) Term: **14 Years**

(21) Appl. No.: **29/496,690**

(22) Filed: **Jul. 16, 2014**

Related U.S. Application Data

(62) Division of application No. 29/443,206, filed on Jan. 14, 2013, now Pat. No. Des. 713,346.

(51) **LOC (10) Cl.** **13-03**

(52) **U.S. Cl.**
USPC **D13/154**

(58) **Field of Classification Search**
USPC D13/133, 146, 147, 154, 184, 199;
439/74, 108, 180, 246, 252, 258, 278,
439/374, 378, 379, 381, 527, 529, 533, 660,
439/717, 865-894, 953; 174/16.3; 257/697,
257/727; 361/769

See application file for complete search history.

(56) **References Cited**

U.S. PATENT DOCUMENTS

D210,829 S 4/1968 Hanlon
D213,697 S 4/1969 Oxley

(Continued)

OTHER PUBLICATIONS

U.S. Appl. No. 29/498,817, filed Aug. 8, 2014, Buck et al.

(Continued)

Primary Examiner — Daniel Bui

(74) *Attorney, Agent, or Firm* — Baker & Hostetler LLP

(57) **CLAIM**

The ornamental design for a vertical electrical connector housing, as shown and described.

DESCRIPTION

FIG. 1 is a top, left, rear perspective view of a vertical electrical connector housing according to one embodiment of our design;

FIG. 2 is a bottom, left, rear perspective view thereof;

FIG. 3 is a top, left, front perspective view thereof;

FIG. 4 is a bottom, right, front perspective view thereof;

FIG. 5 is another top, left, rear perspective view thereof;

FIG. 6 is another bottom, right, front perspective view thereof;

FIG. 7 is a rear elevation view thereof;

FIG. 8 is a front elevation view thereof;

FIG. 9 is a top plan view thereof;

FIG. 10 is a bottom plan view thereof;

FIG. 11 is a left side elevation view thereof;

FIG. 12 is a right side elevation view thereof;

FIG. 13 is a top, left, rear perspective view of a vertical electrical connector housing according to another embodiment of our design;

FIG. 14 is a bottom, left, rear perspective view thereof;

FIG. 15 is a top, left, front perspective view thereof;

FIG. 16 is a bottom, right, front perspective view thereof;

FIG. 17 is another top, left, rear perspective view thereof;

FIG. 18 is another bottom, right, front perspective view thereof;

FIG. 19 is a rear elevation view thereof;

FIG. 20 is a front elevation view thereof;

FIG. 21 is a top plan view thereof;

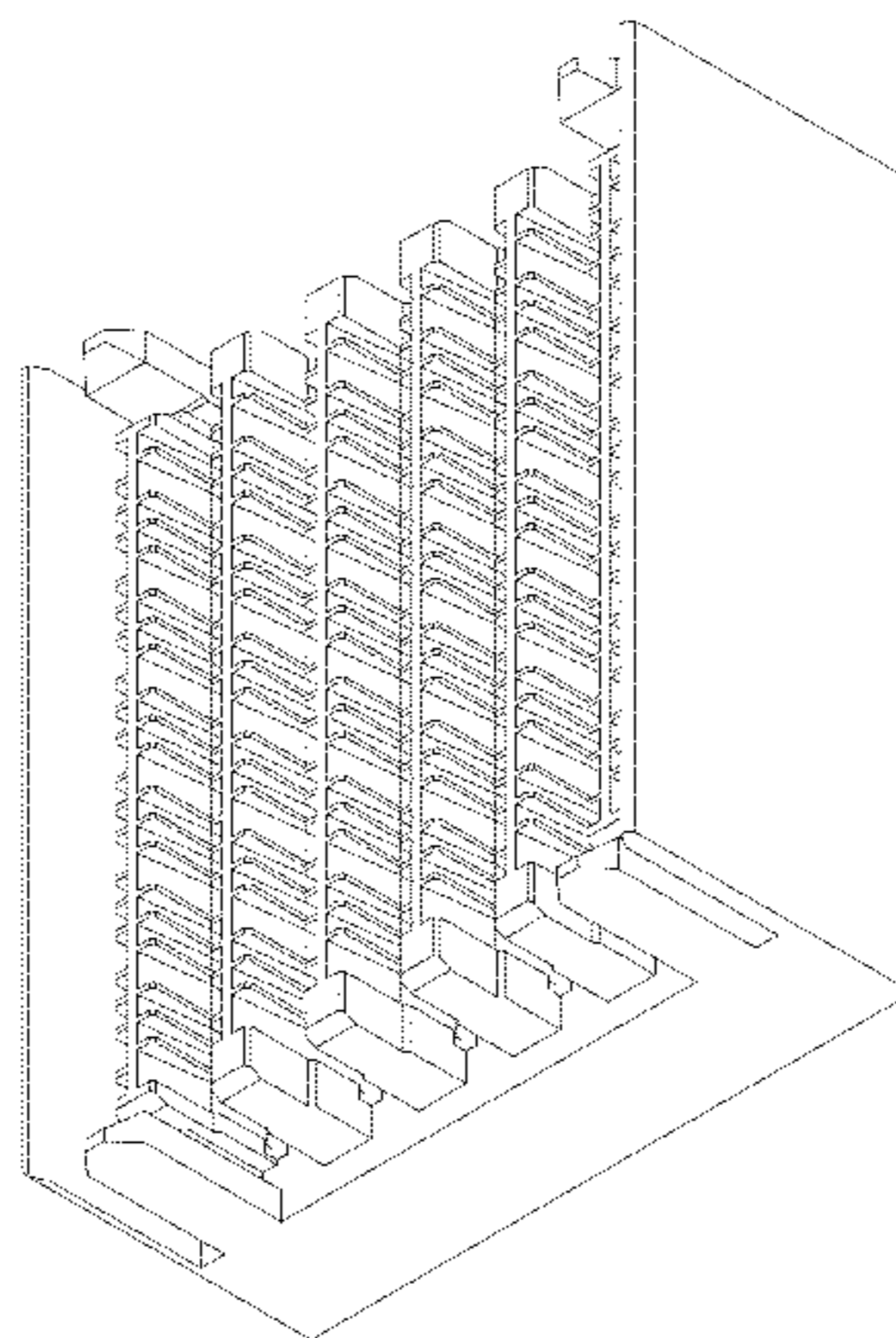
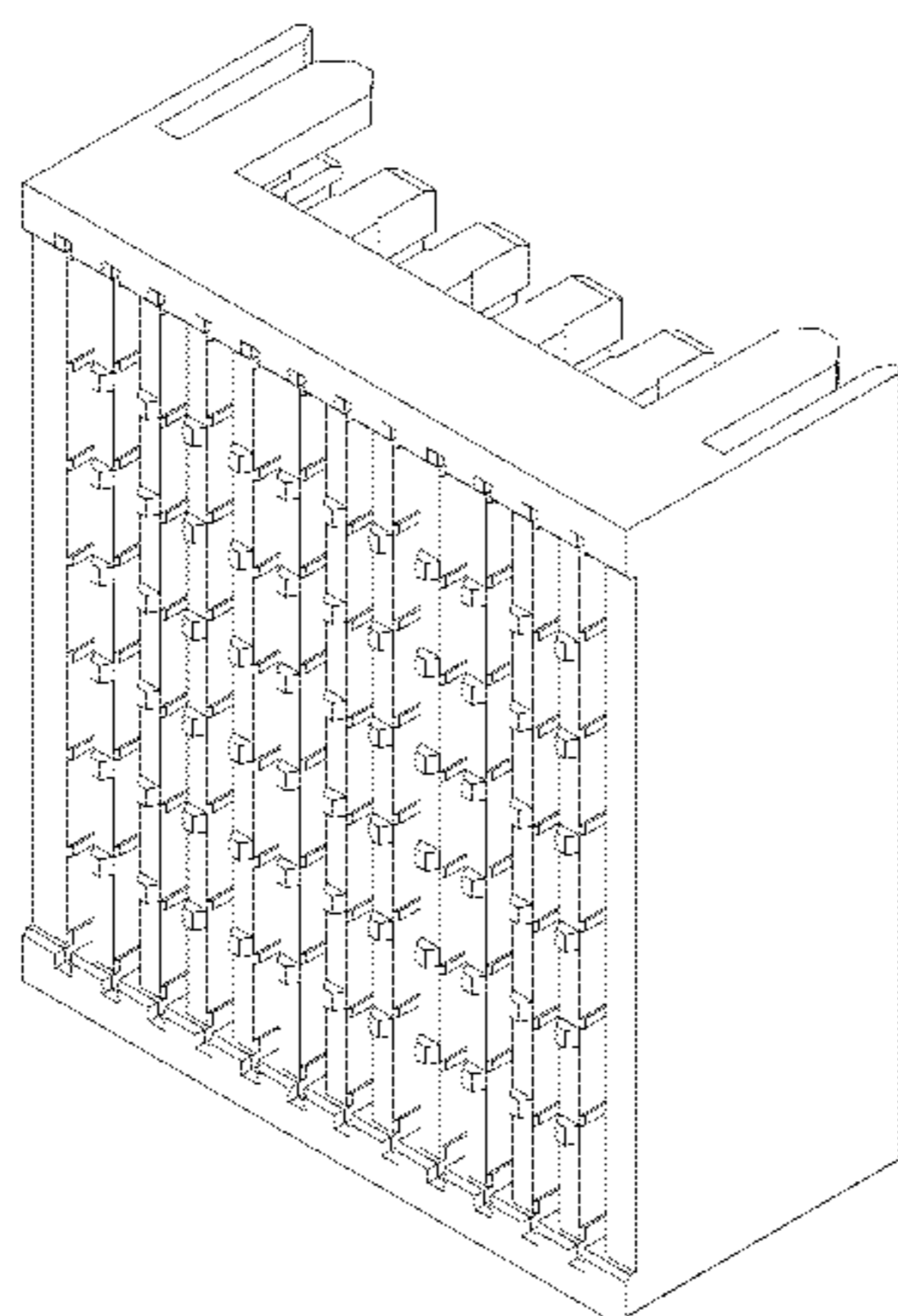
FIG. 22 is a bottom plan view thereof;

FIG. 23 is a left side elevation view thereof; and,

FIG. 24 is a right side elevation view thereof.

In a preferred embodiment, the nature of this product is an electrical component that can take the form of a vertical electrical connector housing.

1 Claim, 10 Drawing Sheets



(56)

References Cited

U.S. PATENT DOCUMENTS

D402,637 S 12/1998 Carpenter, Jr.
6,461,202 B2 10/2002 Kline
6,960,103 B2 11/2005 Tokunaga
6,994,569 B2 2/2006 Minich et al.
7,118,391 B2 10/2006 Minich et al.
D550,628 S 9/2007 Whiteman et al.
7,278,856 B2 10/2007 Minich
7,338,321 B2 3/2008 Laurx
7,549,897 B2 6/2009 Fedder et al.
D611,420 S 3/2010 Takada et al.
D611,421 S 3/2010 Takada et al.
D611,905 S 3/2010 Takada et al.
D611,906 S 3/2010 Takada et al.
8,408,939 B2 4/2013 Davis et al.
D712,842 S 9/2014 Buck et al.

D712,843 S * 9/2014 Buck et al. D13/154
D712,844 S 9/2014 Buck et al.
D713,346 S * 9/2014 Buck et al. D13/147
D713,356 S 9/2014 Buck et al.
D713,799 S 9/2014 Buck et al.
2004/0259420 A1 12/2004 Wu
2007/0190825 A1 8/2007 Shuey et al.
2009/0068902 A1 3/2009 Nagata
2012/0214343 A1 8/2012 Buck et al.
2014/0248794 A1 9/2014 Khazen et al.

OTHER PUBLICATIONS

U.S. Appl. No. 29/498,823, filed Aug. 8, 2014, Buck et al.
U.S. Appl. No. 29/498,828, filed Aug. 8, 2014, Buck et al.
U.S. Appl. No. 29/497,094, filed Jul. 21, 2014, Buck et al.
U.S. Appl. No. 29/500,061, filed Aug. 21, 2014, Buck et al.

* cited by examiner

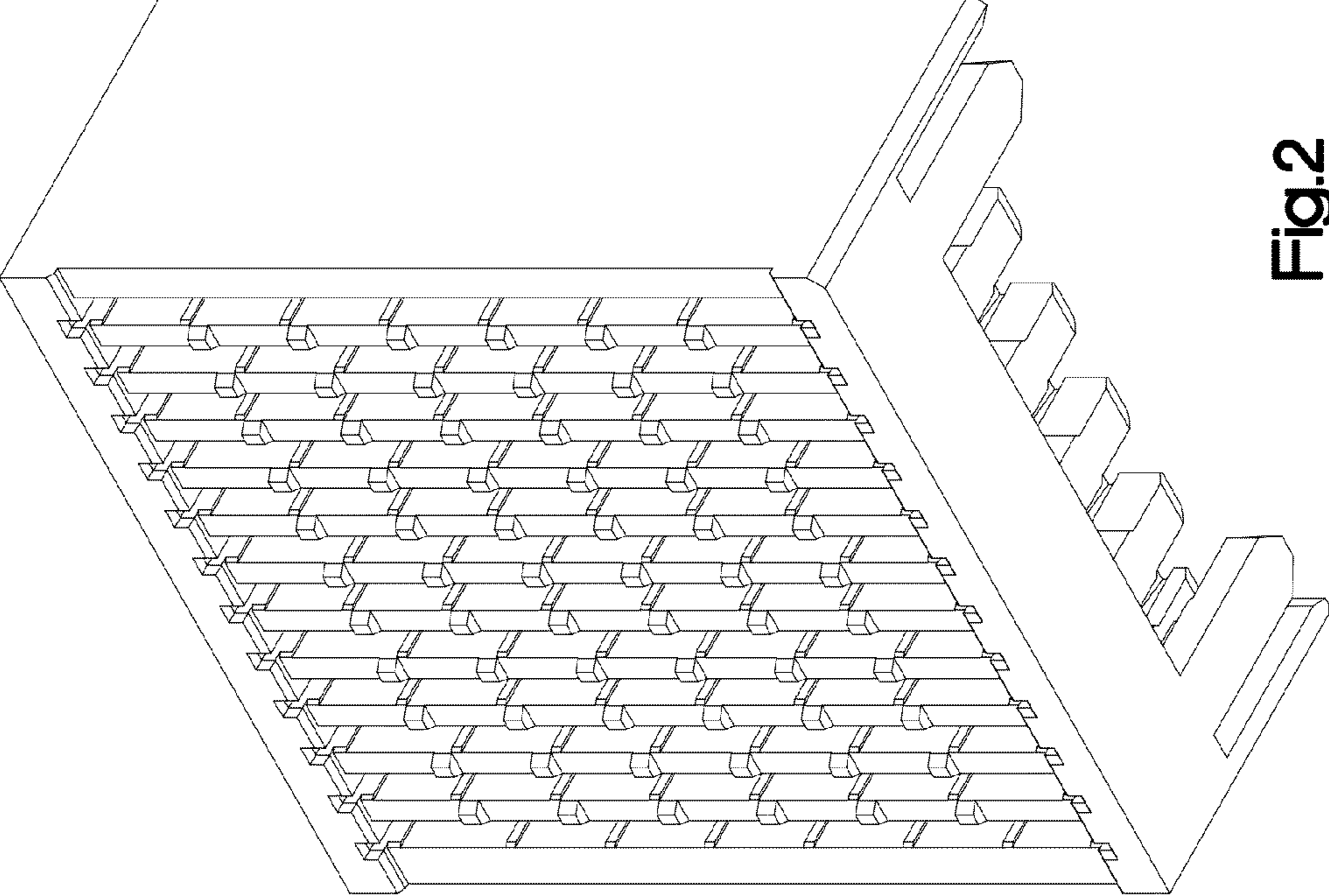


Fig.2

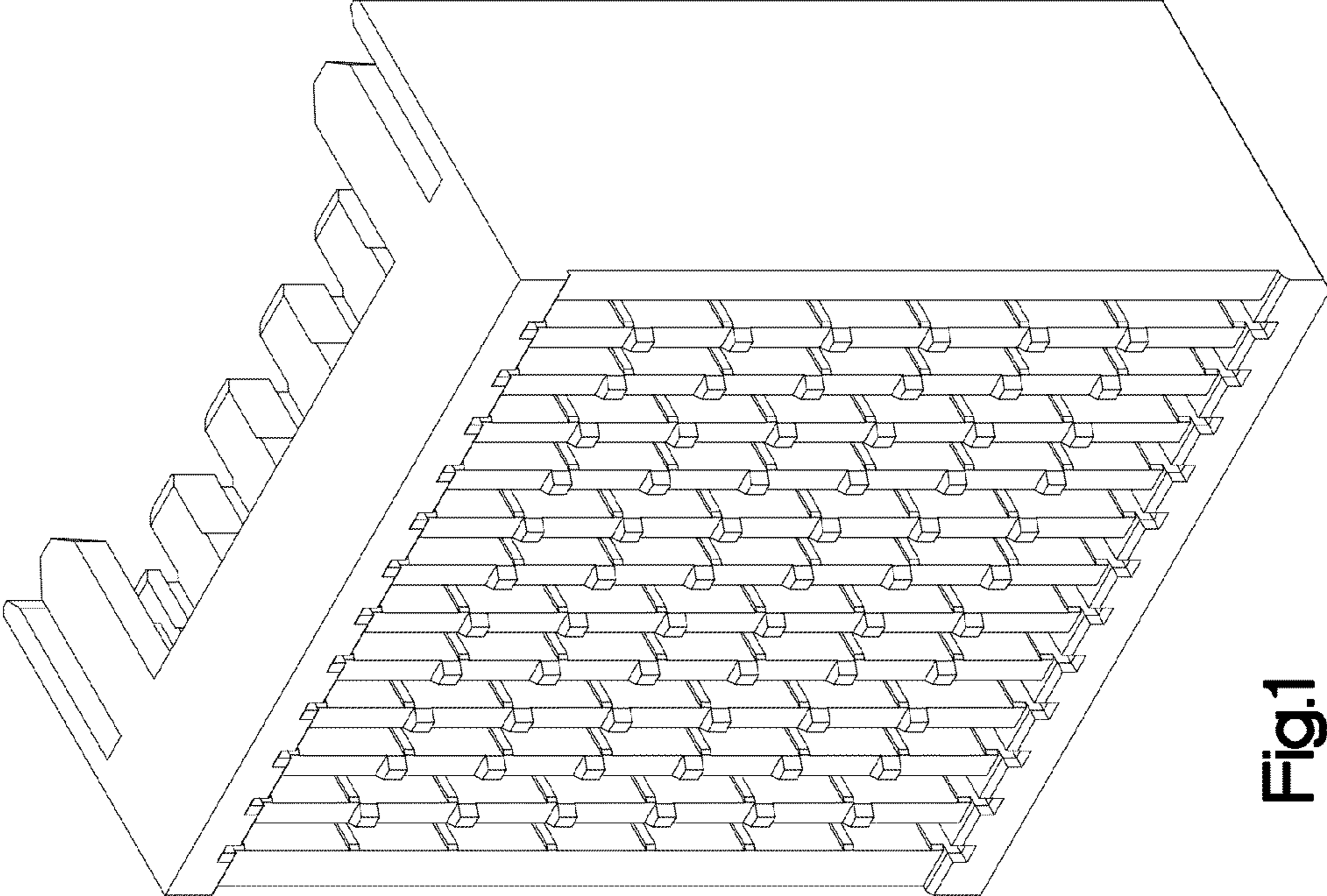


Fig.1

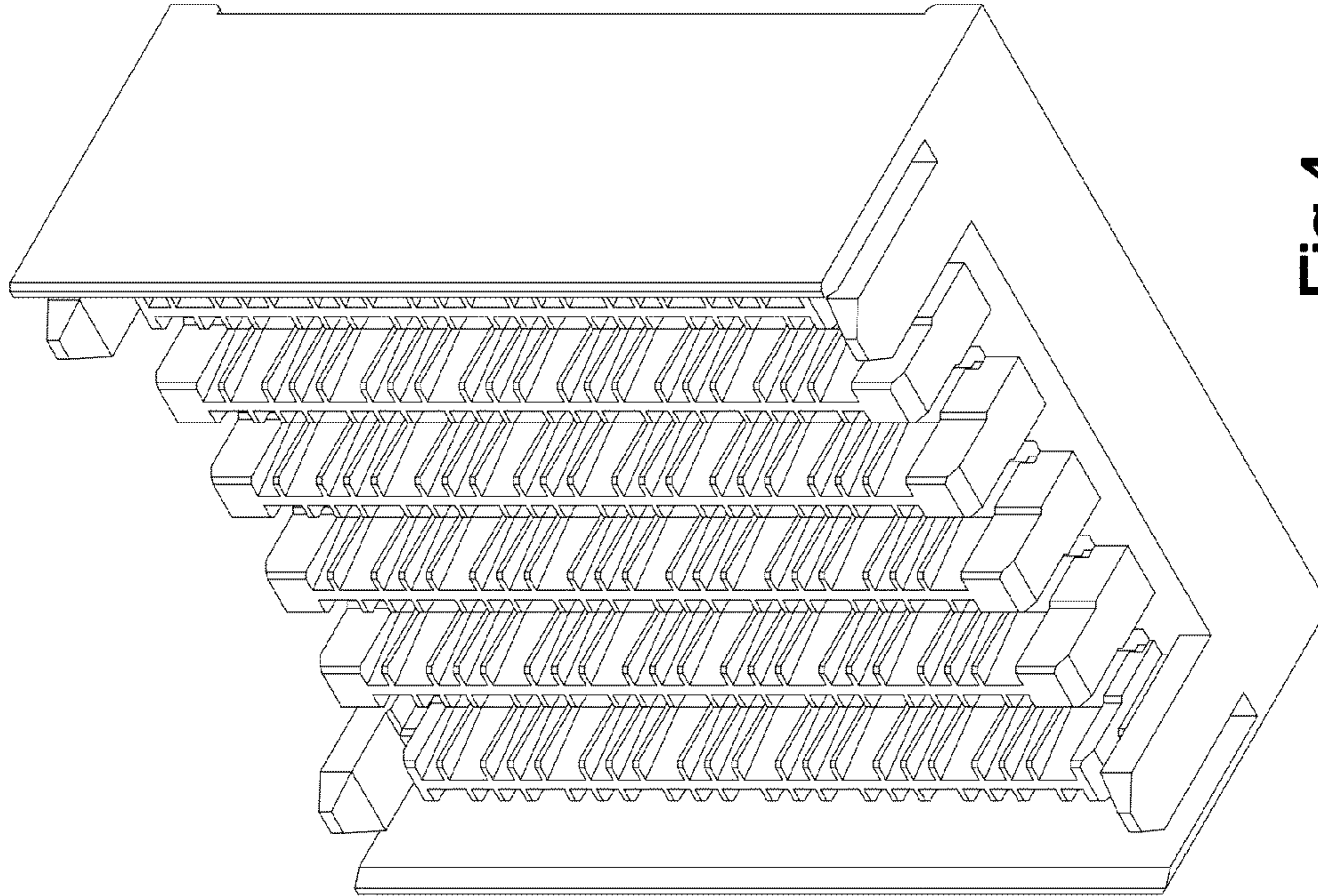


Fig.4

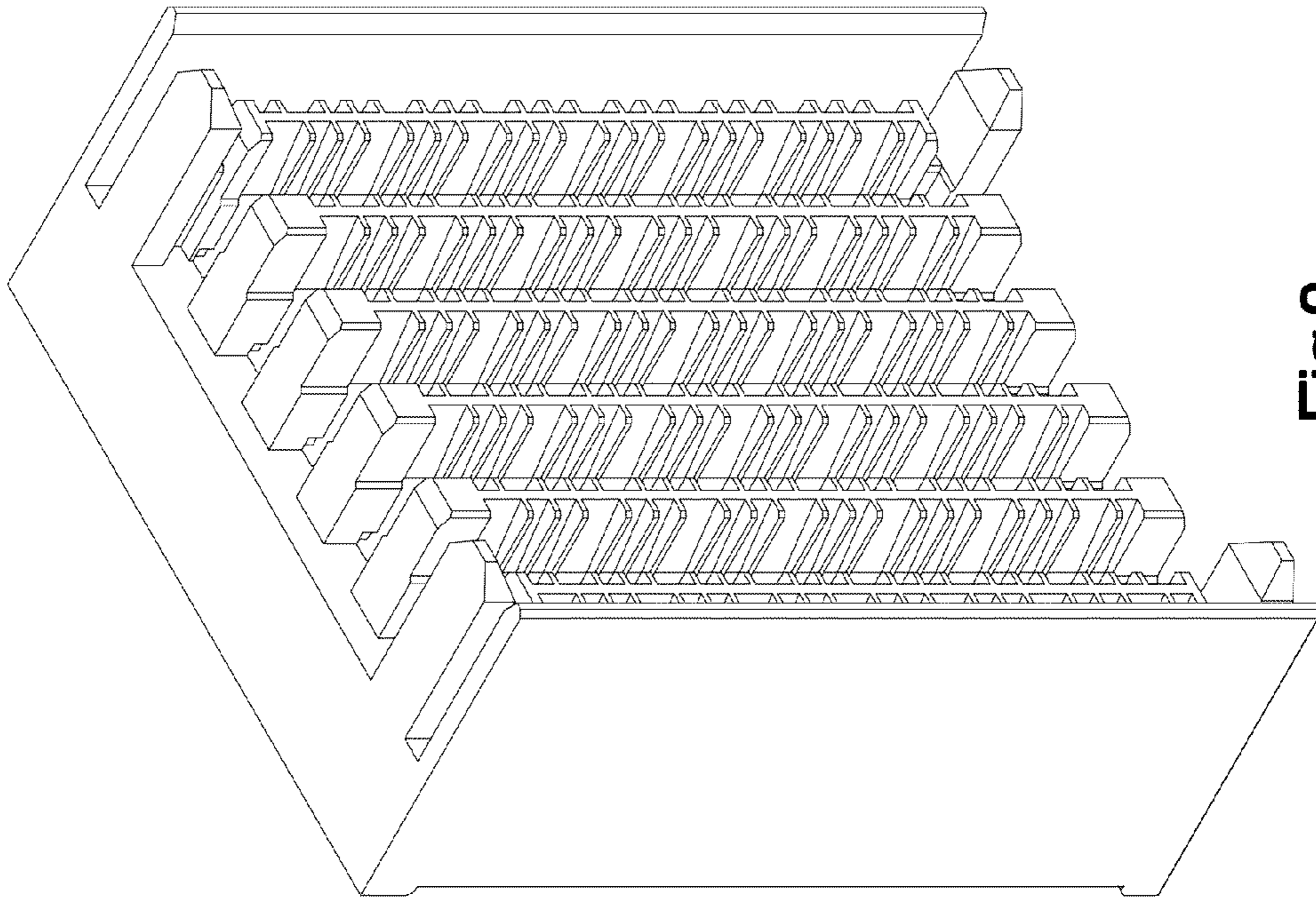


Fig.3

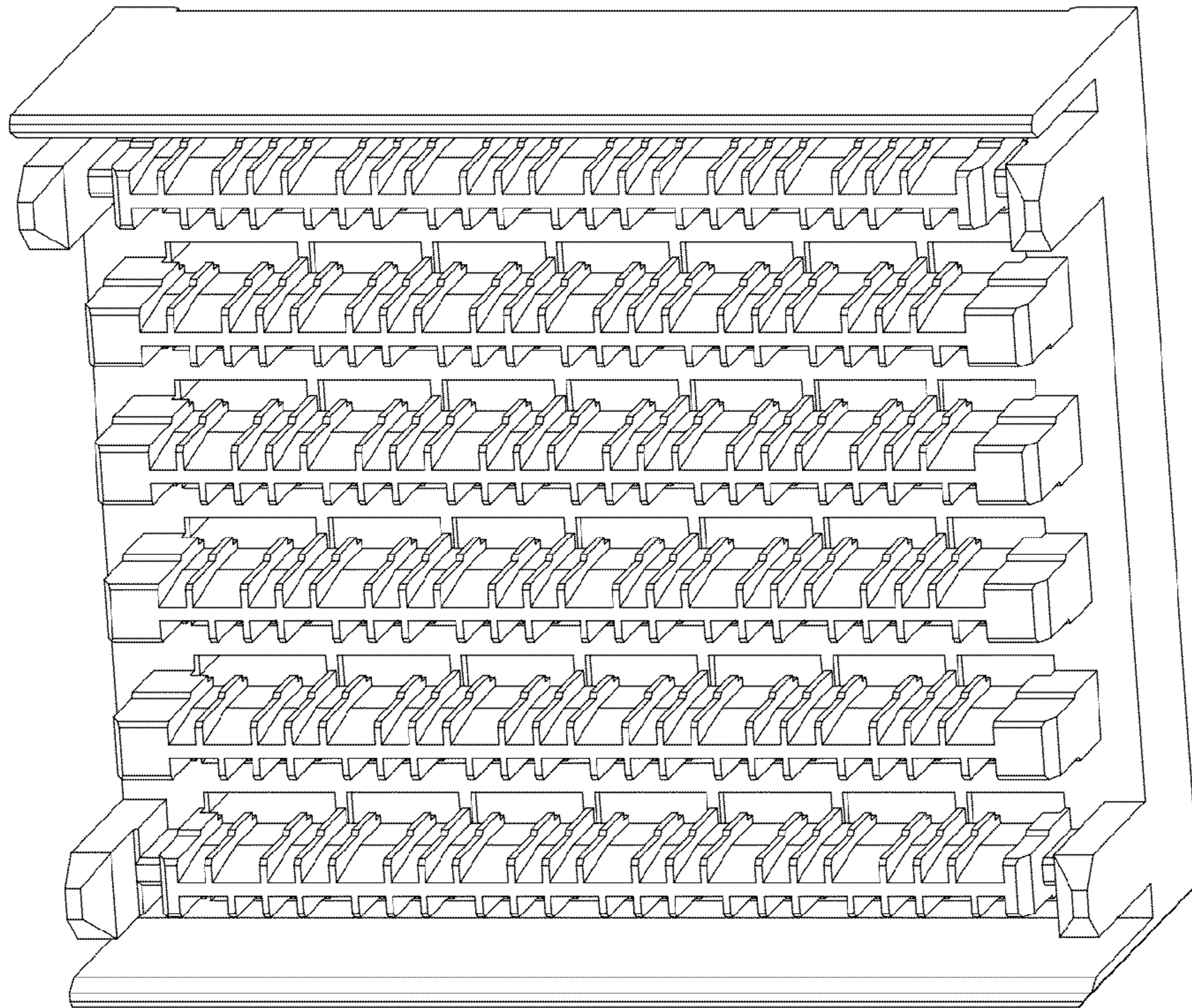


Fig.6

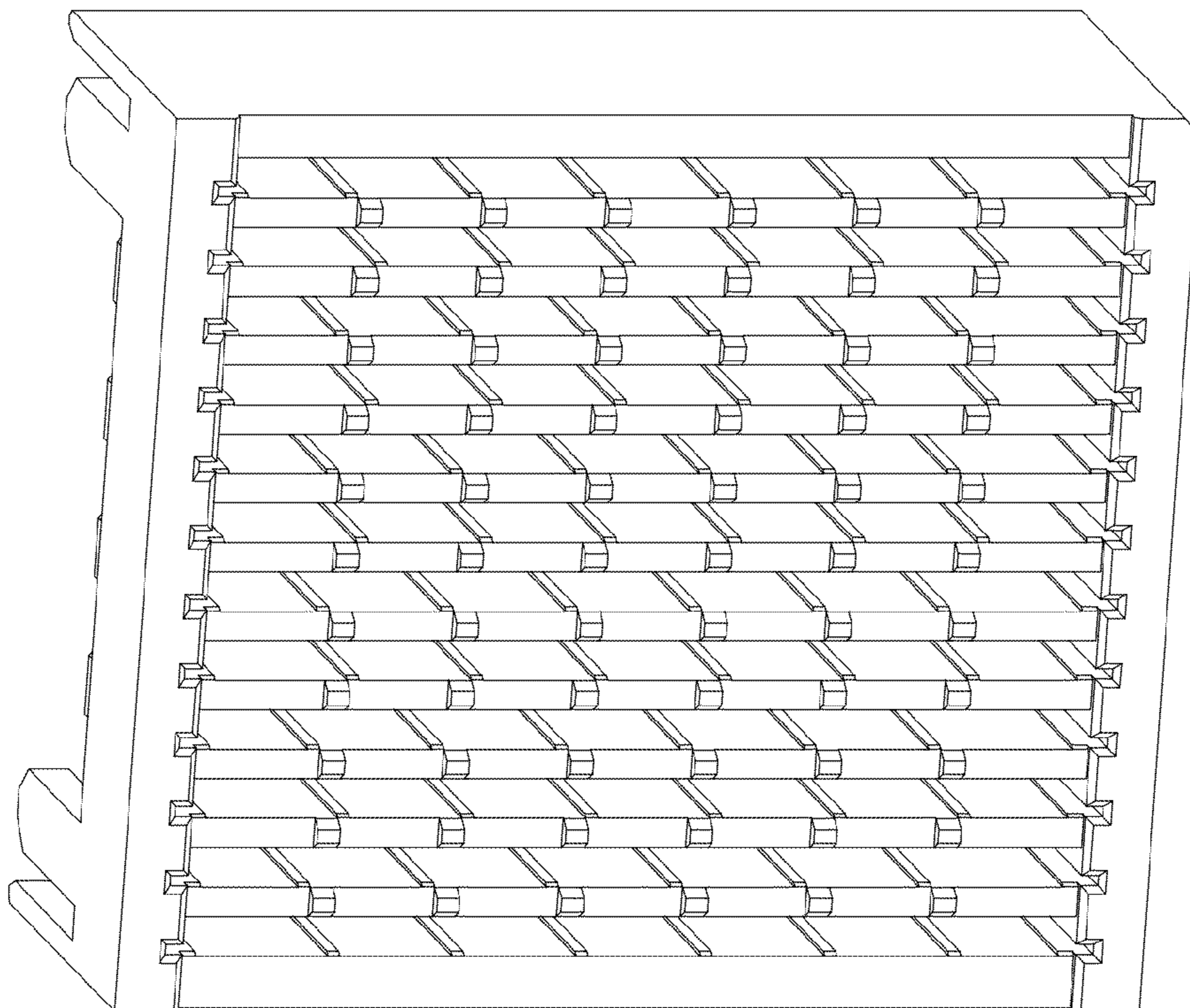


Fig.5

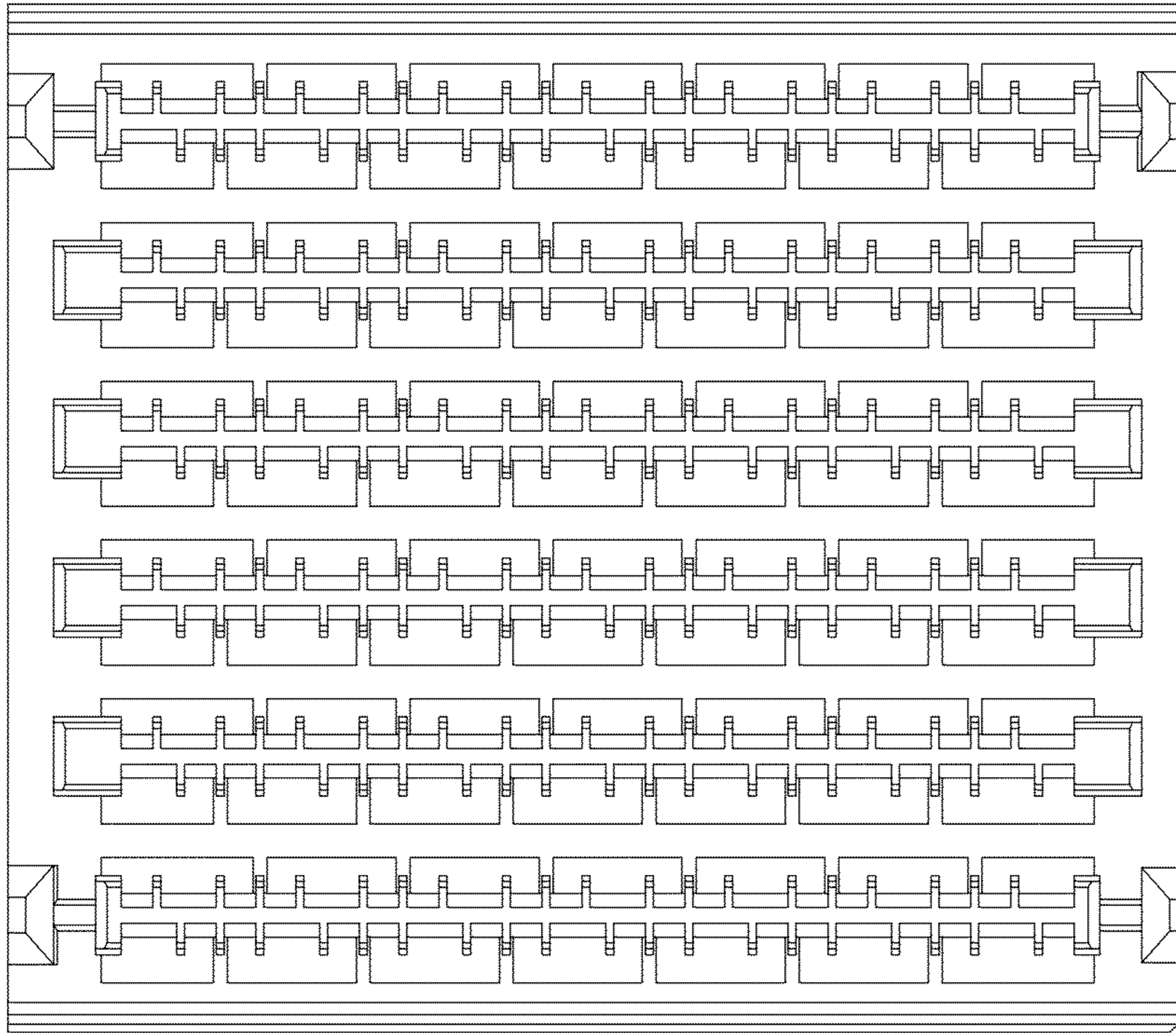


Fig.8

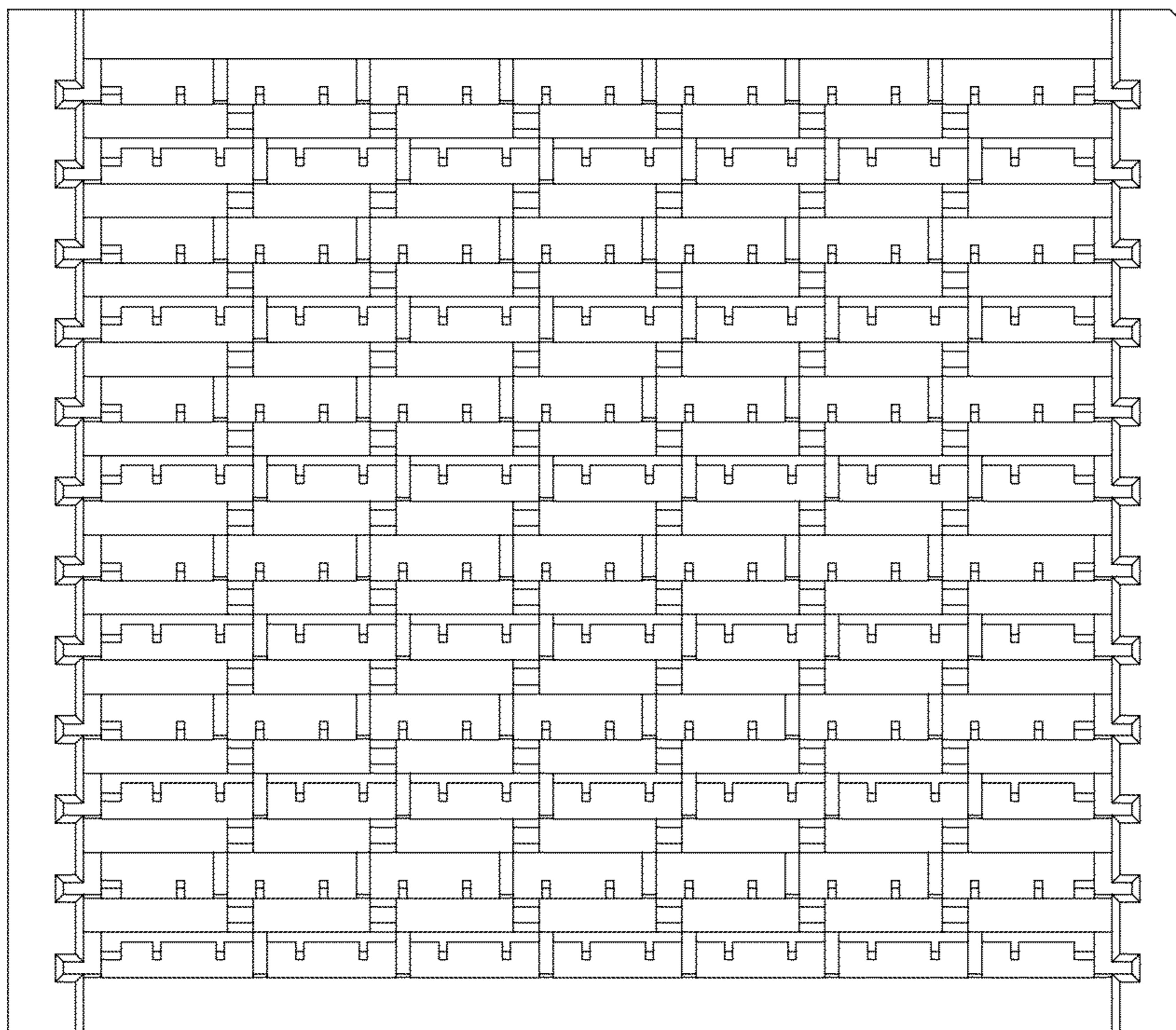


Fig.7

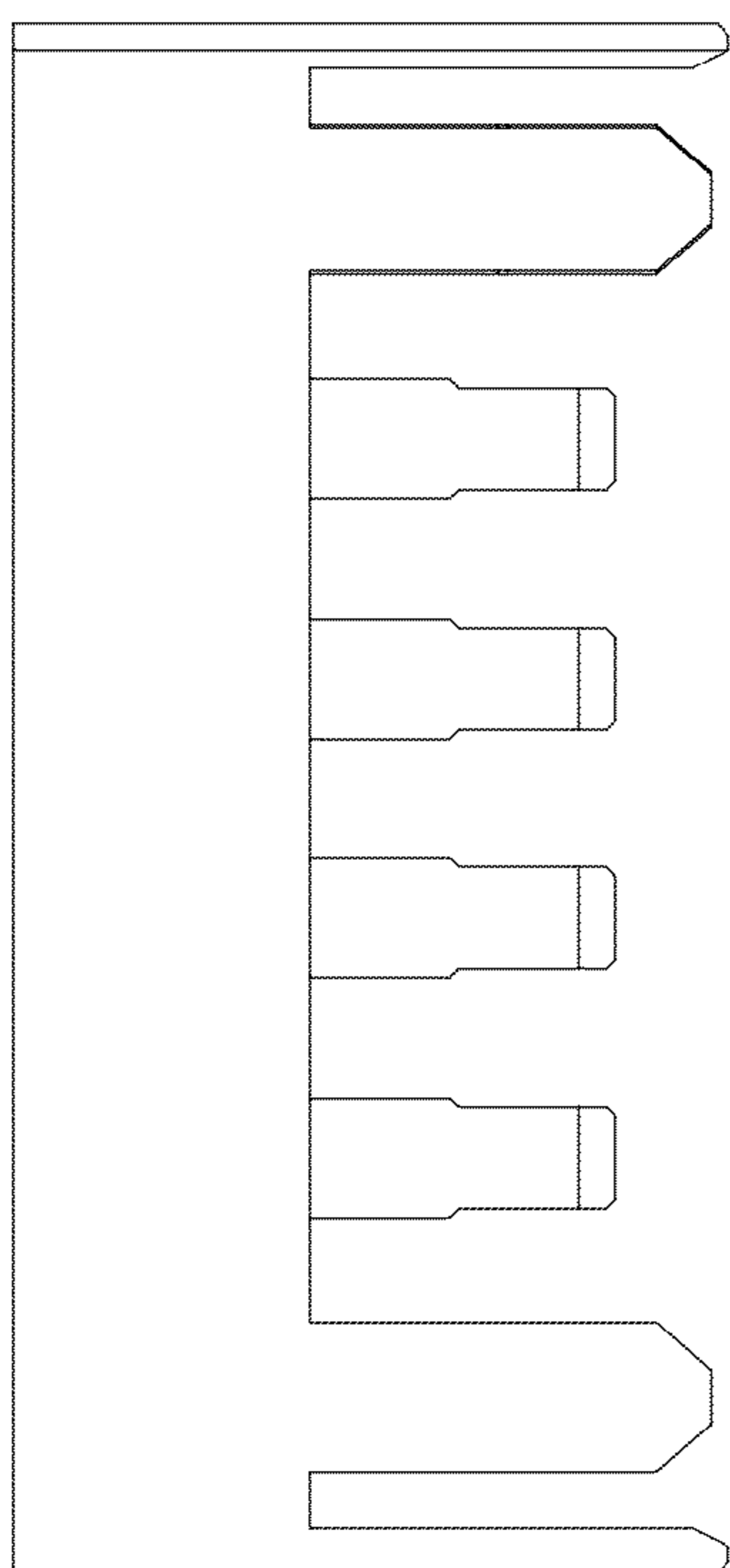


Fig.9

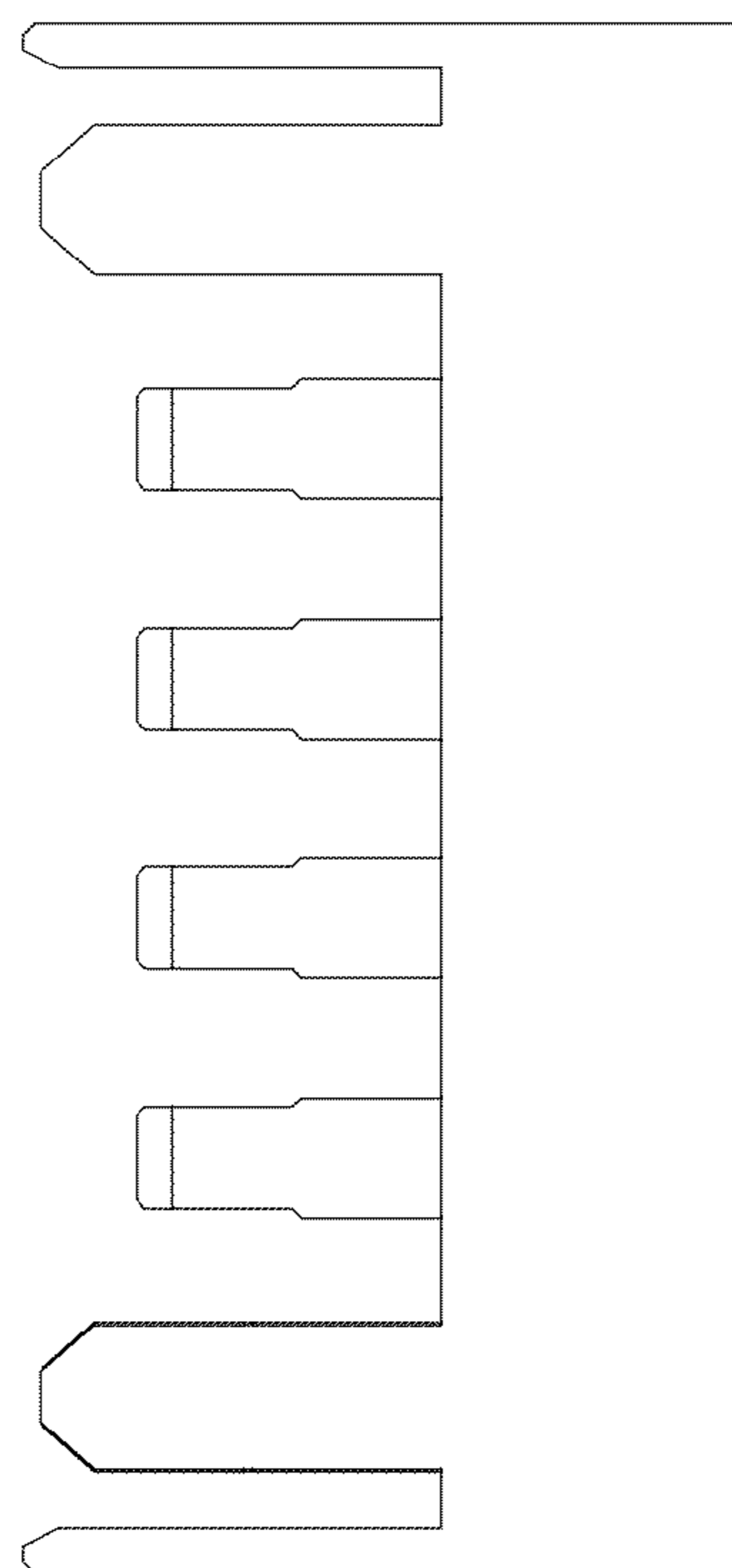


Fig.10

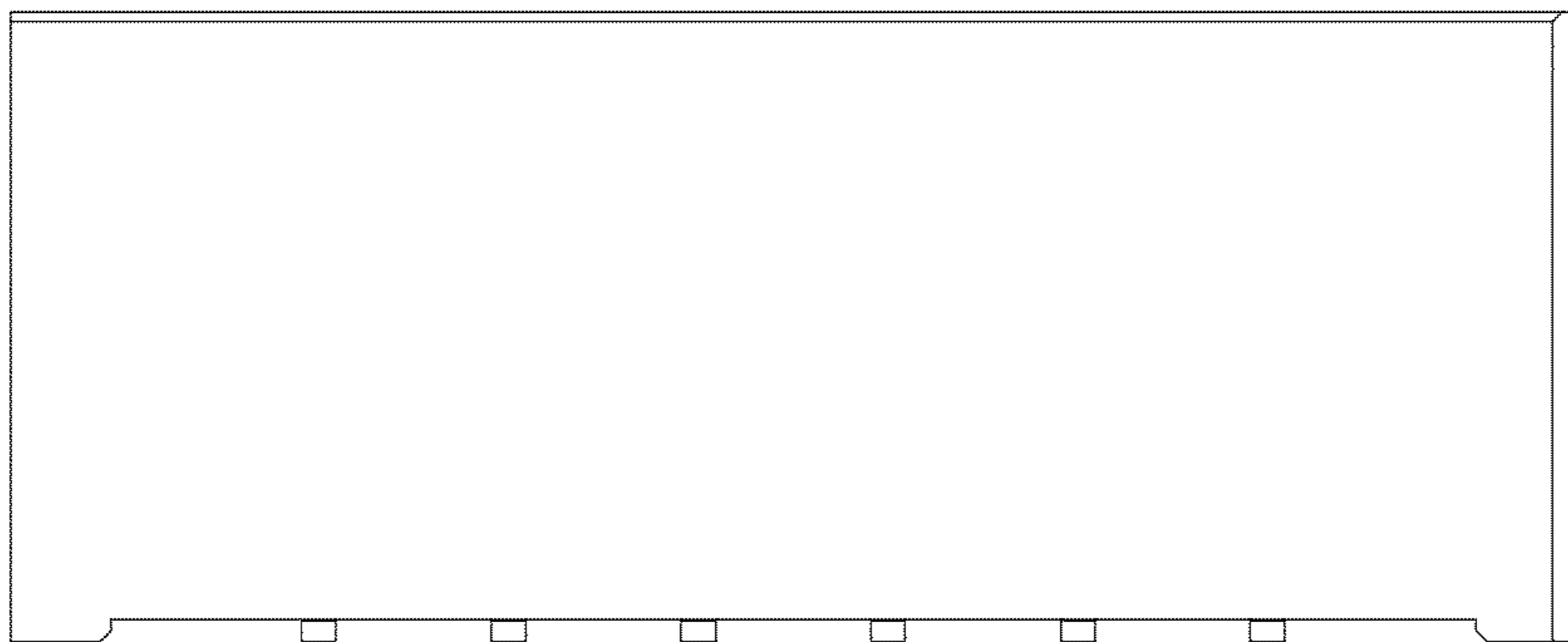


Fig.11

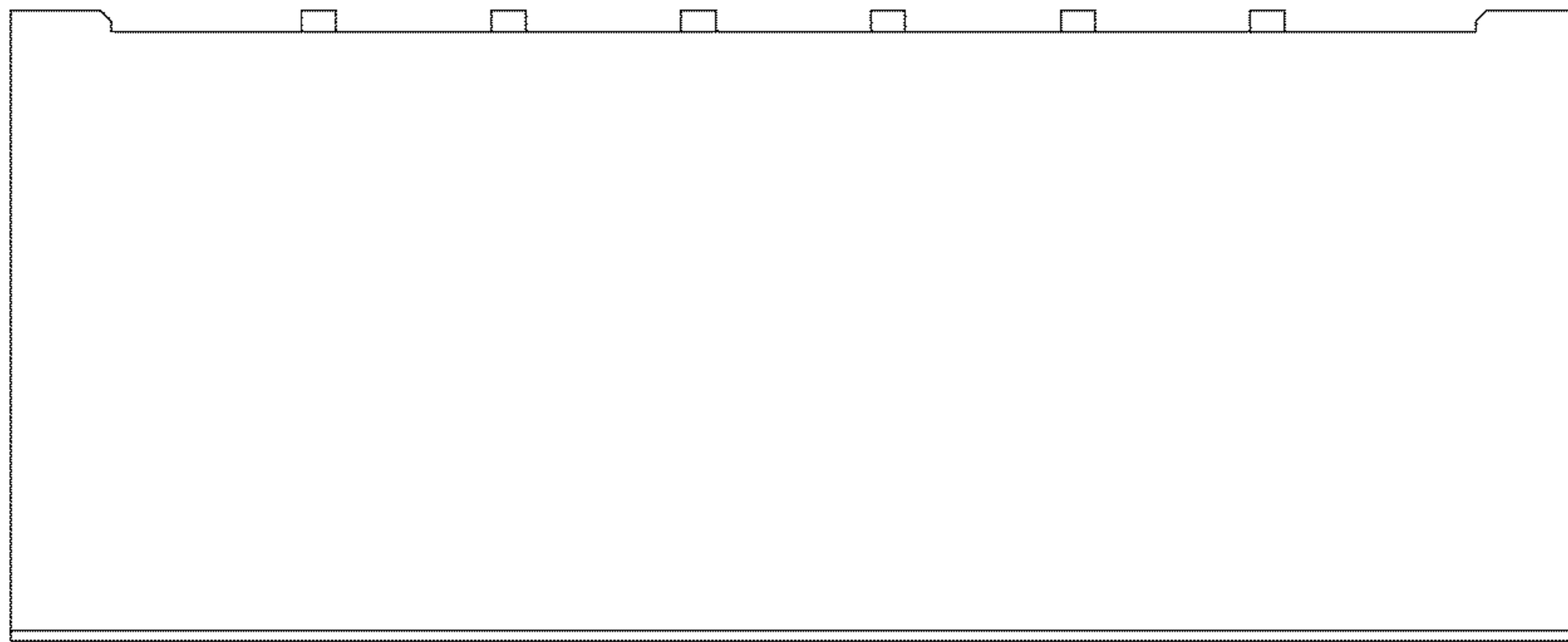


Fig.12

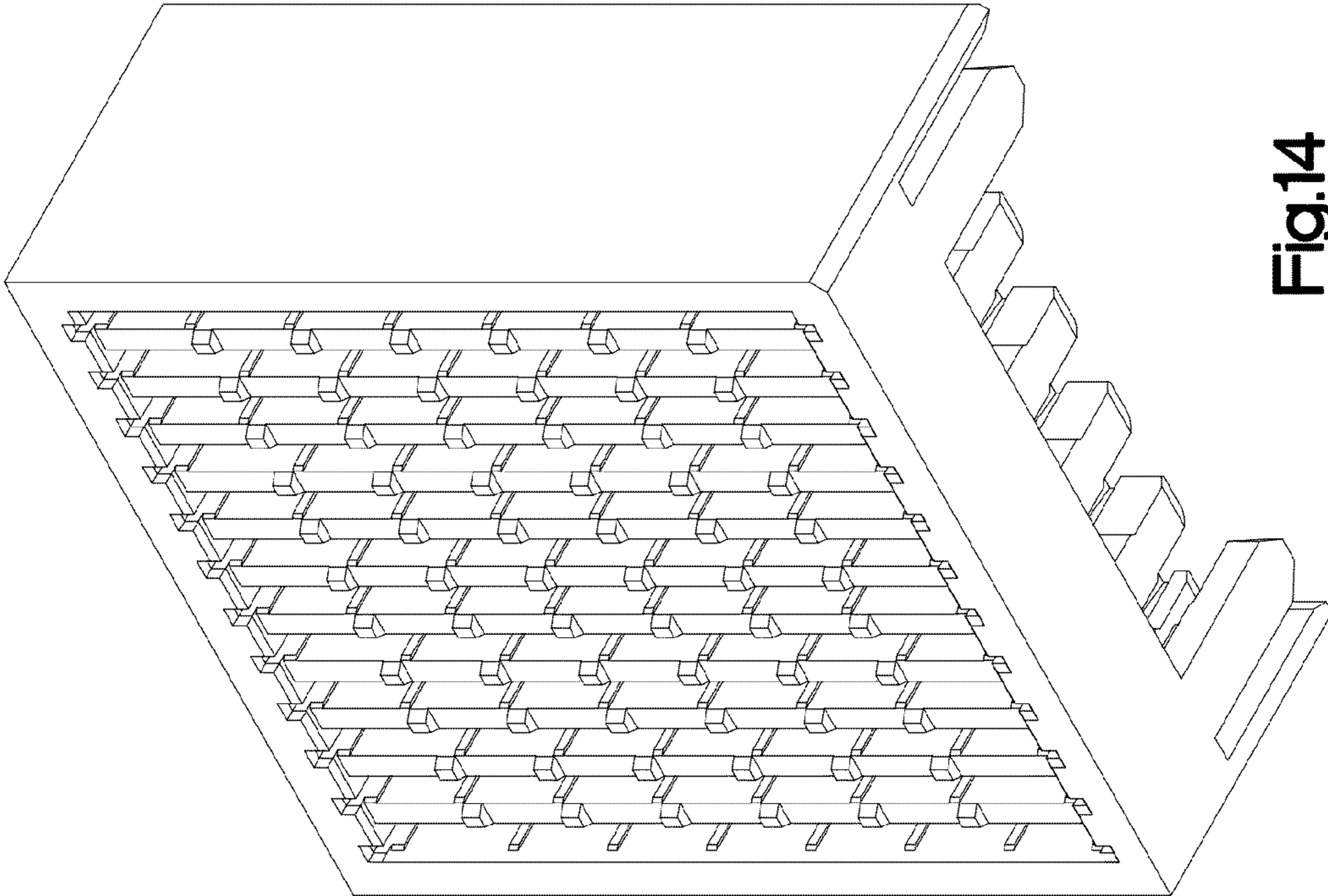


Fig.14

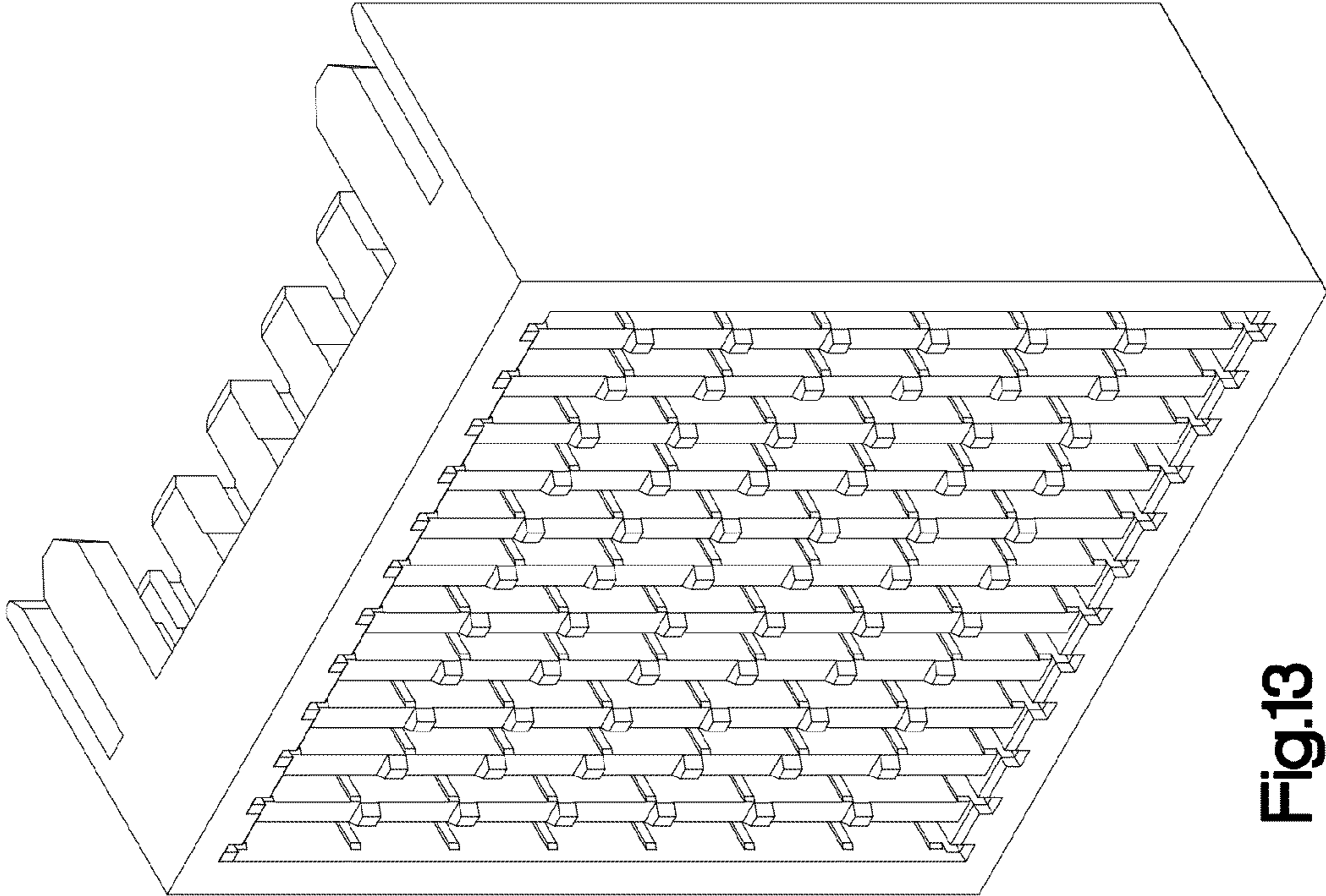


Fig.13

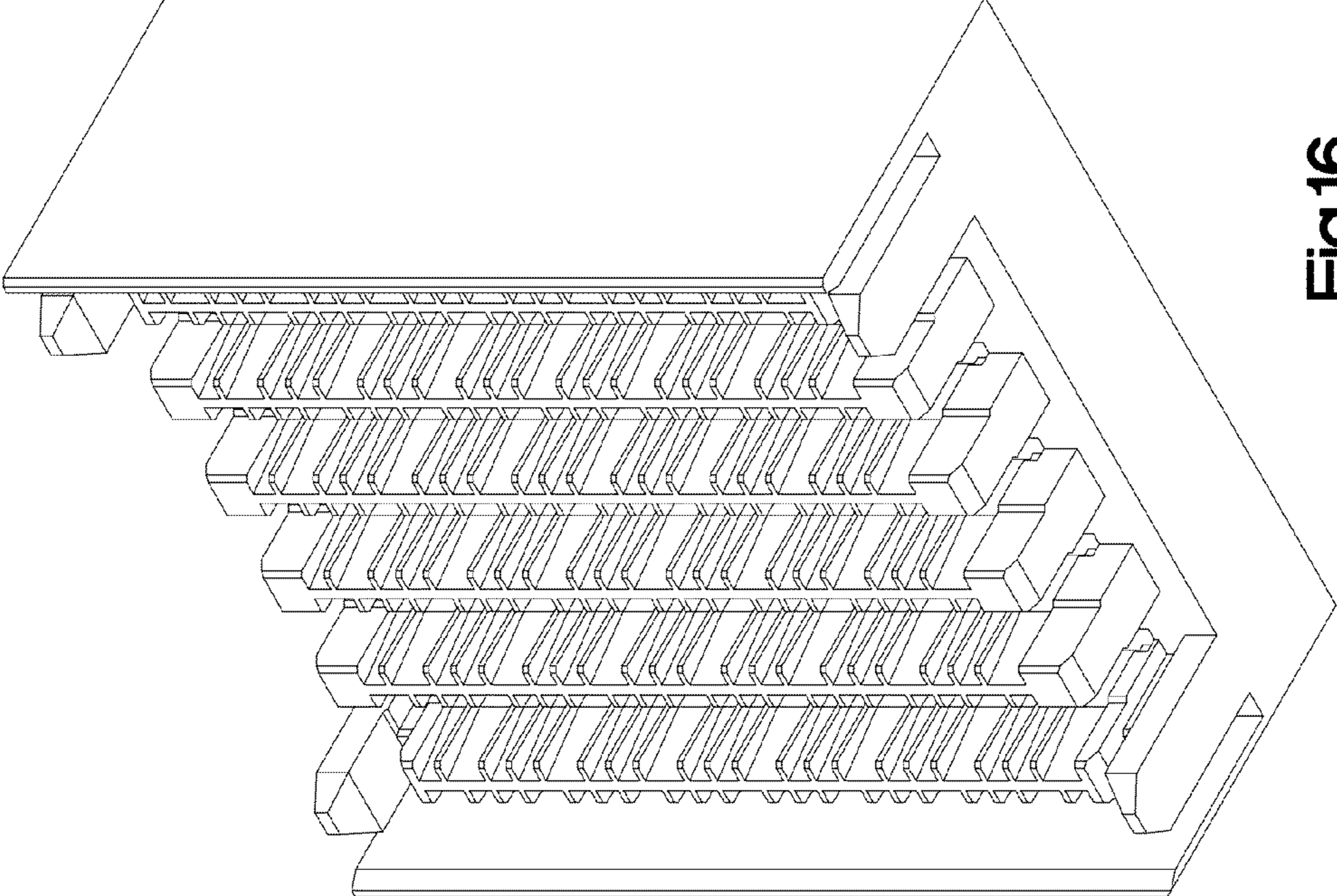


Fig.16

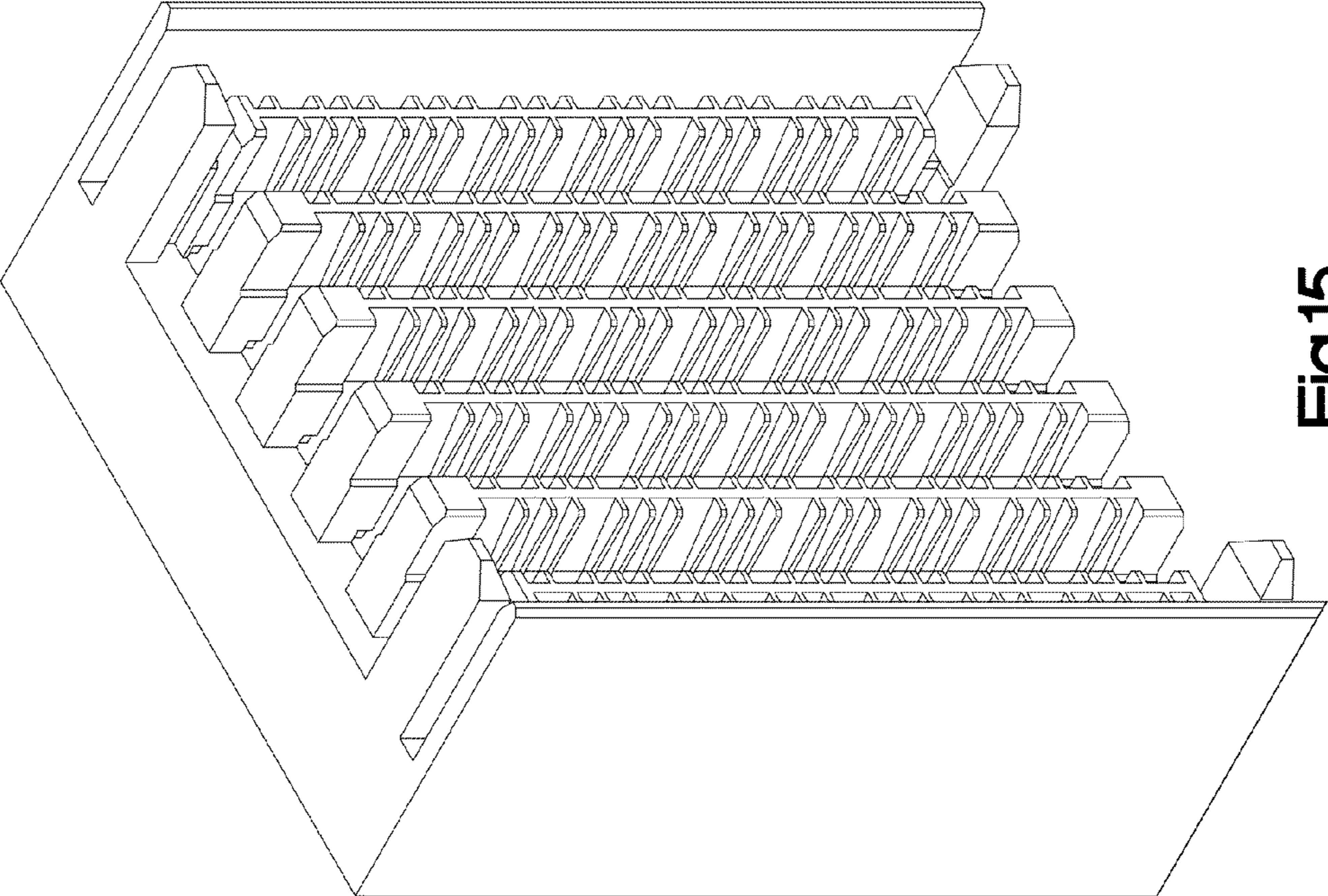


Fig.15

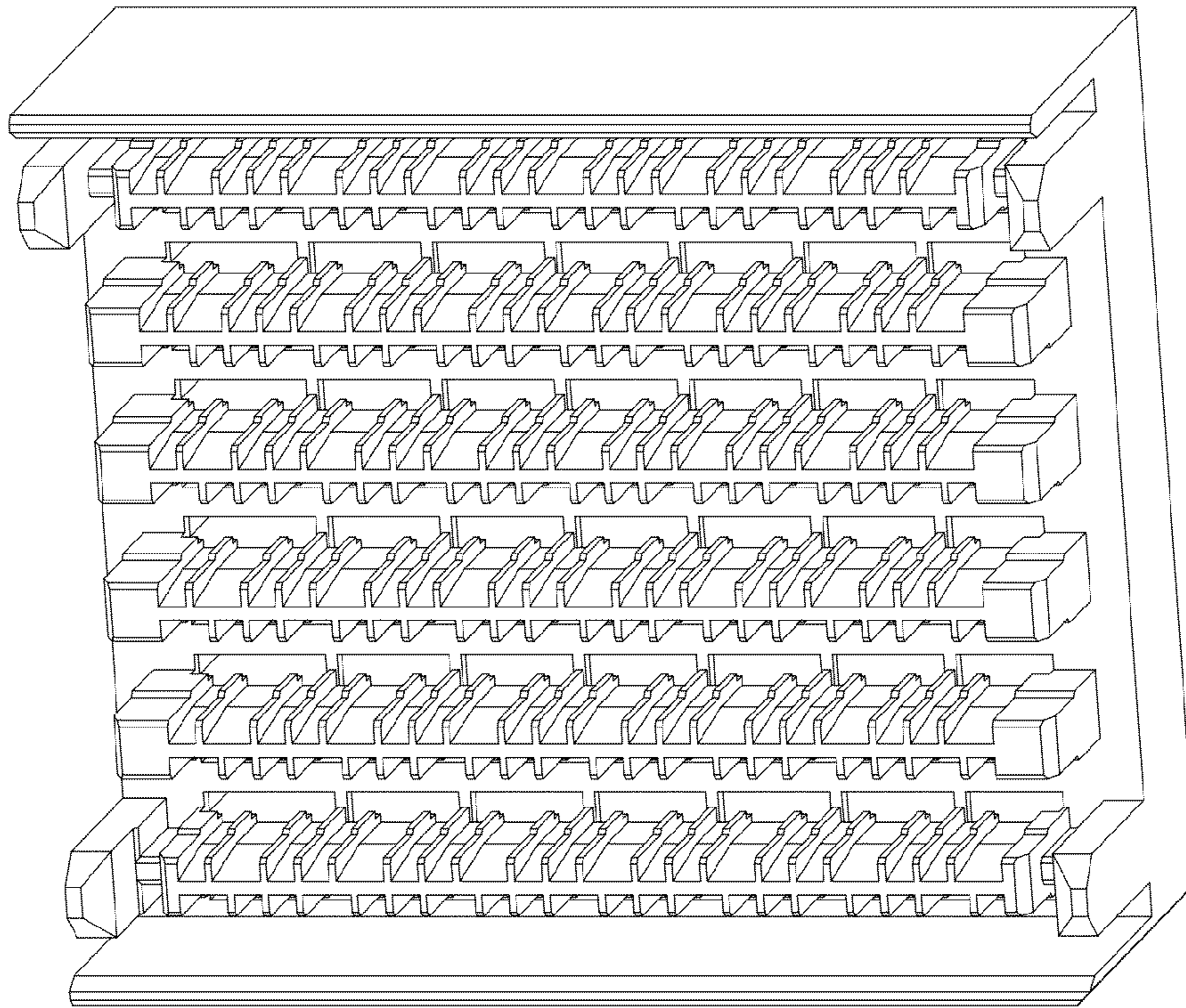


Fig.18

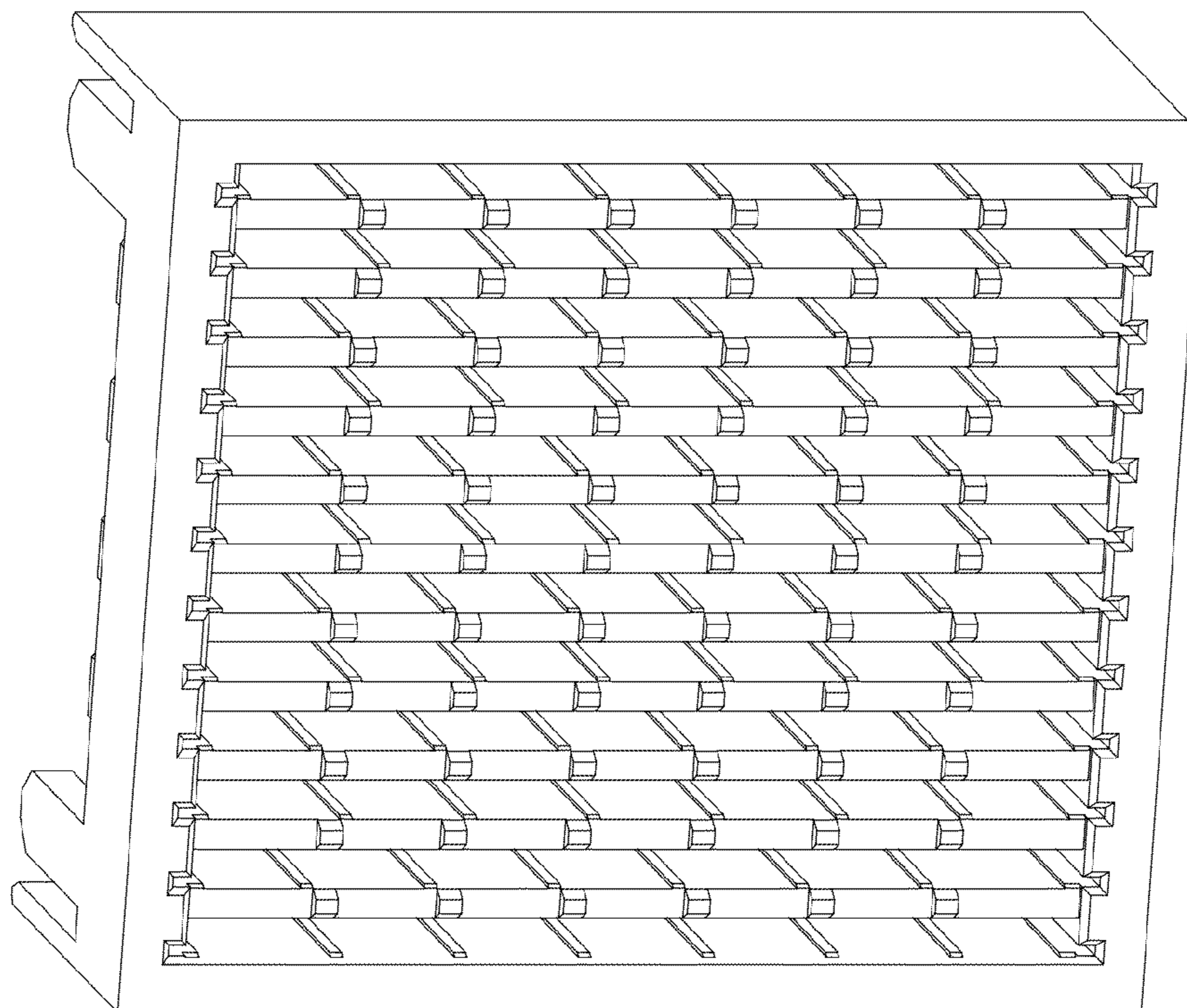


Fig.17

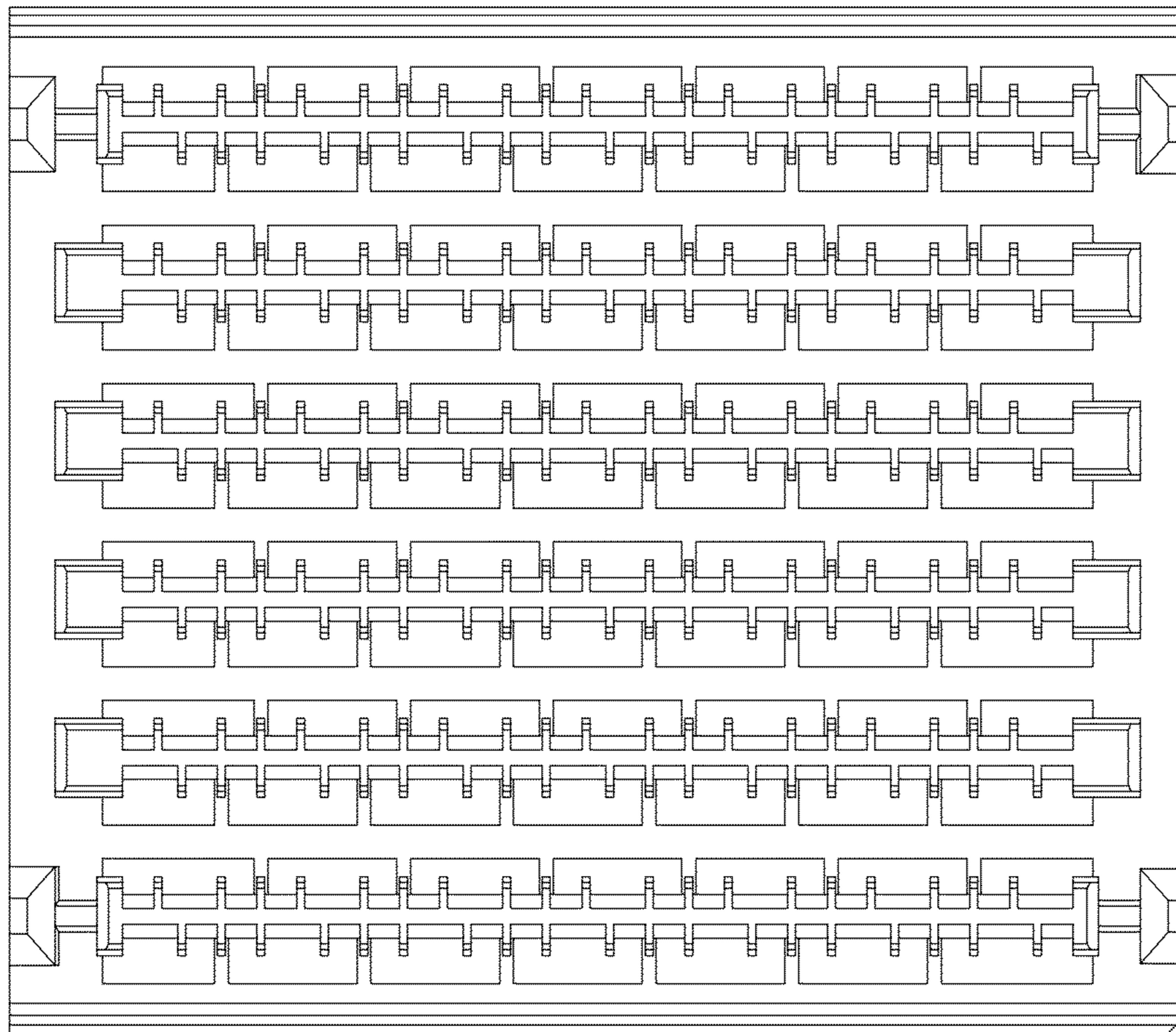


Fig. 20

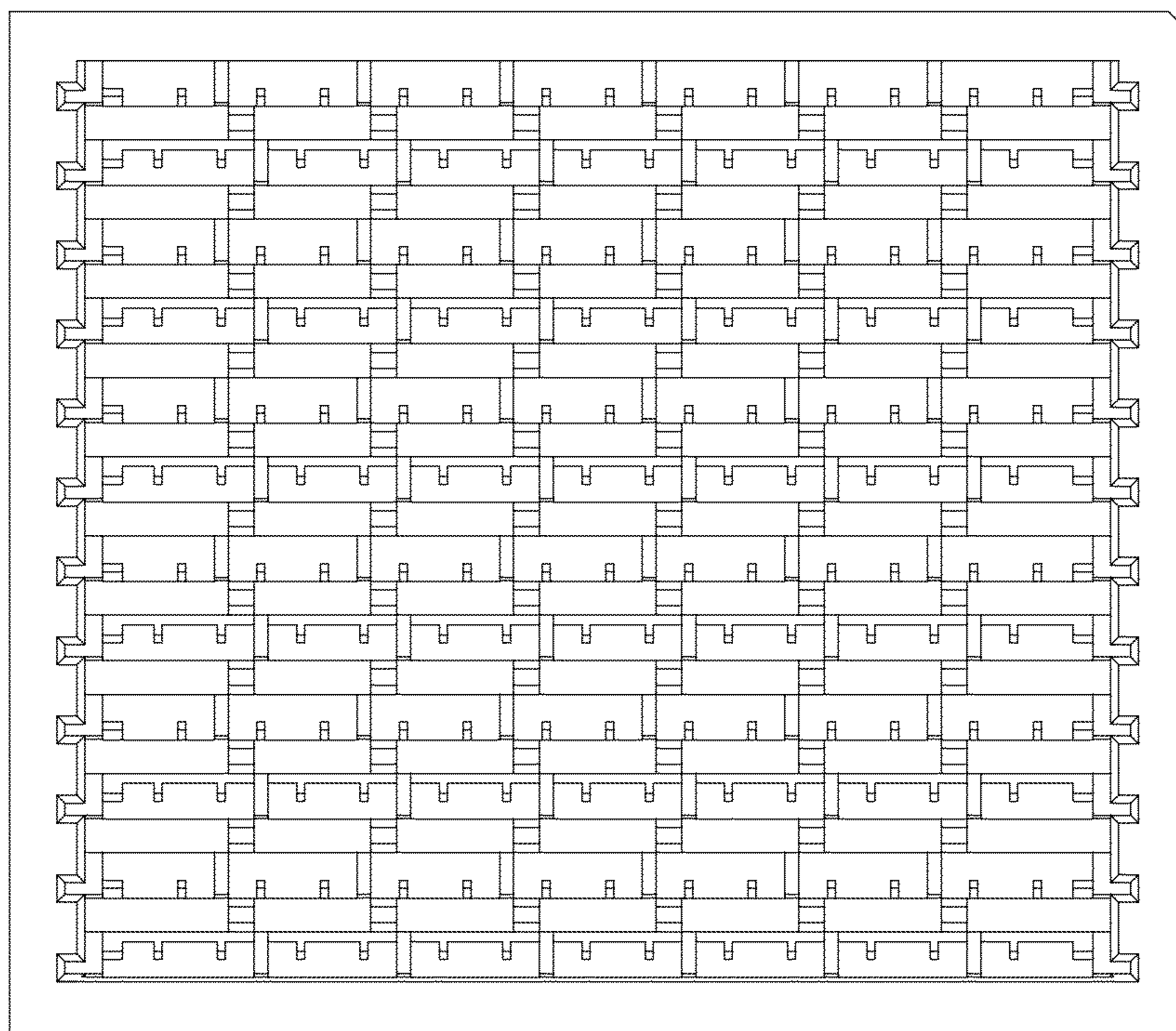


Fig. 19



Fig.24

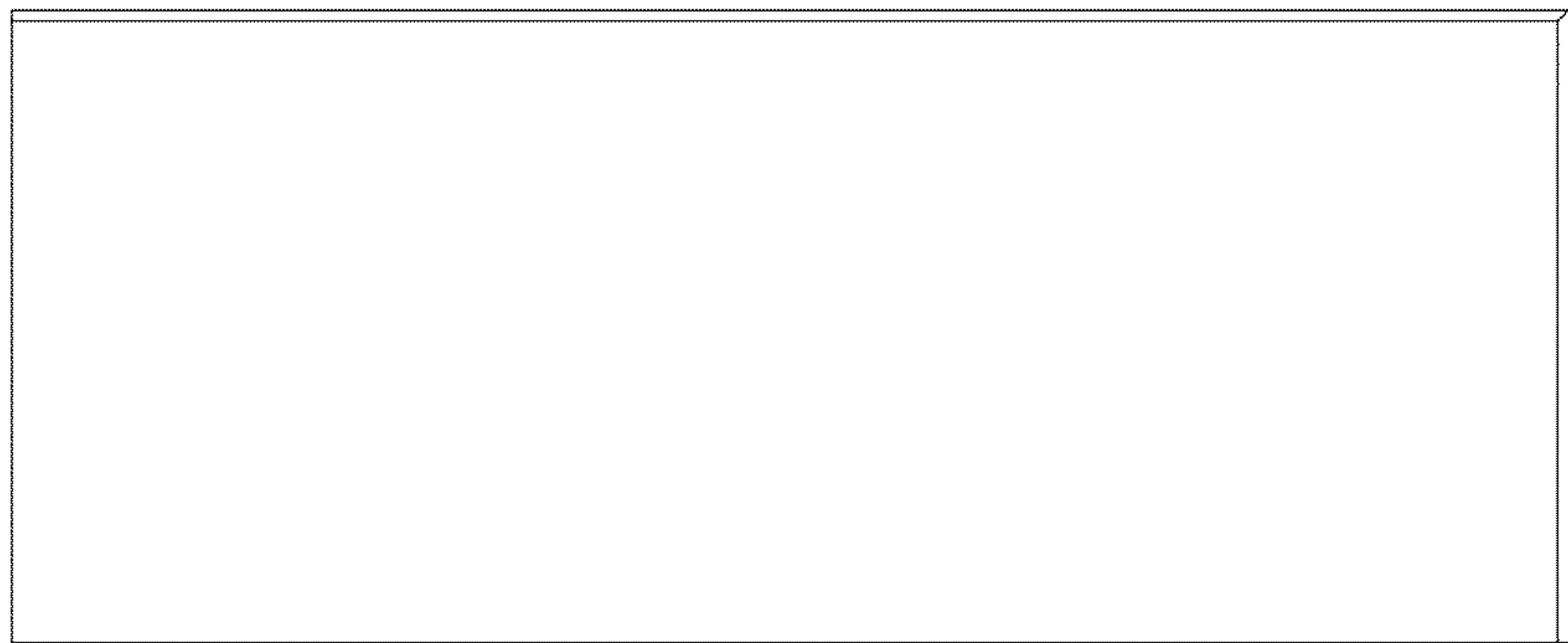


Fig.23

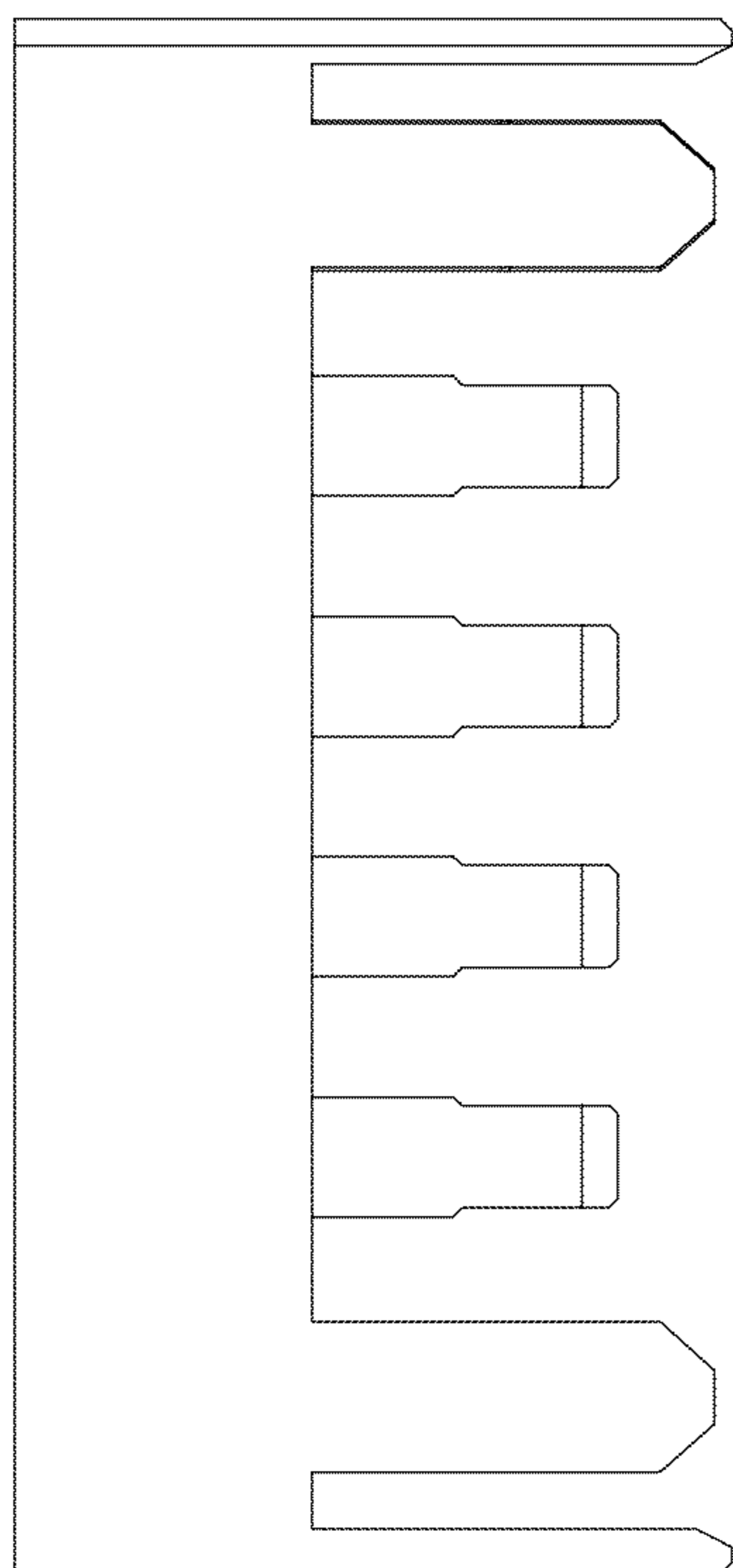


Fig.21

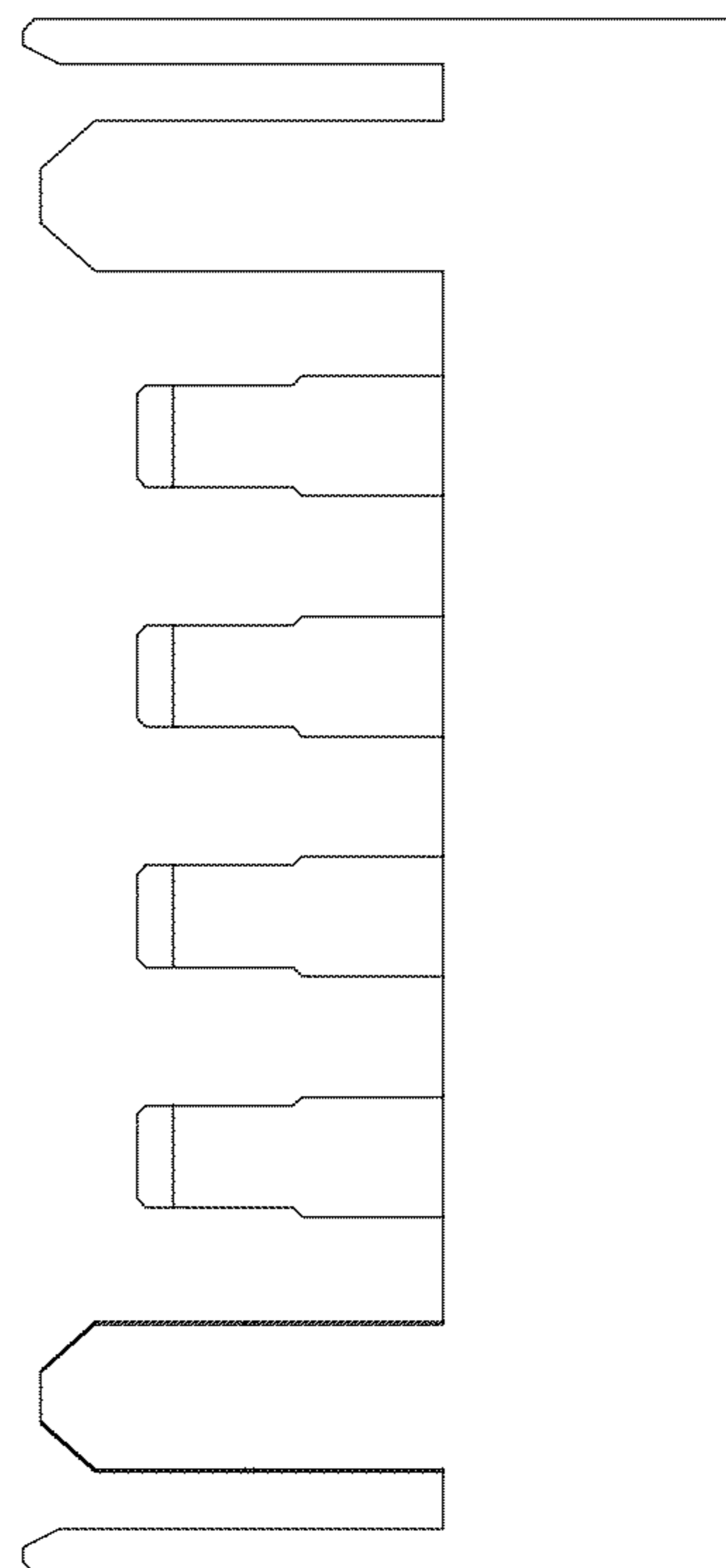


Fig.22