



US00D731436S

(12) **United States Design Patent**  
**Teranishi et al.**

(10) **Patent No.:** **US D731,436 S**  
(45) **Date of Patent:** **\*\* Jun. 9, 2015**

(54) **ELECTRIC CONNECTOR**

(56) **References Cited**

(71) Applicant: **Omron Corporation**, Shimogyo-ku,  
Kyoto (JP)

U.S. PATENT DOCUMENTS

(72) Inventors: **Hirotda Teranishi**, Osaka (JP);  
**Takahiro Sakai**, Shiga (JP)

D486,448	S	*	2/2004	Watanabe et al.	.....	D13/120
D529,443	S	*	10/2006	Chien	.....	D13/147
D538,228	S	*	3/2007	Wang et al.	.....	D13/146
D563,322	S	*	3/2008	Ma	.....	D13/146
D596,129	S	*	7/2009	Huang et al.	.....	D13/147
2012/0171905	A1	*	7/2012	Koyama et al.	.....	439/676
2014/0038469	A1	*	2/2014	Sakai et al.	.....	439/733.1

(73) Assignee: **OMRON CORPORATION**, Kyoto (JP)

(\*\*) Term: **14 Years**

\* cited by examiner

(21) Appl. No.: **29/458,848**

*Primary Examiner* — Daniel Bui

(22) Filed: **Jun. 24, 2013**

(74) *Attorney, Agent, or Firm* — Harness, Dickey & Pierce,  
P.L.C.

(30) **Foreign Application Priority Data**

(57) **CLAIM**

Dec. 25, 2012	(JP)	.....	2012-031442
Dec. 25, 2012	(JP)	.....	2012-031443
Dec. 25, 2012	(JP)	.....	2012-031444
Dec. 25, 2012	(JP)	.....	2012-031445

The ornamental design for an electric connector, as shown  
and described.

(51) **LOC (10) Cl.** ..... **13-03**

**DESCRIPTION**

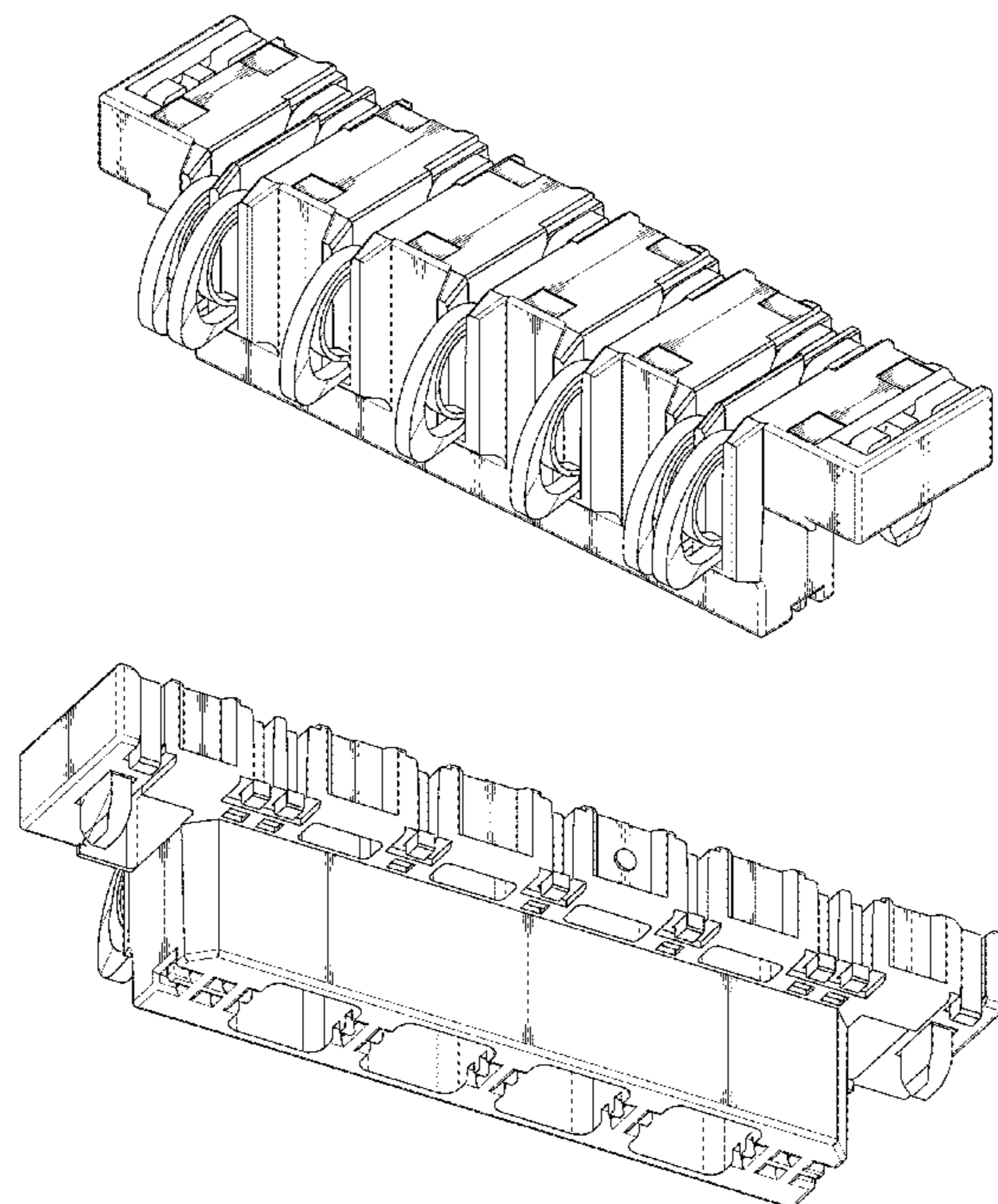
(52) **U.S. Cl.**  
USPC ..... **D13/154**

(58) **Field of Classification Search**  
USPC ..... D13/147, 154, 184, 194; 439/607.01,  
439/607.04, 607.05, 607.17, 607.25,  
439/607.34, 607.41, 607.53, 623, 660, 668,  
439/680, 792, 839, 842, 843, 845, 846, 849,  
439/850, 865, 866, 867, 868, 869, 870, 871,  
439/872, 873, 874, 875, 876, 877, 878, 879,  
439/880, 881, 882, 883, 884, 885, 886, 887,  
439/888, 889, 890, 891, 894

FIG. 1 is a top, front and right side perspective view of an  
electric connector showing our new design;  
FIG. 2 is a bottom, rear and right side perspective view  
thereof;  
FIG. 3 is a front elevational view thereof;  
FIG. 4 is a rear elevational view thereof;  
FIG. 5 is a left side view thereof;  
FIG. 6 is a right side view thereof;  
FIG. 7 is a top plan view thereof; and,  
FIG. 8 is a bottom plan view thereof.  
The broken lines depict environmental subject matter only  
and form no part of the claimed design. The dash-dot line  
represents the boundary of the claimed design.

See application file for complete search history.

**1 Claim, 5 Drawing Sheets**



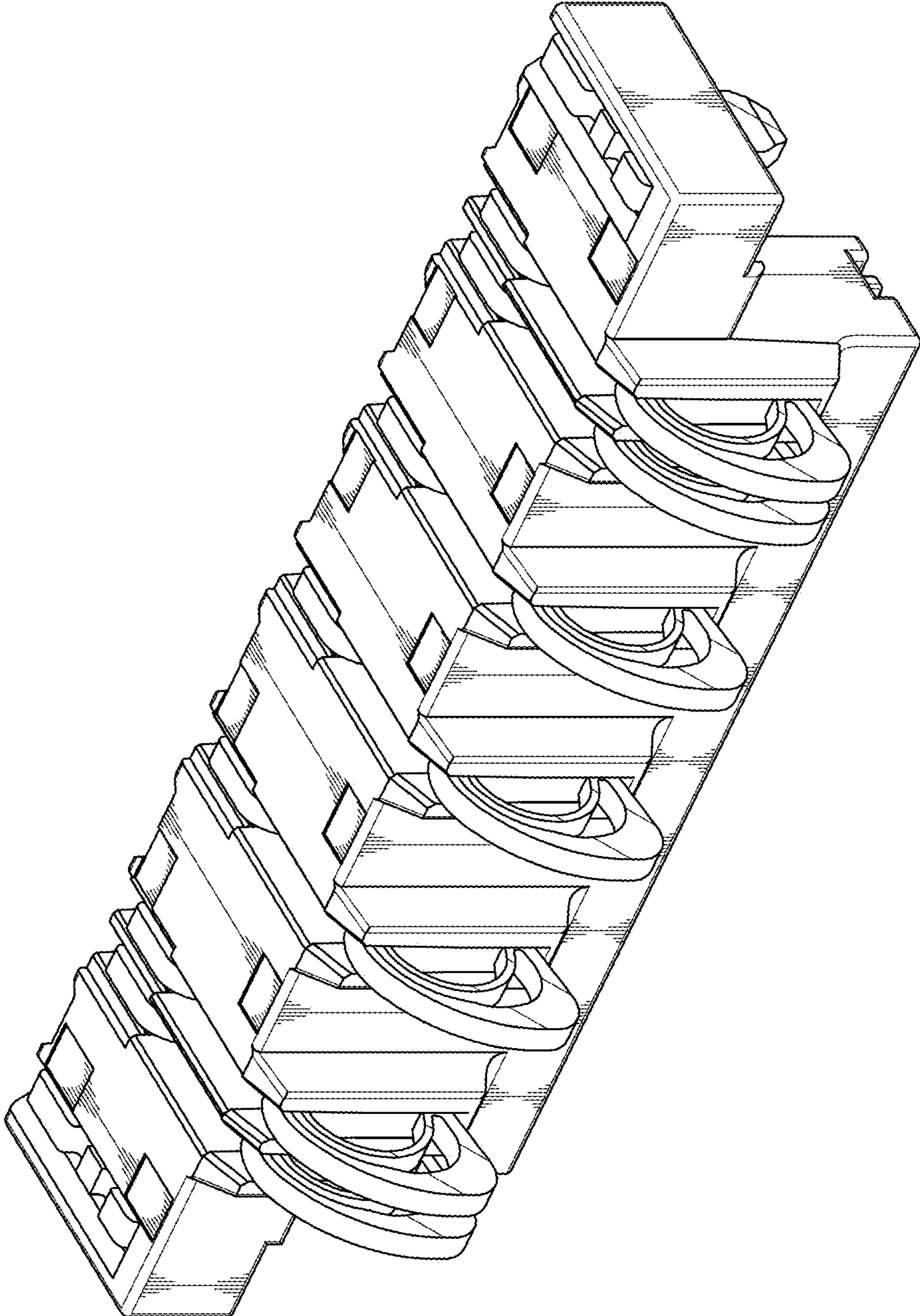
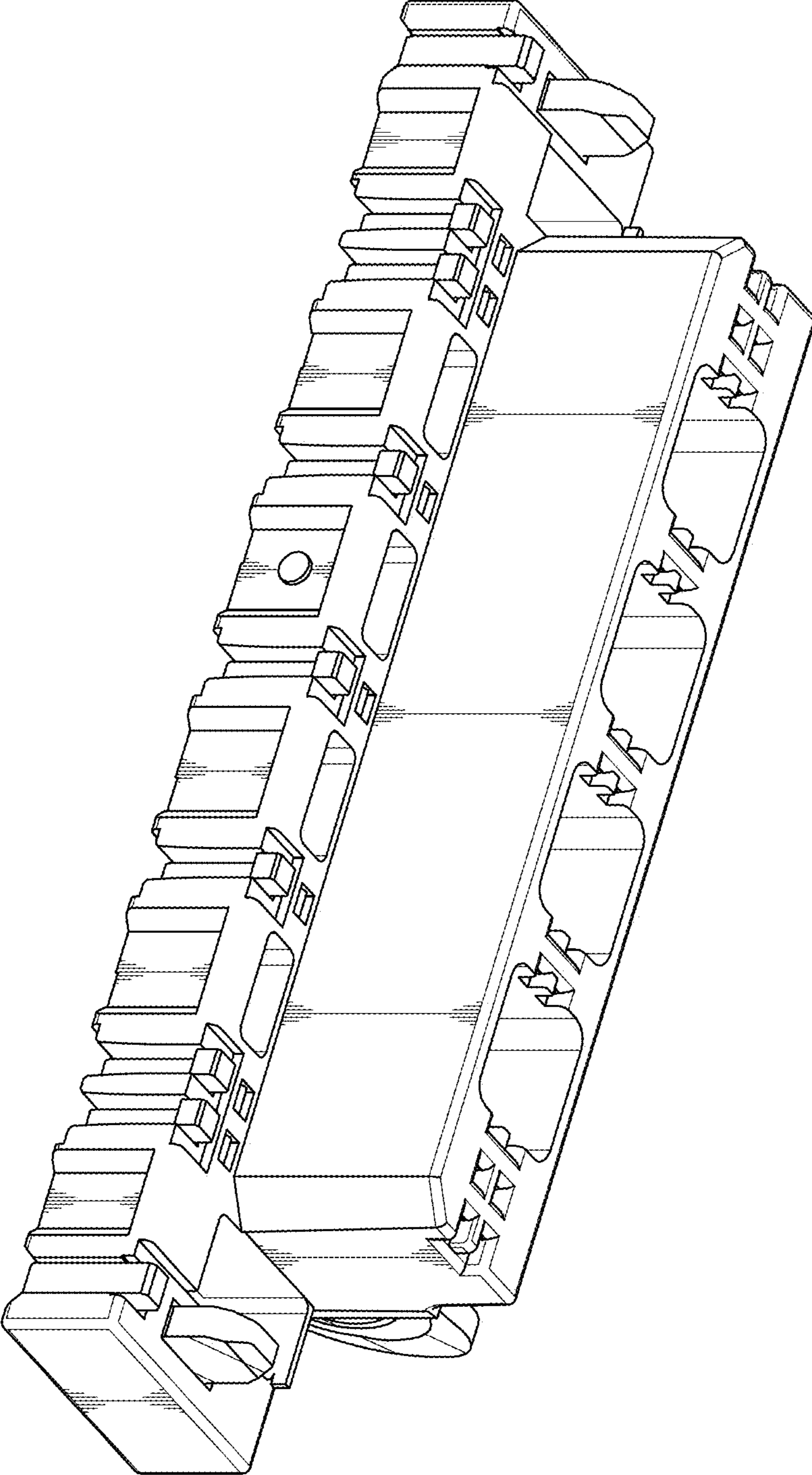


Fig. 1

Fig. 2





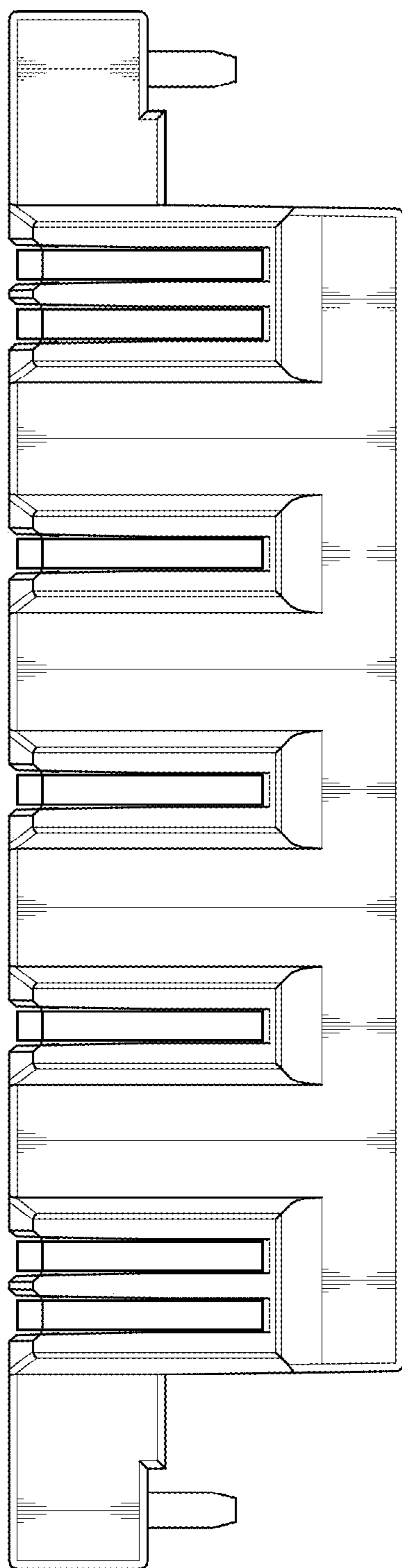


Fig. 3

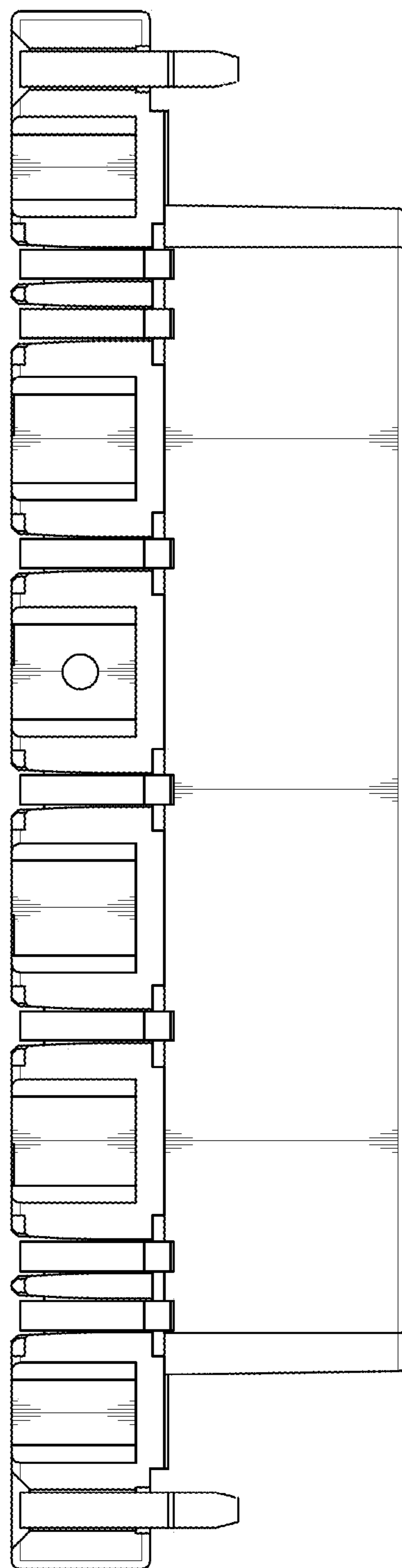


Fig. 4

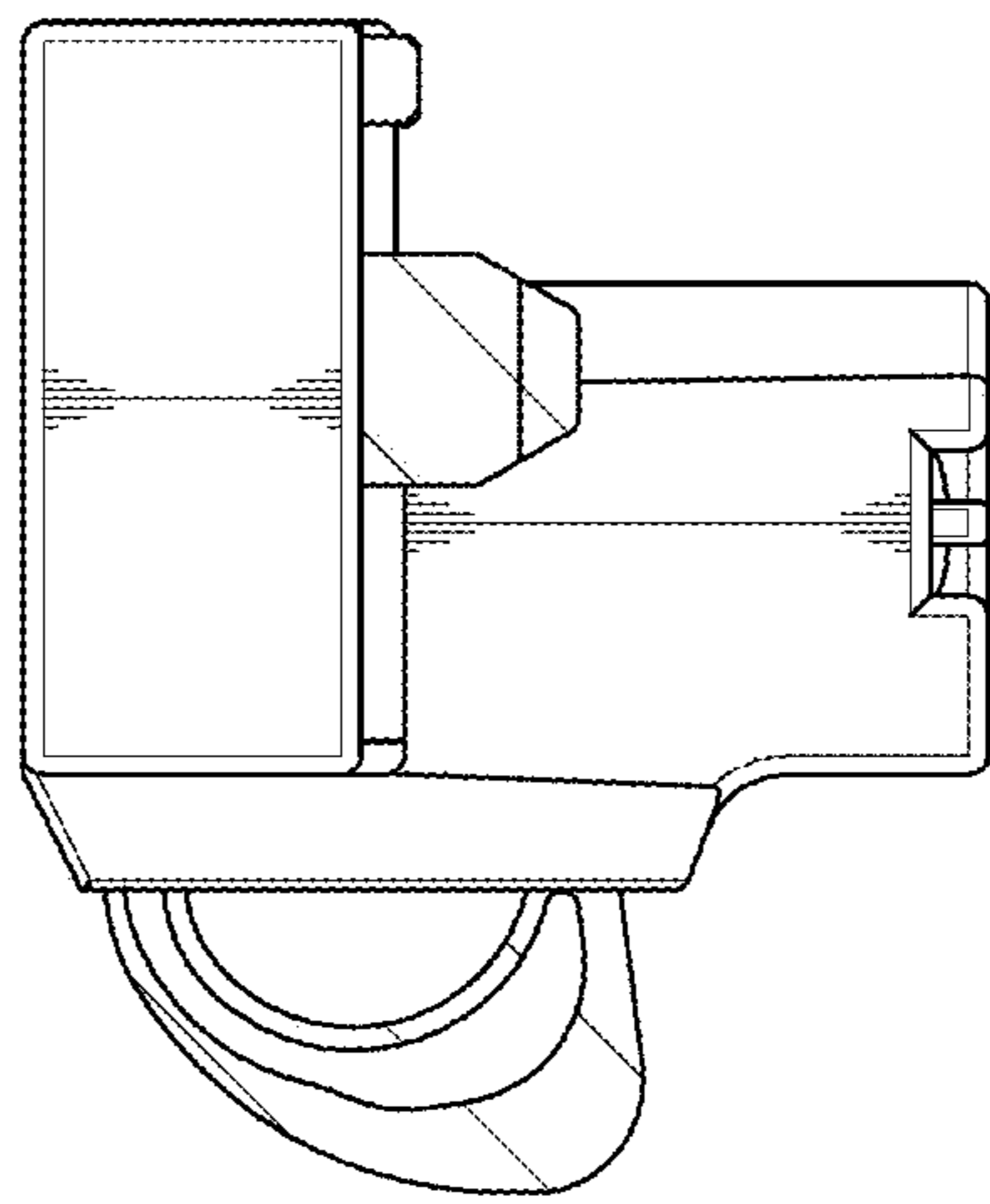


Fig. 6

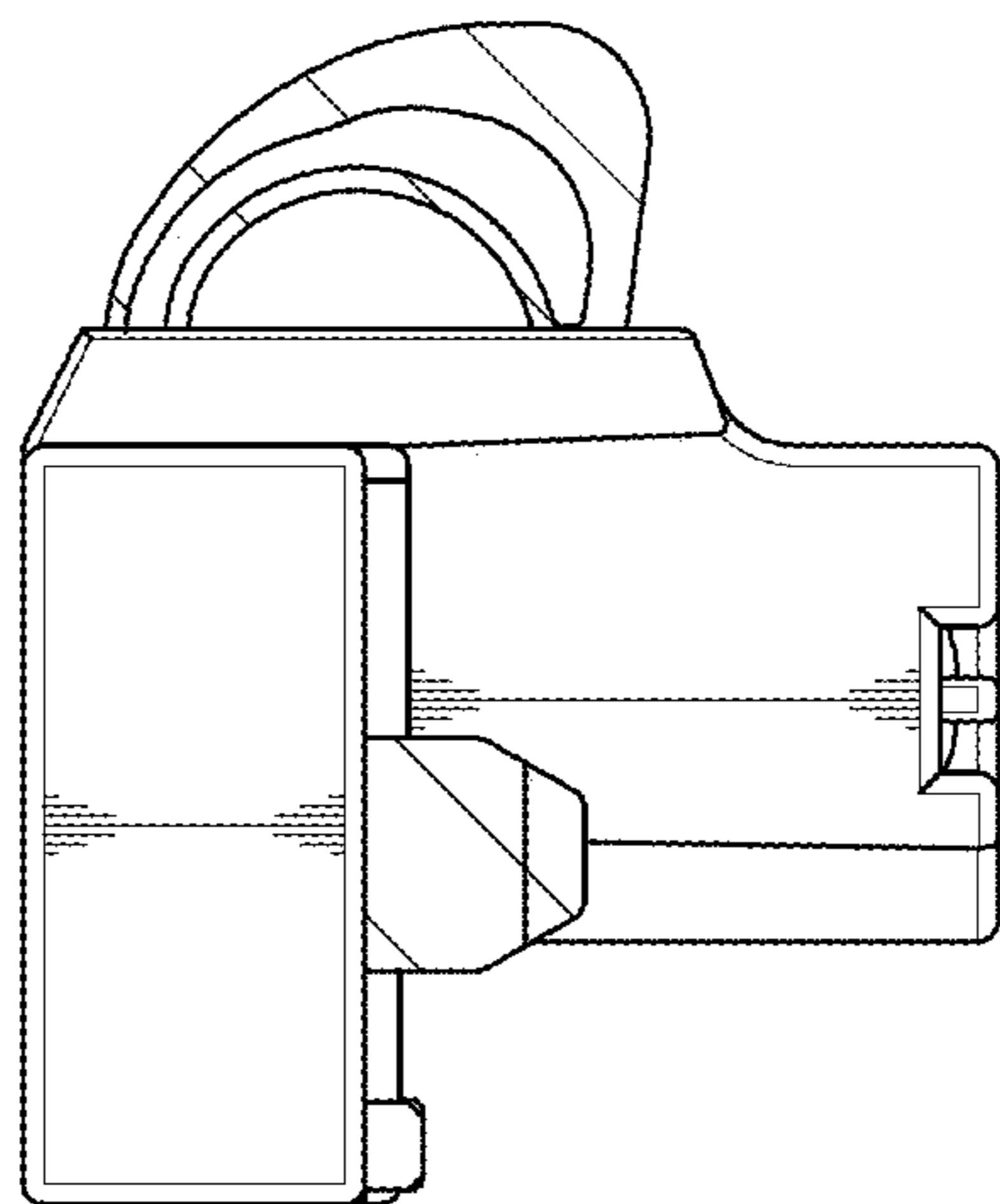


Fig. 5

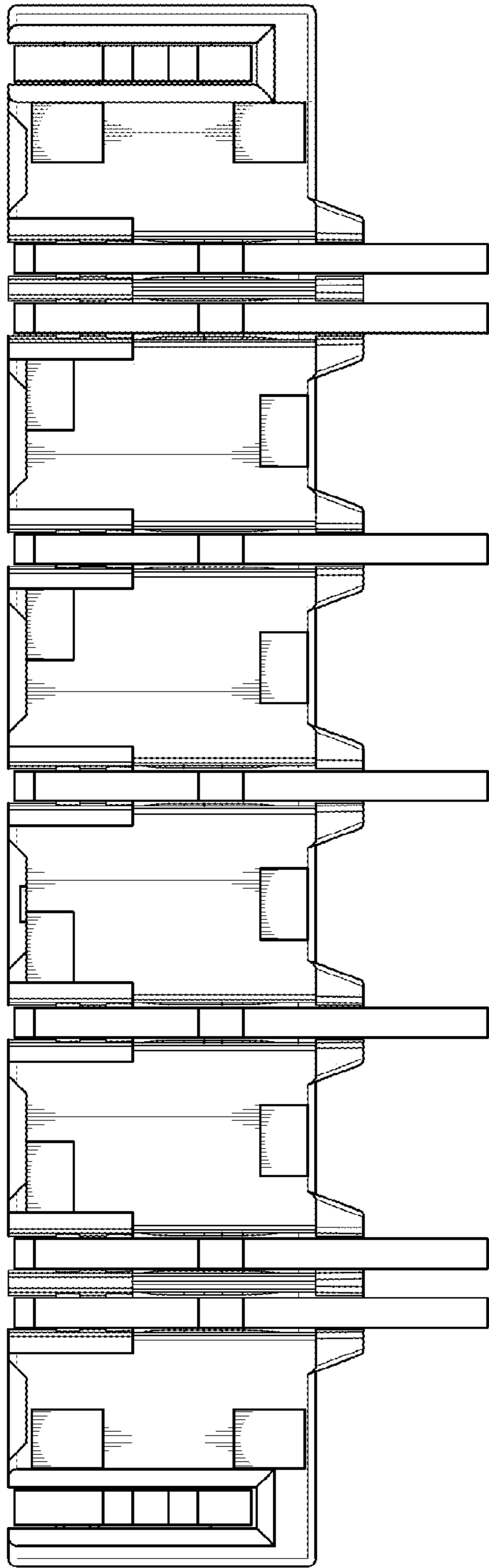


Fig. 7

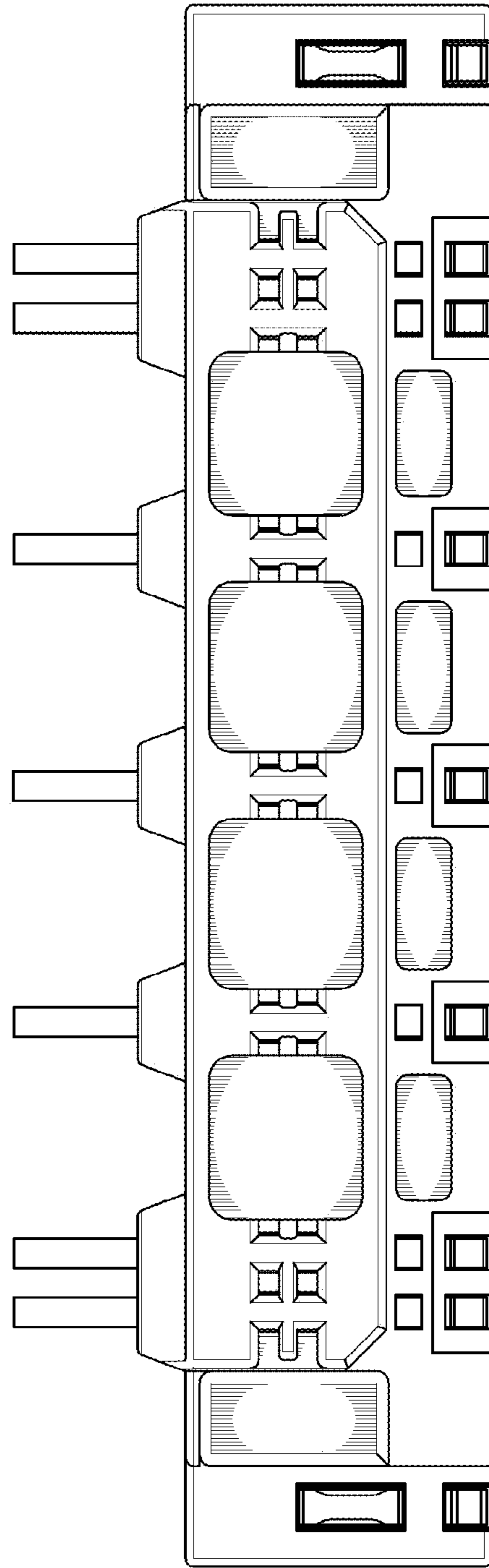


Fig. 8