



US00D731432S

(12) **United States Design Patent**
Murphy et al.

(10) **Patent No.:** **US D731,432 S**
(45) **Date of Patent:** **** Jun. 9, 2015**

(54) **UNIVERSAL SERIAL BUS ELECTRICAL WIRING DEVICE**

(71) Applicant: **Pass & Seymour, Inc.**, Syracuse, NY (US)

(72) Inventors: **Patrick J. Murphy**, Marcellus, NY (US); **Thomas F. Roy**, Camillus, NY (US)

(73) Assignee: **Pass & Seymour, Inc.**, Syracuse, NY (US)

(**) Term: **14 Years**

(21) Appl. No.: **29/507,075**

(22) Filed: **Oct. 23, 2014**

Related U.S. Application Data

(63) Continuation-in-part of application No. 29/427,806, filed on Jul. 23, 2012.

(51) **LOC (10) Cl.** **09-03**

(52) **U.S. Cl.**
USPC **D13/139.1**

(58) **Field of Classification Search**
USPC D13/139.1, 139.3, 156, 152, 137.1,
D13/138.1, 138.2, 139.4; 335/18;
297/452.18; D8/353; 29/593;
D10/114.1; 174/66, 37-38
See application file for complete search history.

(56) **References Cited**

U.S. PATENT DOCUMENTS

D269,969 S * 8/1983 Doyle et al. D13/139.3
5,510,760 A * 4/1996 Marcou et al. 335/18

(Continued)

OTHER PUBLICATIONS

http://www.kyledesigns.com/product/SW_IVORY_SWITCHES/Ivory-Electrical-Light-Sw..., as of Jun. 20, 2013.

Primary Examiner — Ian Simmons

Assistant Examiner — Rhea Shields

(74) *Attorney, Agent, or Firm* — Daniel P. Malley; Bond Schoeneck & King, PLLC

(57) **CLAIM**

The ornamental design for a Universal Serial Bus electrical wiring device, as shown and described.

DESCRIPTION

FIG. 1 is a front view showing the USB electrical wiring device, the device includes two single USB port openings and a receptacle disposed at the opposite end, with broken lines depicting unclaimed subject matter that forms no part of the design.

FIG. 2 is a front view showing the USB electrical wiring device, the device includes two single USB port openings and a receptacle disposed at the opposite end, with broken lines depicting unclaimed subject matter that forms no part of the design.

FIG. 3 is an isometric view of the USB electrical wiring device depicted in FIG. 1, with broken lines depicting unclaimed subject matter that forms no part of the claimed design;

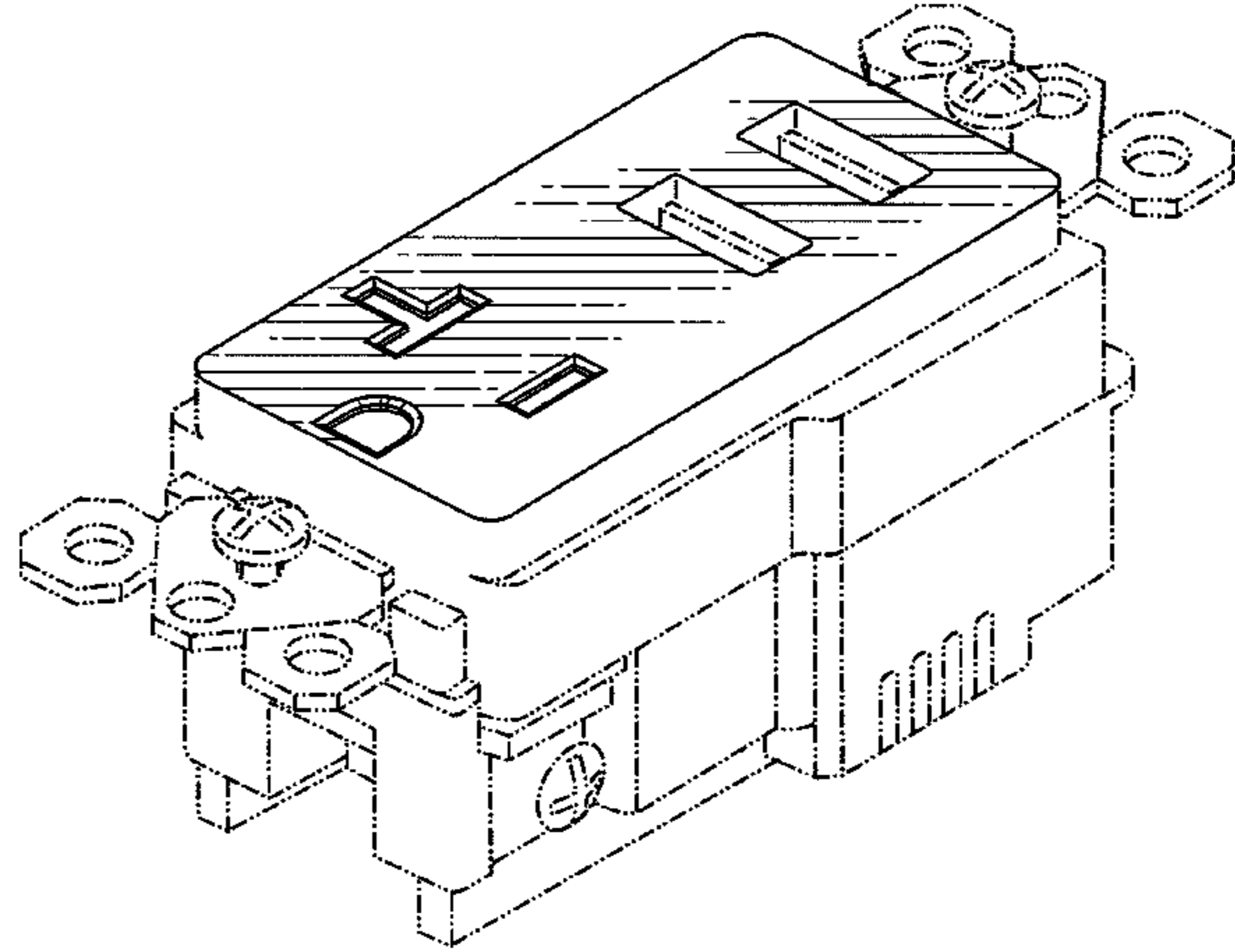
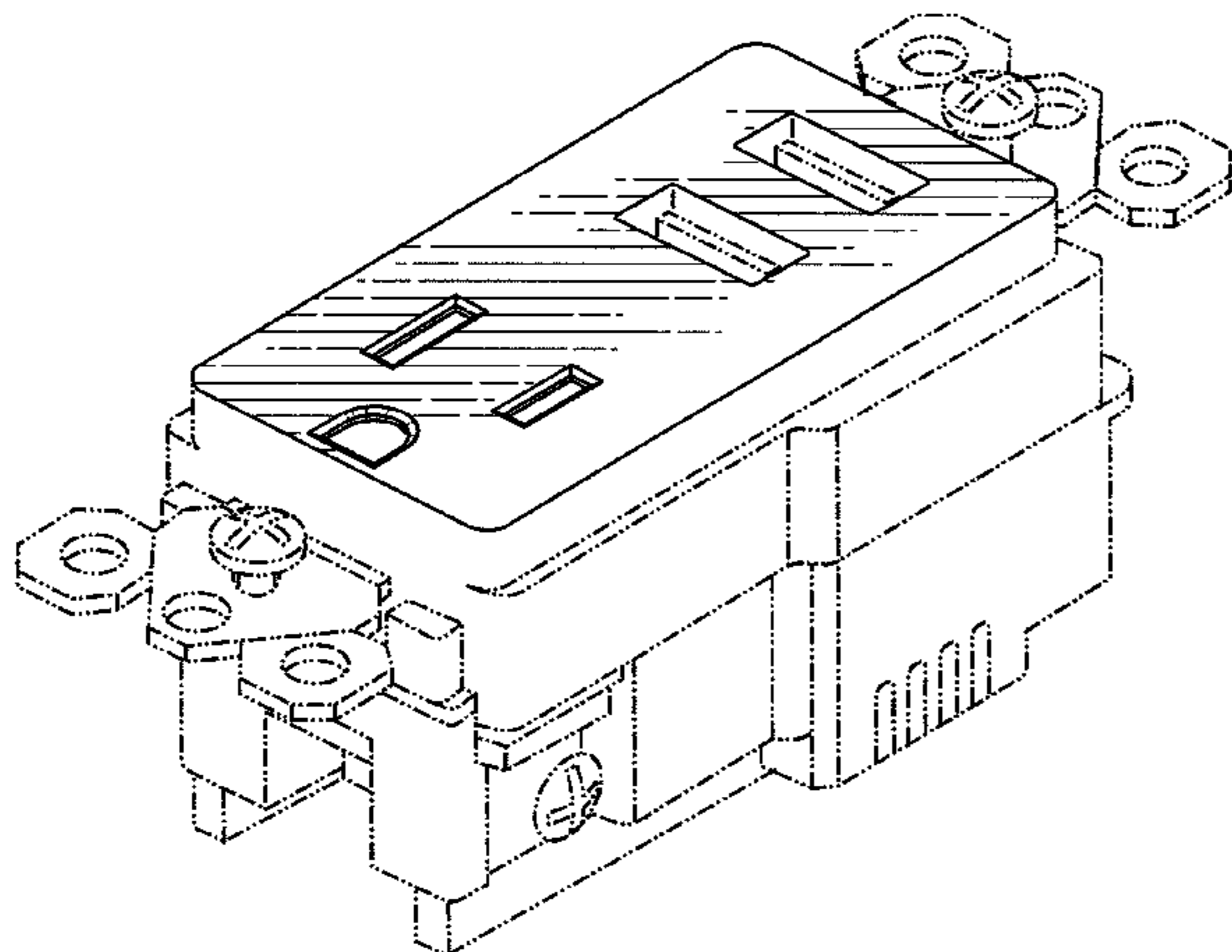
FIG. 4 is an isometric view of the USB electrical wiring device depicted in FIG. 2, with broken lines depicting unclaimed subject matter that forms no part of the claimed design;

FIG. 5 is a side view of the USB electrical wiring device depicted in FIG. 1 and FIG. 2, with broken lines depicting unclaimed subject matter that forms no part of the claimed design;

FIG. 6 is a first end view of the USB electrical wiring device depicted in FIG. 1 and FIG. 2, with broken lines depicting unclaimed subject matter that forms no part of the claimed design; and,

FIG. 7 is a second end view of the USB electrical wiring device depicted in FIG. 1 and FIG. 2, with broken lines depicting unclaimed subject matter that forms no part of the claimed design.

1 Claim, 3 Drawing Sheets



(56)

References Cited

U.S. PATENT DOCUMENTS

5,594,398	A *	1/1997	Marcou et al.	335/18	7,140,922	B2	11/2006	Luu et al.	
5,636,901	A *	6/1997	Grilliot et al.	297/452.18	7,167,372	B2	1/2007	Mori et al.	
5,954,523	A	9/1999	Babcock		7,212,420	B2	5/2007	Liao	
6,050,849	A	4/2000	Chang		7,242,111	B2	7/2007	Menas et al.	
6,056,578	A	5/2000	Lin		D558,676	S *	1/2008	Fort et al.	D13/139.3
D427,887	S *	7/2000	Leopold et al.	D8/353	7,338,328	B2	3/2008	Krieger et al.	
6,141,221	A	10/2000	Tong et al.		7,528,323	B2	5/2009	Wu et al.	
6,199,264	B1 *	3/2001	Marcou et al.	29/593	D607,816	S	1/2010	Chen et al.	
6,210,216	B1	4/2001	Tso-Chin et al.		7,766,698	B1	8/2010	De Iuliis et al.	
6,211,581	B1	4/2001	Farrant		D623,596	S *	9/2010	Lamoureux et al.	D13/139.1
6,305,986	B1	10/2001	Hwang		7,855,528	B2	12/2010	Lee	
6,346,009	B1	2/2002	Lin		D631,440	S *	1/2011	Lamoureux et al.	D13/139.1
6,362,987	B1	3/2002	Yurek et al.		7,997,925	B2	8/2011	Lam et al.	
D462,660	S *	9/2002	Huang et al.	D13/139.3	8,011,937	B2	9/2011	Odds et al.	
D465,769	S	11/2002	Zhang et al.		8,115,591	B2	2/2012	Fair et al.	
6,722,917	B2	4/2004	Huang		8,134,254	B2	3/2012	Makwinski	
6,722,924	B1	4/2004	Zhou et al.		8,170,623	B2	5/2012	Dorogusker	
6,736,677	B1	5/2004	Lin et al.		D674,753	S *	1/2013	Jansen et al.	D13/139.1
D494,934	S	8/2004	Milan		2005/0088834	A1	4/2005	Milan	
6,776,658	B2	8/2004	Tang		2006/0085584	A1	4/2006	Chen et al.	
6,799,997	B2	10/2004	Lin et al.		2007/0015401	A1	1/2007	Sun	
6,811,415	B2	11/2004	Chen		2007/0072476	A1	3/2007	Milan	
6,843,684	B2	1/2005	Milan		2007/0182363	A1	8/2007	Yang	
D505,758	S *	5/2005	Rohmer et al.	D13/156	2007/0247800	A1	10/2007	Smith et al.	
6,943,296	B2	9/2005	Perrella et al.		2008/0012423	A1	1/2008	Mimran	
D515,959	S *	2/2006	Nelson et al.	D10/114.1	2008/0122292	A1	5/2008	Minami	
					2008/0318474	A1	12/2008	Crottinger et al.	
					2010/0246232	A1	9/2010	Chen et al.	

* cited by examiner

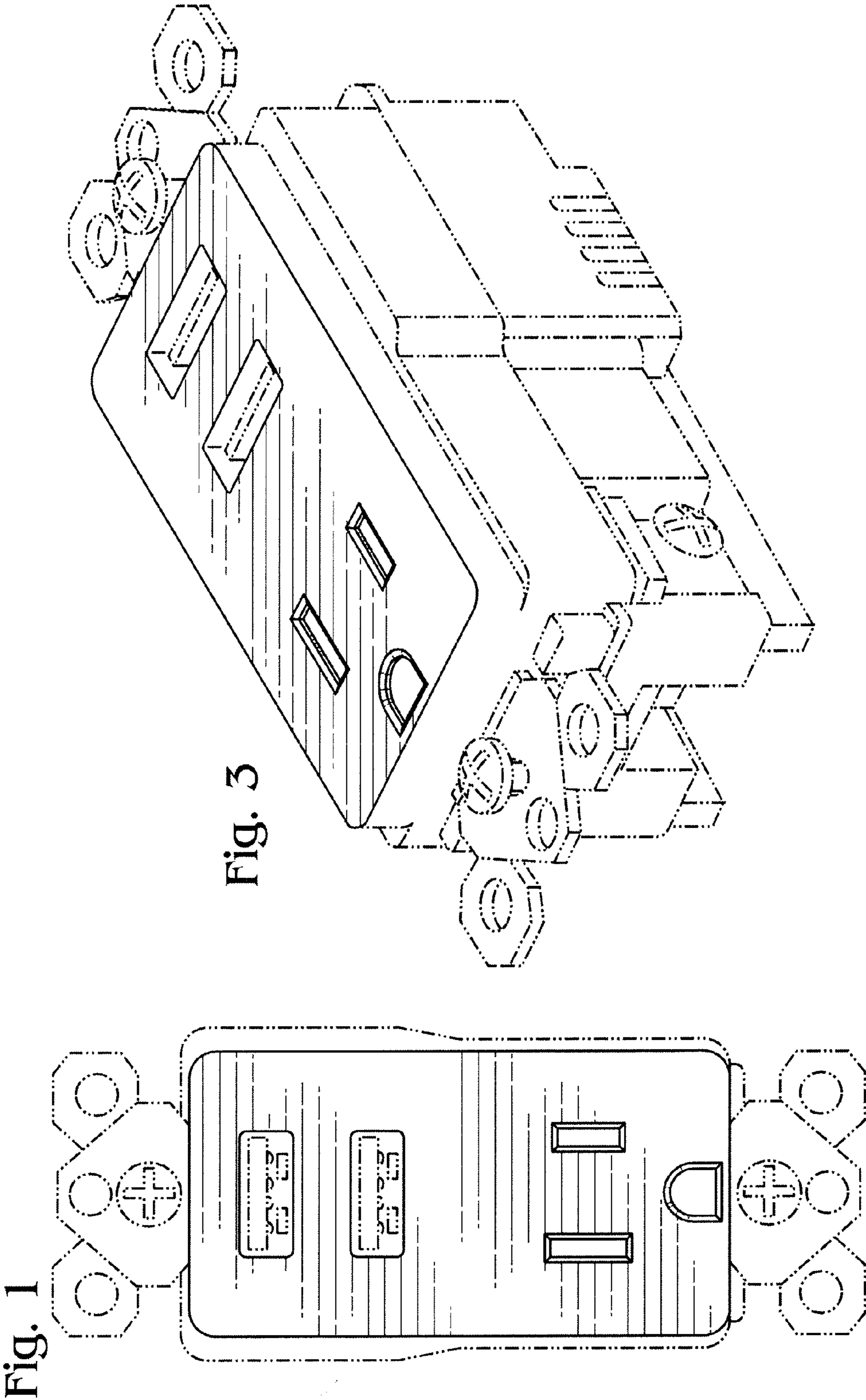


Fig. 1

Fig. 3

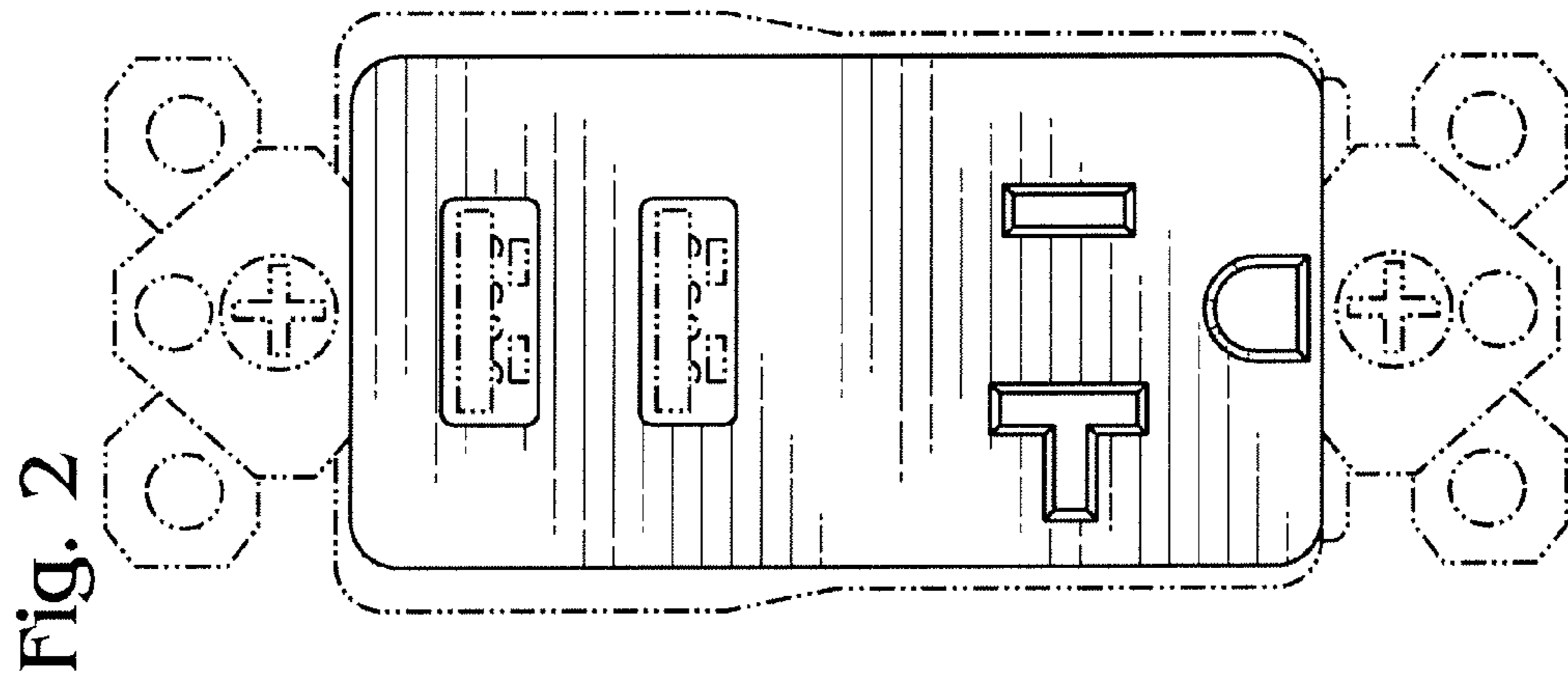
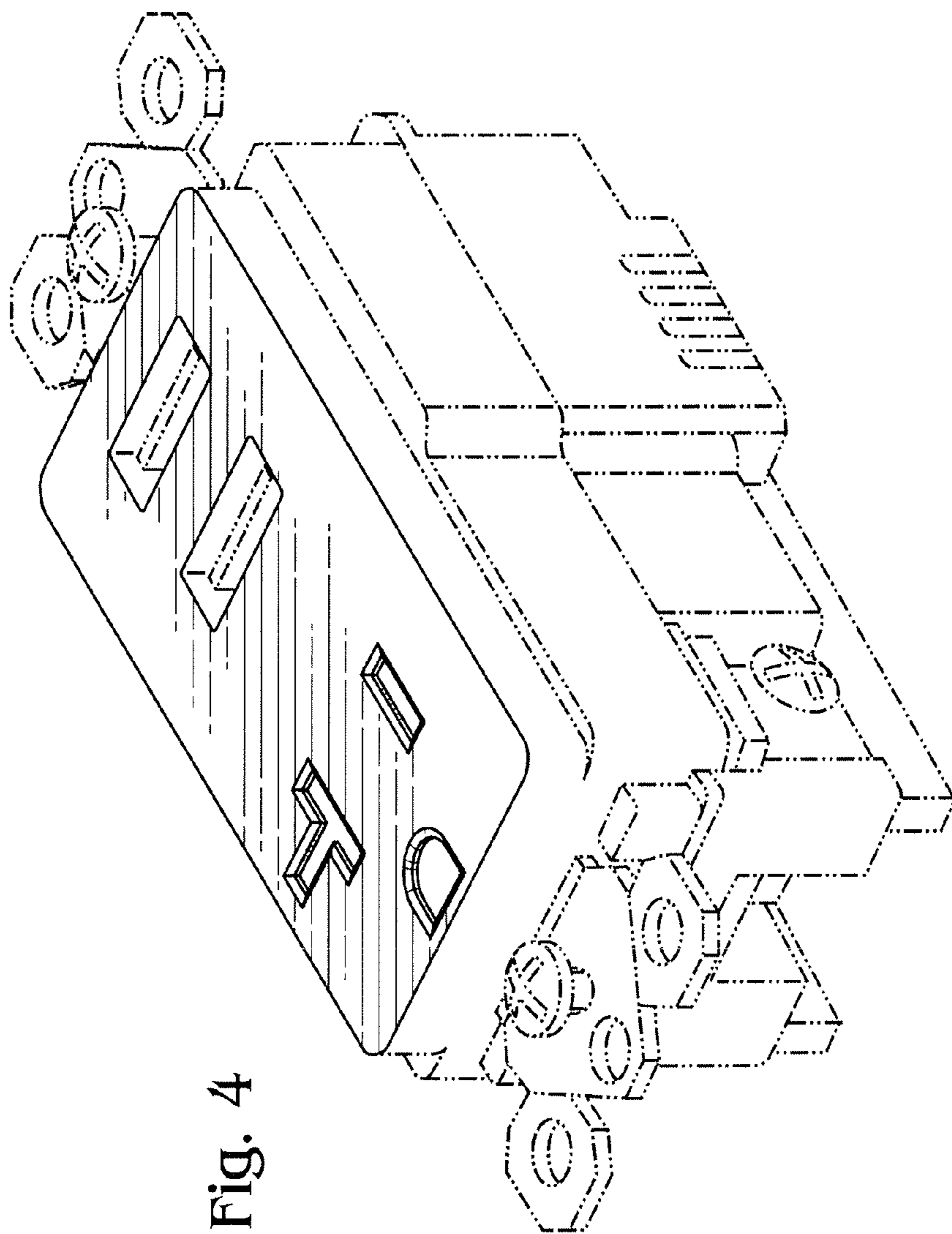


Fig. 5

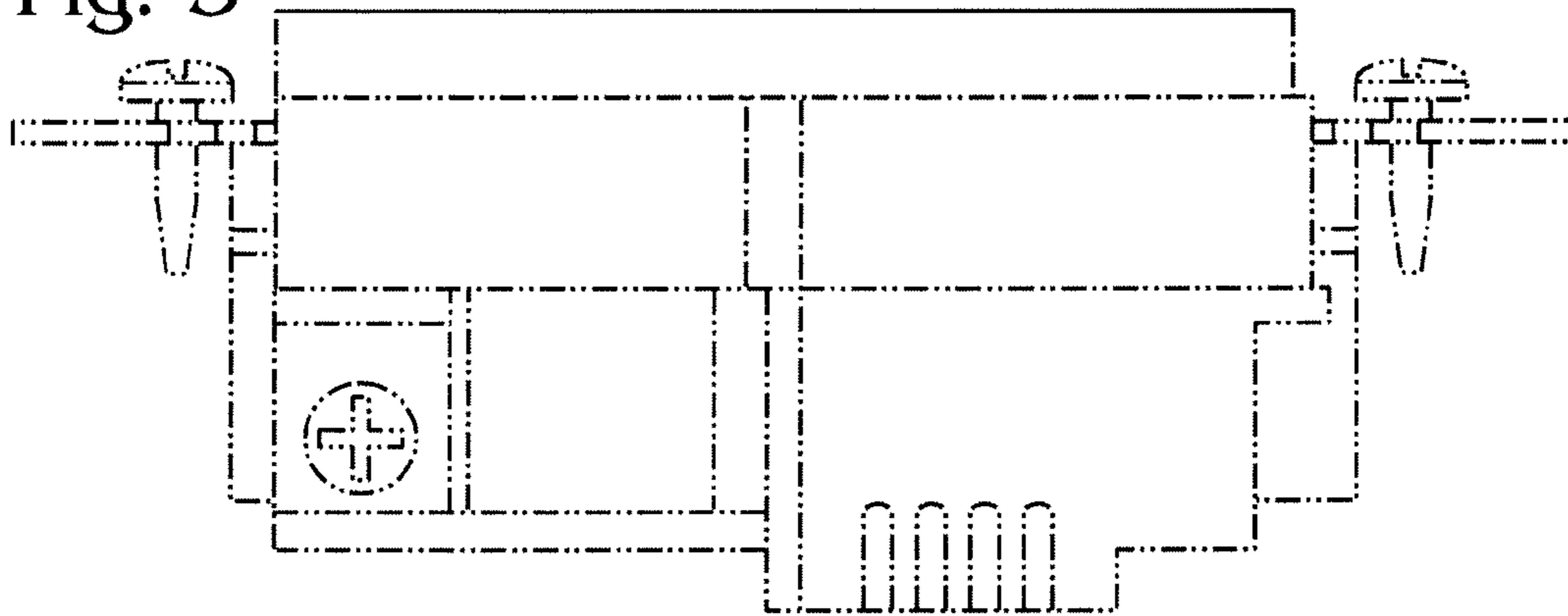


Fig. 6

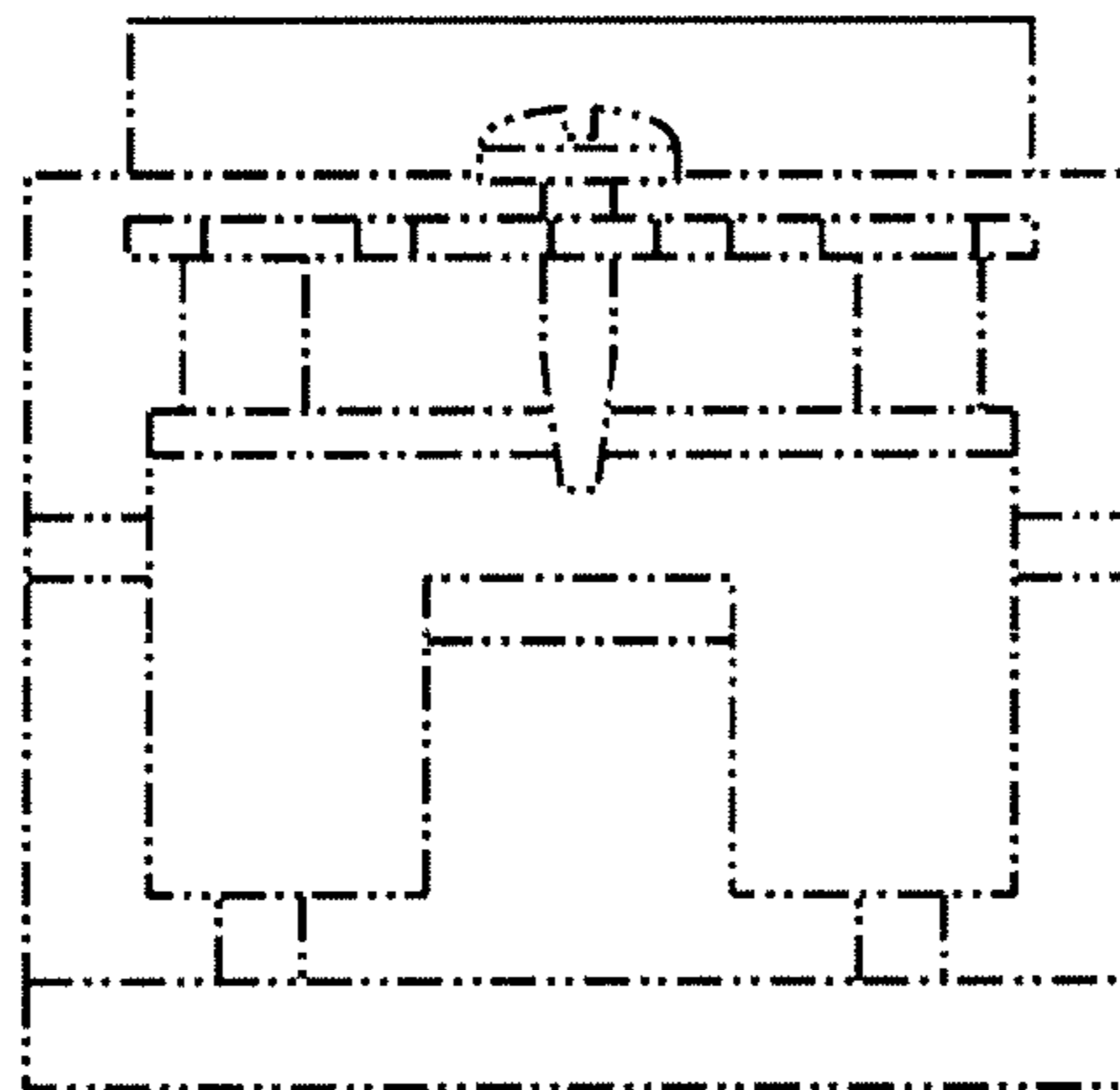


Fig. 7

