



US00D731431S

(12) **United States Design Patent**
Lum et al.

(10) **Patent No.:** **US D731,431 S**
(45) **Date of Patent:** **** Jun. 9, 2015**

(54) **POWER STRIP MODULE**

(71) Applicant: **LDA, LLC**, Irvine, CA (US)

(72) Inventors: **Myk Lum**, Irvine, CA (US); **Takahide Okai**, Highland Park, NJ (US); **Kit Mok**, Lakewood, CA (US); **Kasin Chan**, Alhambra, CA (US)

(73) Assignee: **LDA, LLC**, Irvine, CA (US)

(**) Term: **14 Years**

(21) Appl. No.: **29/468,867**

(22) Filed: **Oct. 3, 2013**

(51) **LOC (10) Cl.** **13-03**

(52) **U.S. Cl.**
USPC **D13/139.1**

(58) **Field of Classification Search**
USPC D13/139.1-139.8, 137.1-137.4, 199, D13/108; 220/3.2-3.8, 3.94; 174/56, 48, 55, 174/57, 392, 490, 53, 58; 439/539, 131, 439/214, 215, 535, 538, 544, 571, 721, 652, 439/738, 723, 620.22, 137, 640; 361/753, 361/56; D8/356; 219/201

See application file for complete search history.

(56) **References Cited**

U.S. PATENT DOCUMENTS

4,463,998	A *	8/1984	Reavis et al.	439/137
D306,012	S *	2/1990	Oesterheld et al.	D13/139.8
D405,416	S *	2/1999	Byrne	D13/139.4
6,875,051	B2 *	4/2005	Pizak	439/535
D528,508	S *	9/2006	Tan et al.	D13/139.8
D535,948	S *	1/2007	Lee	D13/139.8
D579,873	S *	11/2008	Gershfeld	D13/139.4
D591,233	S *	4/2009	Kagami et al.	D13/108

D608,621	S *	1/2010	Yu Chen	D8/356
D626,071	S *	10/2010	Su et al.	D13/139.8
D645,404	S *	9/2011	Chuang	D13/139.1
8,491,343	B2 *	7/2013	Wang et al.	439/640
2009/0294147	A1 *	12/2009	Stockton	174/56
2012/0031888	A1 *	2/2012	Byrne	219/201

OTHER PUBLICATIONS

Yanko Design, "Show-off The Strip", <http://www.yankodesign.com/2009/08/24/show-off-the-strip/>, Aug. 24, 2009.

Bluelounge, "Cable Management Solution", <http://www.bluelounge.com/products/cablebox/>, Nov. 25, 2014.

* cited by examiner

Primary Examiner — Holly Baynham

Assistant Examiner — Rhea Shields

(74) *Attorney, Agent, or Firm* — Stetina Brunda Garred & Brucker

(57) **CLAIM**

The ornamental design for a power strip module, as shown and described.

DESCRIPTION

FIG. 1 is a top perspective view showing the power strip module of the present invention with those features shown in phantom presented for exemplary purposes only;

FIG. 2 is a top plan view thereof;

FIG. 3 is a bottom plan view thereof;

FIG. 4 is a rear view thereof;

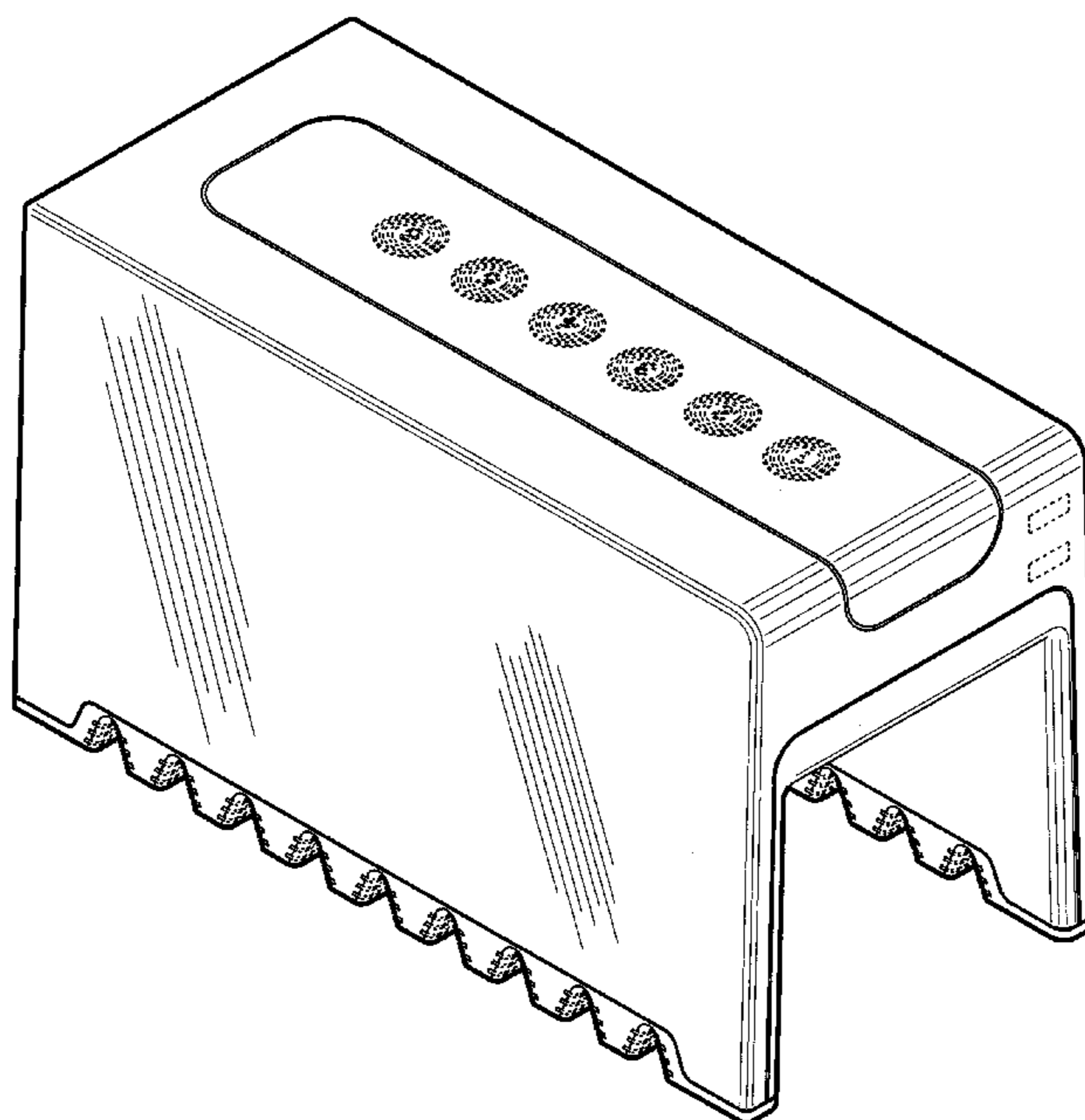
FIG. 5 is a front view thereof;

FIG. 6 is a left side view thereof; and,

FIG. 7 is a right side view thereof.

In the drawings, the broken lines are for the purpose of illustrating environment only and form no part of the claimed design.

1 Claim, 6 Drawing Sheets



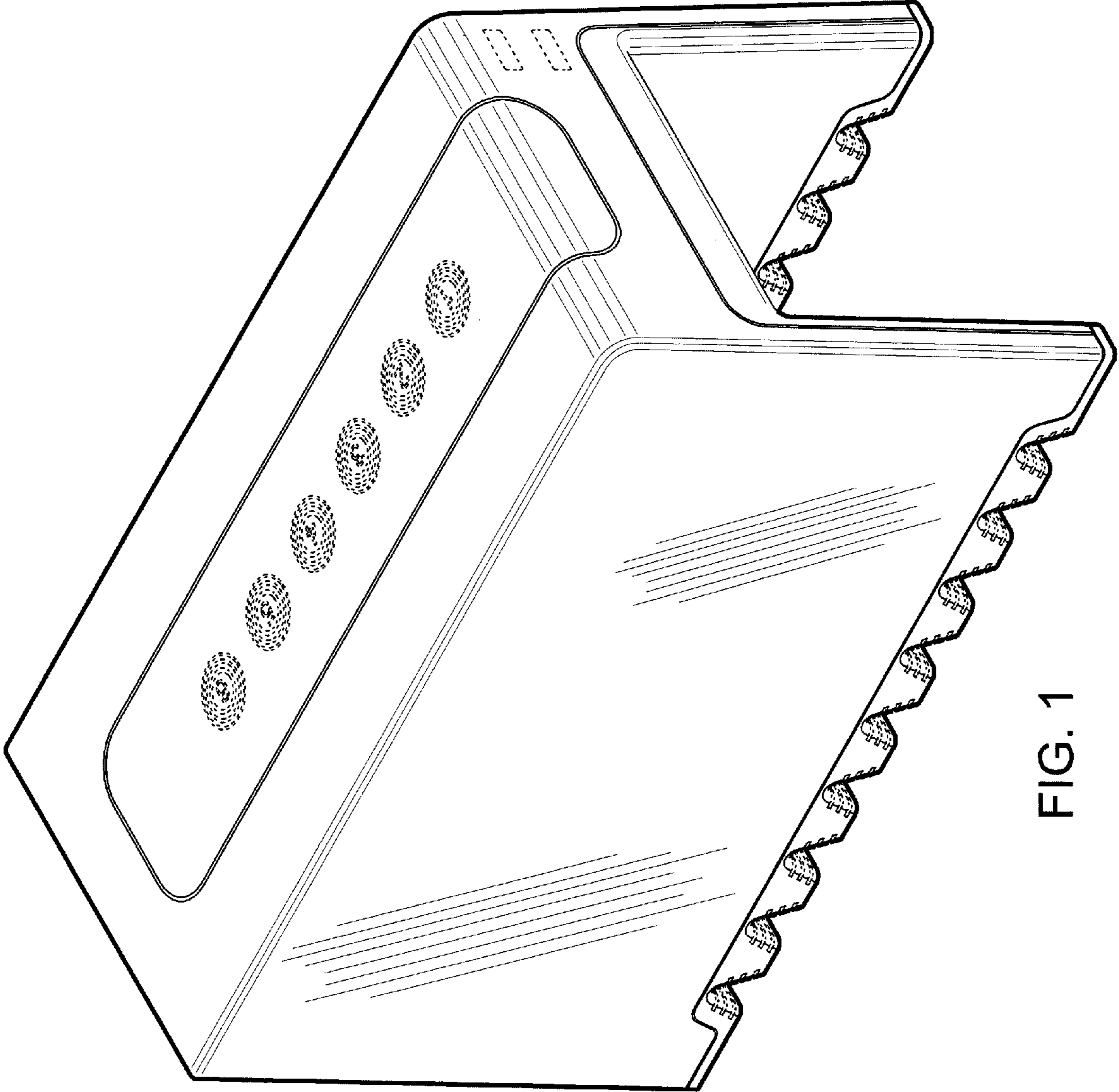


FIG. 1

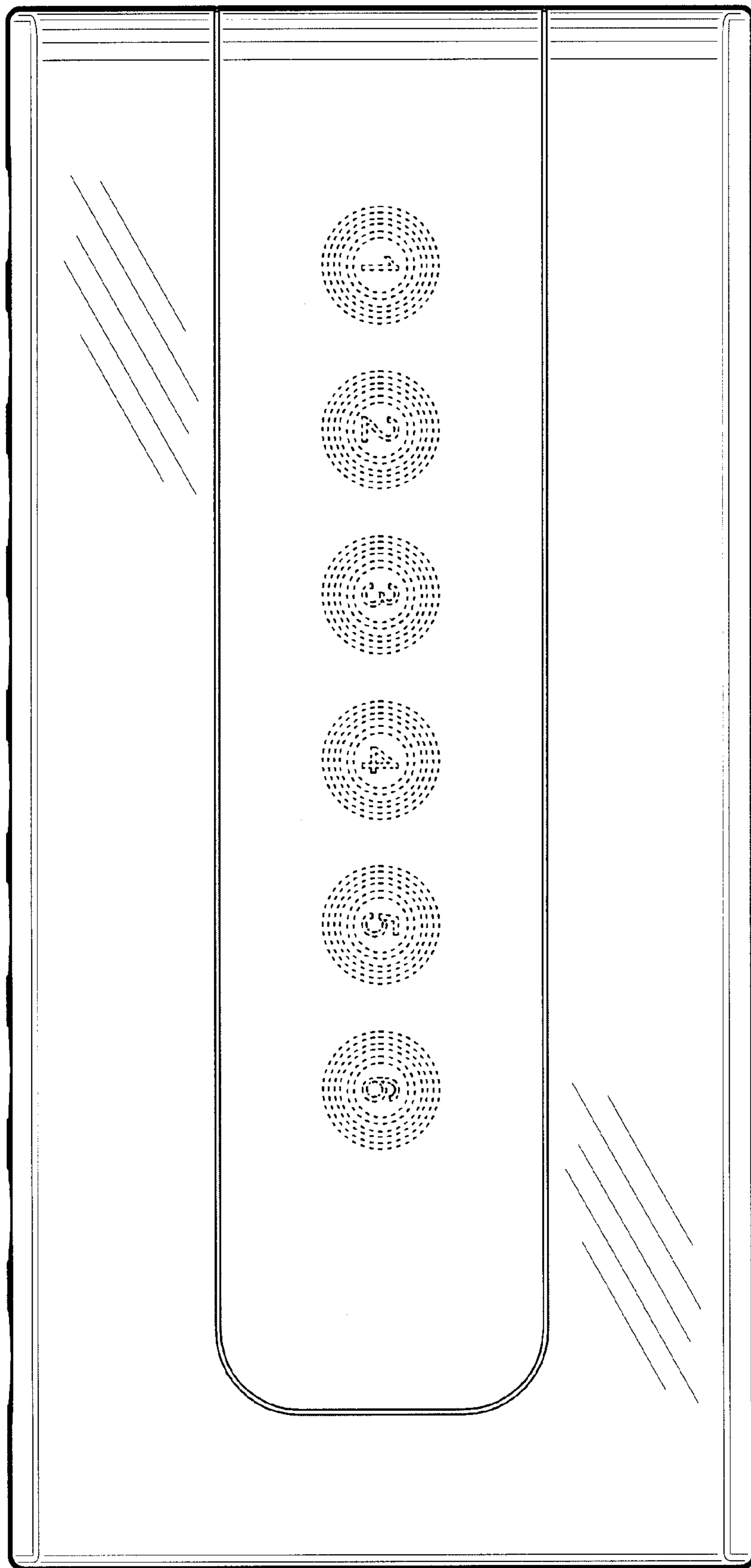


FIG. 2

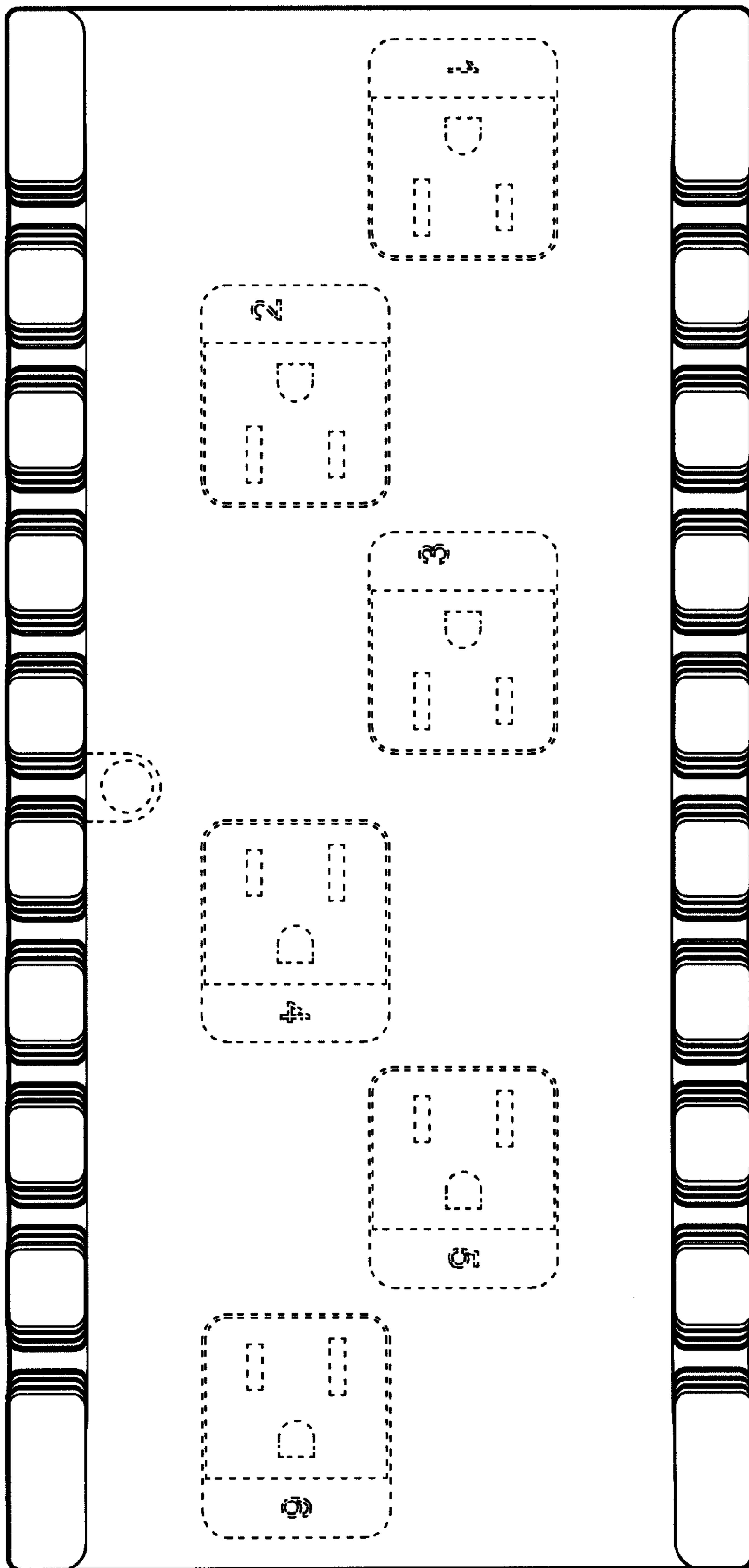


FIG. 3

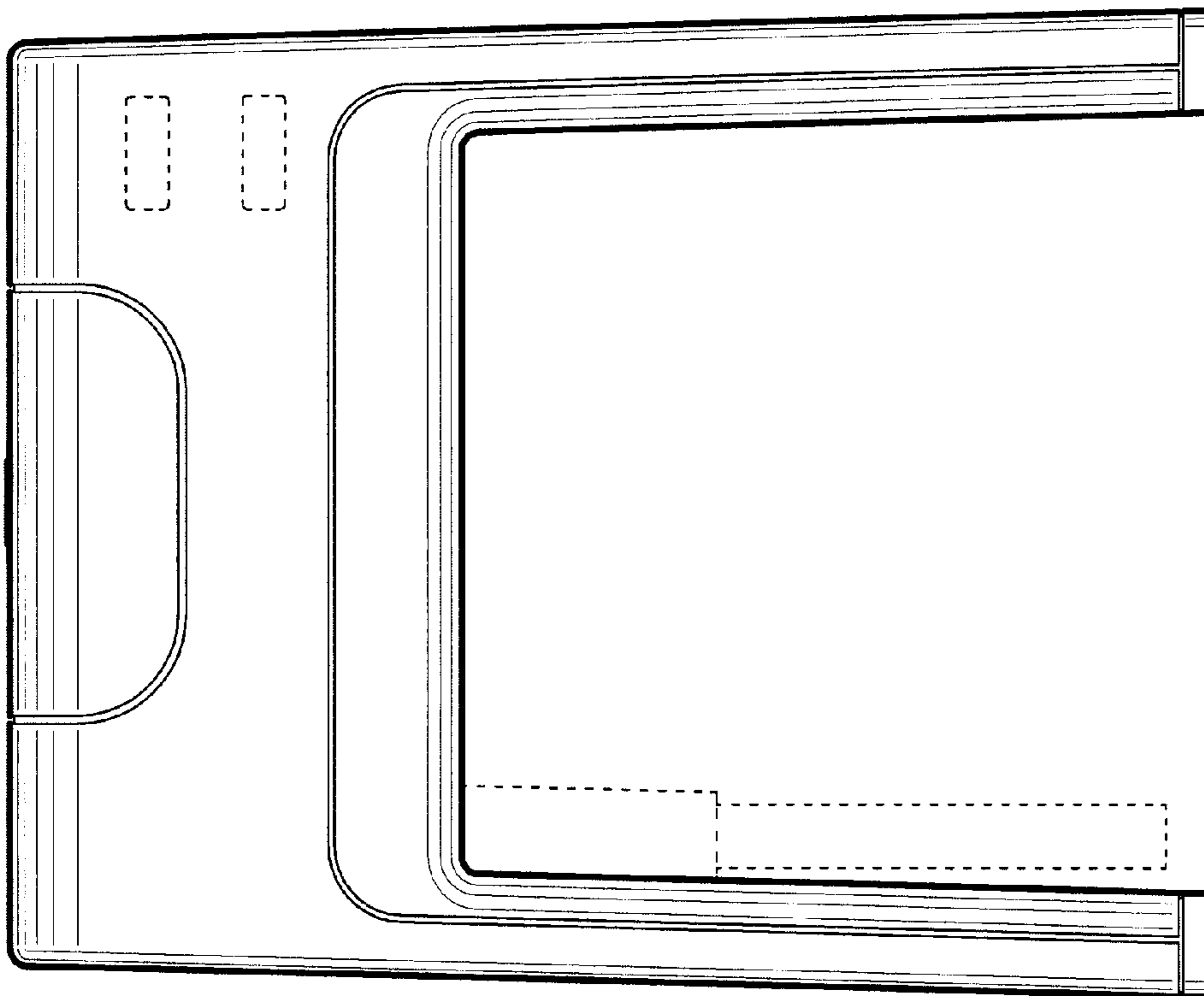


FIG. 5

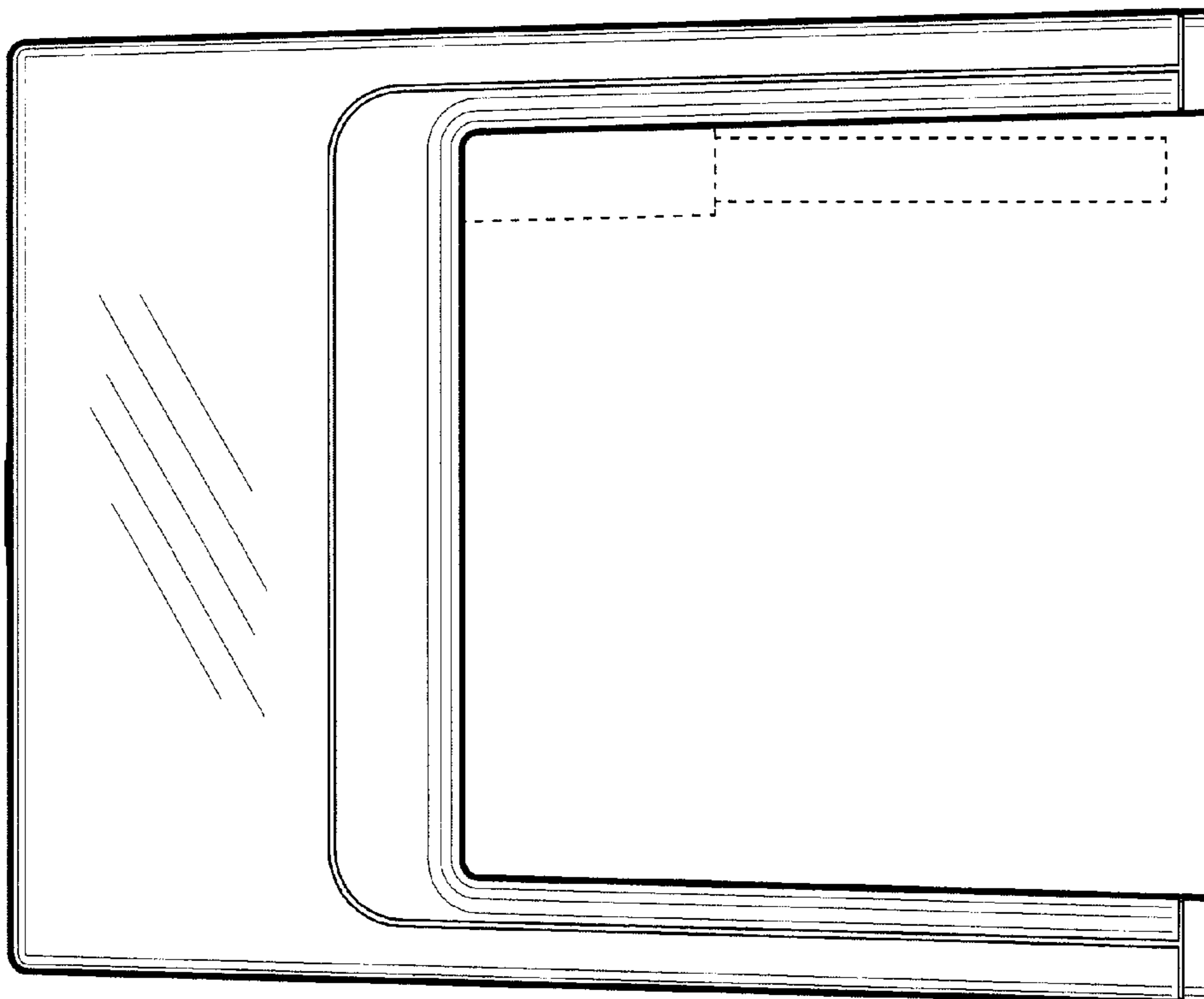


FIG. 4

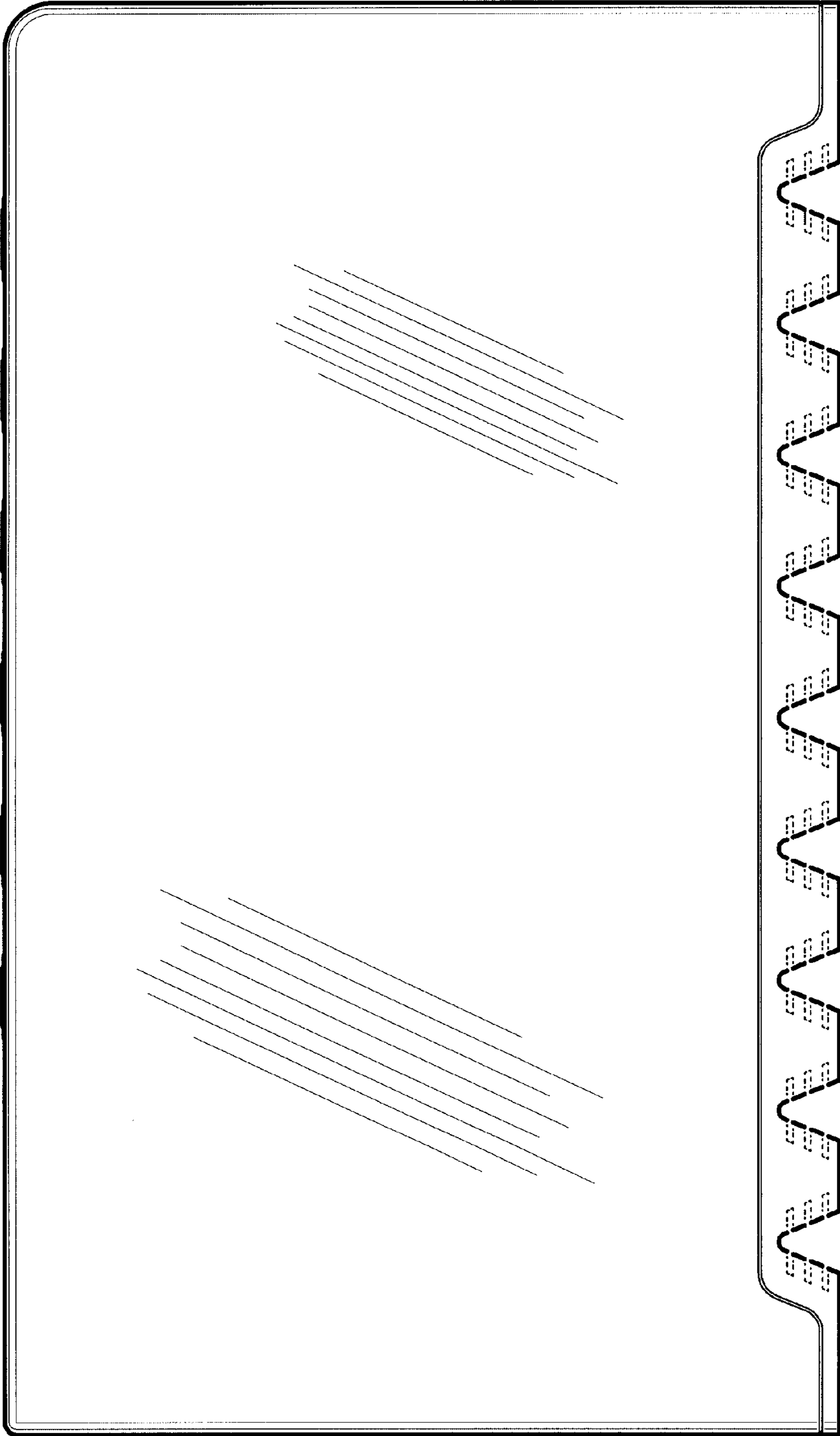


FIG. 6

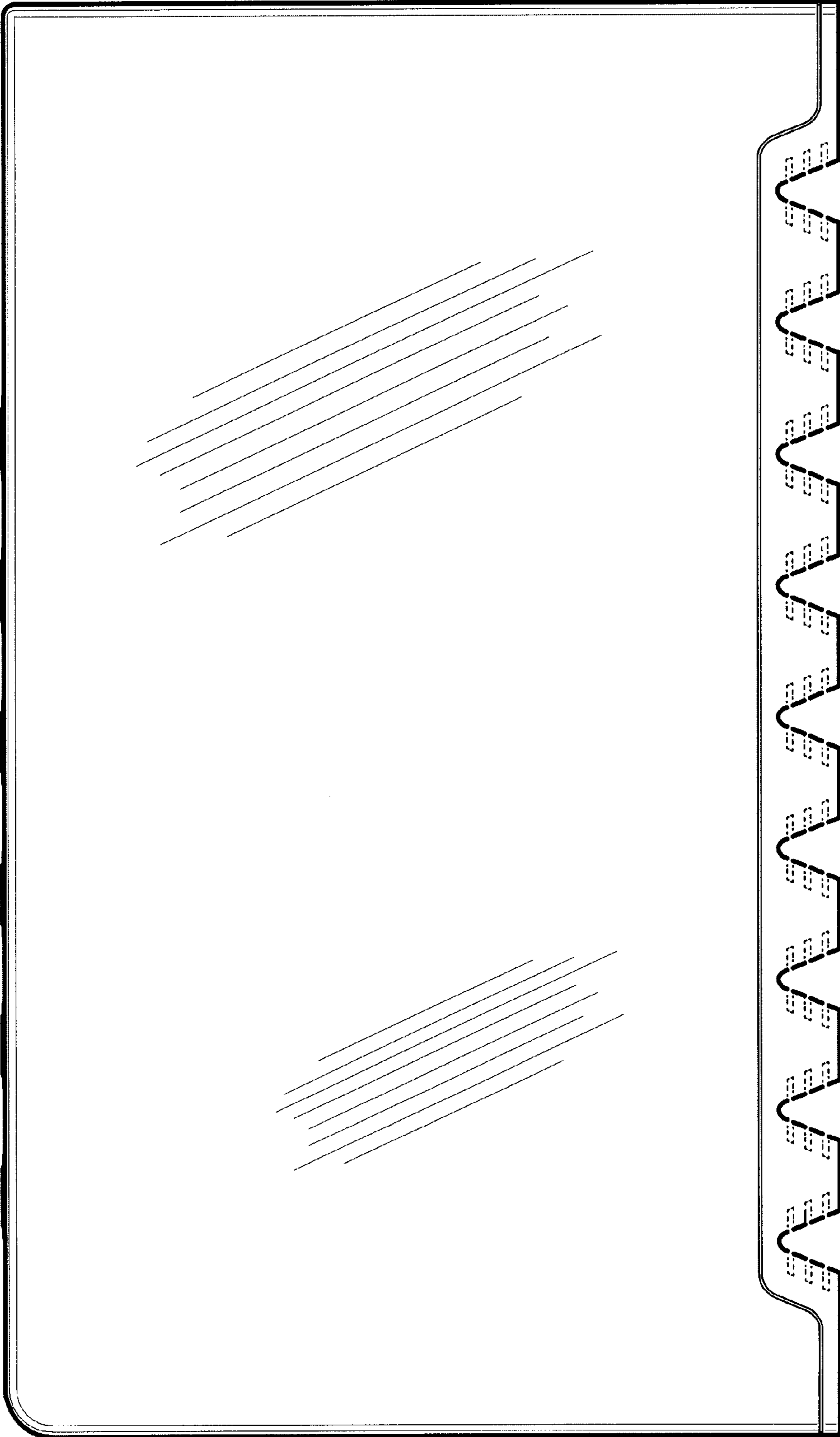


FIG. 7