



US00D731430S

(12) **United States Design Patent**
Segnit

(10) **Patent No.:** **US D731,430 S**
(45) **Date of Patent:** **** Jun. 9, 2015**

(54) **COMBINED AUXILIARY PORT AND OUTLET EXTENDER**

(71) Applicant: **Seymour Segnit**, Cornwall-on-Hudson, NY (US)

(72) Inventor: **Seymour Segnit**, Cornwall-on-Hudson, NY (US)

(73) Assignee: **THINGCHARGER, INC.**, Cornwall-on-hudson, NY (US)

(**) Term: **14 Years**

(21) Appl. No.: **29/479,480**

(22) Filed: **Jan. 16, 2014**

(51) **LOC (10) Cl.** **13-03**

(52) **U.S. Cl.**
USPC **D13/137.2**

(58) **Field of Classification Search**
USPC D13/137.1–137.4, 139.1–139.8,
D13/152–154, 110, 138.1, 108, 107;
361/118, 119; 248/231.91; 439/652
CPC H01L 23/552; H01T 4/06; A47K 10/10;
H01R 31/02
See application file for complete search history.

(56) **References Cited**

U.S. PATENT DOCUMENTS

D469,402 S *	1/2003	Bukiri	D13/137.1
D595,229 S *	6/2009	LaGrotta	D13/137.2
D665,354 S *	8/2012	Chen et al.	D13/138.1
D680,953 S *	4/2013	Kuo	D13/137.2
D694,706 S *	12/2013	Kuo	D13/108
D694,713 S *	12/2013	Yeo et al.	D13/138.1
D695,214 S *	12/2013	Roberts et al.	D13/107
D695,693 S *	12/2013	Lee et al.	D13/152

D700,579 S *	3/2014	Mobbs	D13/137.1
D700,892 S *	3/2014	Segnit	D13/137.2
D711,824 S *	8/2014	Matsuoka et al.	D13/110
D712,829 S *	9/2014	Huang	D13/110
D713,788 S *	9/2014	Hasegawa et al.	D13/110
D715,734 S *	10/2014	Levy	D13/110
D718,715 S *	12/2014	Si	D13/110
D719,093 S *	12/2014	Levy et al.	D13/110
D719,508 S *	12/2014	Byrne et al.	D13/110
2009/0253307 A1 *	10/2009	Augur	439/652

* cited by examiner

Primary Examiner — Holly Baynham

Assistant Examiner — Rhea Shields

(57) **CLAIM**

The ornamental design for an combined auxiliary port and outlet extender, as shown and described.

DESCRIPTION

This application relates to and claims priority from U.S. Design patent application Ser. No. 29/457,107 filed Jun. 6, 2013, the entire contents of which are incorporated herein by reference.

FIG. 1 is a top perspective view of an combined auxiliary port and outlet extender.

FIG. 2 is a bottom perspective view of FIG. 1.

FIG. 3 is a front elevational view of FIG. 1.

FIG. 4 is a rear elevational view of FIG. 1.

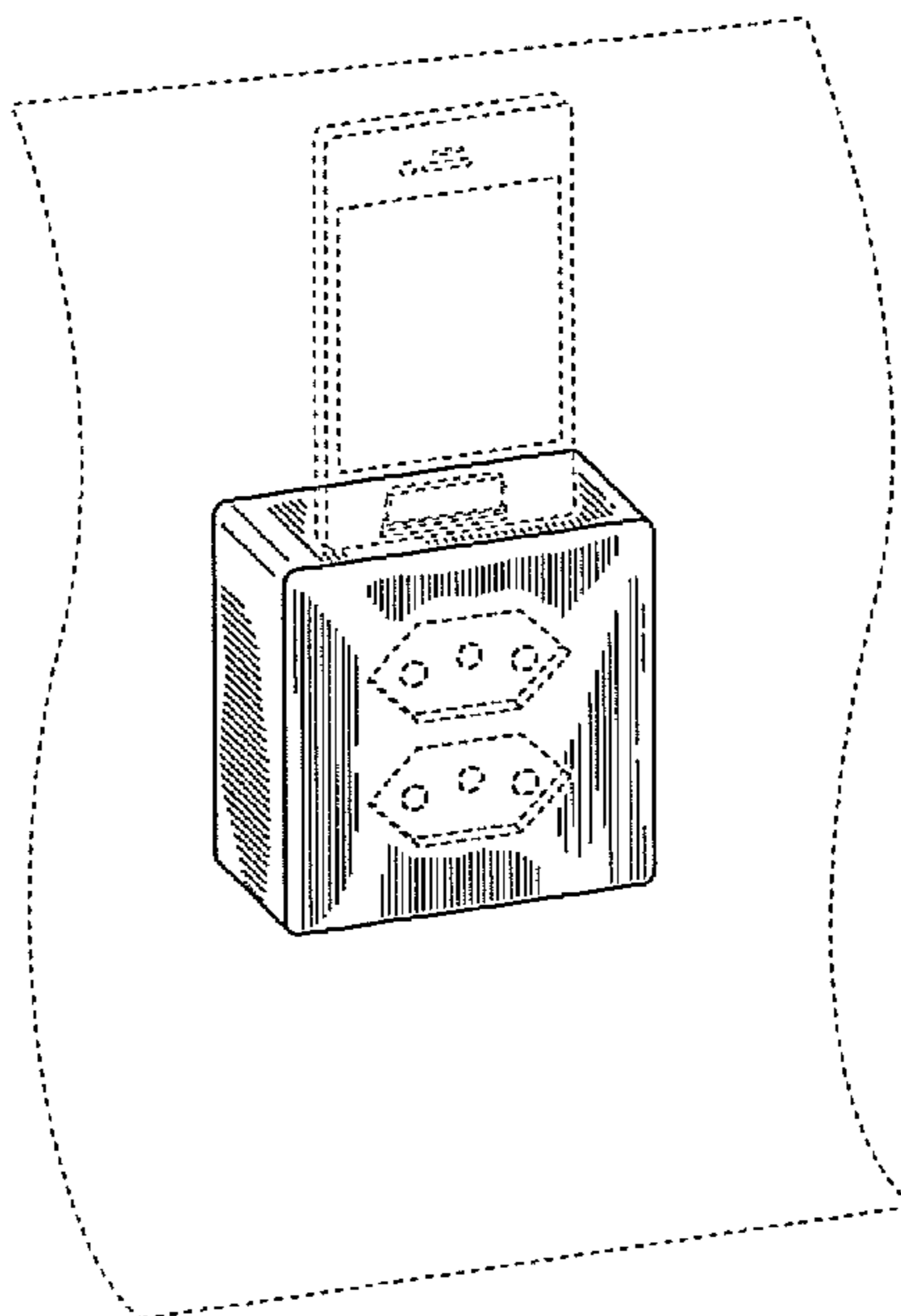
FIG. 5 is a left side elevational view of FIG. 1, the right side elevational view being a mirror image thereof.

FIG. 6 is a top plan view of FIG. 1; and,

FIG. 7 is a bottom plan view of FIG. 1.

In the drawings, the broken lines are for the purpose of illustrating environment only and form no part of the claimed design.

1 Claim, 3 Drawing Sheets



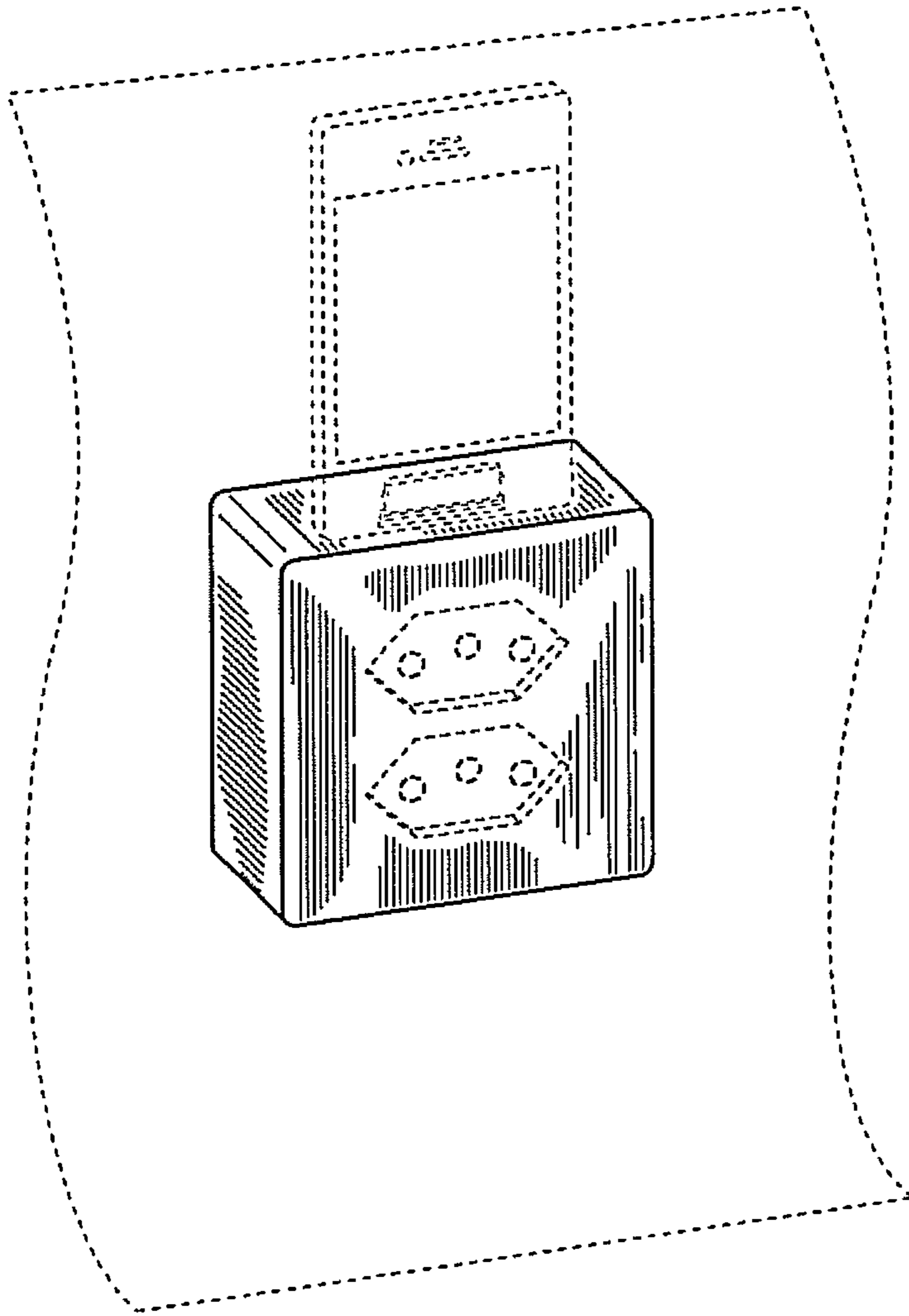


FIG. 1

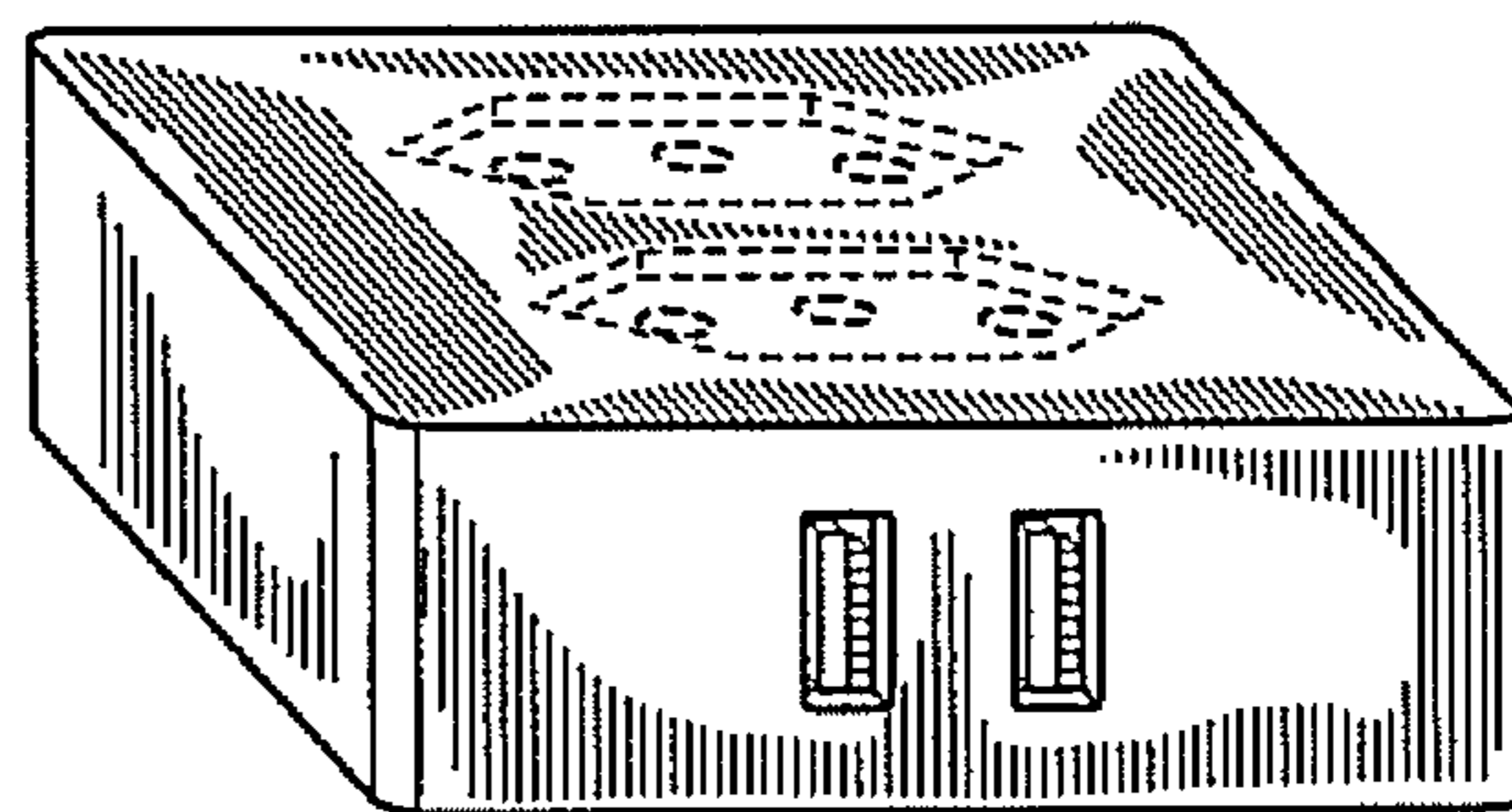


FIG. 2

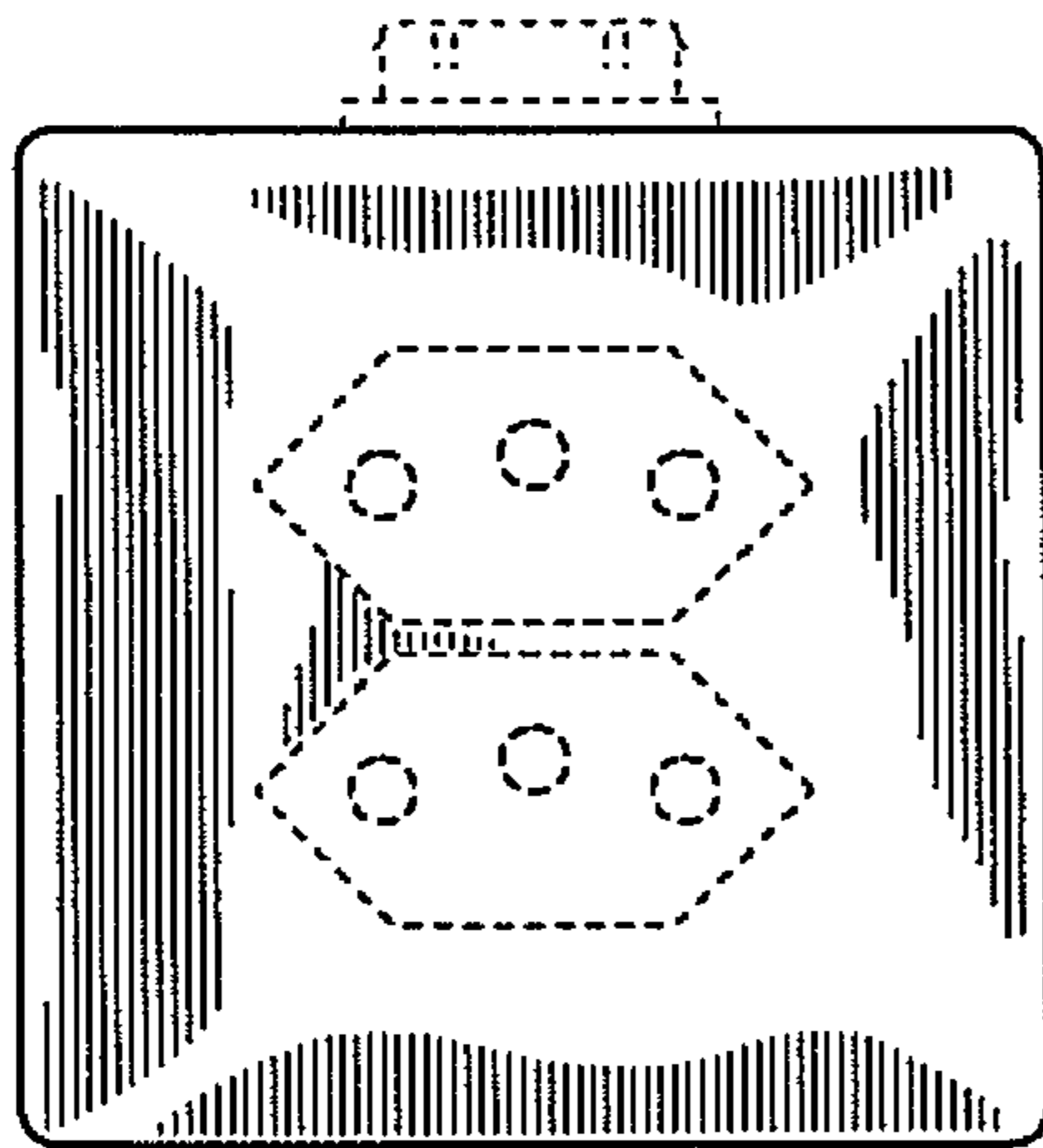


FIG. 3

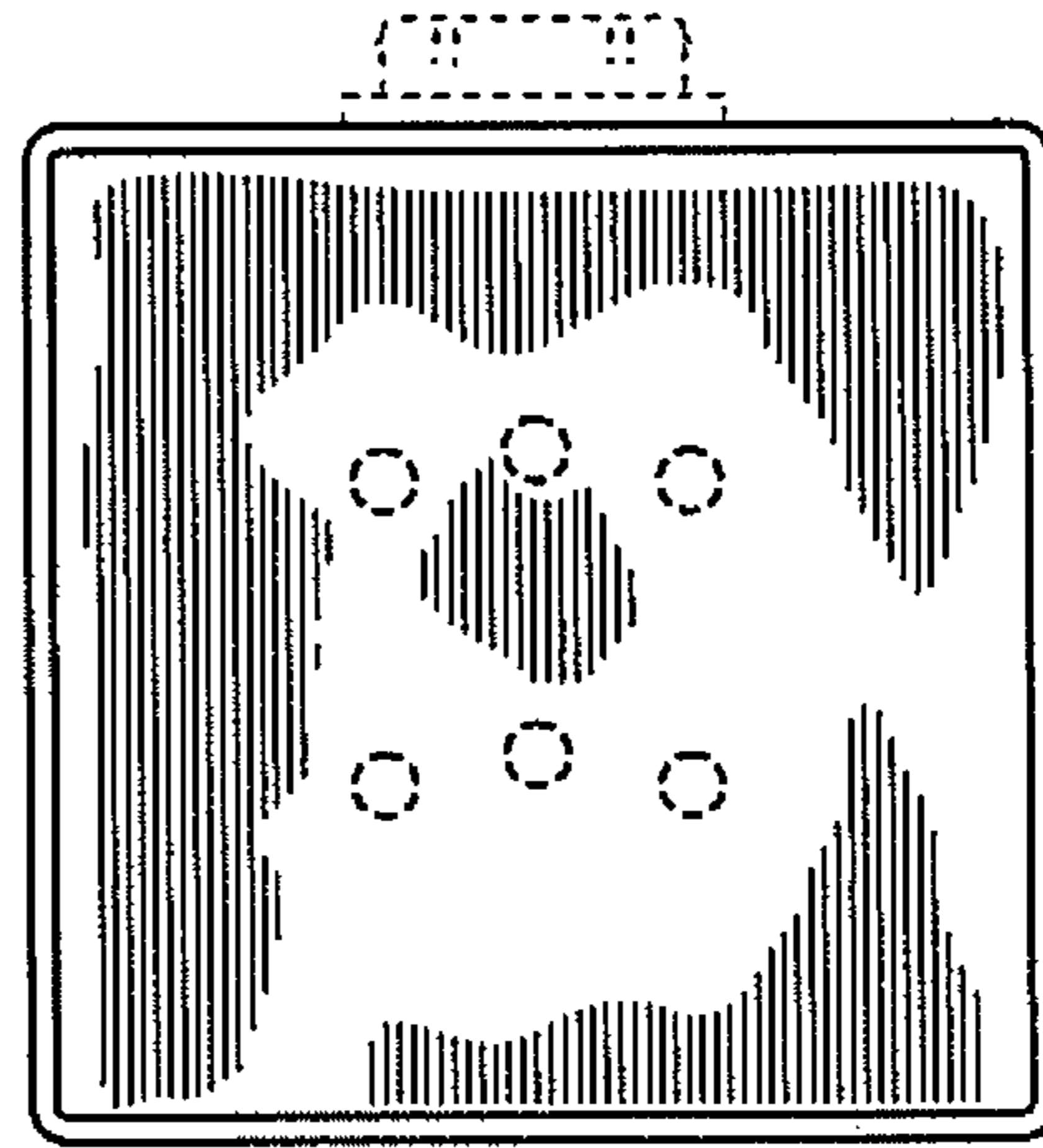


FIG. 4

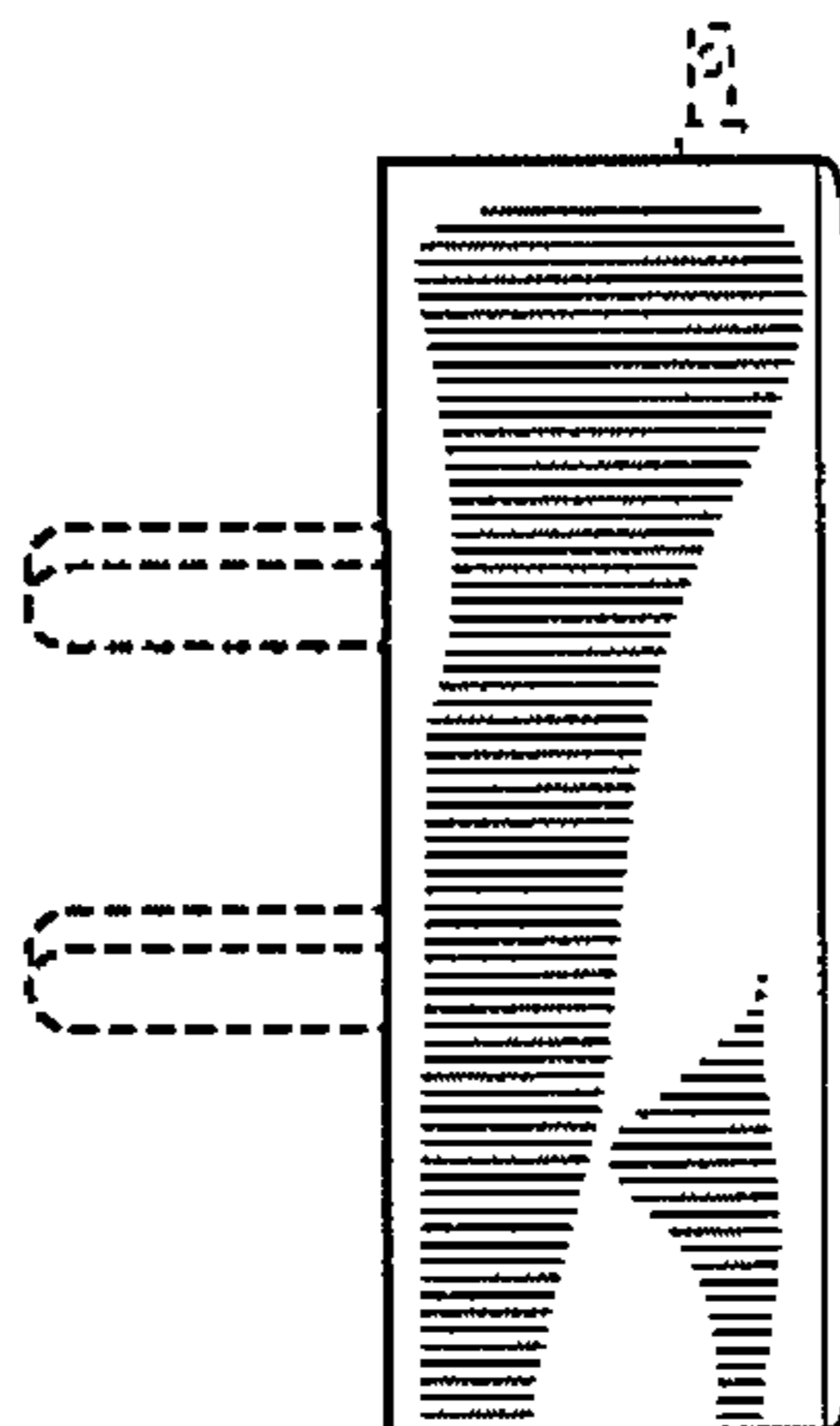


FIG. 5

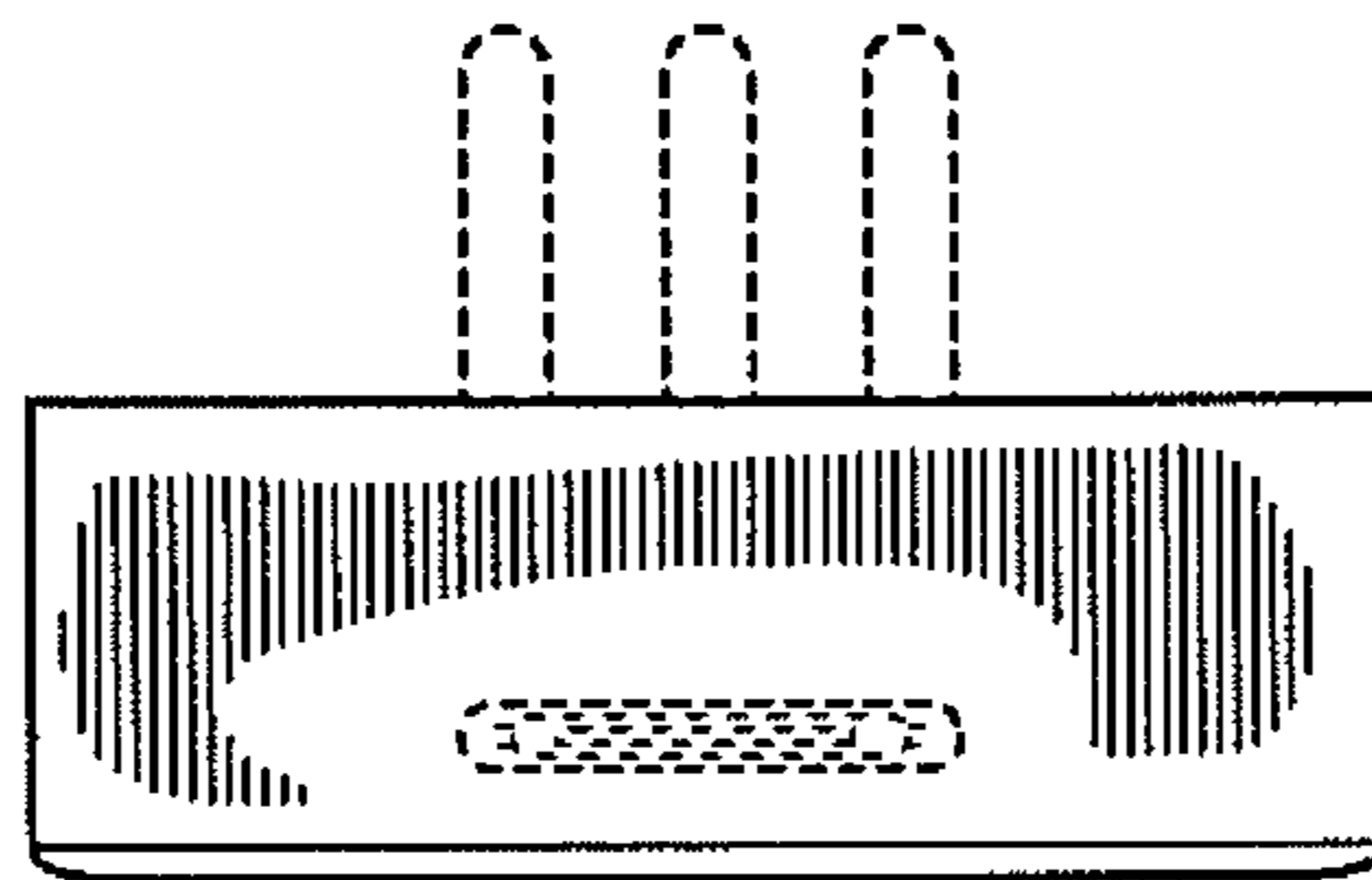


FIG. 6

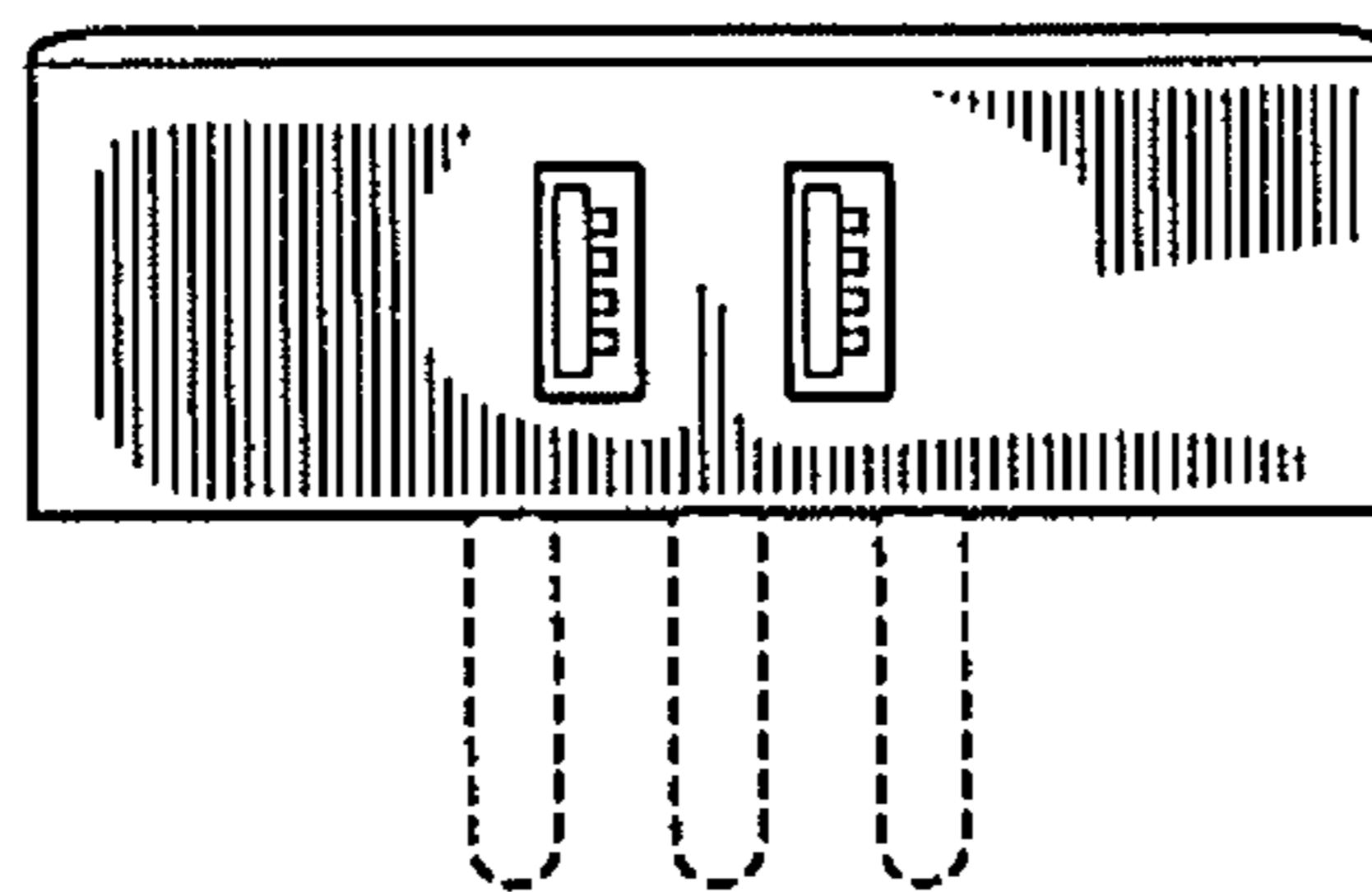


FIG. 7