



US00D731428S

(12) **United States Design Patent**
Sorensen et al.

(10) **Patent No.:** **US D731,428 S**

(45) **Date of Patent:** **** Jun. 9, 2015**

(54) **CUT-OUT INSULATOR**

(71) Applicant: **Pacific Polymers Pty Ltd**, Dandenong,
Victoria (AU)

(72) Inventors: **Andrew Sorensen**, Dandenong South
(AU); **Gordon Chessum**, Dandenong
South (AU); **Simon Wu**, Dandenong
South (AU)

(73) Assignee: **PACIFIC POLYMERS PTY LTD**,
Dandenong, Victoria (AU)

(**) Term: **14 Years**

(21) Appl. No.: **29/462,804**

(22) Filed: **Aug. 8, 2013**

(30) **Foreign Application Priority Data**

Apr. 22, 2013 (AU) 11858/2013

(51) **LOC (10) Cl.** **13-03**

(52) **U.S. Cl.**
USPC **D13/132**

(58) **Field of Classification Search**
USPC D13/129–132, 184, 199; D8/349, 364,
D8/373, 382; 174/168, 169
CPC H01B 17/16; H01B 3/00; H01B 17/00;
H01B 17/06; H01B 17/22; H01B 17/14;
H01B 17/145

See application file for complete search history.

(56) **References Cited**

U.S. PATENT DOCUMENTS

D202,785 S *	11/1965	Vose	D13/131
3,238,330 A *	3/1966	Smith, Jr.	337/223
3,240,870 A *	3/1966	Harmon	174/149 R
3,291,899 A *	12/1966	Ward et al.	174/148
D222,334 S *	10/1971	Lewis et al.	D8/364
D342,936 S *	1/1994	Schreiber et al.	D13/129
D360,399 S *	7/1995	Tillery et al.	D13/132
D392,616 S *	3/1998	Gagne	D13/131
D421,958 S *	3/2000	Pratt	D13/131
8,067,691 B2 *	11/2011	Puigcerver et al.	174/66

* cited by examiner

Primary Examiner — Thomas Johannes

Assistant Examiner — Shawn T Gingrich

(74) *Attorney, Agent, or Firm* — Hanley, Flight and
Zimmerman, LLC

(57) **CLAIM**

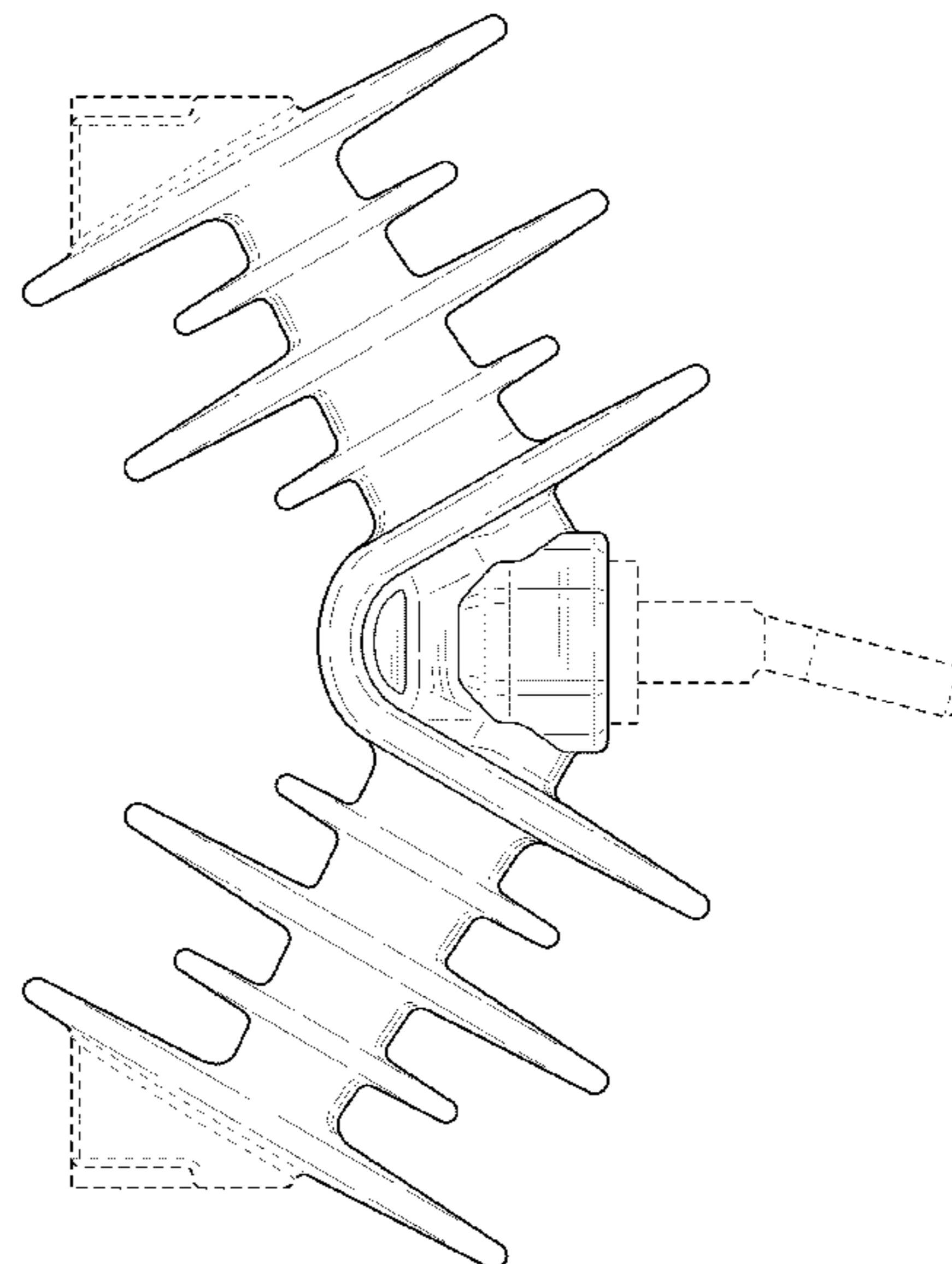
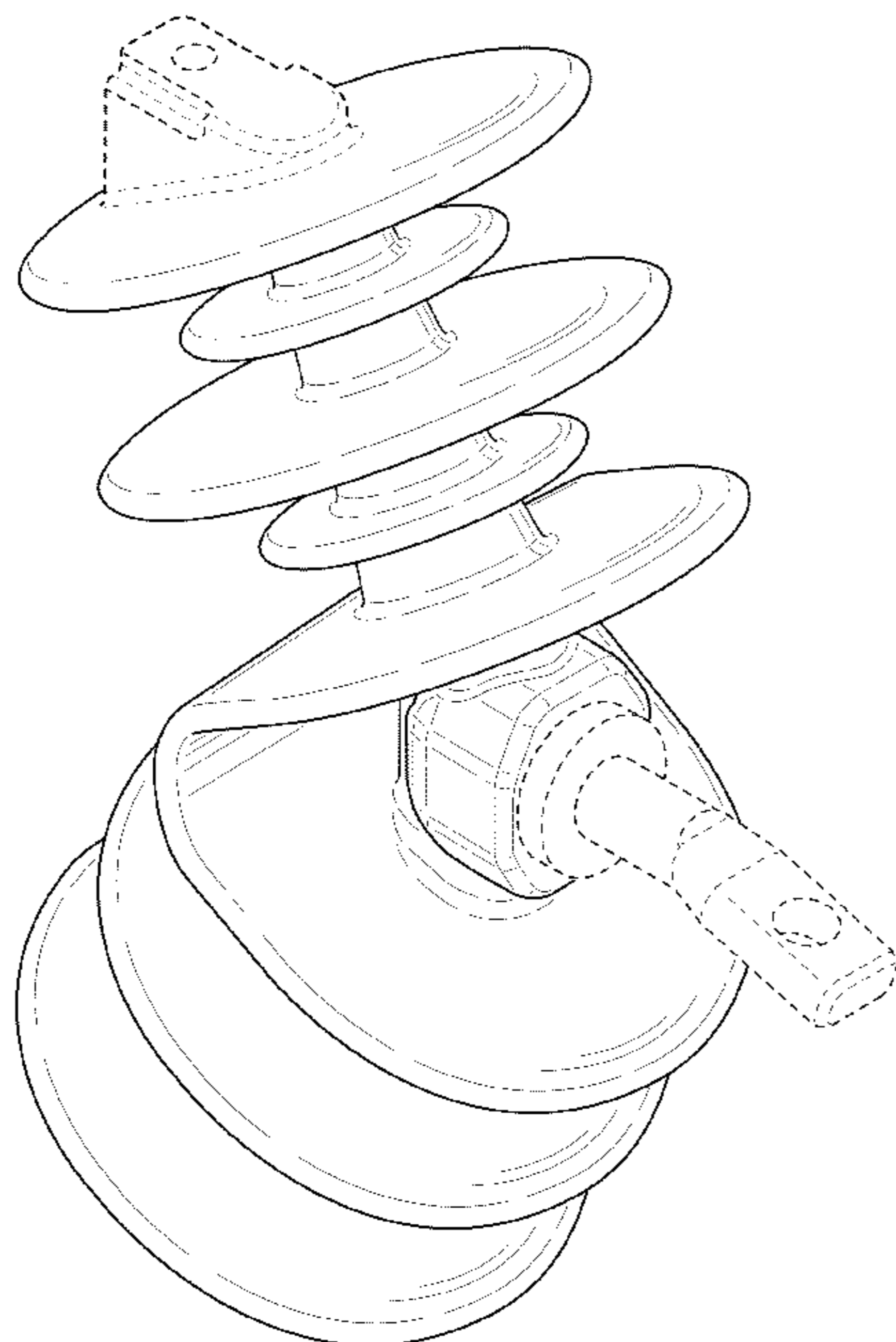
The ornamental design for a “cut-out insulator,” as shown and
described.

DESCRIPTION

FIG. 1 is a top, front, left side perspective view of a cut-out
insulator showing our new design;
FIG. 2 is a bottom, back, right perspective view thereof;
FIG. 3 is a front view thereof;
FIG. 4 is a back view thereof
FIG. 5 is a left side view thereof;
FIG. 6 is a right side view thereof;
FIG. 7 is a top view thereof;
FIG. 8 is a bottom view thereof; and,
FIG. 9 is a front top view thereof.

The broken line portion of the figure drawings is included to
show unclaimed subject matter only and forms no part of the
claimed design.

1 Claim, 6 Drawing Sheets



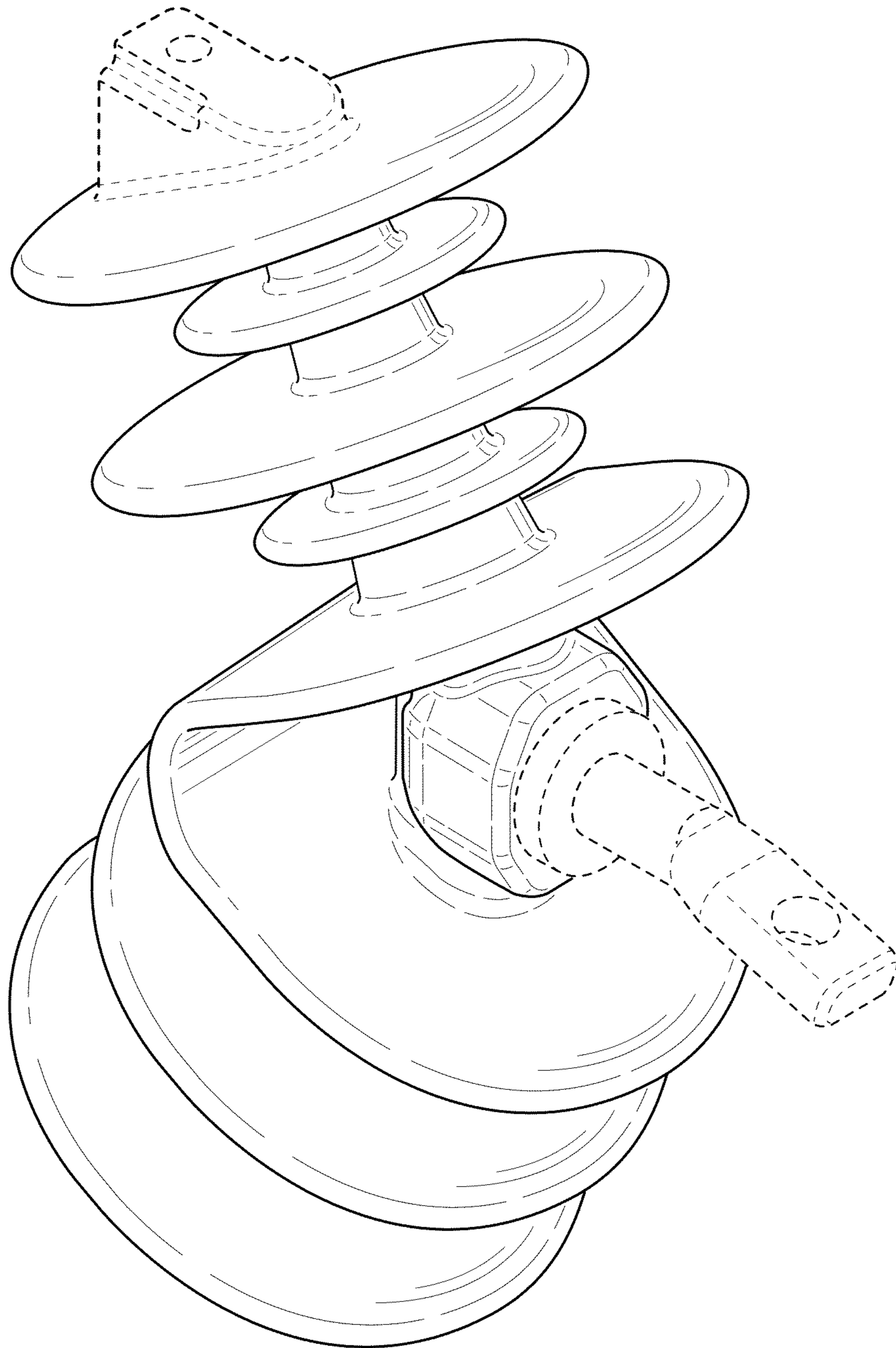


FIG. 1

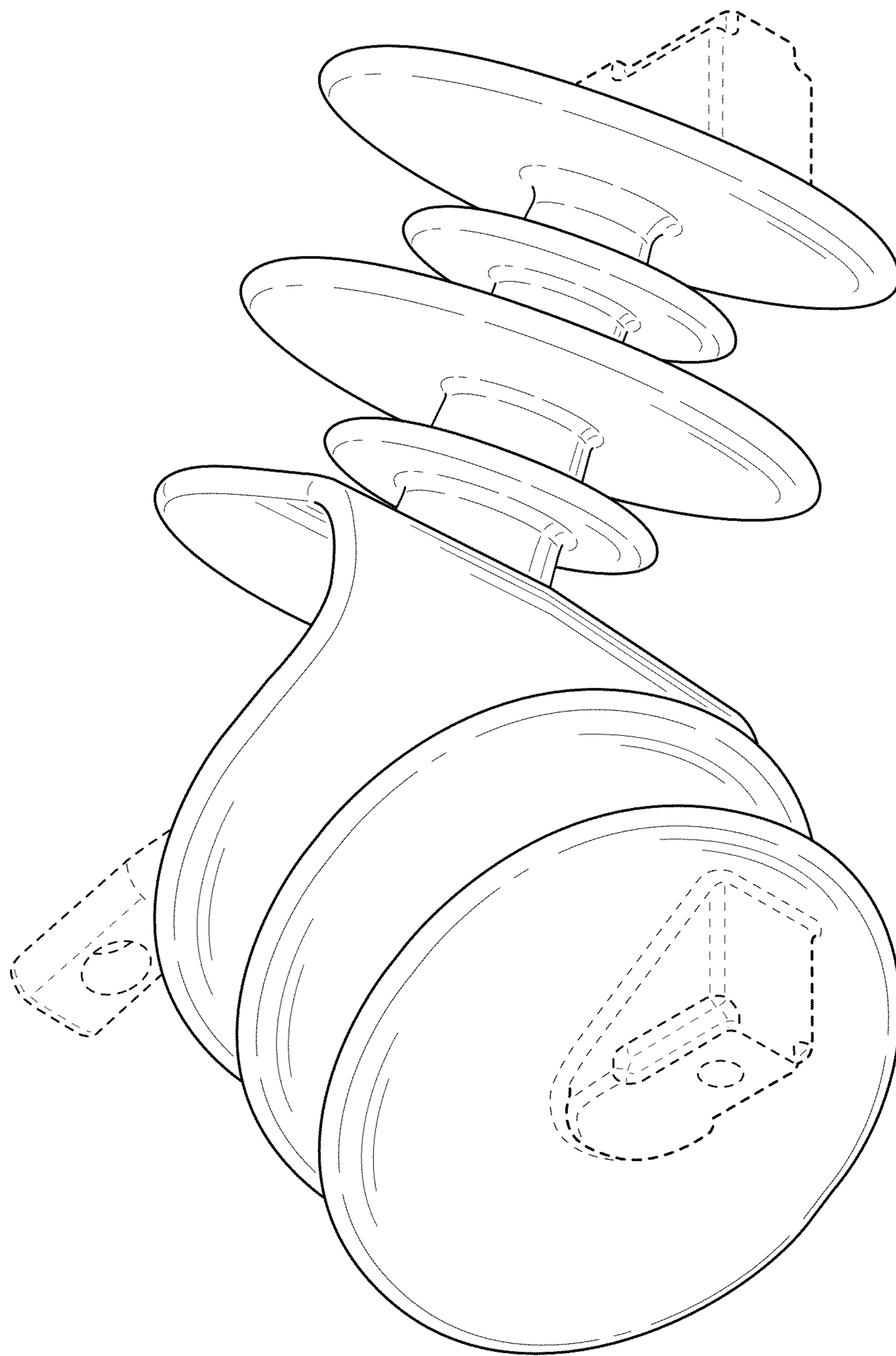


FIG. 2

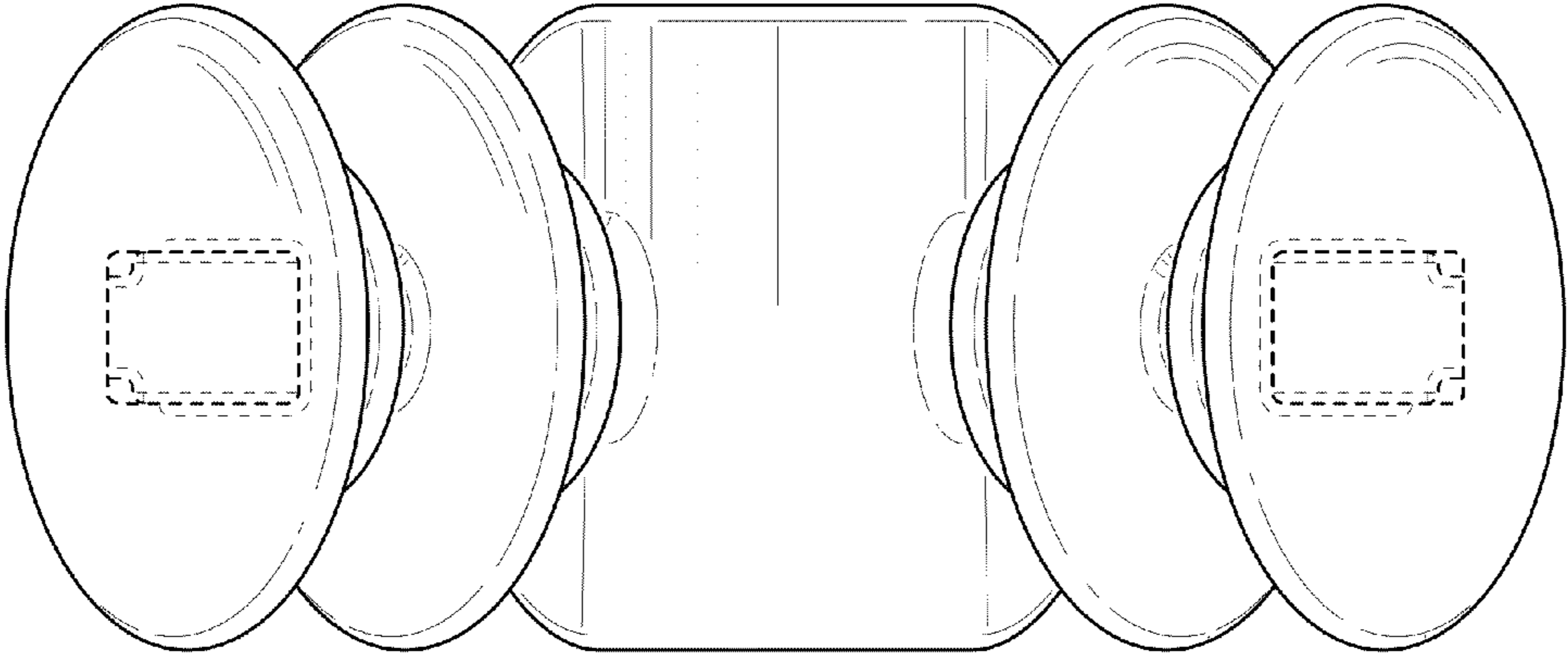


FIG. 4

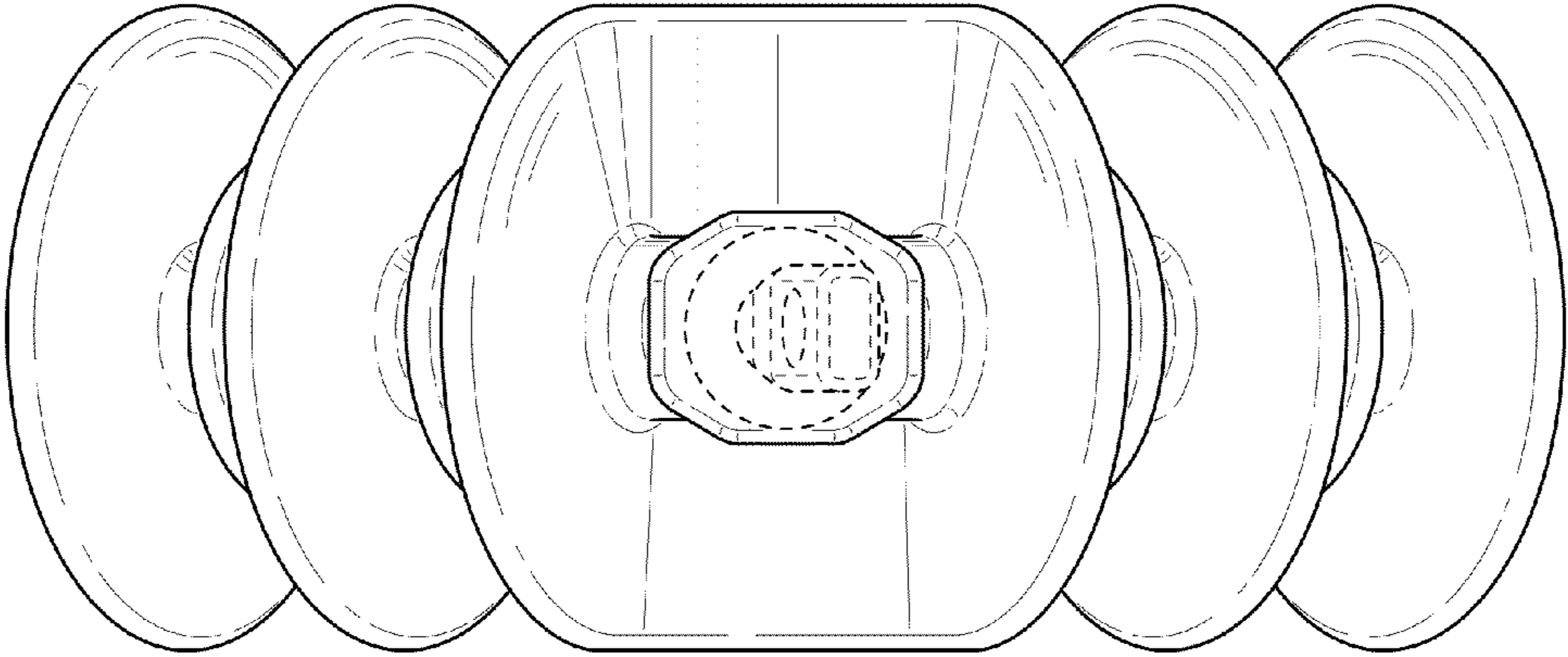


FIG. 3

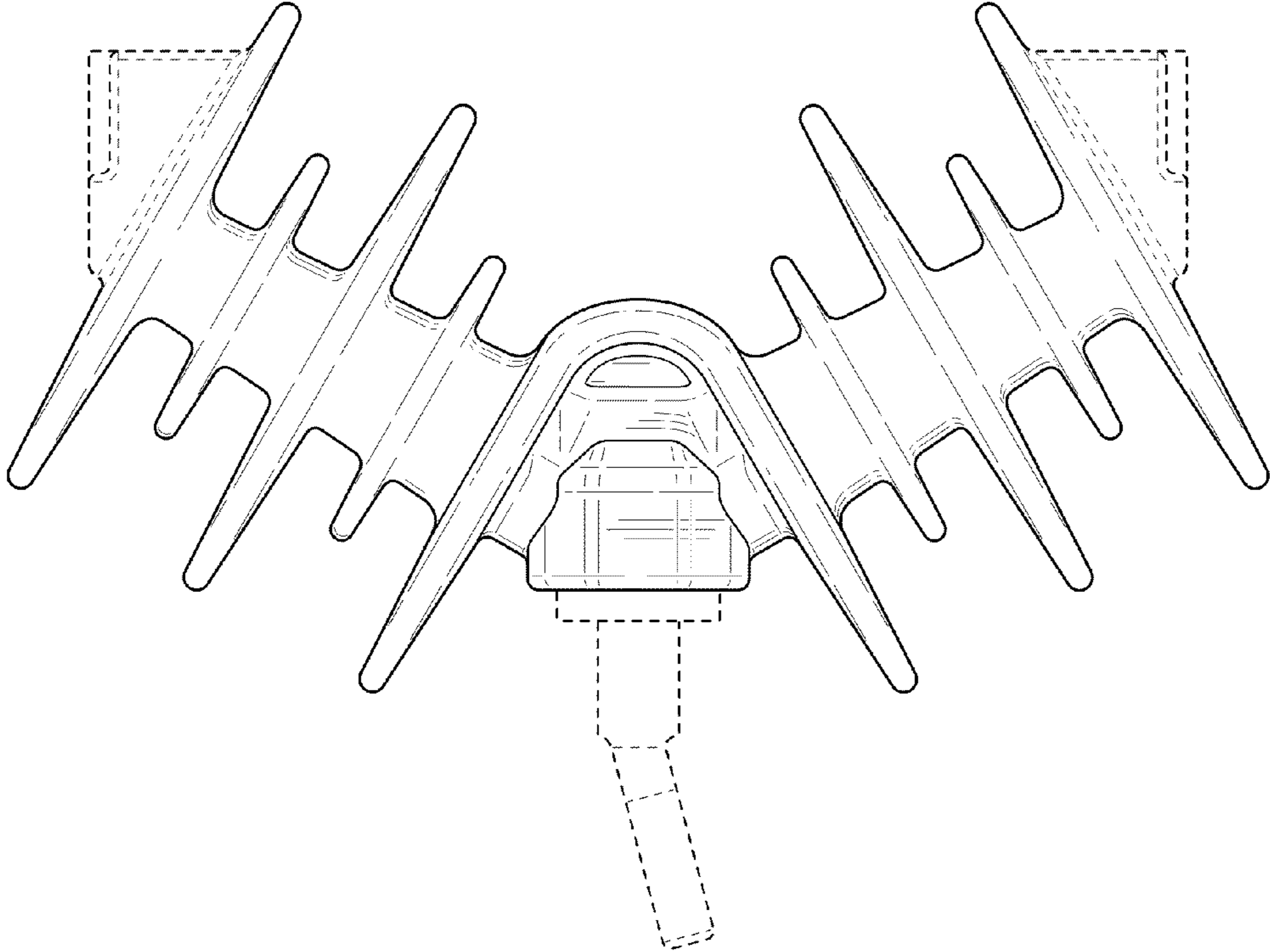


FIG. 6

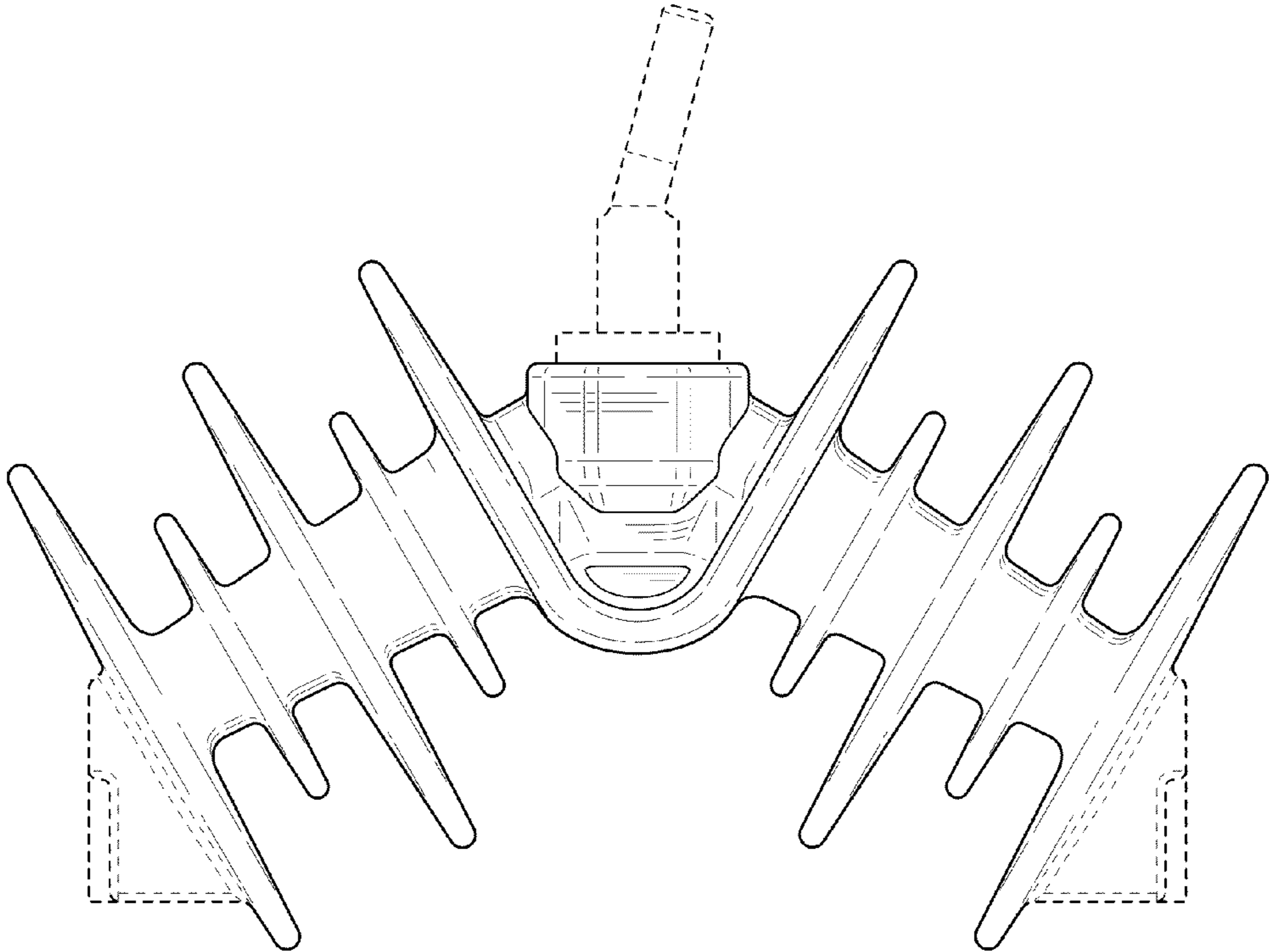


FIG. 5

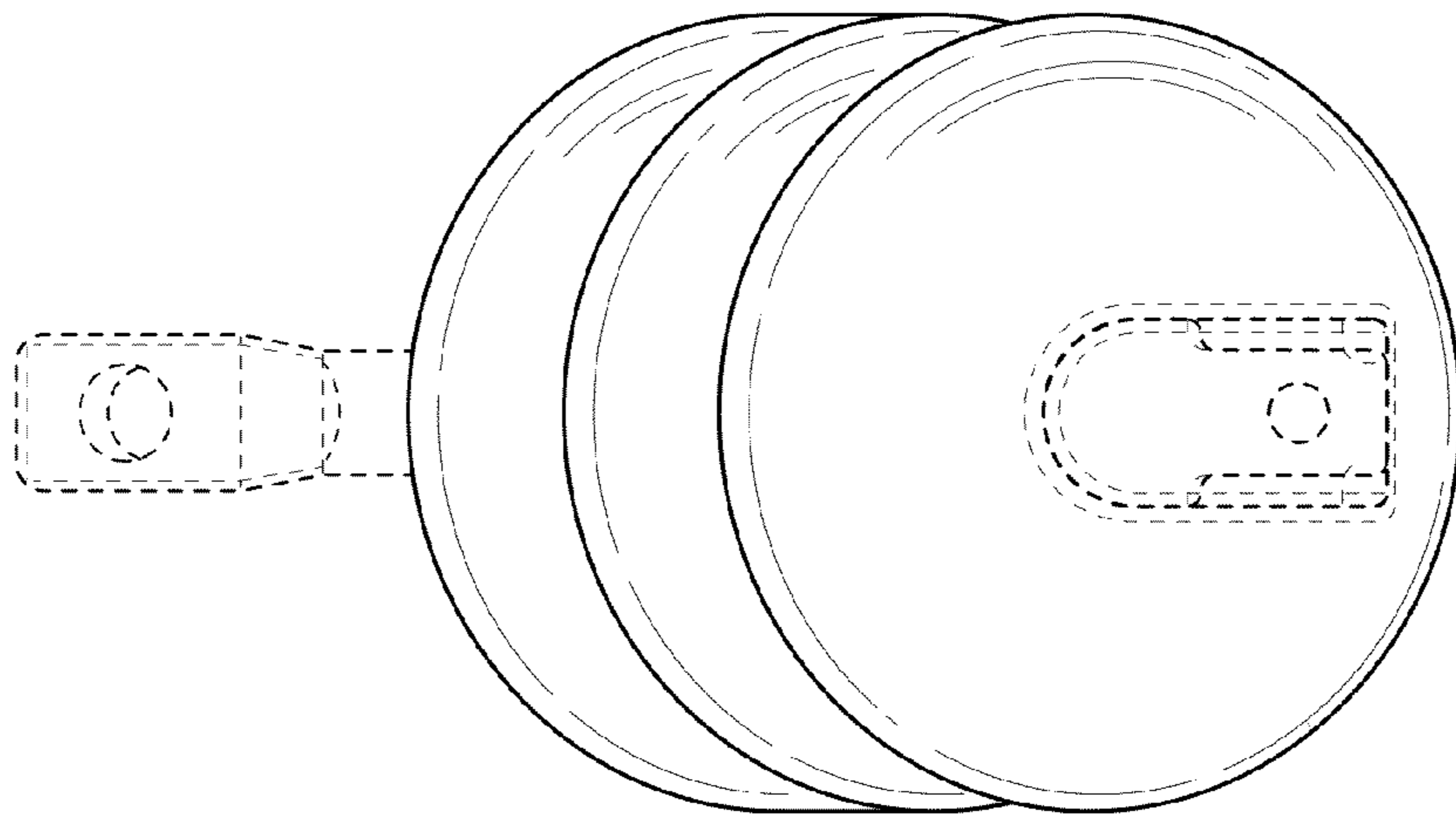


FIG. 8

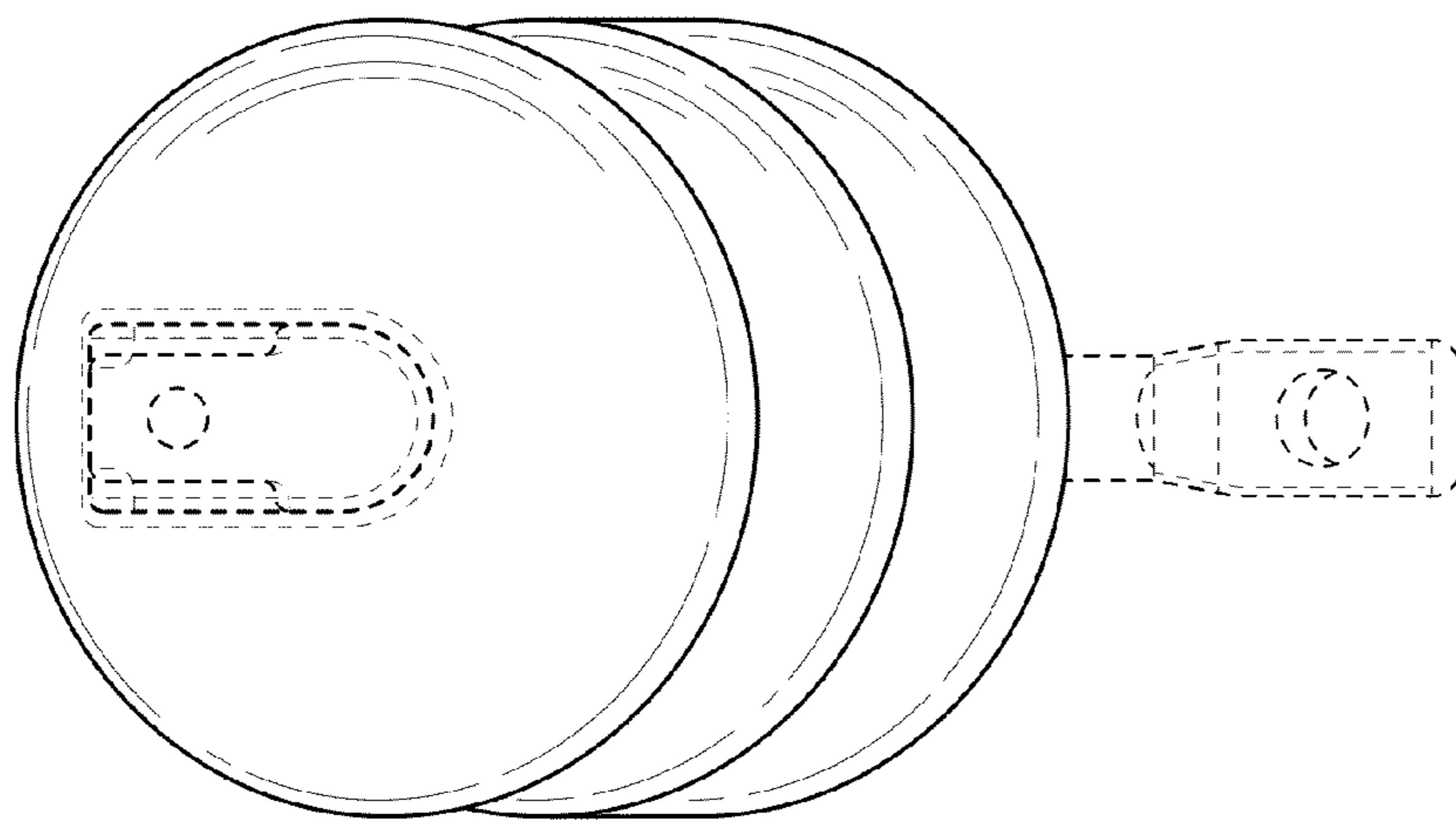


FIG. 7

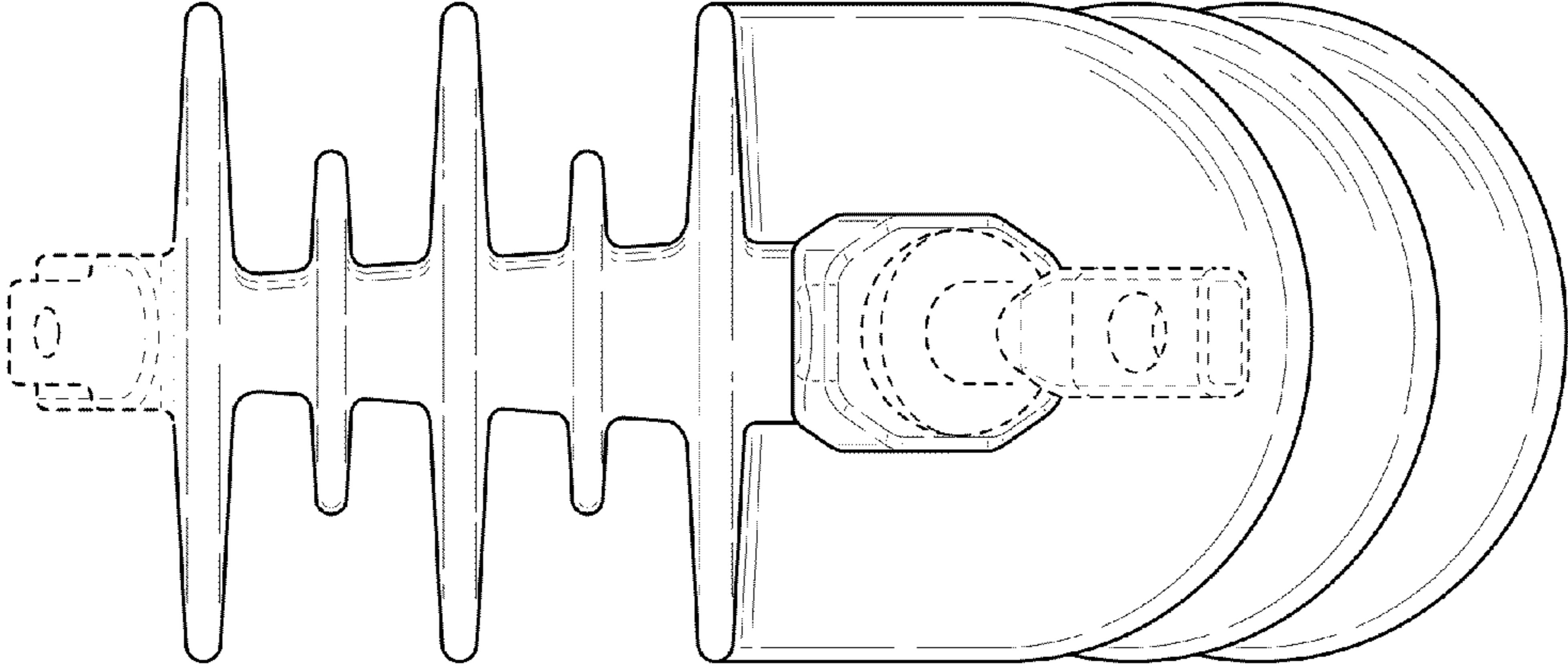


FIG. 9