



US00D731426S

(12) **United States Design Patent**
Hong

(10) **Patent No.:** **US D731,426 S**
(45) **Date of Patent:** **** Jun. 9, 2015**

(54) **BATTERY COVER**

(75) Inventor: **Chun-Yi Hong**, I Lan Hsien (TW)

(73) Assignee: **Pilot Battery Co., Ltd.**, I Lan Hsien (TW)

(**) Term: **14 Years**

(21) Appl. No.: **29/411,063**

(22) Filed: **Jan. 16, 2012**

(51) **LOC (10) Cl.** **13-02**

(52) **U.S. Cl.**
USPC **D13/119**

(58) **Field of Classification Search**
USPC D13/103–107, 119–121; 320/104–115;
429/96–100, 163, 175–176
See application file for complete search history.

(56) **References Cited**

U.S. PATENT DOCUMENTS

D181,079	S	*	9/1957	Toce	D13/104
D188,110	S	*	6/1960	Broussard	D13/104
3,397,089	A	*	8/1968	Sasagawa et al.	429/163
D264,961	S	*	6/1982	Oxenreider	D13/119
5,877,609	A	*	3/1999	Carter	320/103
6,124,055	A	*	9/2000	Stocchiero	429/175
D553,565	S	*	10/2007	Kawakita et al.	D13/119
7,358,702	B2	*	4/2008	Kawada et al.	320/112

D625,254	S	*	10/2010	Mack et al.	D13/104
D635,509	S	*	4/2011	Mack et al.	D13/104
D659,088	S	*	5/2012	Steinberg	D13/106
D699,669	S	*	2/2014	Kasaba et al.	D13/103

* cited by examiner

Primary Examiner — Susan Bennett Hattan

Assistant Examiner — Brett Miller

(74) *Attorney, Agent, or Firm* — Leong C. Lei

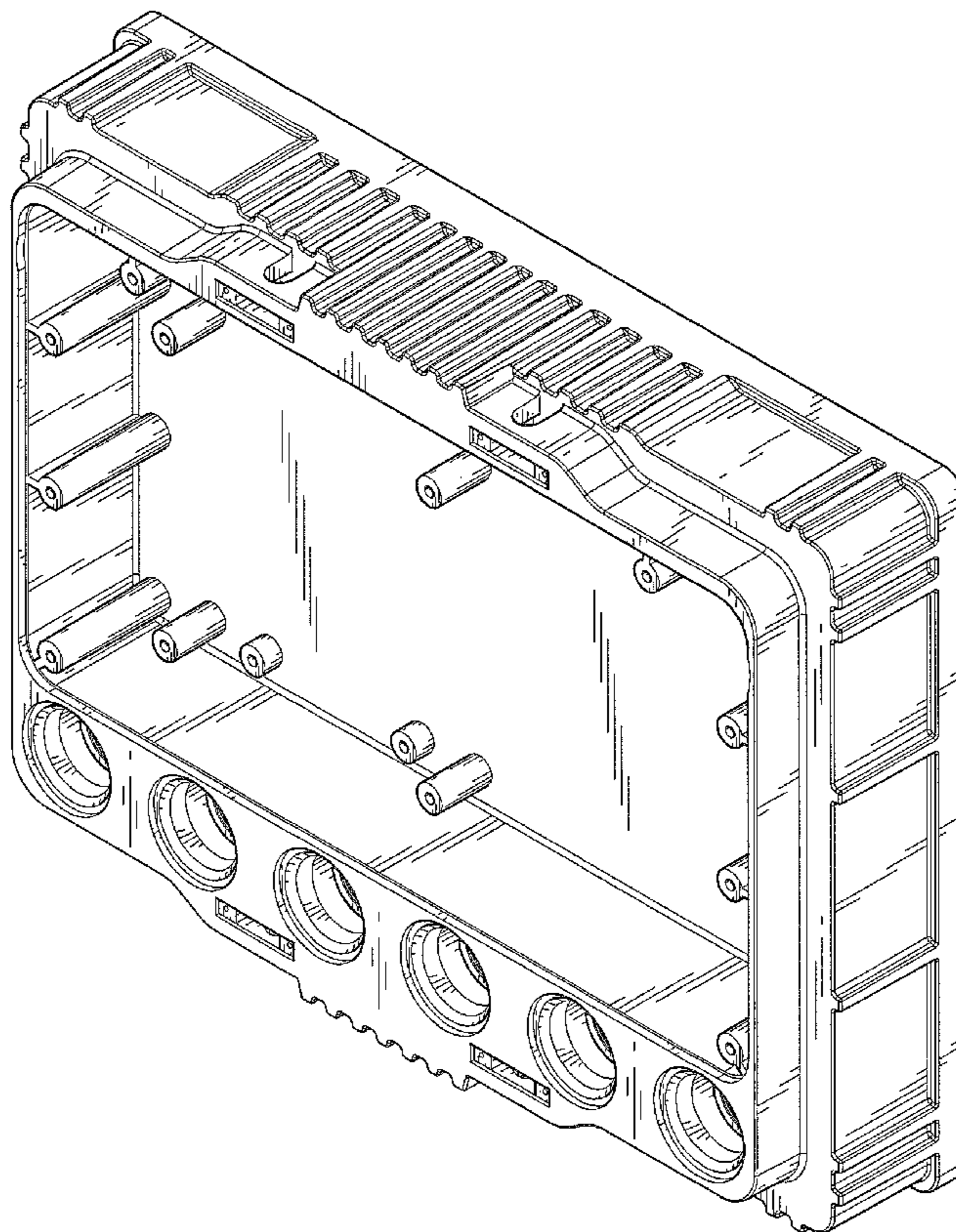
(57) **CLAIM**

The ornamental design for a “battery cover,” as shown and described.

DESCRIPTION

FIG. 1 is a perspective view of a battery cover showing my new design;
FIG. 2 is a front view thereof;
FIG. 3 is a left side view thereof;
FIG. 4 is a right side view thereof;
FIG. 5 is a top view thereof;
FIG. 6 is a bottom plan view thereof; and,
FIG. 7 is a perspective and reference view showing the design disposed on a substrate thereof.
The broken line portion of the figure is included to show unclaimed subject matter only and forms no part of the claimed design.

1 Claim, 5 Drawing Sheets



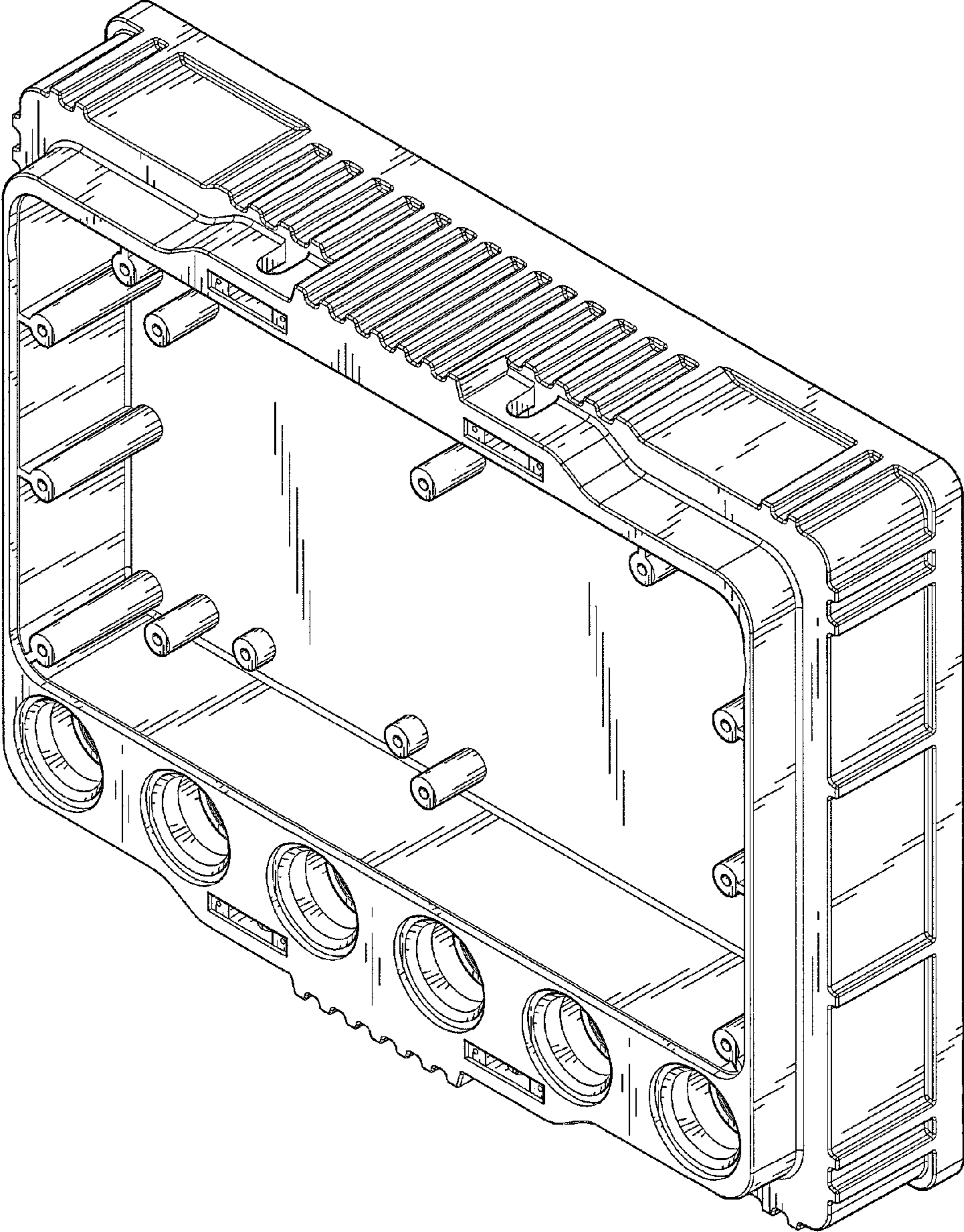


FIG. 1

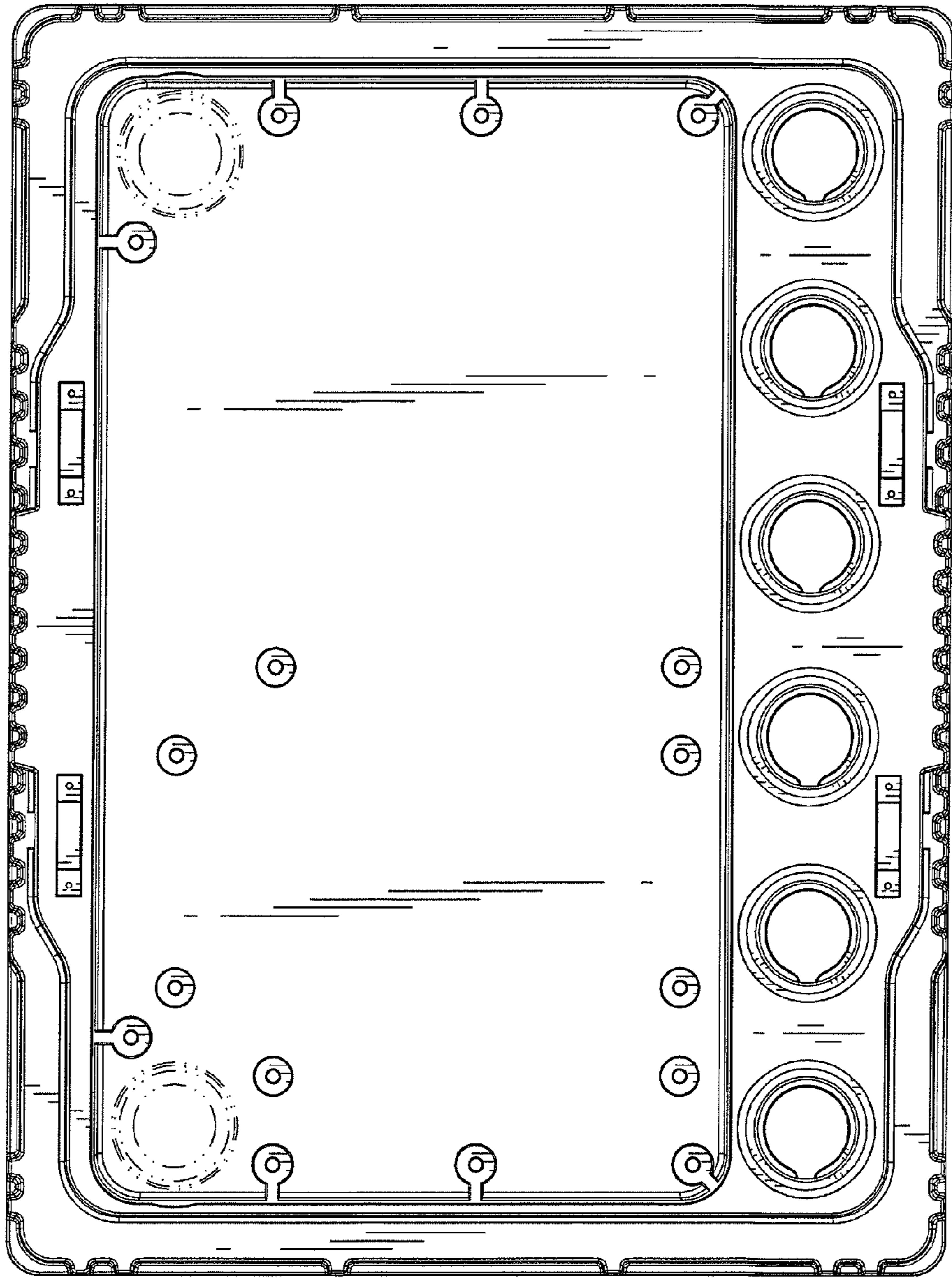


FIG. 2

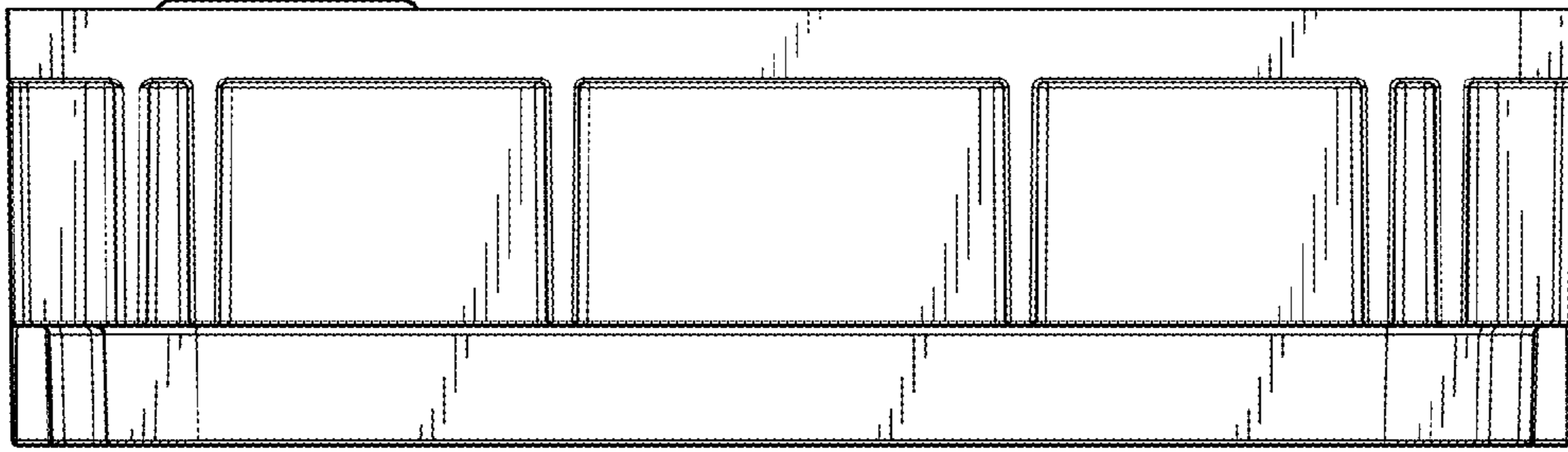


FIG. 4

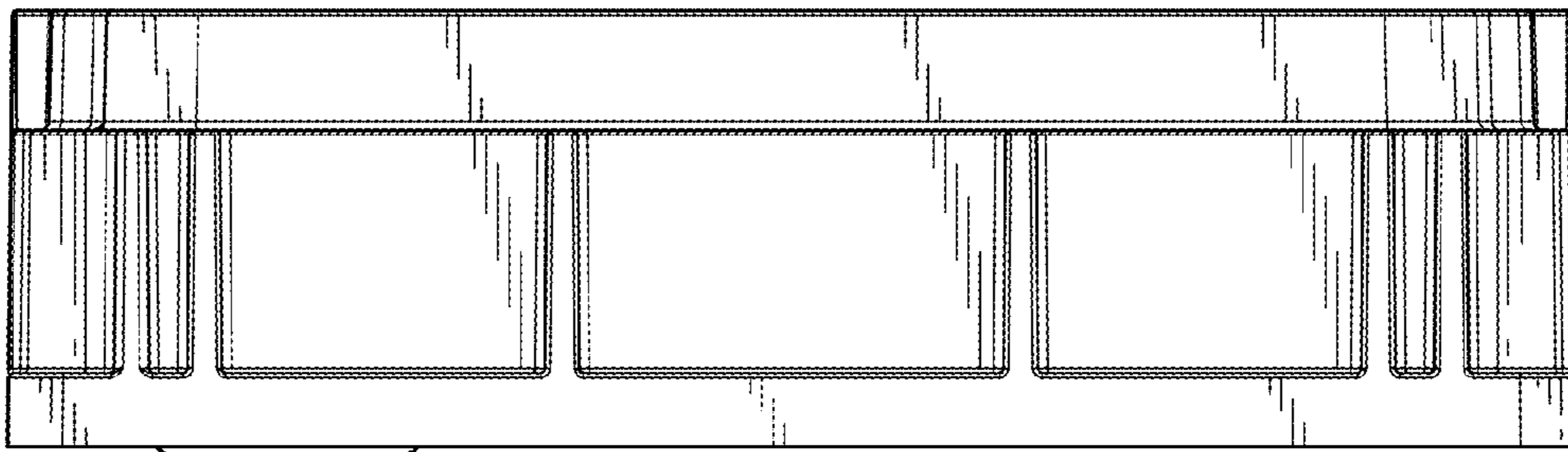


FIG. 3

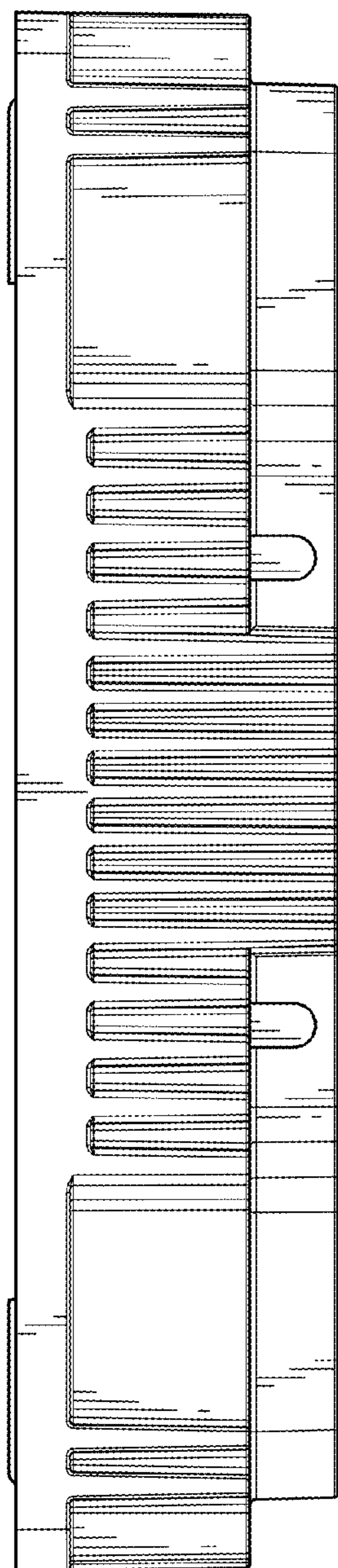


FIG. 5

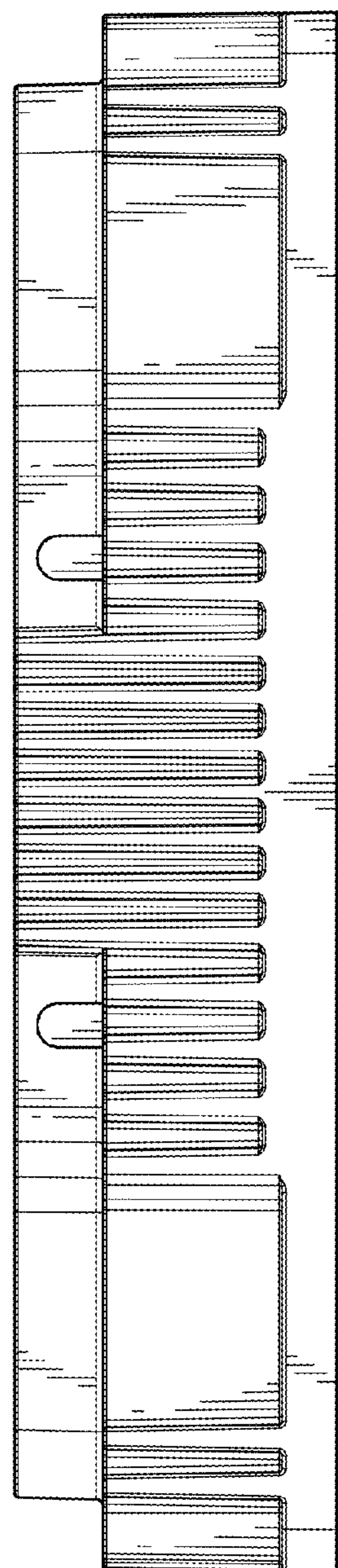


FIG. 6

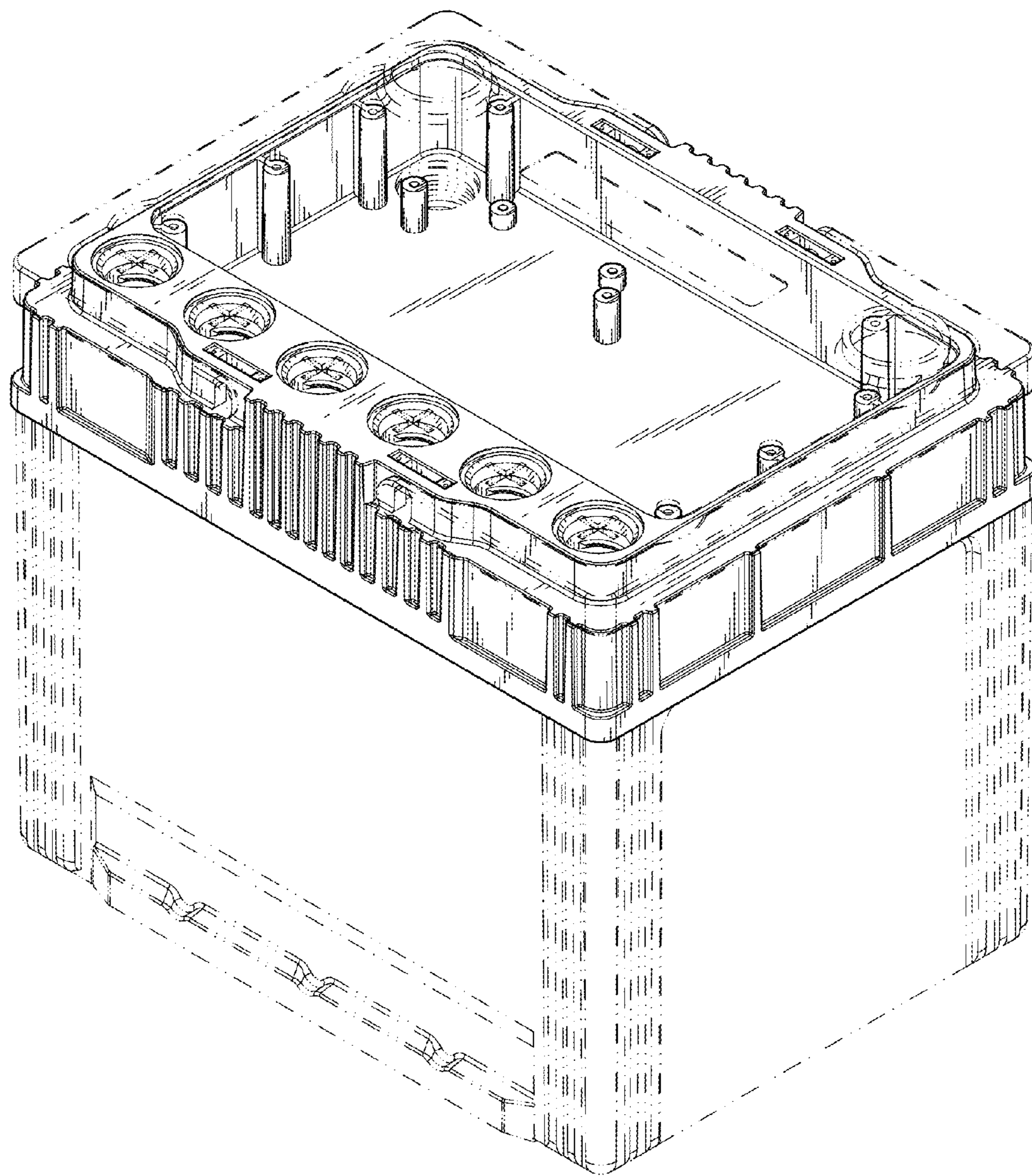


FIG. 7