



US00D731425S

(12) **United States Design Patent**
Hart

(10) **Patent No.:** **US D731,425 S**

(45) **Date of Patent:** **** Jun. 9, 2015**

(54) **SKID MOUNTED GENERATOR**

(71) Applicant: **HART OILFIELD RENTALS LTD.,**
Rocky Mountain House (CA)

(72) Inventor: **Gordon Hart,** Rocky Mountain House
(CA)

(**) Term: **14 Years**

(21) Appl. No.: **29/484,201**

(22) Filed: **Mar. 6, 2014**

(51) **LOC (10) Cl.** **13-01**

(52) **U.S. Cl.**
USPC **D13/112**

(58) **Field of Classification Search**
USPC D13/112, 114, 118, 122, 184, 199;
123/2, 3; 181/198, 204; 290/1 A, 1 B,
290/27, 31, 32; 307/150, 153; 322/39, 44,
322/87; D15/23, 28, 31, 33; D23/259, 261;
D25/138, 156; 52/507; 404/2
See application file for complete search history.

(56) **References Cited**

U.S. PATENT DOCUMENTS

D303,785 S * 10/1989 Waltz et al. D13/122
D503,381 S * 3/2005 Mizokami et al. D13/114

D534,863 S * 1/2007 Yasuda et al. D13/112
D562,238 S * 2/2008 Nozaki et al. D13/114
D572,212 S * 7/2008 Taylor et al. D13/184
D575,733 S * 8/2008 Murata et al. D13/114
D636,099 S * 4/2011 Curtin et al. D25/156
D646,635 S * 10/2011 McIntosh D13/114
D646,636 S * 10/2011 Riimala D13/114
8,134,244 B2 * 3/2012 Wurth 290/1 A
D685,065 S * 6/2013 Snelling D23/261
2012/0107044 A1 * 5/2012 Bartley et al. 404/2

* cited by examiner

Primary Examiner — Derrick Holland

(74) *Attorney, Agent, or Firm* — Sander R. Gelsing

(57) **CLAIM**

The ornamental design for a skid mounted generator, as shown and described.

DESCRIPTION

FIG. 1 is a front perspective view of a skid mounted generator showing my new design;
FIG. 2 is a rear perspective view of the skid mounted generator;
FIG. 3 is a front view of the skid mounted generator;
FIG. 4 is a left side view of the skid mounted generator;
FIG. 5 is a rear view of the skid mounted generator;
FIG. 6 is a right side view of the skid mounted generator;
FIG. 7 is a top view of the skid mounted generator; and,
FIG. 8 is a bottom view of the skid mounted generator.

1 Claim, 4 Drawing Sheets

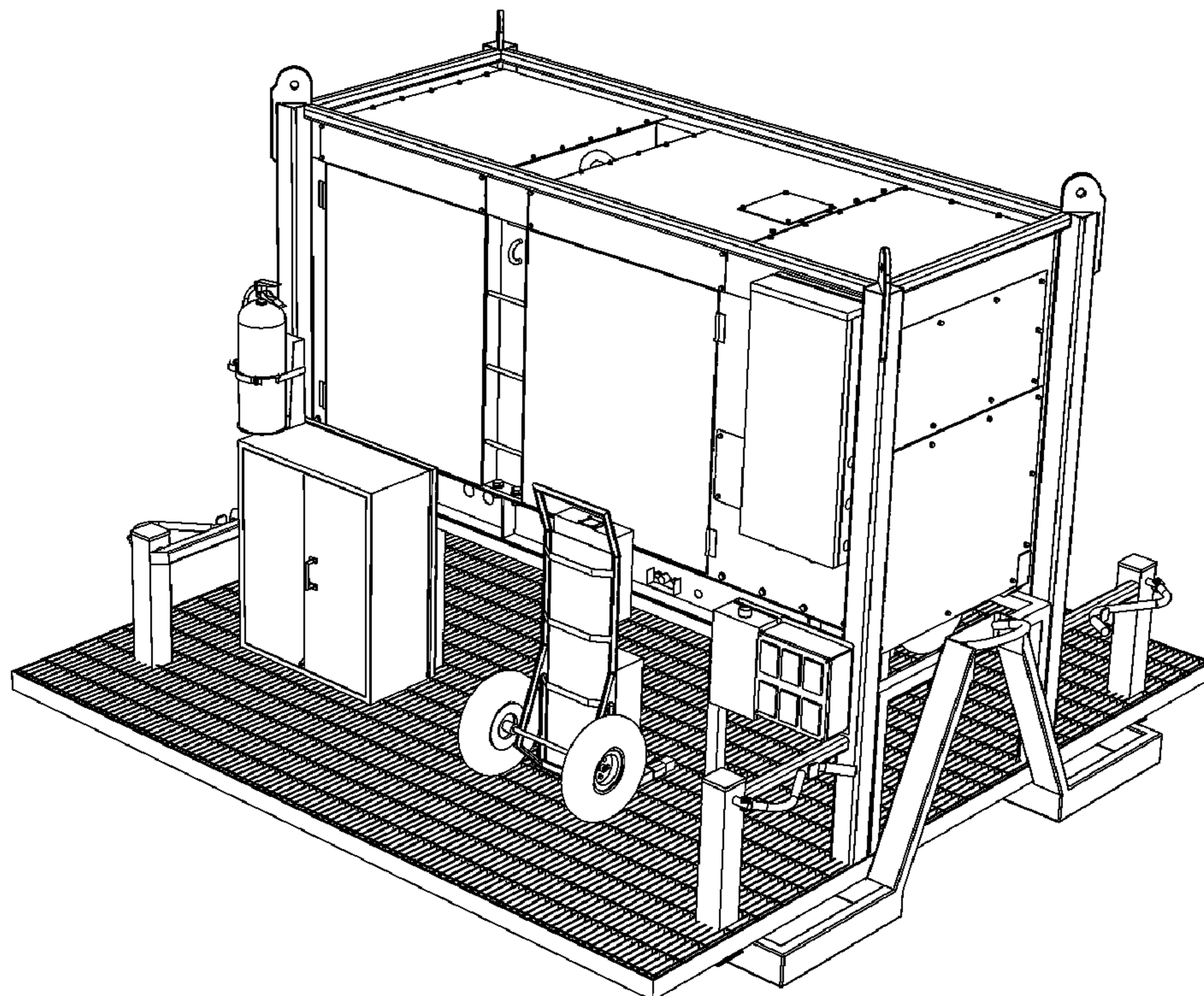


Figure 1

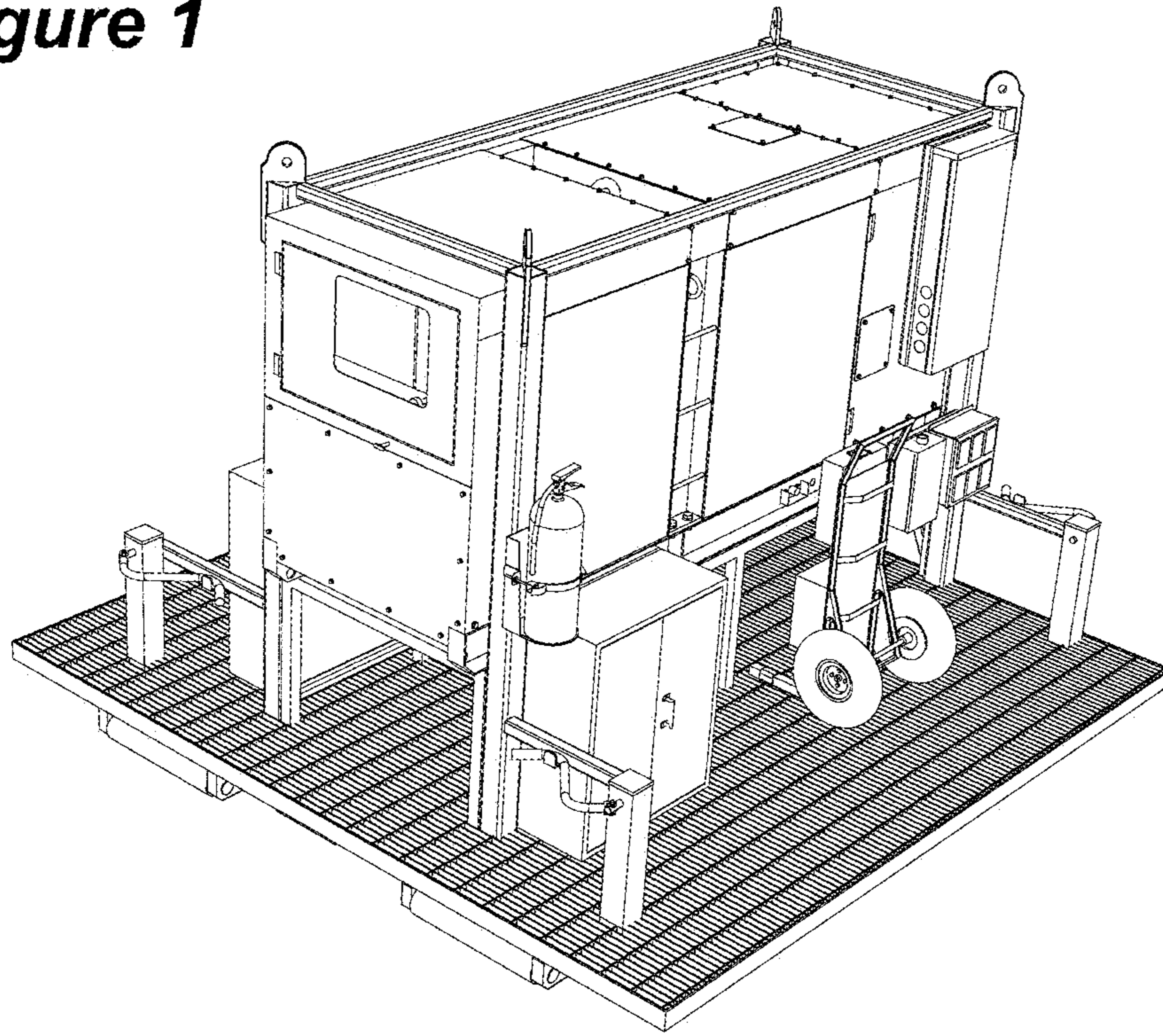


Figure 2

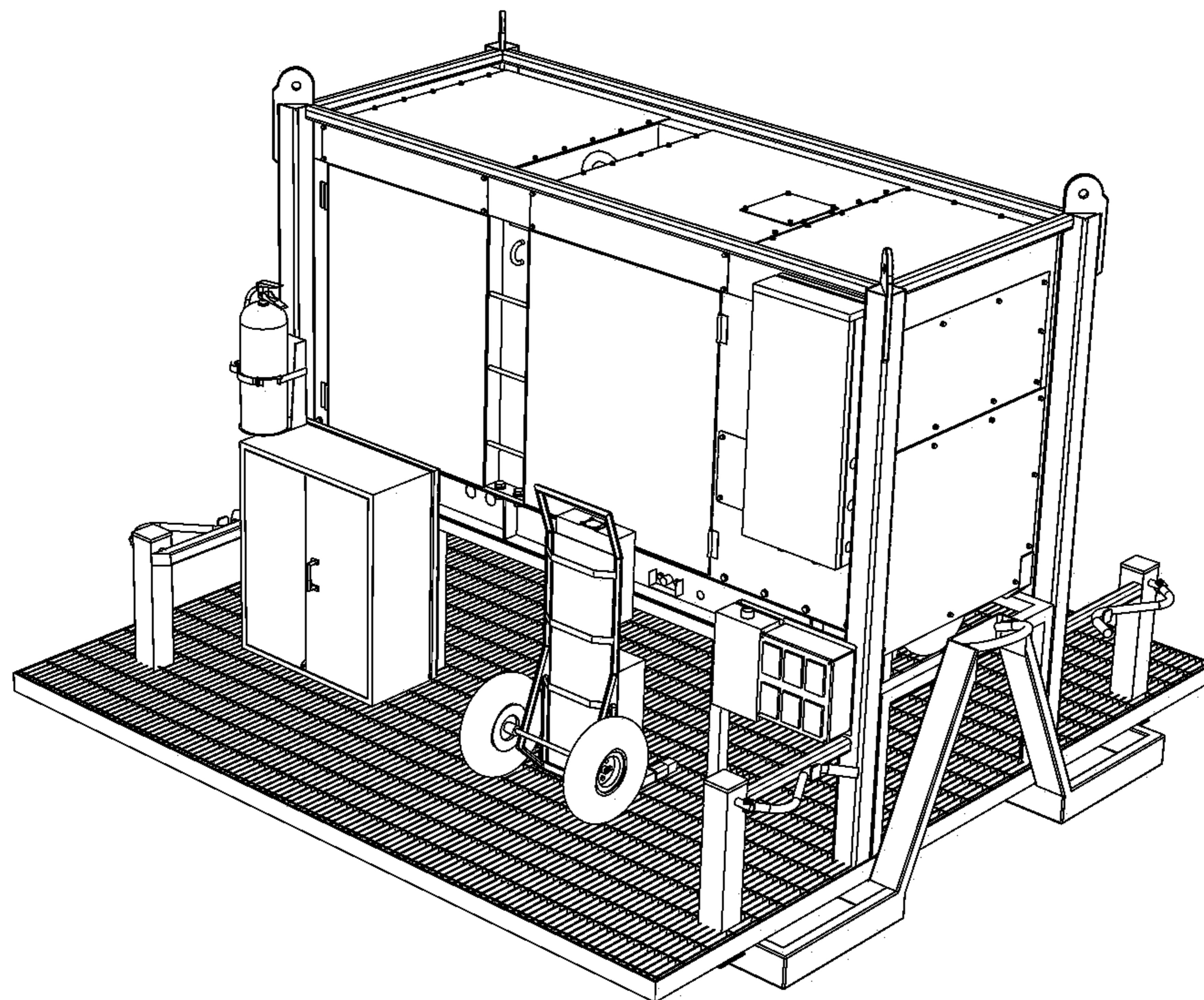


Figure 3

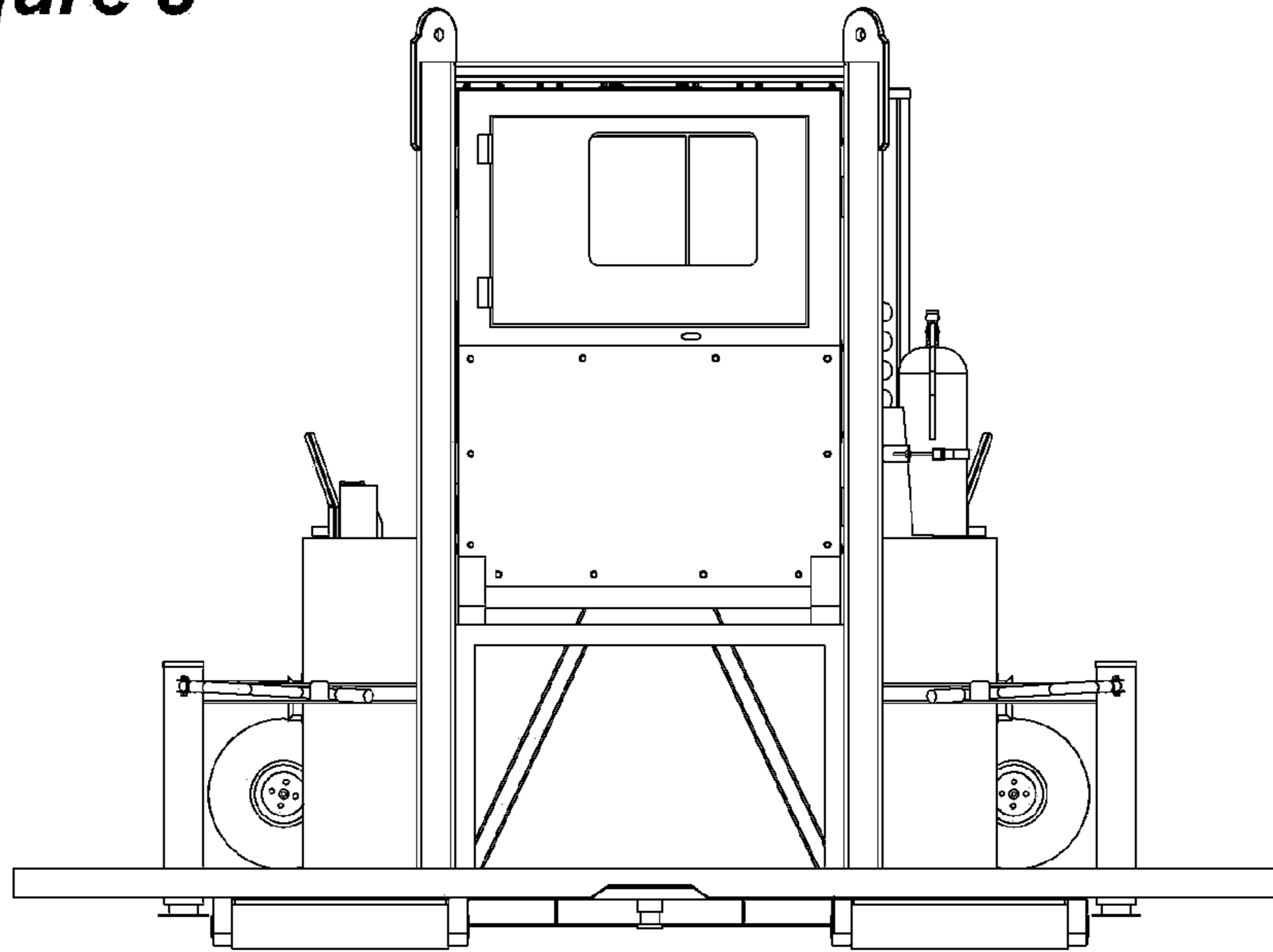


Figure 4

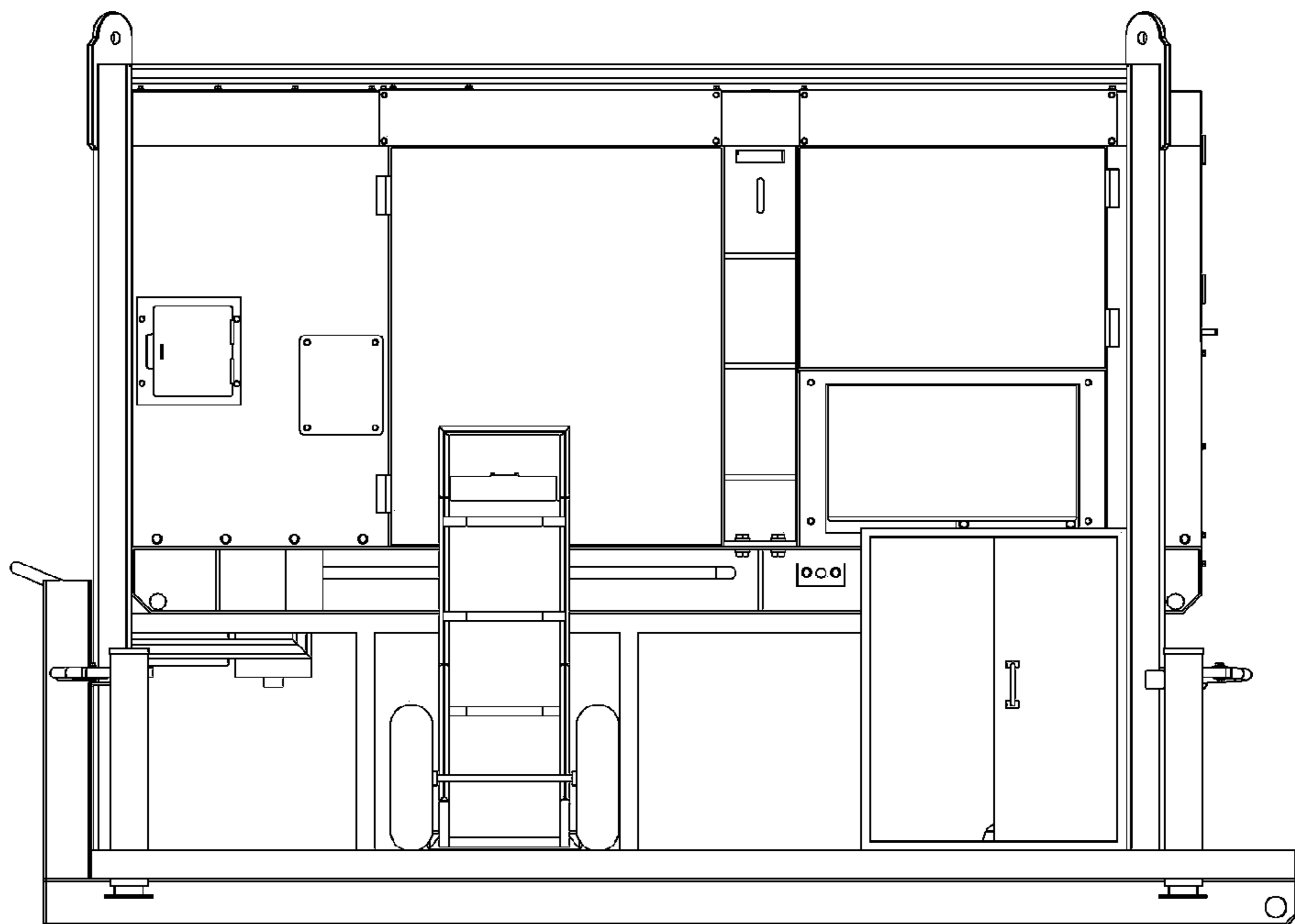


Figure 5

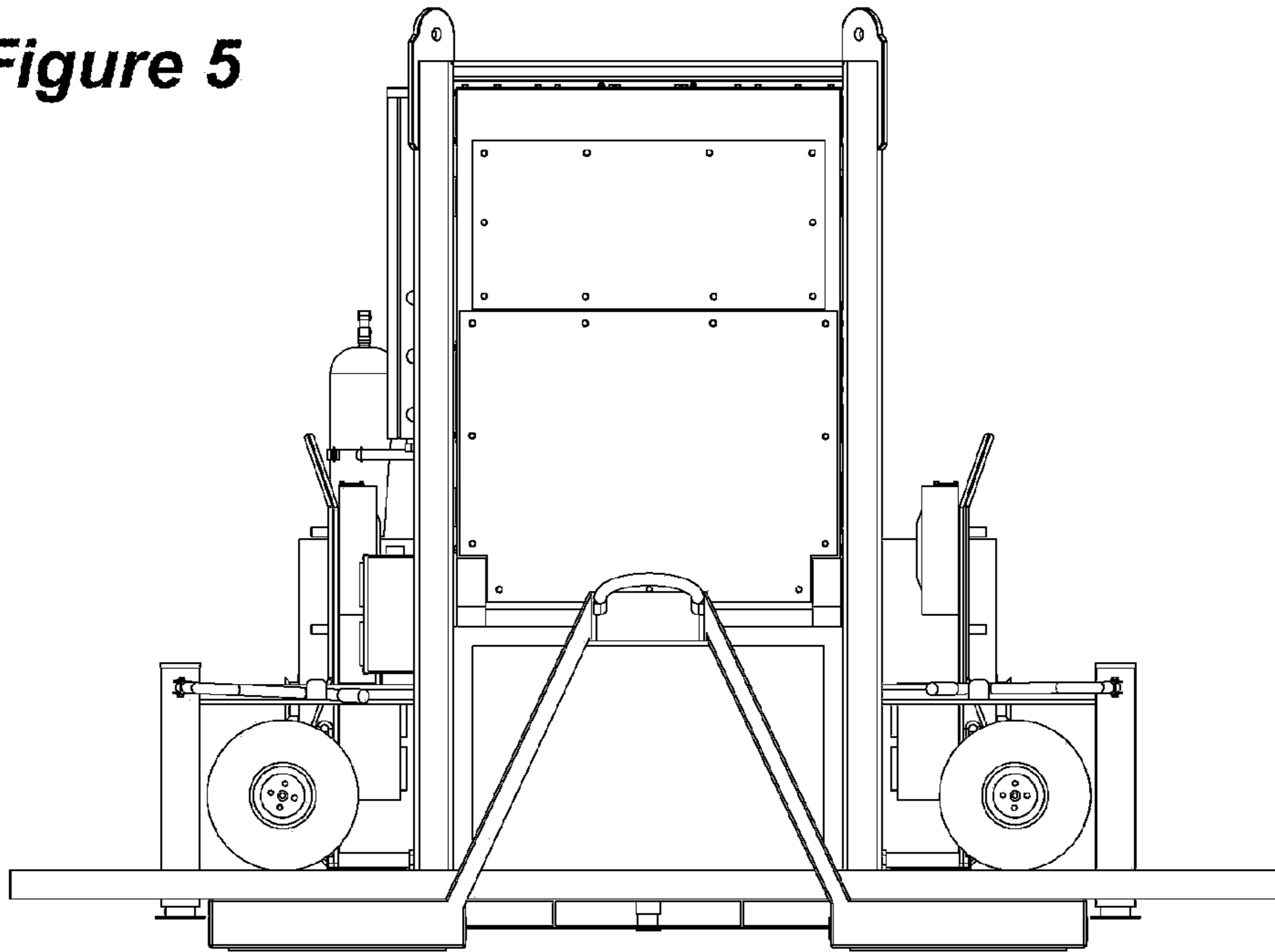


Figure 6

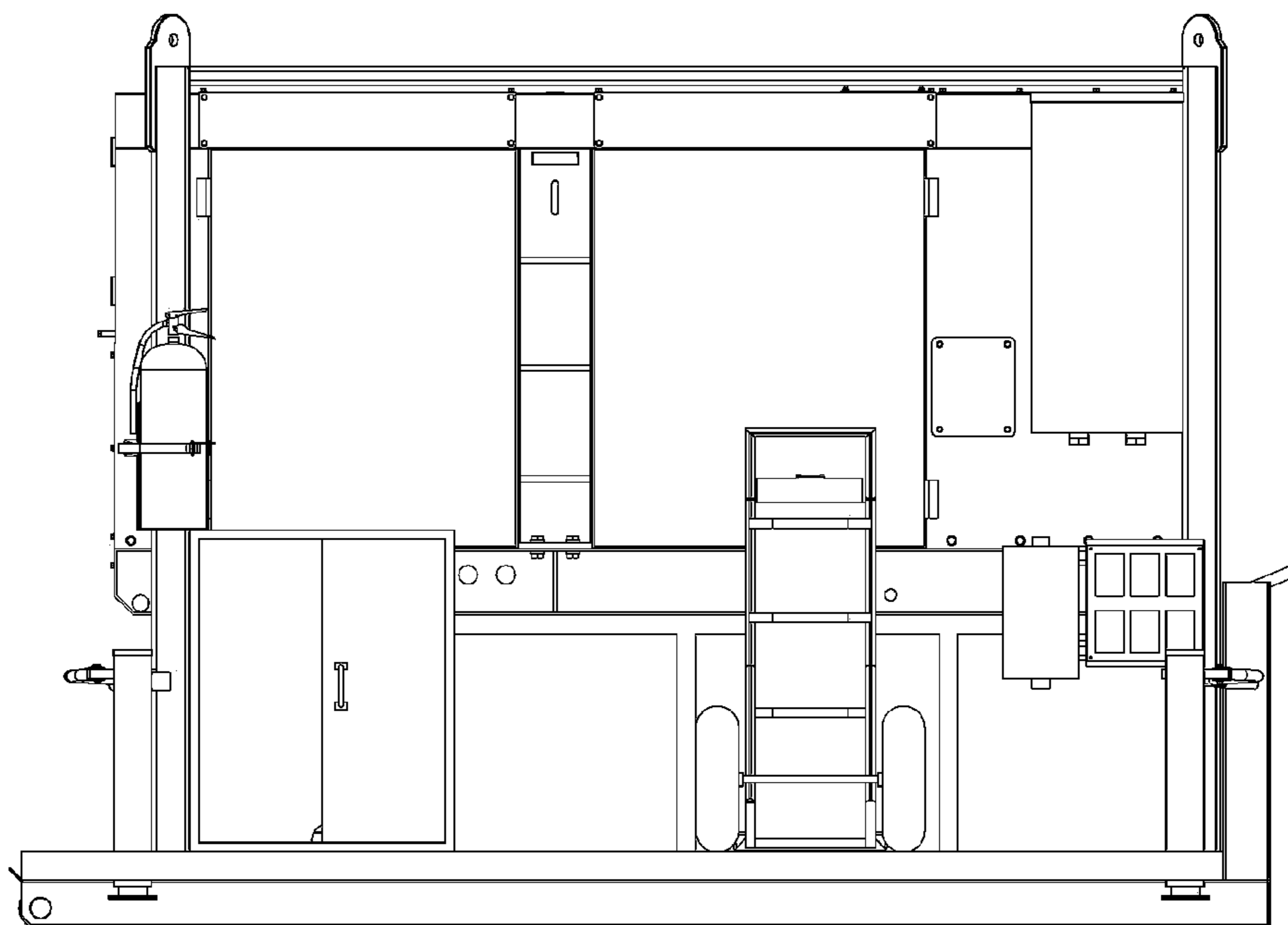


Figure 7

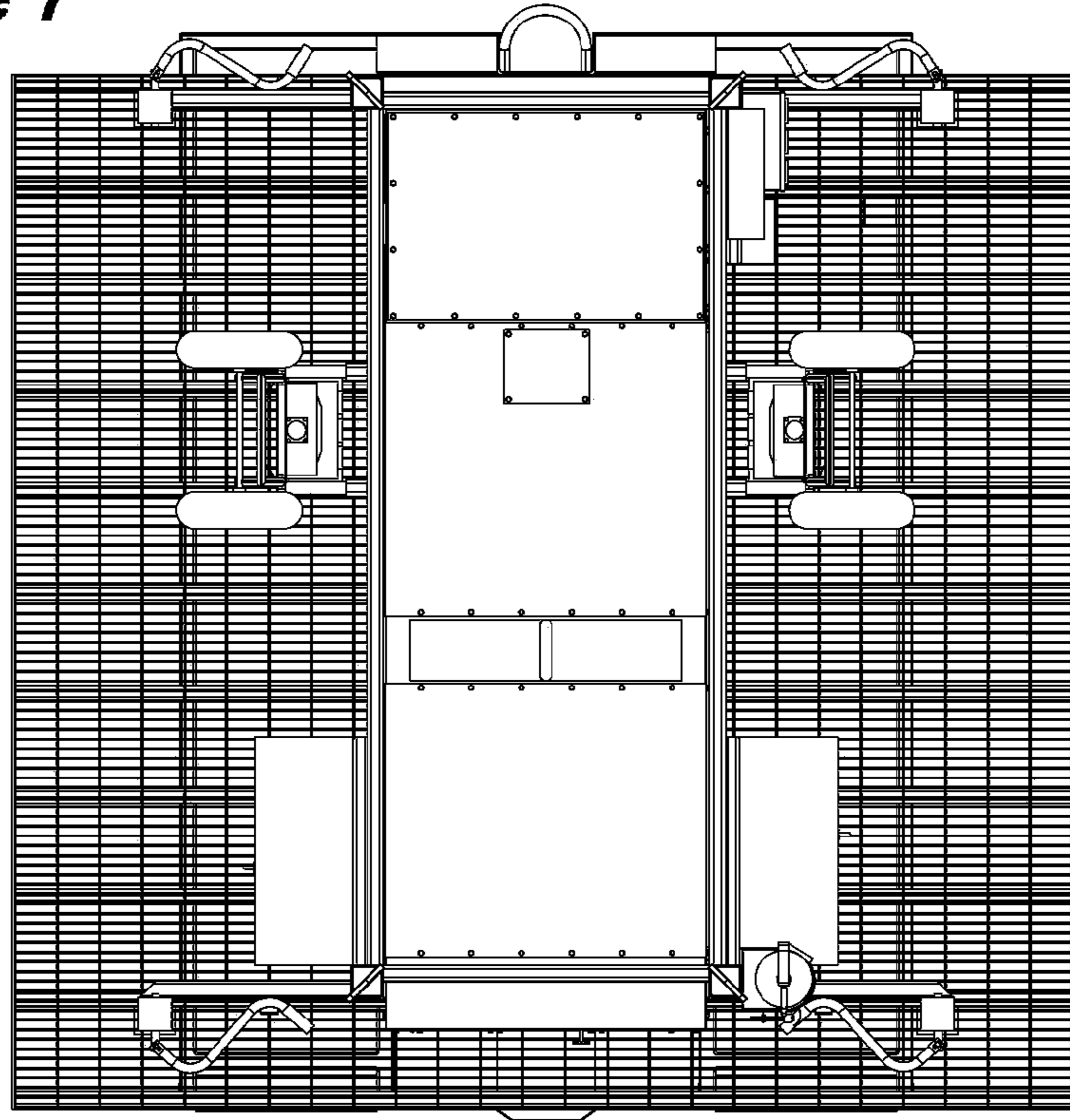


Figure 8

