

US00D731422S

(12) **United States Design Patent**
Aromin

(10) **Patent No.:** **US D731,422 S**
(45) **Date of Patent:** **** Jun. 9, 2015**

(54) **MINI APPLIANCE LEAKAGE CURRENT INTERRUPTER**

(71) Applicant: **Victor V. Aromin**, West Warwick, RI (US)

(72) Inventor: **Victor V. Aromin**, West Warwick, RI (US)

(73) Assignee: **Tower Mfg Corp**, Providence, RI (US)

(**) Term: **14 Years**

(21) Appl. No.: **29/463,531**

(22) Filed: **Dec. 20, 2013**

(51) **LOC (10) Cl.** **13-02**

(52) **U.S. Cl.**
USPC **D13/110; D13/138.1**

(58) **Field of Classification Search**
USPC D13/101, 110, 123, 133, 158-161, 183, D13/184, 199, 139.6, 138.1; D15/145, 199; 307/112, 139, 150; 361/42; D10/106.8; 310/10; D9/516; D7/537
See application file for complete search history.

(56) **References Cited**

U.S. PATENT DOCUMENTS

D356,066	S	*	3/1995	Rao et al.	D13/138.1
D364,826	S	*	12/1995	Wu	D10/75
5,661,623	A	*	8/1997	McDonald et al.	361/42
5,862,029	A	*	1/1999	Nicol	361/42
D414,747	S	*	10/1999	Aromin	D13/160
D434,010	S	*	11/2000	Stekelenburg	D13/160
D451,481	S	*	12/2001	MacKay	D13/160
D511,468	S	*	11/2005	Aromin	D13/138.1

D579,881	S	*	11/2008	Aromin	D13/160
D584,690	S	*	1/2009	Hsiung	D13/138.1
7,672,098	B2	*	3/2010	Zhang et al.	361/42
D633,869	S	*	3/2011	Aromin et al.	D13/138.1
D635,937	S	*	4/2011	Aromin et al.	D13/160
D652,801	S	*	1/2012	Zou	D13/139.8
D653,214	S	*	1/2012	Zou	D13/138.2
8,390,404	B2	*	3/2013	Zou	335/6
D708,575	S	*	7/2014	Aromin	D13/110
D708,576	S	*	7/2014	Aromin	D13/110
2006/0061924	A1	*	3/2006	Zhang	361/42
2006/0146456	A1	*	7/2006	Williams	361/42
2014/0139955	A1	*	5/2014	Ye et al.	361/42

* cited by examiner

Primary Examiner — Thomas Johannes
Assistant Examiner — Shawn T Gingrich

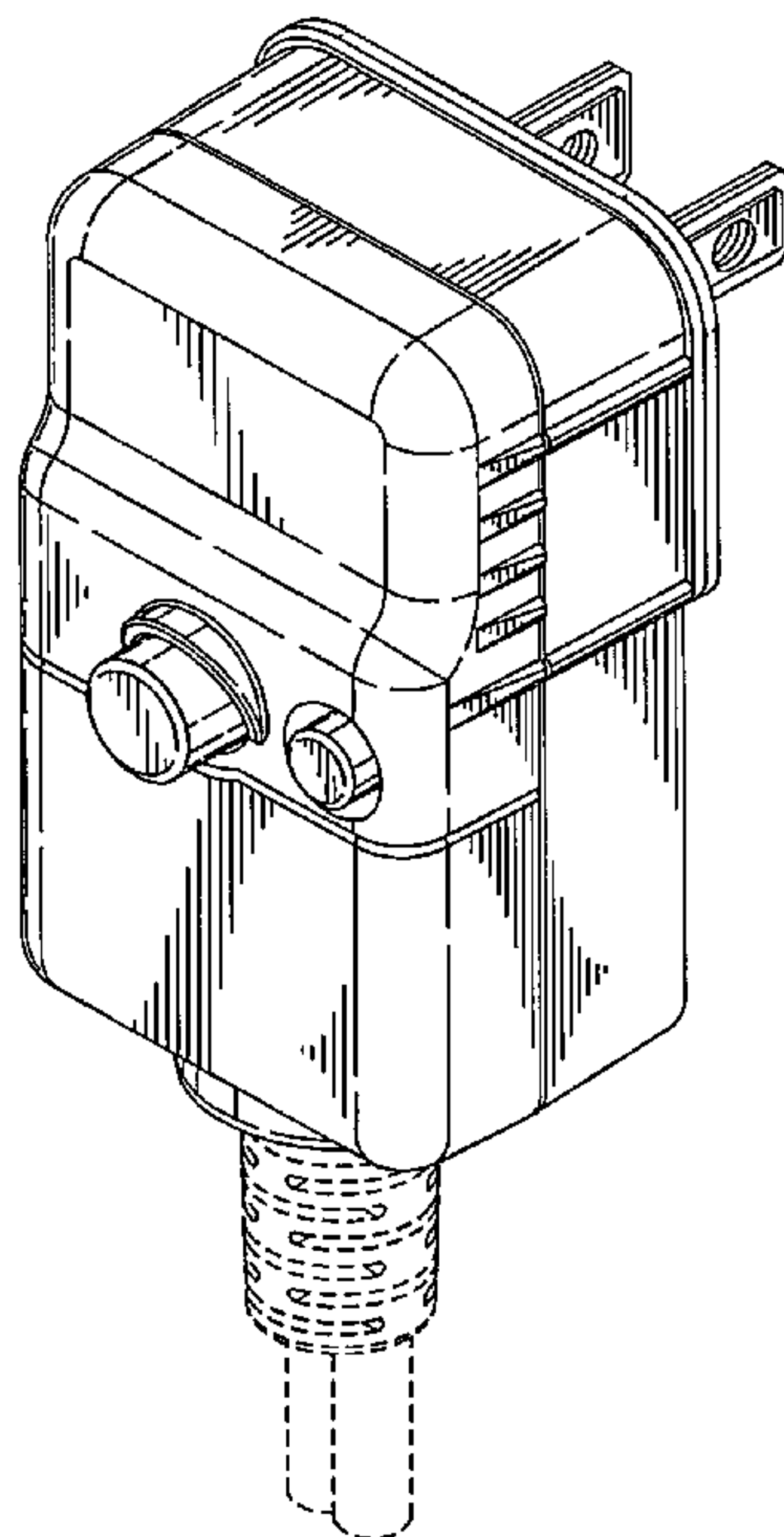
(57) **CLAIM**

The ornamental design for a miniature appliance leakage current interrupter, as shown and described.

DESCRIPTION

FIG. 1 is a front perspective view of the miniature appliance leakage current interrupter employing my new design; FIG. 2 is a rear perspective view of FIG. 1; FIG. 3 is a top view of FIG. 1; FIG. 4 is a bottom view of FIG. 1; FIG. 5 is a left side view of FIG. 1; FIG. 6 is a right side view of FIG. 1; FIG. 7 is a top end view of FIG. 1; and, FIG. 8 is a bottom end view of FIG. 1. The broken line portion of the figure drawings is included to show unclaimed subject matter only and forms no part of the claimed design.

1 Claim, 7 Drawing Sheets



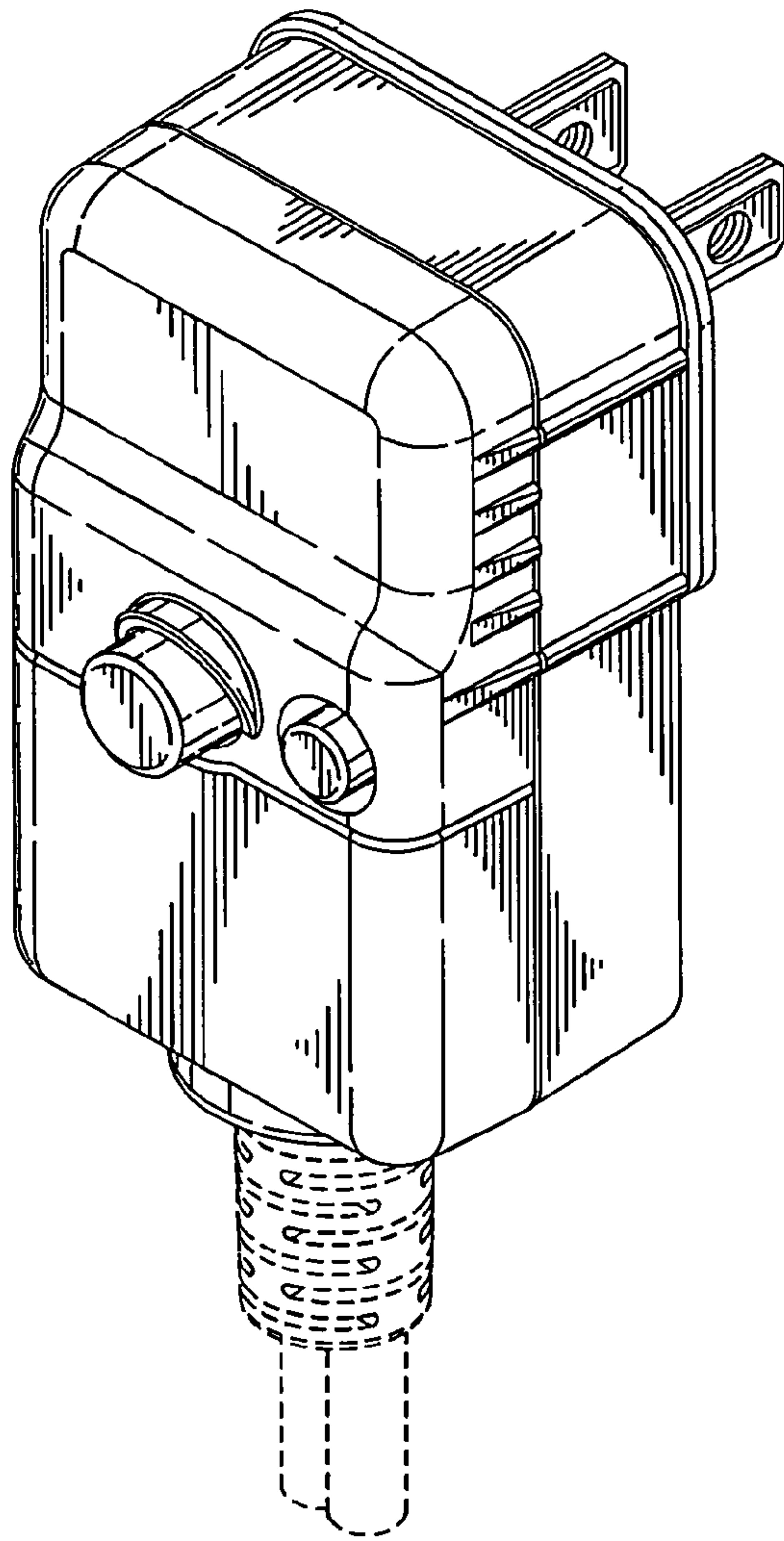


FIG. 1

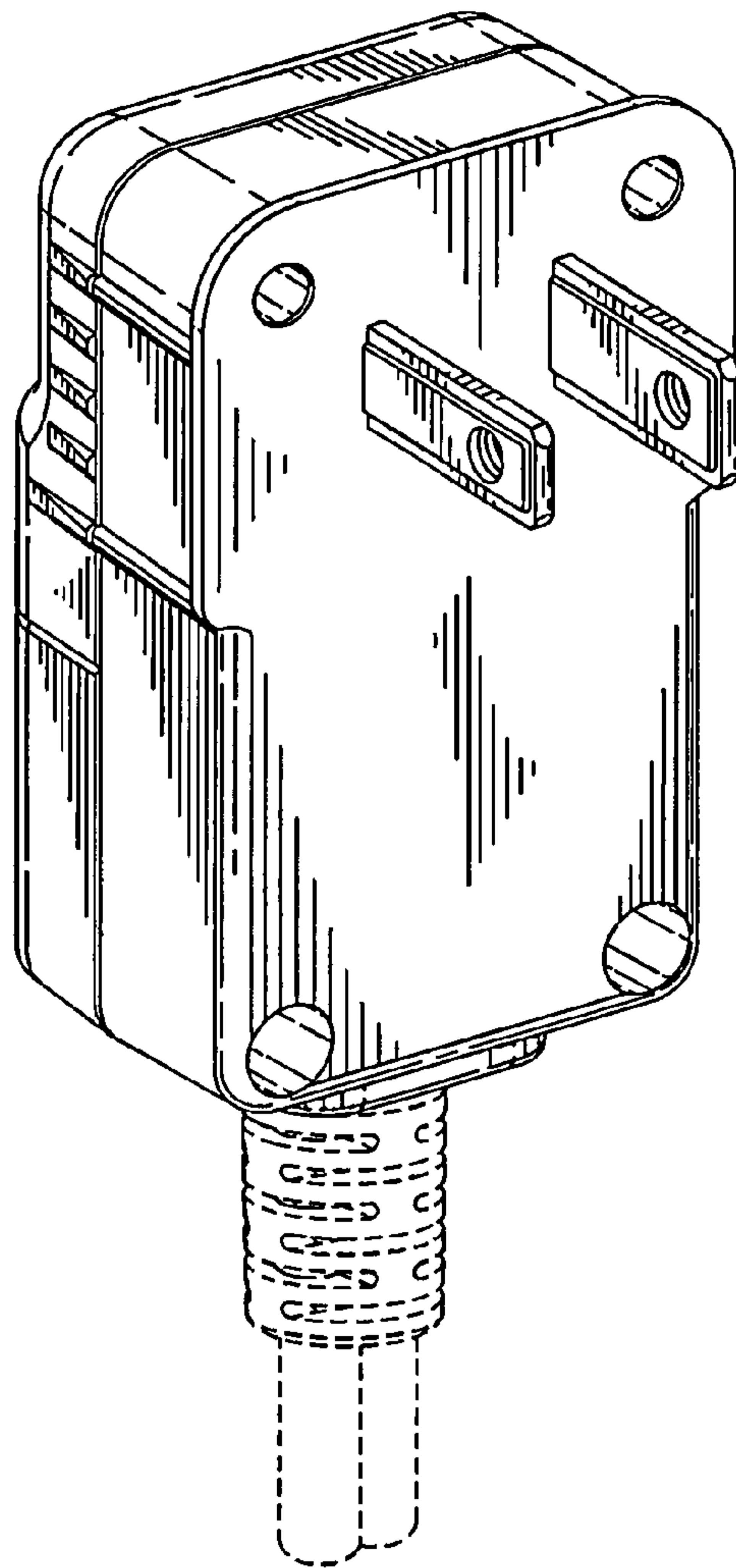


FIG. 2

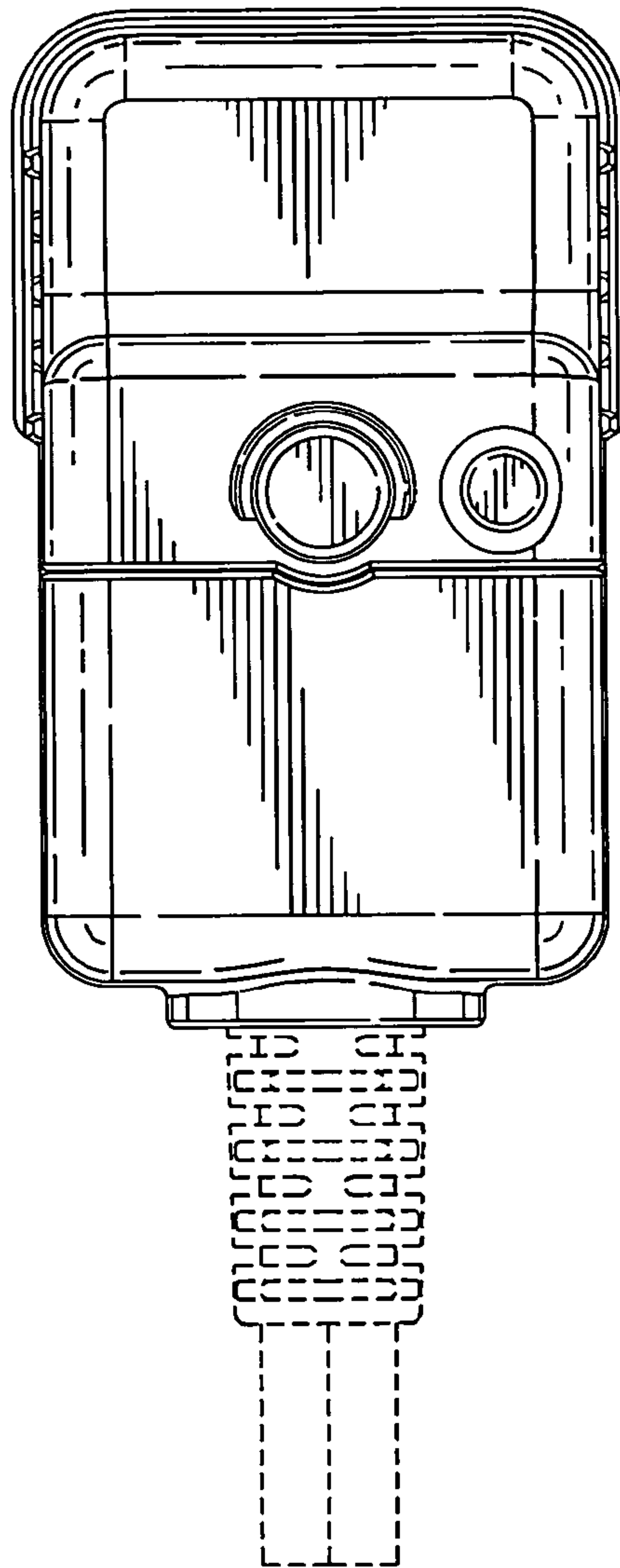


FIG. 3

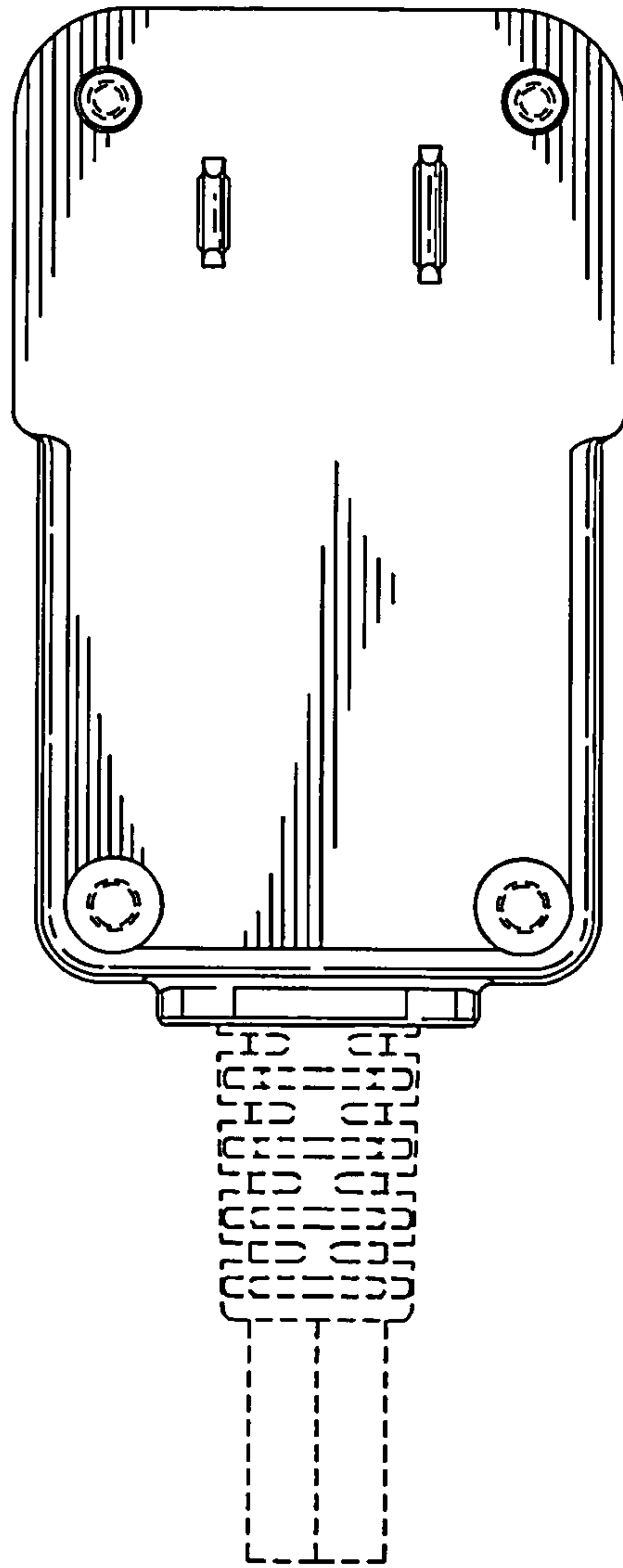


FIG. 4

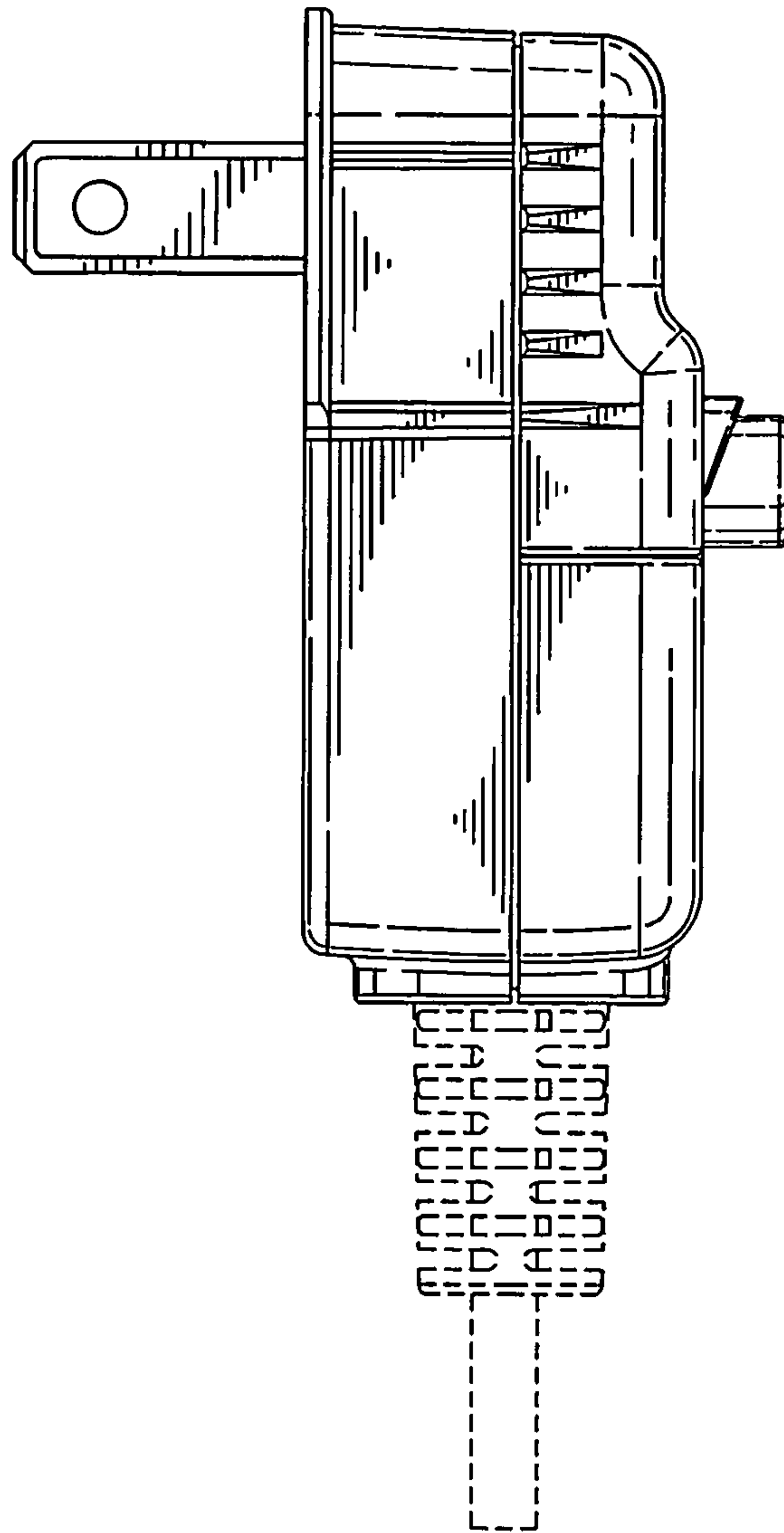


FIG. 5

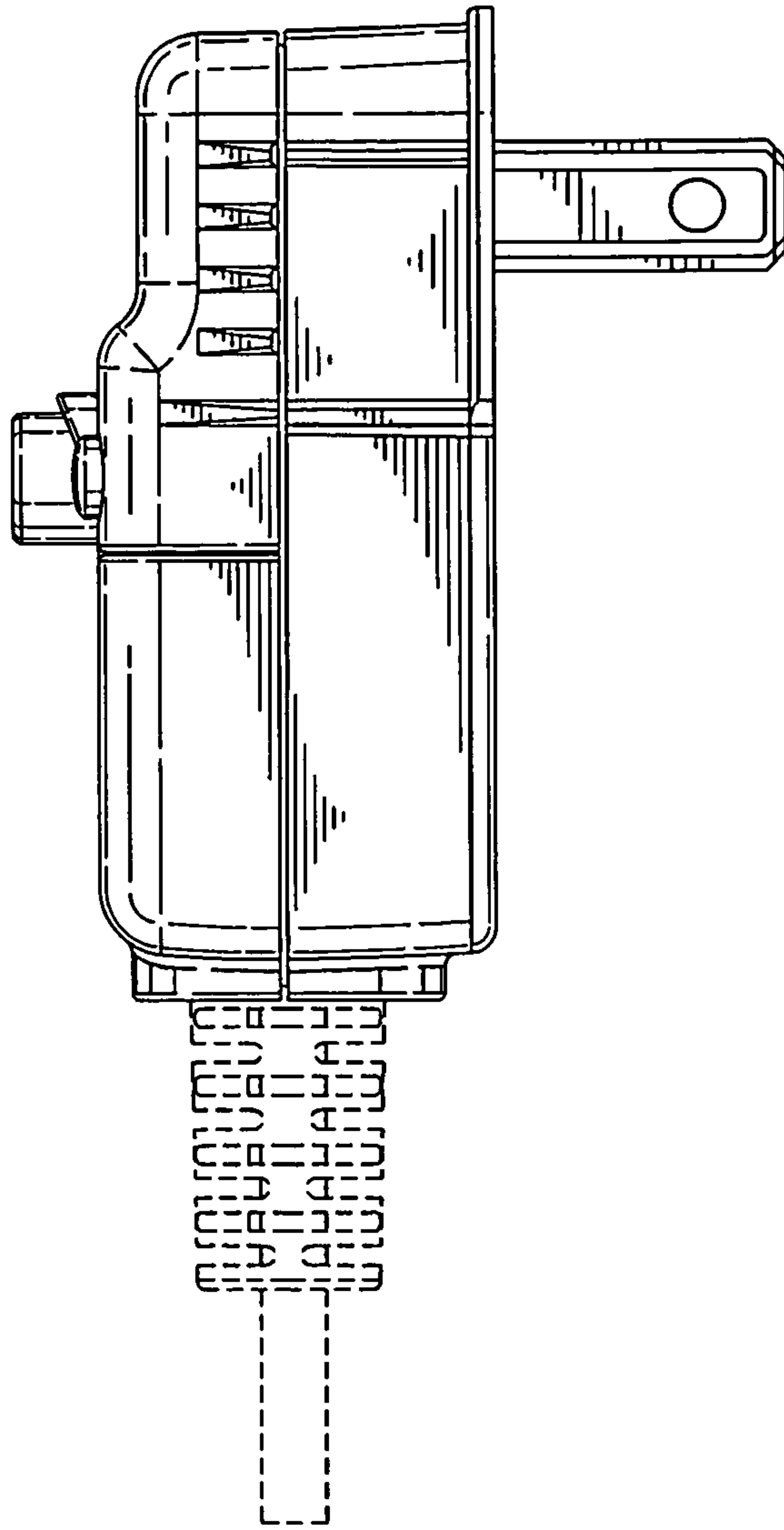


FIG. 6

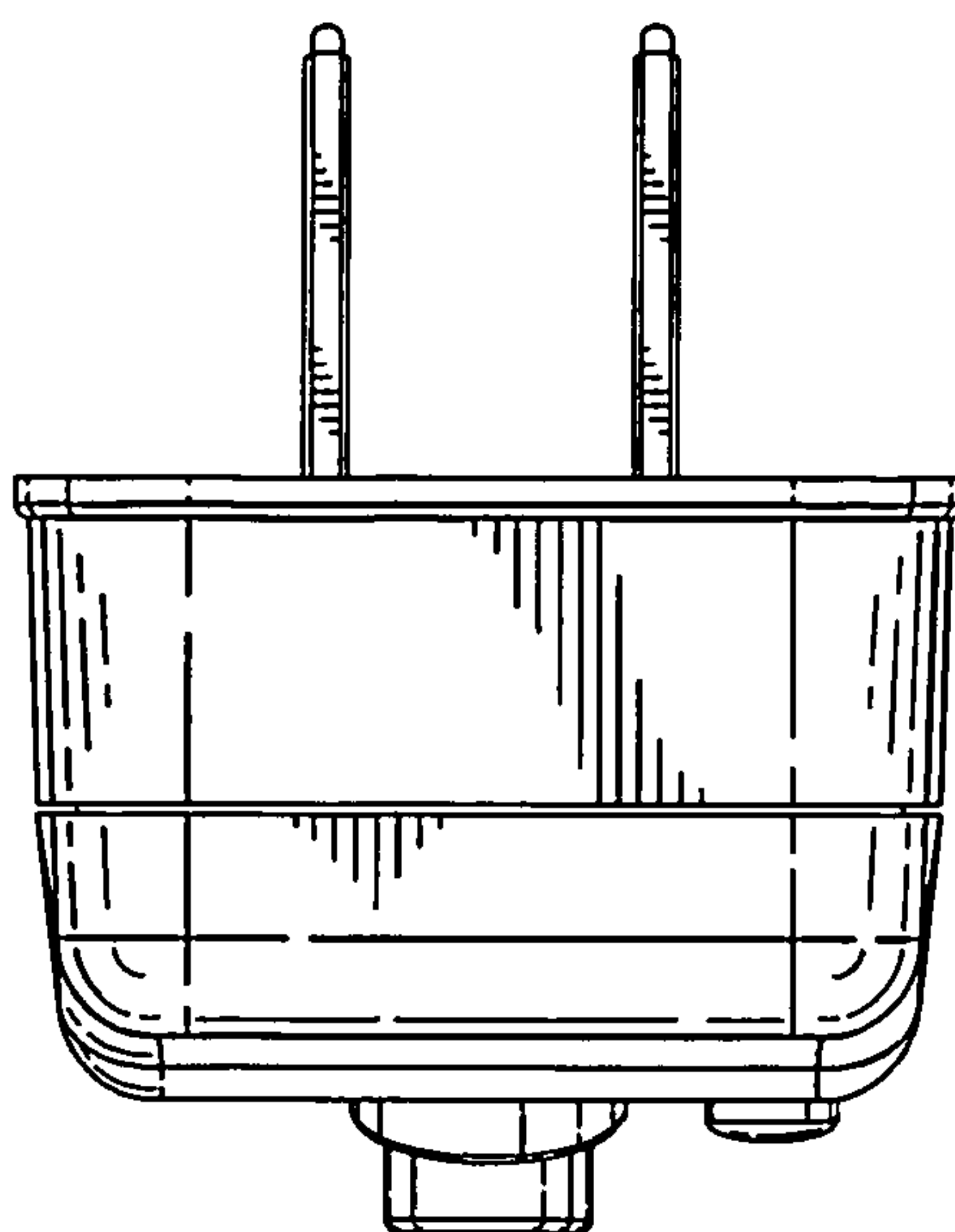


FIG. 7

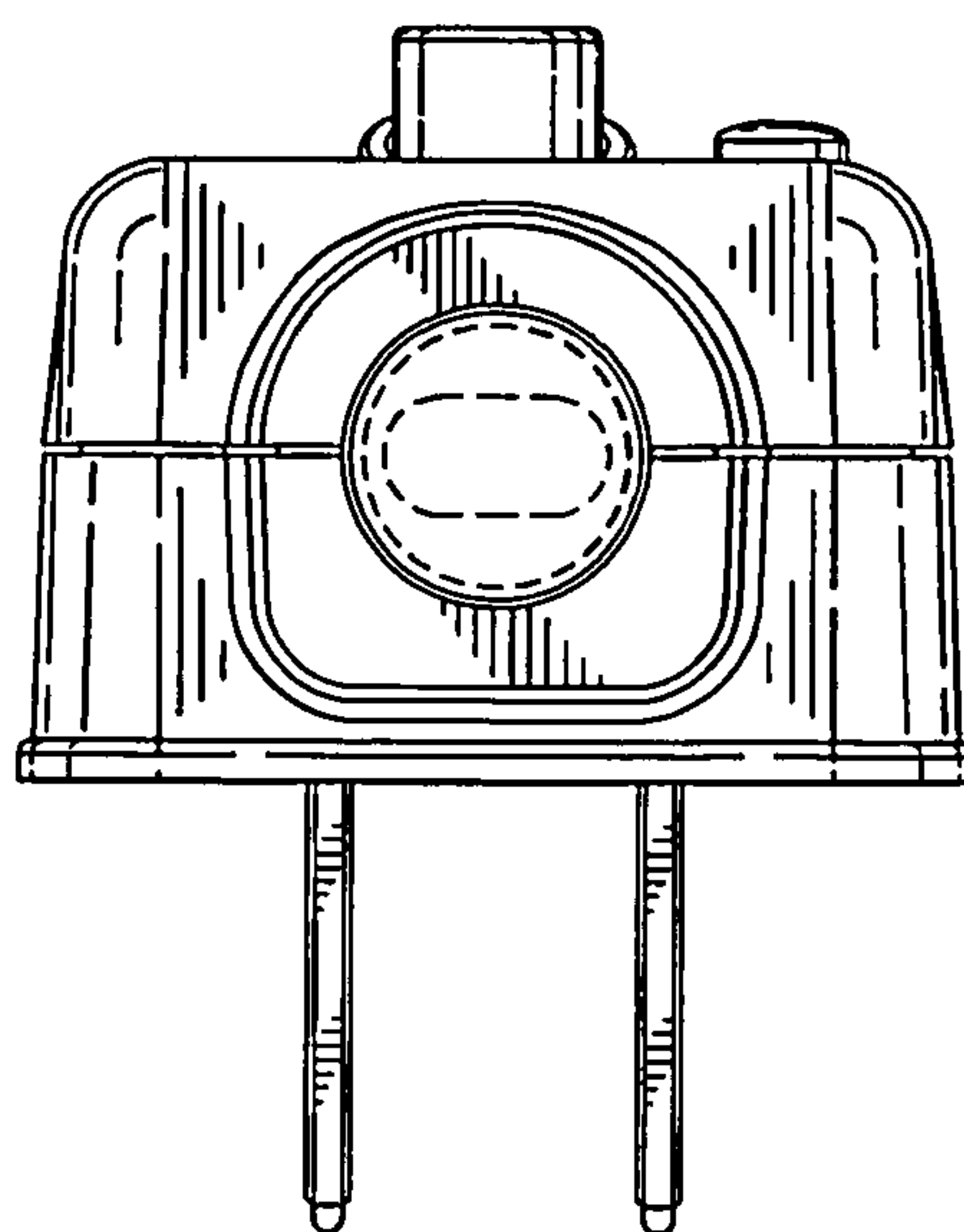


FIG. 8