



US00D731420S

(12) **United States Design Patent**
Croft et al.

(10) **Patent No.:** **US D731,420 S**
(45) **Date of Patent:** **** Jun. 9, 2015**

(54) **USB CHARGER**

(71) Applicant: **Atomi, Inc.**, New York, NY (US)

(72) Inventors: **Robert Croft**, Montclair, NJ (US);
Martin Short, Jersey City, NJ (US);
Stephane Krumenacker, New York, NY (US)

(73) Assignee: **ATOMI, INC.**, New York, NY (US)

(**) Term: **14 Years**

(21) Appl. No.: **29/483,905**

(22) Filed: **Mar. 4, 2014**

(51) **LOC (10) Cl.** **13-02**

(52) **U.S. Cl.**

USPC **D13/108**

(58) **Field of Classification Search**

USPC D13/107-110, 118-119, 184, 199;
D14/251, 253, 432, 434

CPC H02J 7/025; H02J 7/0042; H02J 7/0044;
H02J 7/0045; H02J 7/0054; H02J 7/0003;
B60L 11/182; Y02E 60/12; Y02T 10/7005;
Y02T 10/7088; Y02T 90/14; Y02T 90/163;
Y02T 90/122; Y02T 90/128; H01M 2/1022;
H01M 2/1055; H01M 10/46; H01M 10/44;
H01M 10/425; H01F 38/14; H01R 13/6675

See application file for complete search history.

(56) **References Cited**

U.S. PATENT DOCUMENTS

D147,151 S * 7/1947 Schinske D13/107

D278,508 S *	4/1985	Kafka	D7/386
D416,536 S *	11/1999	Ross et al.	D13/107
D425,866 S *	5/2000	Nagasawa et al.	D13/147
D455,397 S *	4/2002	Weiner et al.	D13/108
D456,351 S *	4/2002	Yoneda	D13/108
D509,789 S *	9/2005	Motoishi	D13/108
D516,074 S *	2/2006	Ho et al.	D14/433
D551,617 S *	9/2007	Houghton	D13/108
D591,750 S *	5/2009	Wang	D14/434
D678,190 S *	3/2013	Beroukas et al.	D13/107
D693,768 S *	11/2013	Alesi et al.	D13/110

* cited by examiner

Primary Examiner — Rosemary K Tarcza

(74) *Attorney, Agent, or Firm* — Gordon & Jacobson, PC

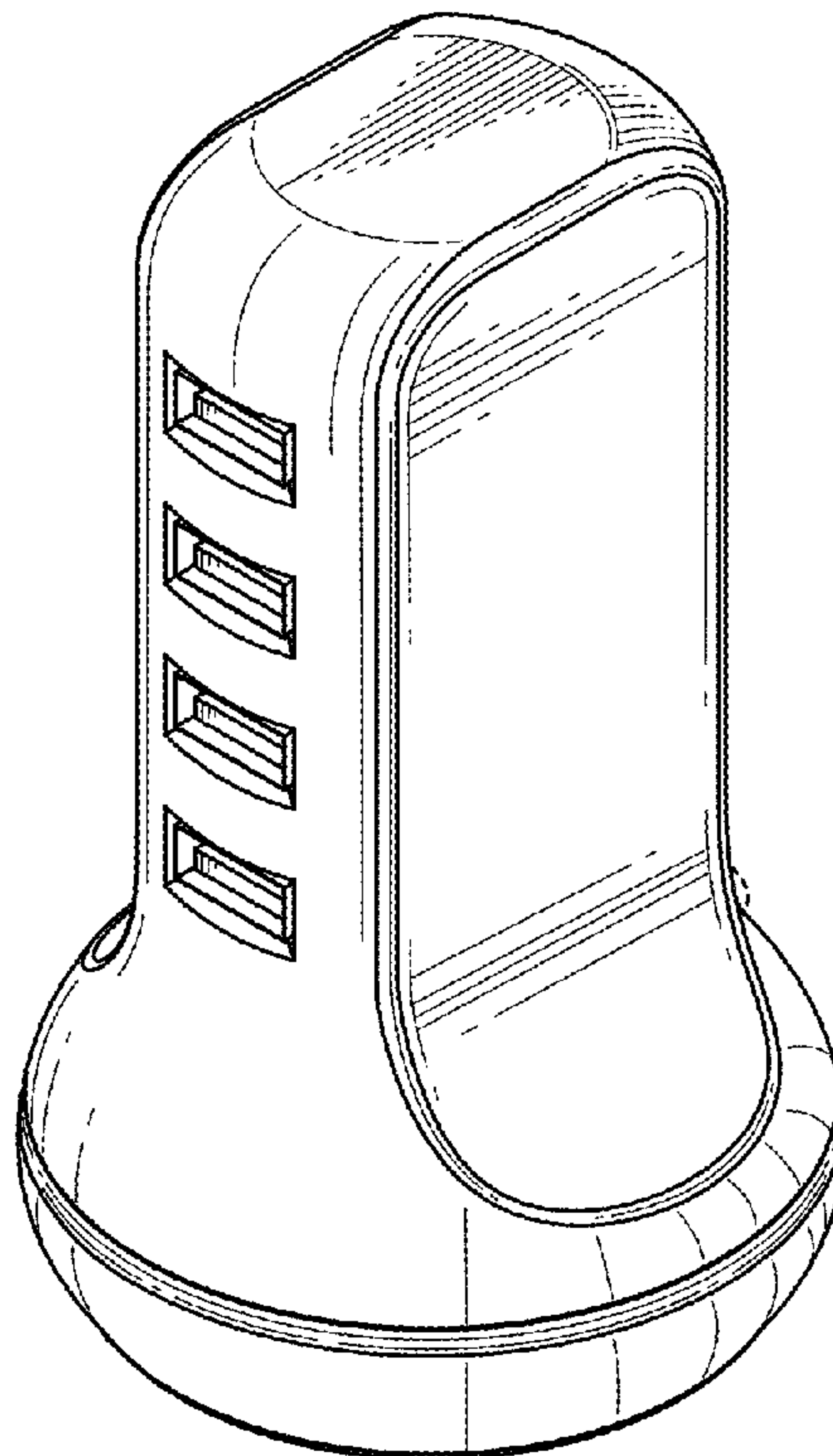
(57) **CLAIM**

The ornamental design for a USB charger, as shown and described.

DESCRIPTION

FIG. 1 is a perspective view of a USB charger;
FIG. 2 is a front view of the USB charger of FIG. 1;
FIG. 3 is a rear view of the USB charger of FIG. 1
FIG. 4 is a right side view of the USB charger of FIG. 1, the left side view being a mirror image thereof;
FIG. 5 is a top view of the USB charger of FIG. 1; and,
FIG. 6 is a bottom view of the USB charger of FIG. 1.
The broken lines shown in the drawings are included for the purpose of illustrating environmental structure and form no part of the claimed design.

1 Claim, 3 Drawing Sheets



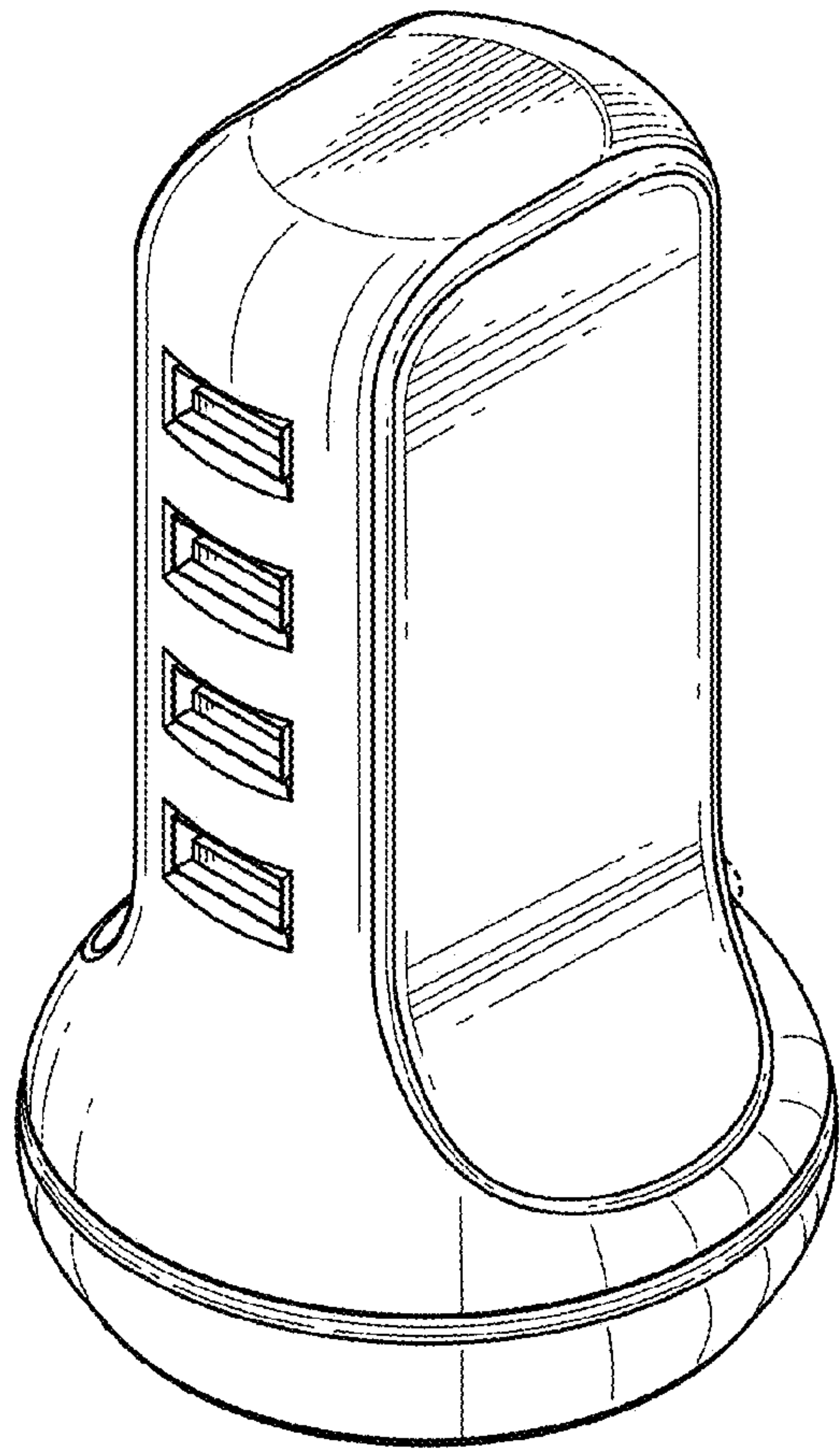


Fig. 1

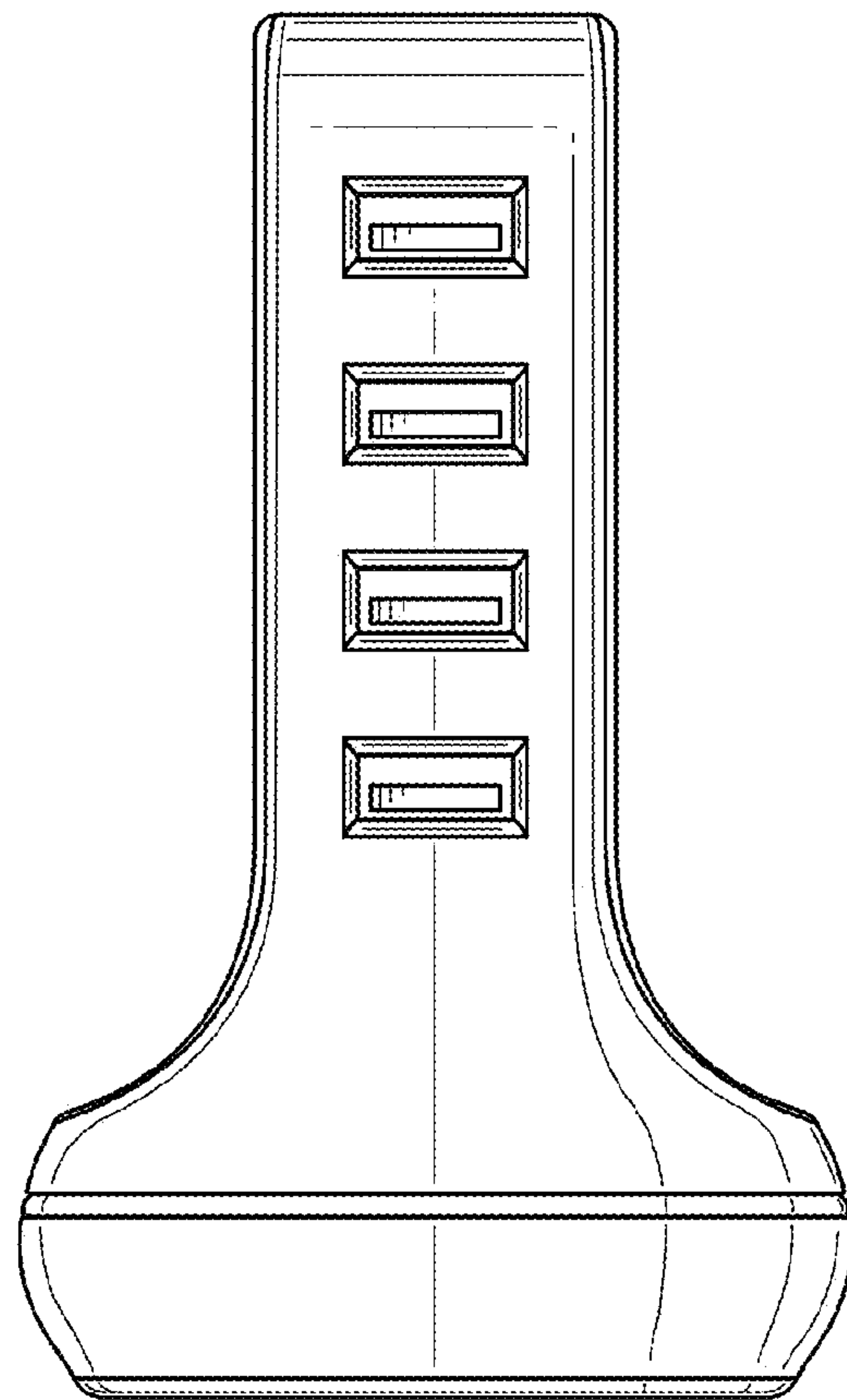


Fig. 2

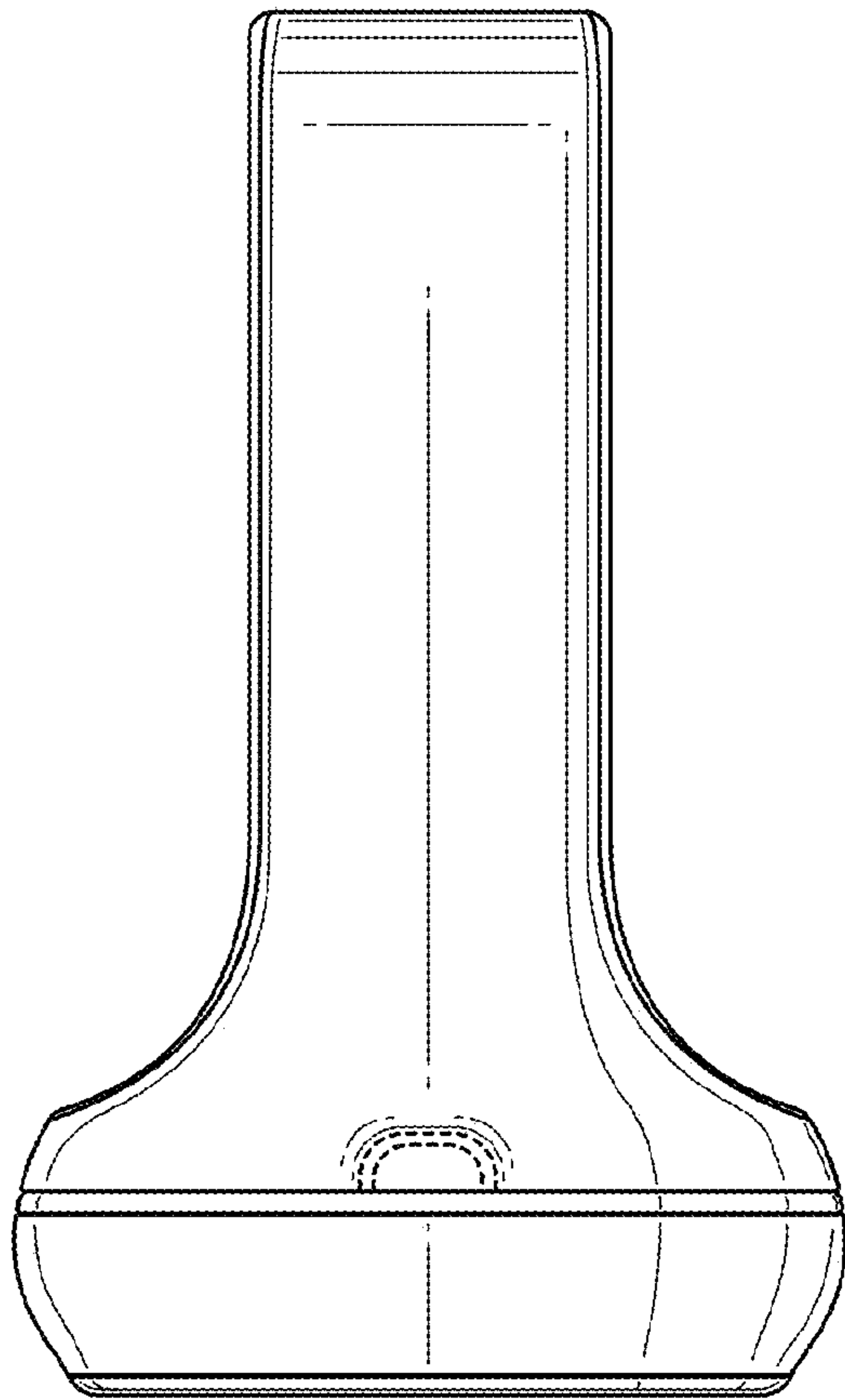
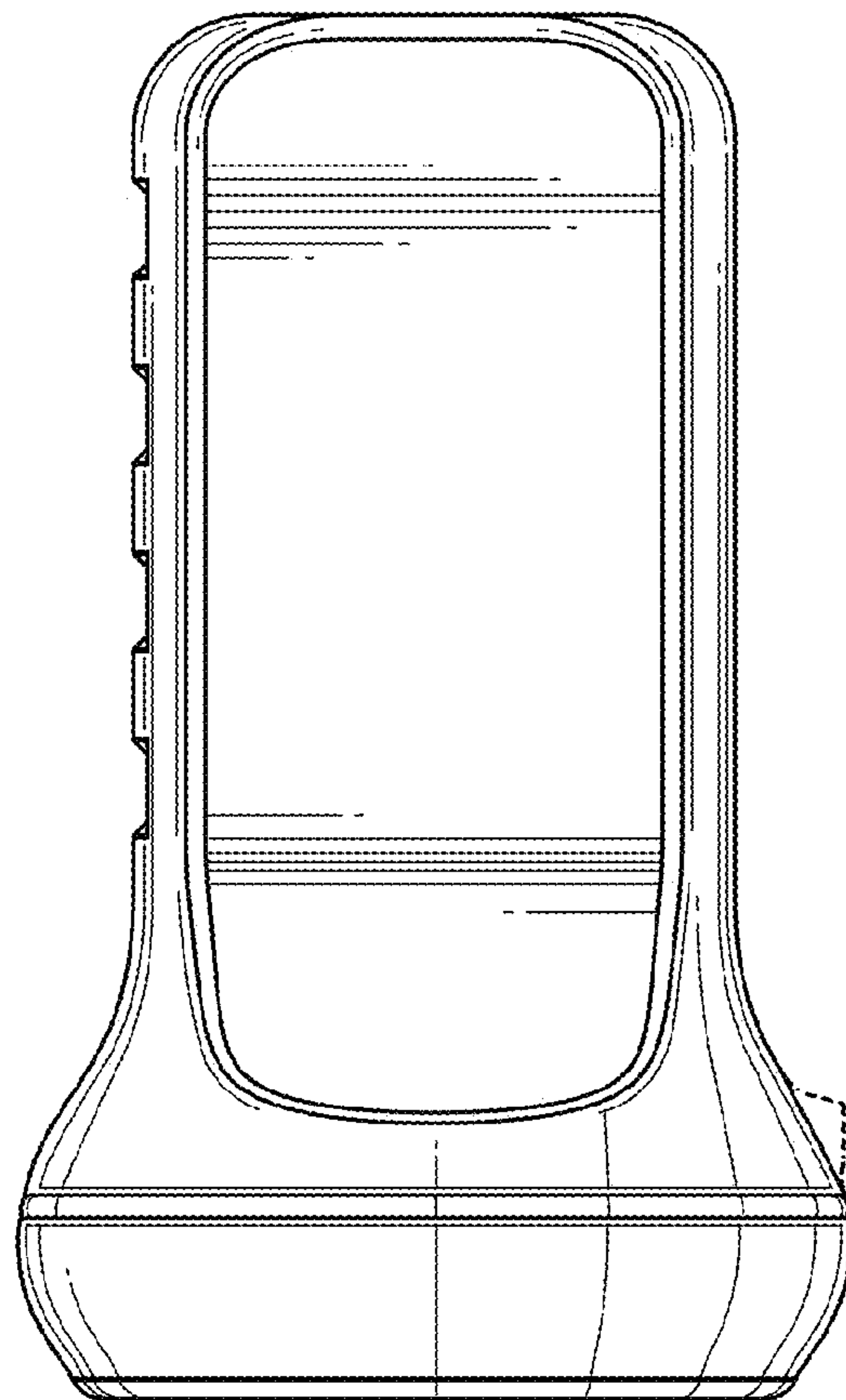


Fig. 3

Fig. 4



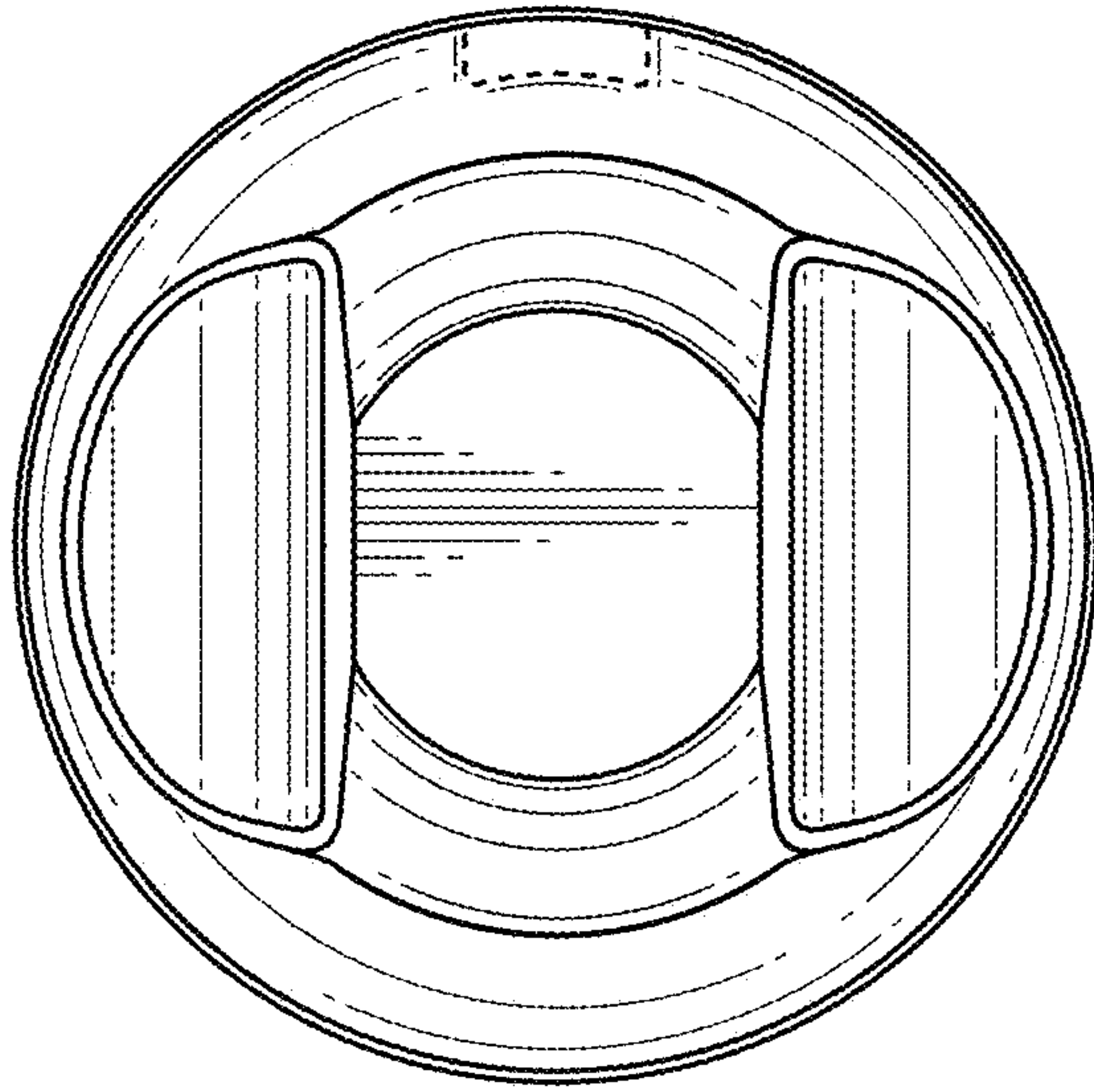


Fig. 5

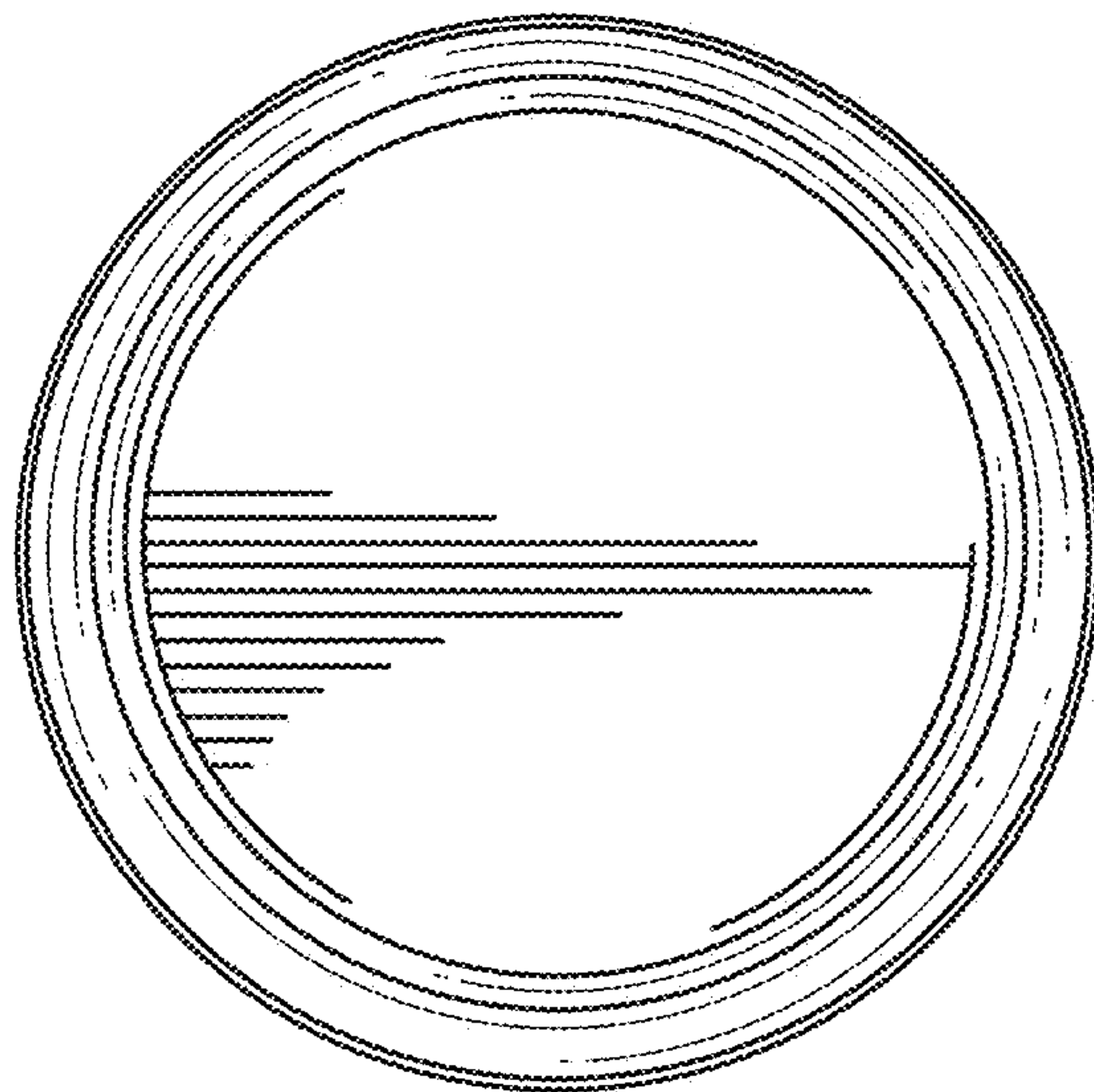


Fig. 6