



US00D731419S

(12) **United States Design Patent**
Kao et al.

(10) **Patent No.:** **US D731,419 S**
(45) **Date of Patent:** **** Jun. 9, 2015**

(54) **PORTABLE POWER BANK**

(71) Applicant: **ACBEL POLYTECH INC.**, Taipei (TW)

(72) Inventors: **Ching-Shang Kao**, New Taipei (TW);
Chiu-Lih Chang, New Taipei (TW);
Sheng-Yung Lai, New Taipei (TW);
Wei-Qiang Li, New Taipei (TW)

(73) Assignee: **ACBEL POLYTECH INC.**, Taipei (TW)

(**) Term: **14 Years**

(21) Appl. No.: **29/476,962**

(22) Filed: **Dec. 18, 2013**

(30) **Foreign Application Priority Data**

Aug. 14, 2013 (TW) 102305514

(51) **LOC (10) Cl.** **13-02**

(52) **U.S. Cl.**
USPC **D13/108; D13/110**

(58) **Field of Classification Search**
USPC D13/107-110, 118-119, 184, 199;
D14/251, 253, 432, 434
CPC H02J 7/025; H02J 7/0042; H02J 7/0044;
H02J 7/0045; H02J 7/0054; H02J 7/0003;
B60L 11/182; Y02E 60/12; Y02T 10/7005;
Y02T 10/7088; Y02T 90/14; Y02T 90/163;
Y02T 90/122; Y02T 90/128; H01M 2/1022;
H01M 2/1055; H01M 10/46; H01M 10/44;
H01M 10/425; H01F 38/14; H01R 13/6675

See application file for complete search history.

(56) **References Cited**

U.S. PATENT DOCUMENTS

D247,619	S	*	3/1978	Edgell et al.	D13/103
D367,257	S	*	2/1996	Buelow et al.	D13/110
5,611,701	A	*	3/1997	Hahn	439/131
D596,562	S	*	7/2009	Hong et al.	D13/110
D638,355	S	*	5/2011	Chen	D13/110
D638,356	S	*	5/2011	Chen	D13/110
D652,381	S	*	1/2012	Tien	D13/110
D669,029	S	*	10/2012	Huang	D13/110
D687,374	S	*	8/2013	Biedermann et al.	D13/108
D687,375	S	*	8/2013	Franco et al.	D13/108
2009/0309542	A1	*	12/2009	Hung et al.	320/111
2013/0150134	A1	*	6/2013	Pliner et al.	455/573

* cited by examiner

Primary Examiner — Rosemary K Tarcza

(74) *Attorney, Agent, or Firm* — patenttm.us

(57) **CLAIM**

The ornamental design for a portable power bank, as shown and described.

DESCRIPTION

FIG. 1 is a front perspective view of a portable power bank showing our new design;

FIG. 2 is a front view thereof;

FIG. 3 is a rear view thereof;

FIG. 4 is a left side view thereof;

FIG. 5 is a right side view thereof;

FIG. 6 is a top view thereof;

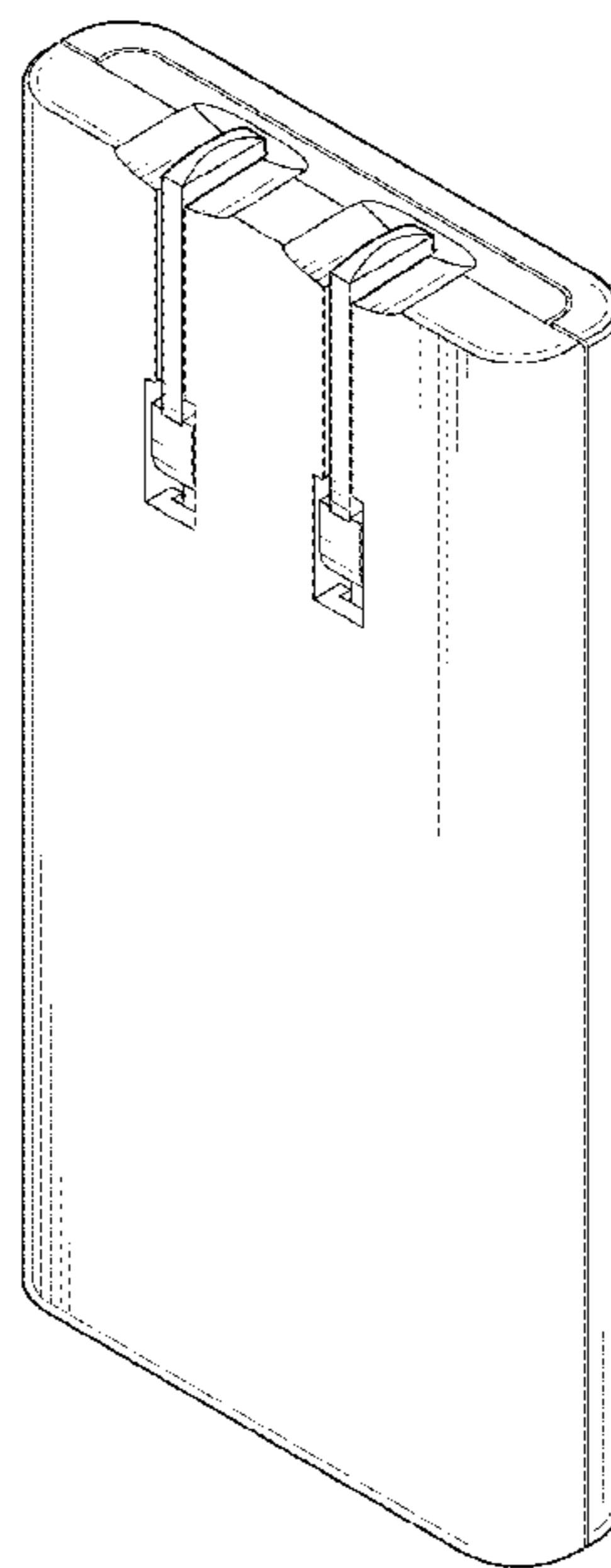
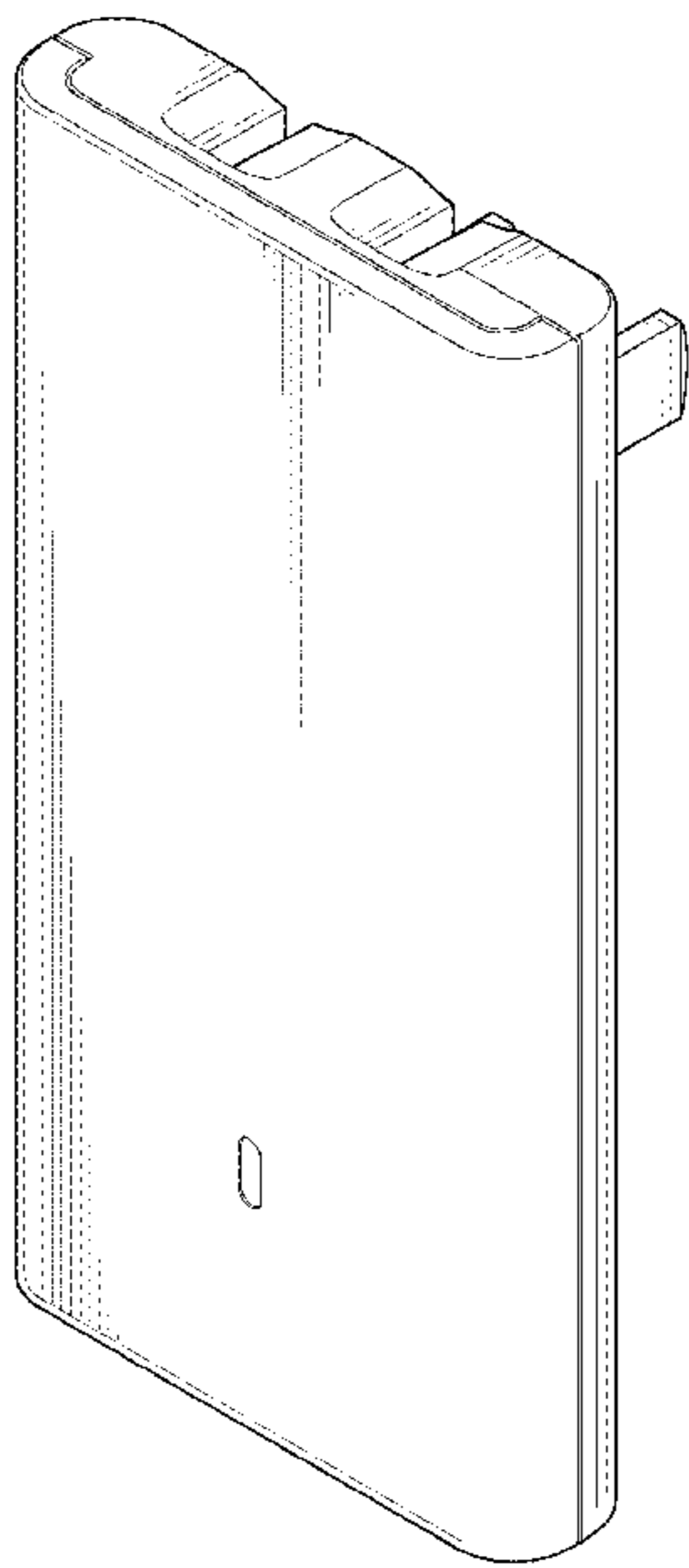
FIG. 7 is a bottom view thereof;

FIG. 8 is a rear perspective view thereof; and,

FIG. 9 is a rear perspective view thereof showing that power plug prongs are folded.

The broken lines are shown for illustrative purposes only and form no part of the claimed design.

1 Claim, 7 Drawing Sheets



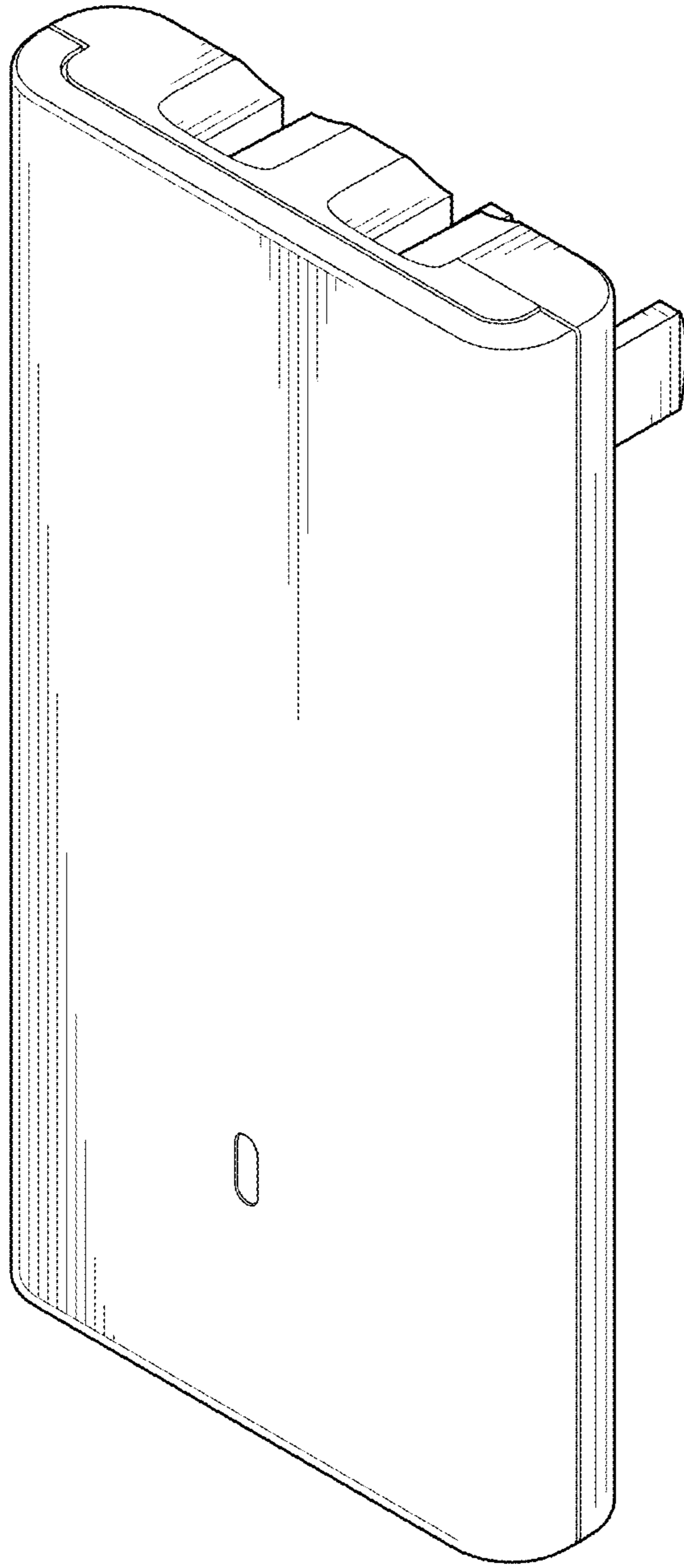


FIG. 1

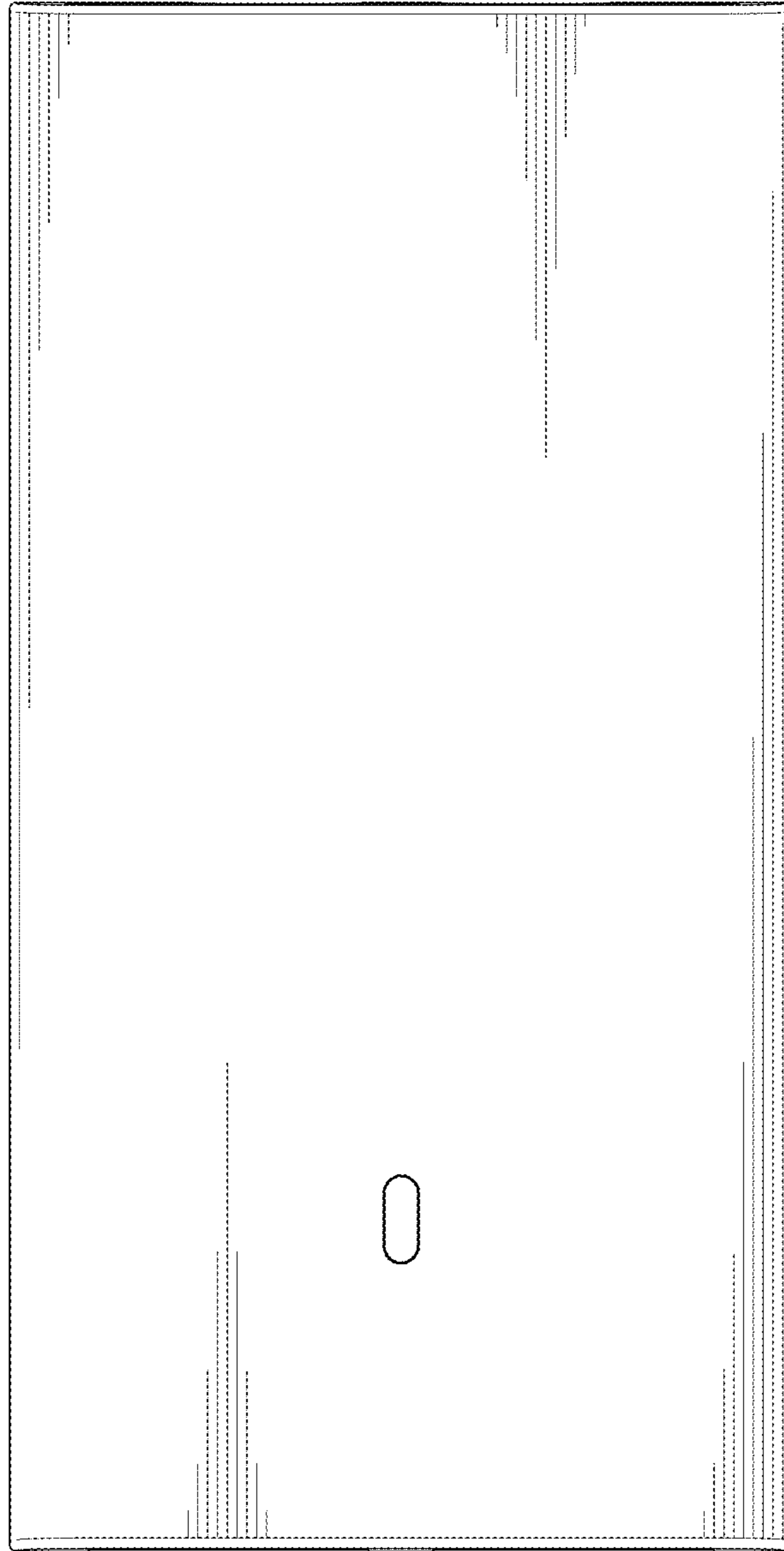


FIG. 2

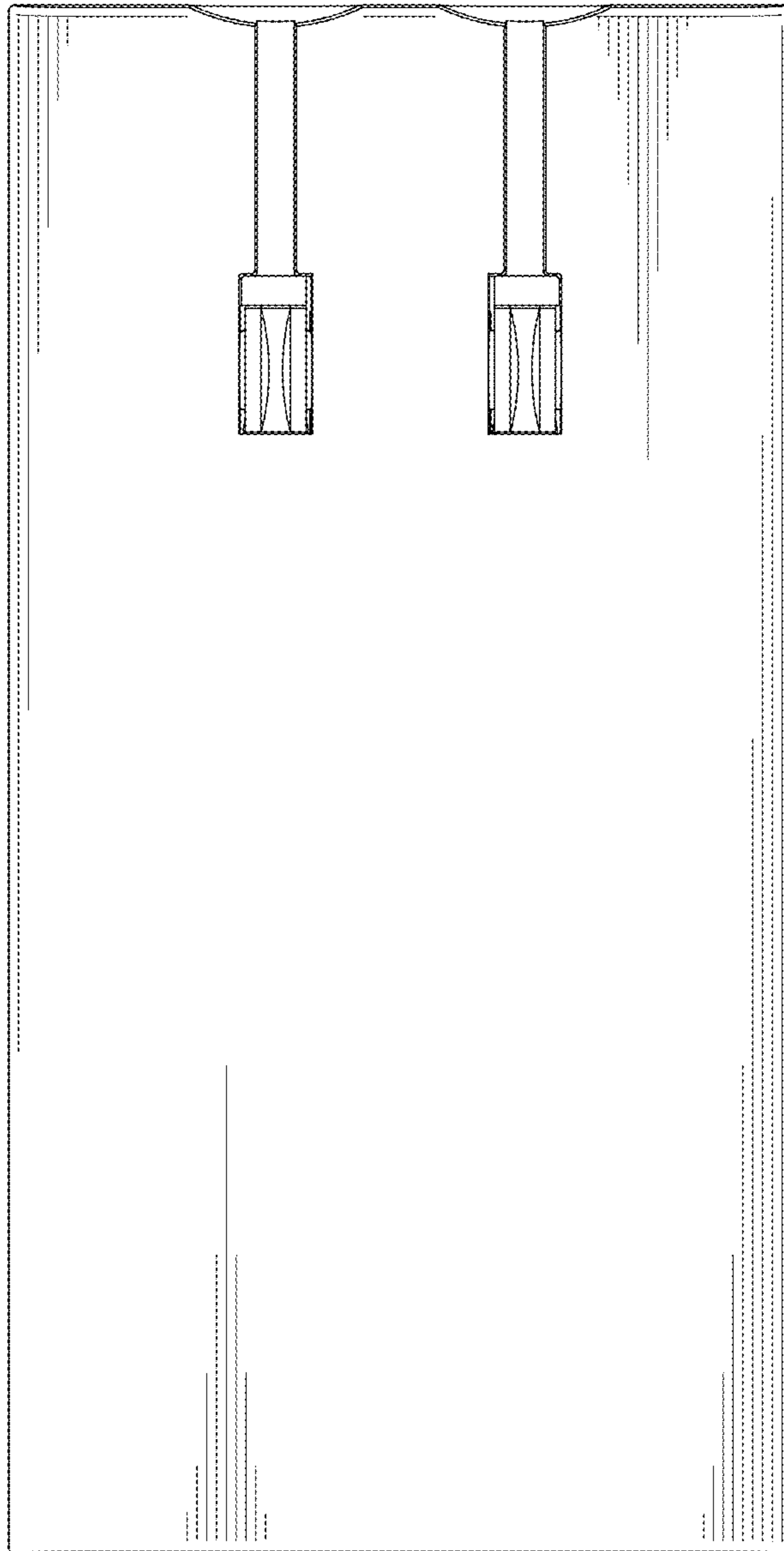


FIG. 3

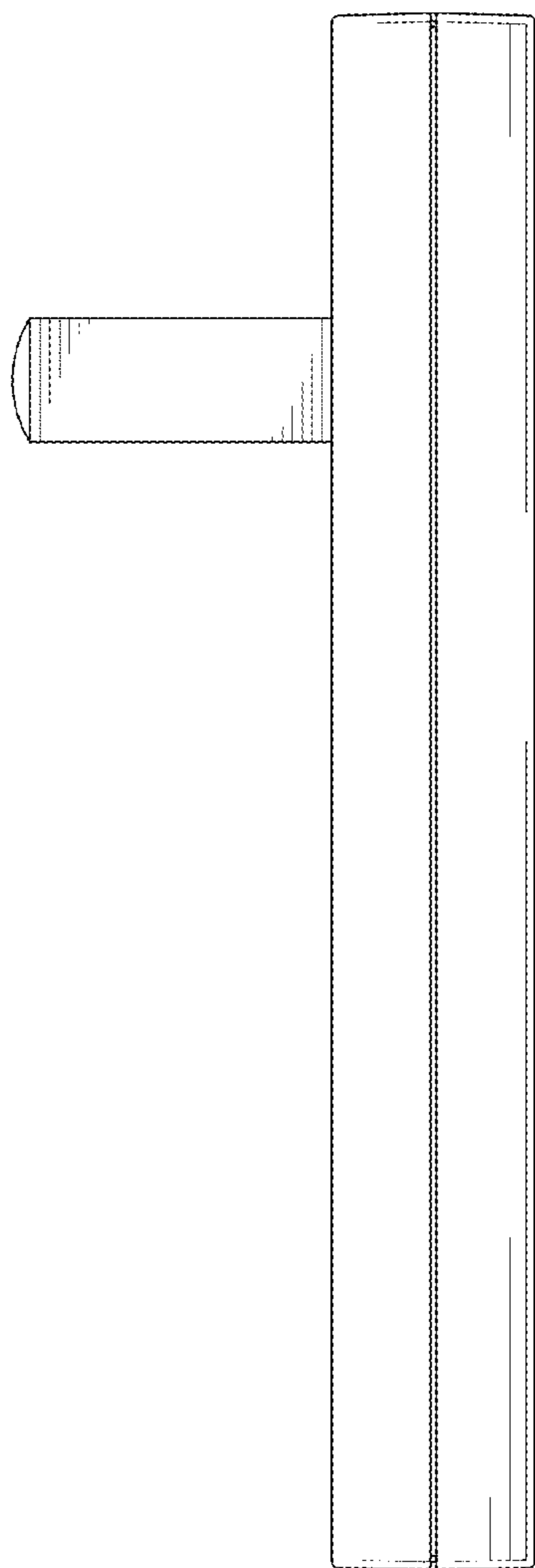


FIG. 4

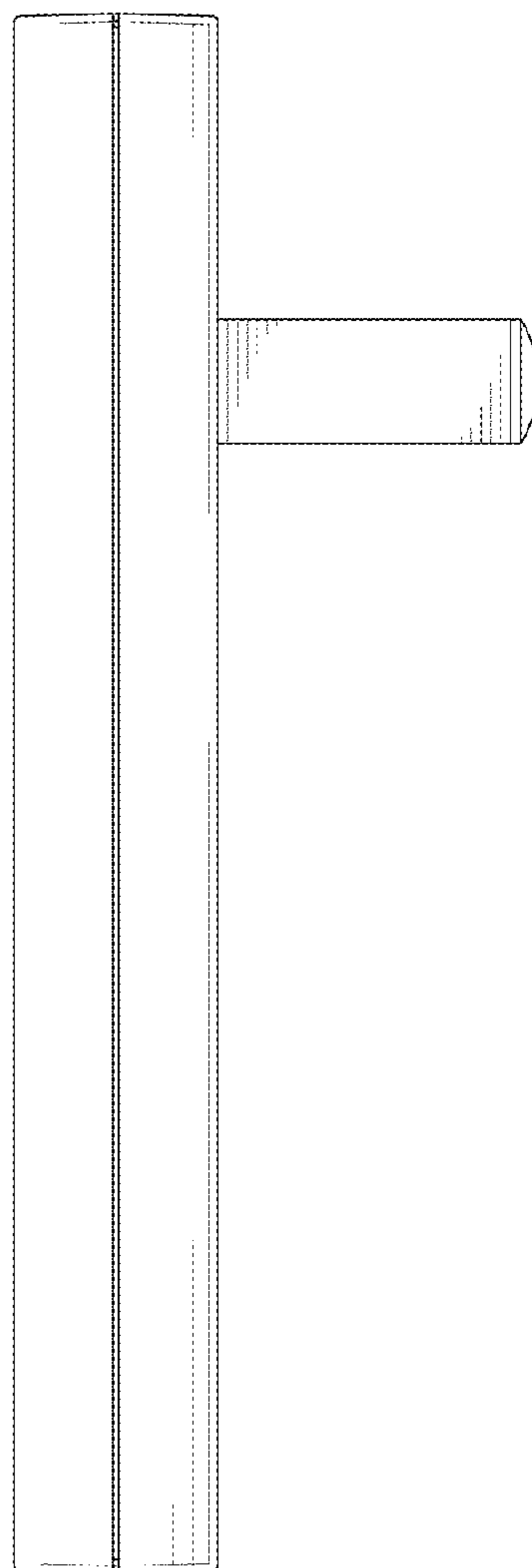


FIG. 5

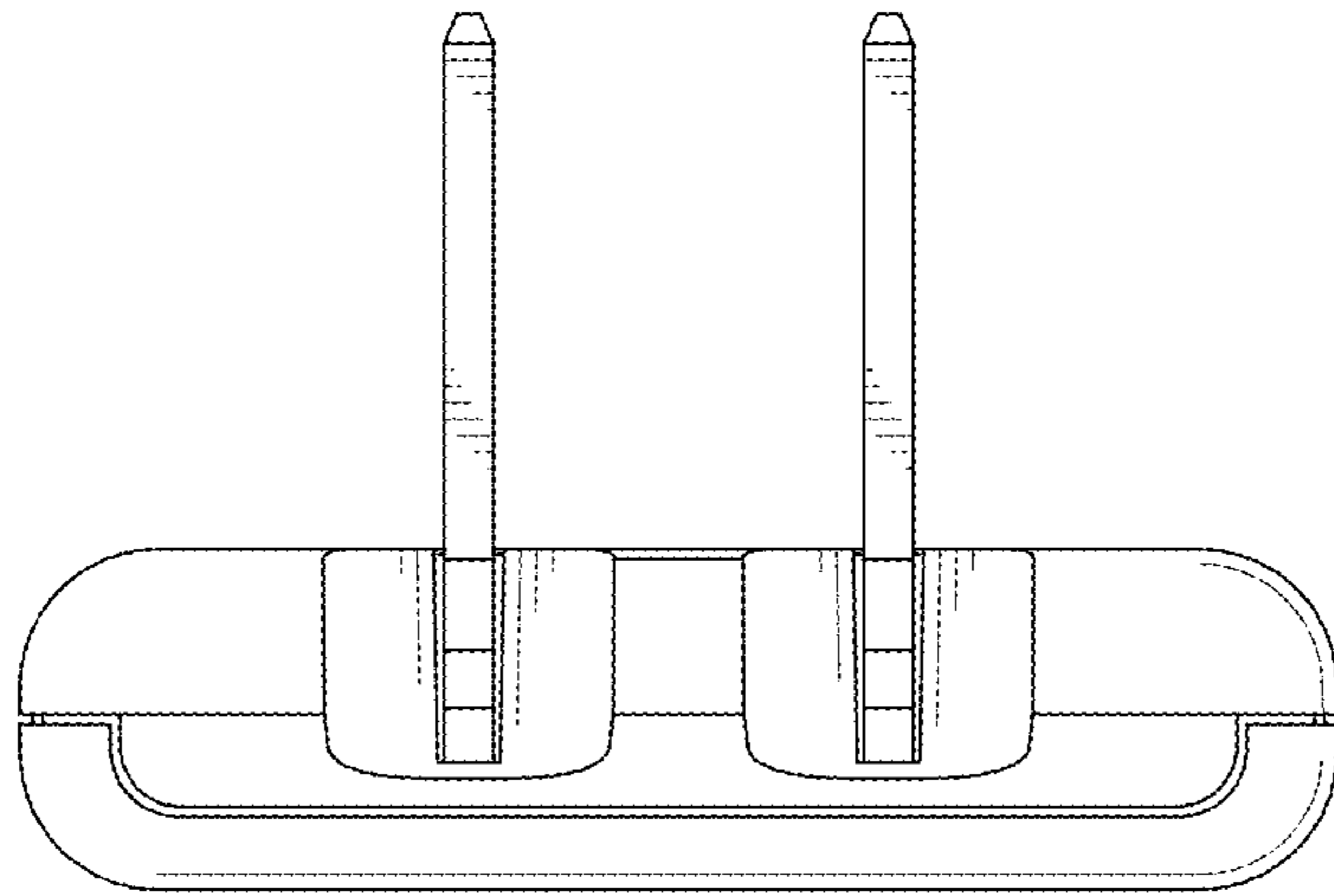


FIG. 6

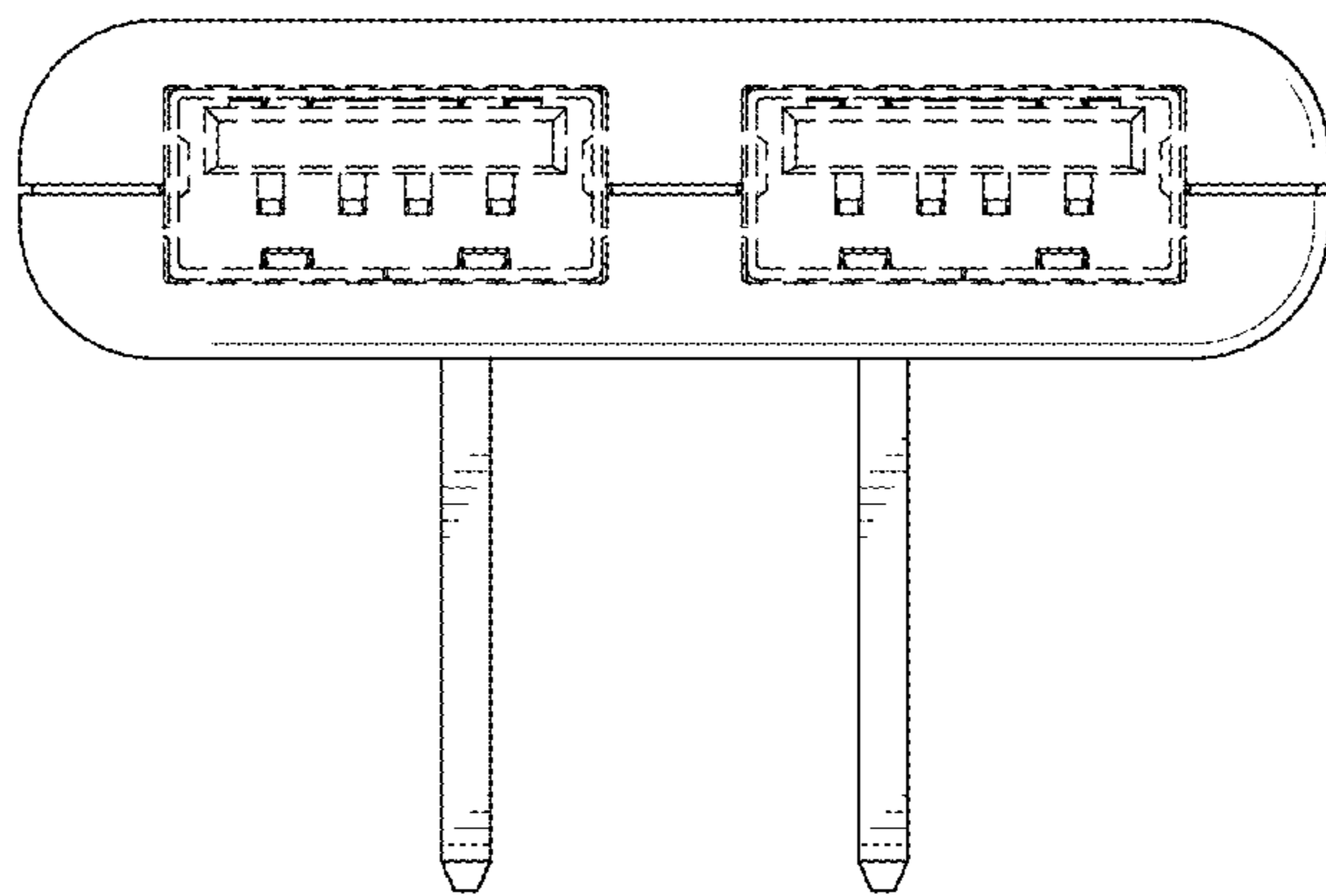


FIG. 7

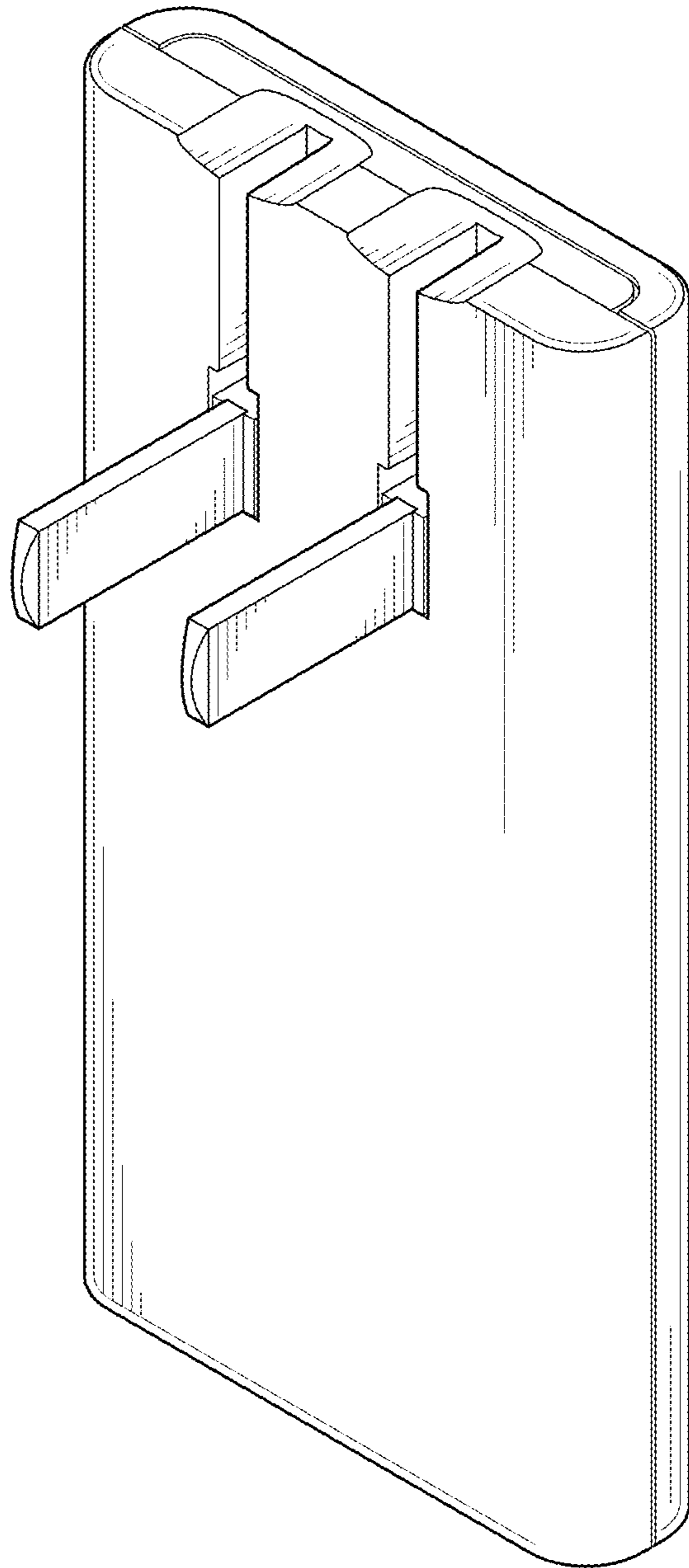


FIG. 8

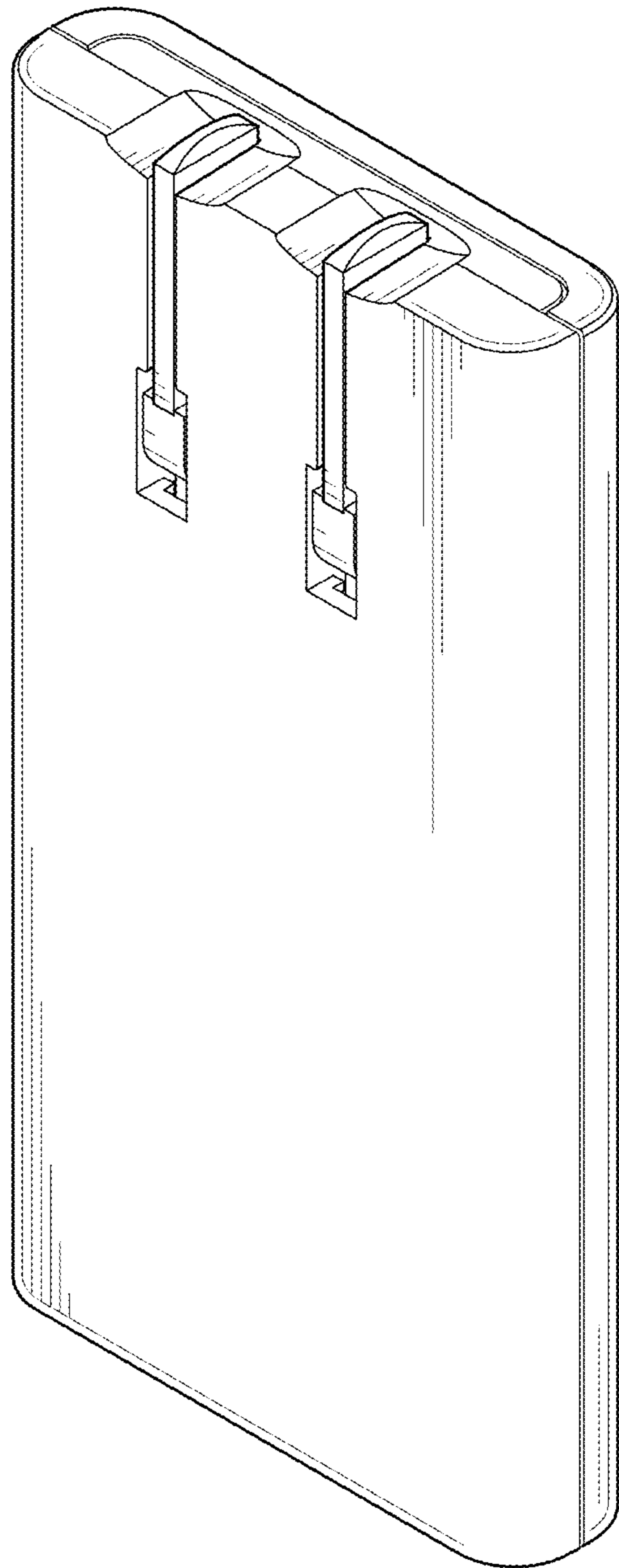


FIG. 9