



US00D731415S

(12) **United States Design Patent**
Arakelian et al.

(10) **Patent No.:** **US D731,415 S**
(45) **Date of Patent:** **** Jun. 9, 2015**

(54) **BATTERY CHARGER**

(71) Applicant: **ARK Corporation Pty Ltd**, Amdell Park (AU)

(72) Inventors: **Richard Arakelian**, Kenthurst (AU);
Andrew Reade, Castle Hill (AU)

(73) Assignee: **Ark Corporation Pty Ltd** (AU)

(**) Term: **14 Years**

(21) Appl. No.: **29/490,646**

(22) Filed: **May 12, 2014**

(51) **LOC (10) Cl.** **13-02**

(52) **U.S. Cl.**
USPC **D13/107**

(58) **Field of Classification Search**
USPC D13/107-110, 118-119, 184, 199;
D15/9; 320/103-115

CPC Y02E 60/12; Y02T 90/14; Y02T 90/122;
Y02T 90/128; Y02T 90/163; Y02T 10/7005;
Y02T 10/705; Y02T 10/7088; H02J 7/025;
H02J 7/0034; H02J 7/0042; H02J 7/0044;
H02J 7/0045; H02J 7/0054; H02J 7/1423;
H02J 7/0003; H02J 2001/006; H01F 38/14;
H01R 13/6675; H01M 2/1022; H01M 2/1055;
H01M 10/44; H01M 46/425; B60L 11/182

See application file for complete search history.

(56) **References Cited**

U.S. PATENT DOCUMENTS

D423,452 S *	4/2000	Fujisawa et al.	D13/110
D433,993 S *	11/2000	Tang	D13/110
D494,541 S *	8/2004	Hriscu et al.	D13/110
D664,501 S *	7/2012	Inskeep	D13/107
D676,808 S *	2/2013	Zhou	D13/108
D682,779 S *	5/2013	Magnusson	D13/107
D687,769 S *	8/2013	Rodbro	D13/107
D697,472 S *	1/2014	Lai	D13/107

* cited by examiner

Primary Examiner — Rosemary K Tarcza

(74) *Attorney, Agent, or Firm* — Colin P. Cahoon; Carstens & Cahoon, LLP

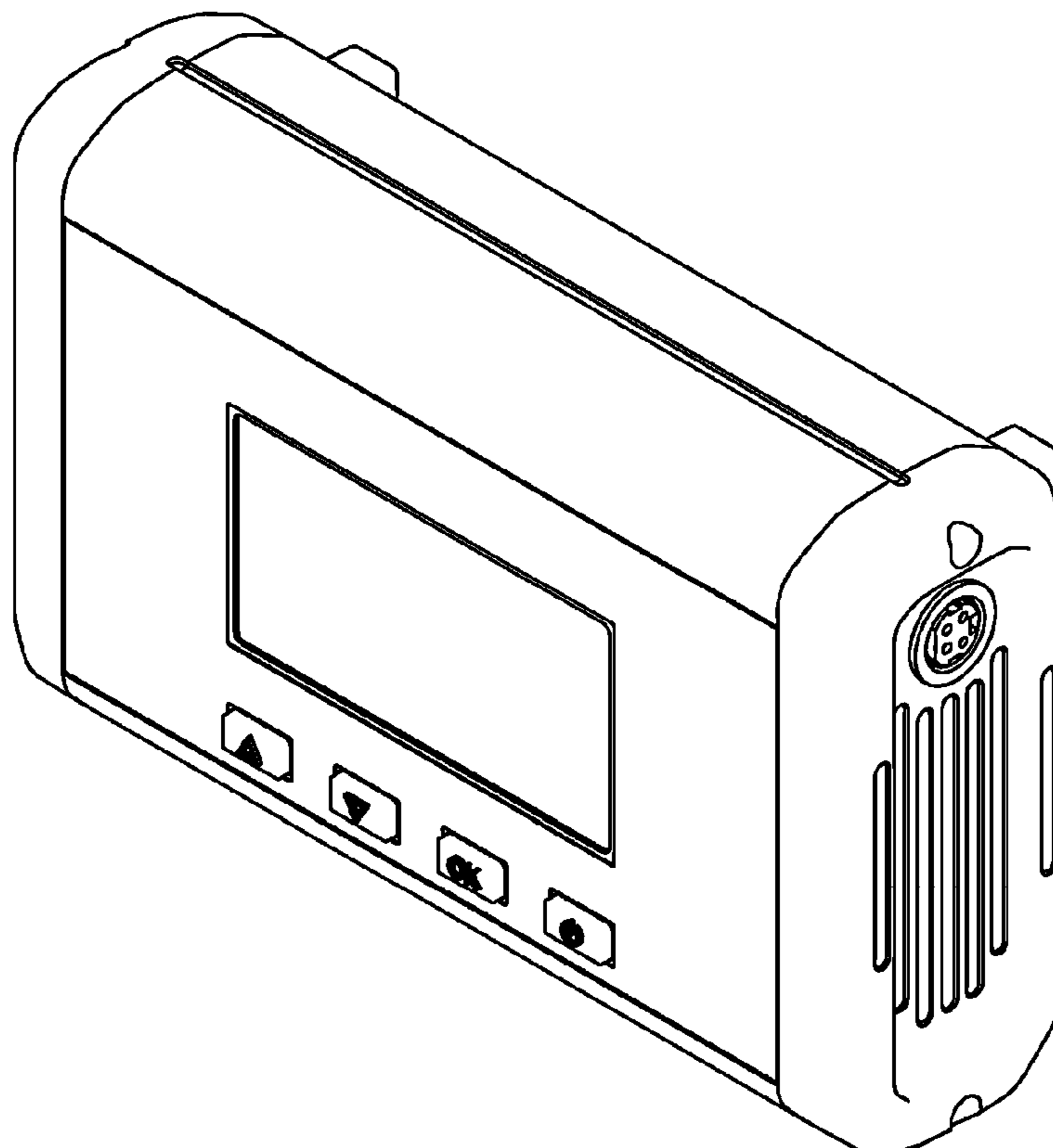
(57) **CLAIM**

The ornamental design for a battery charger, as shown and described.

DESCRIPTION

FIG. 1 is a top view of the battery charger;
FIG. 2 is a rear view of the present invention;
FIG. 3 is a front view of the present invention;
FIG. 4 is a left side view of the present invention, the right side view being a mirror image of the left side view;
FIG. 5 is a perspective view of the present invention; and,
FIG. 6 is a bottom view of the present invention.

1 Claim, 6 Drawing Sheets



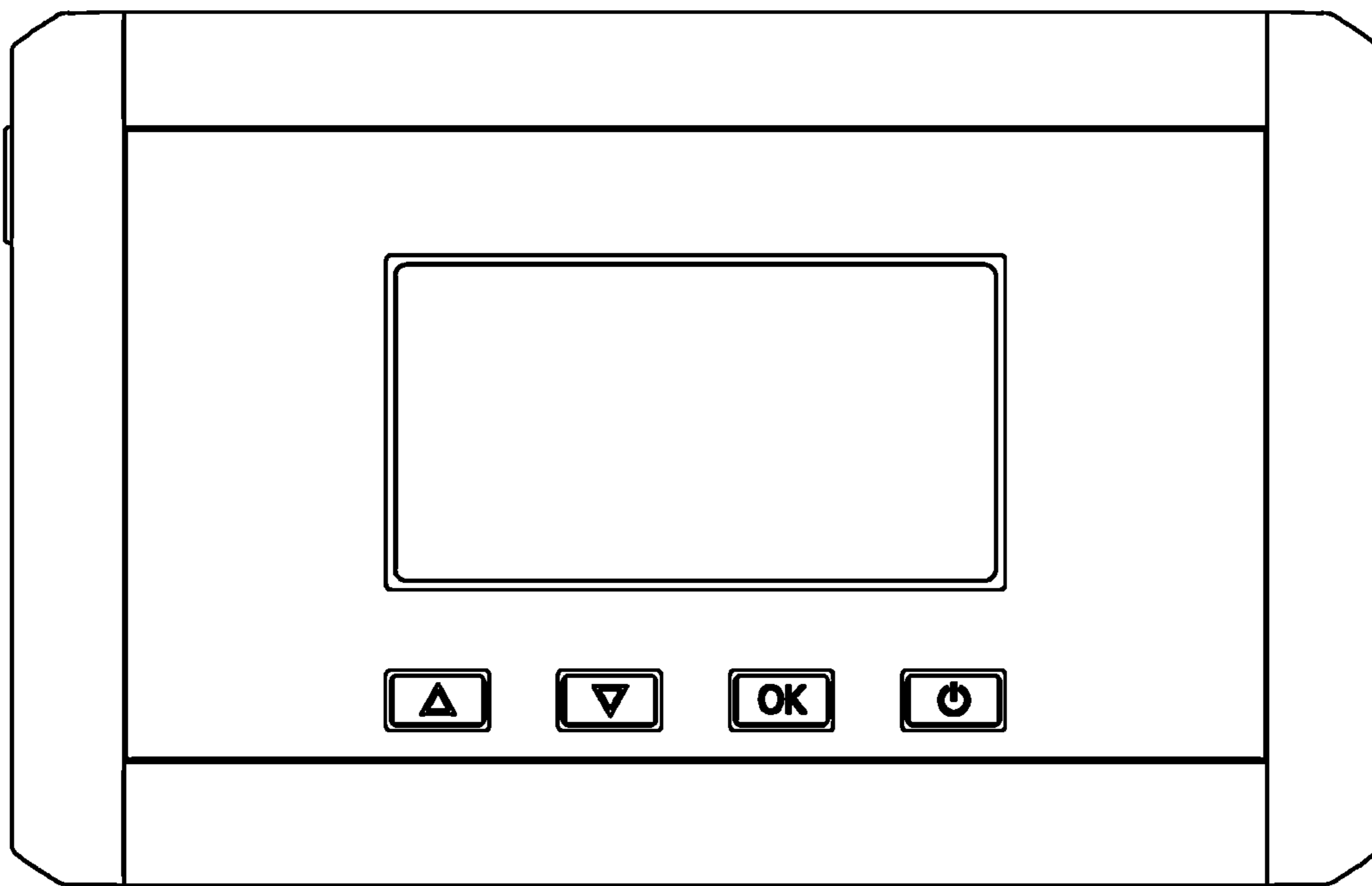


Figure 1

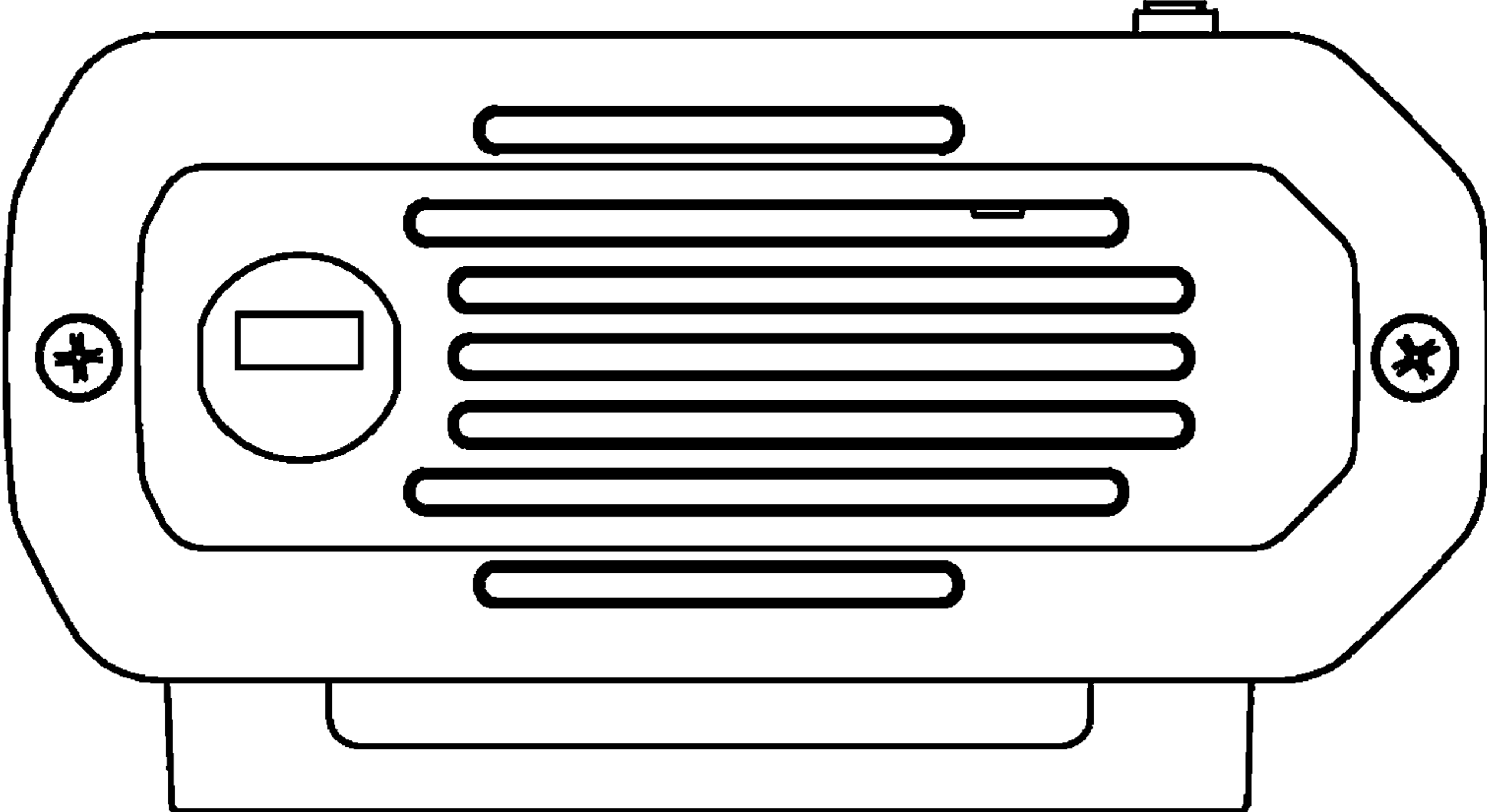


Figure 2

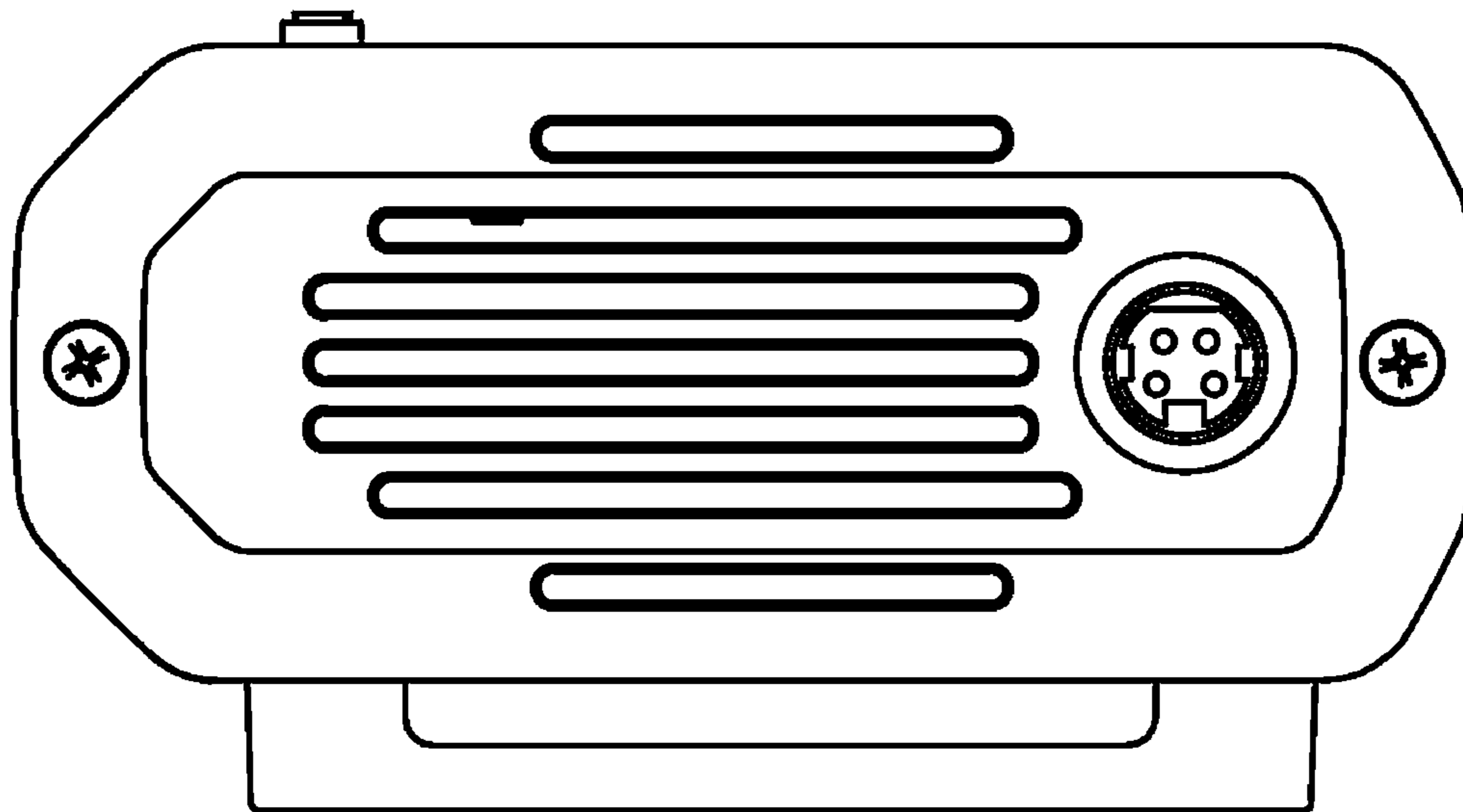


Figure 3

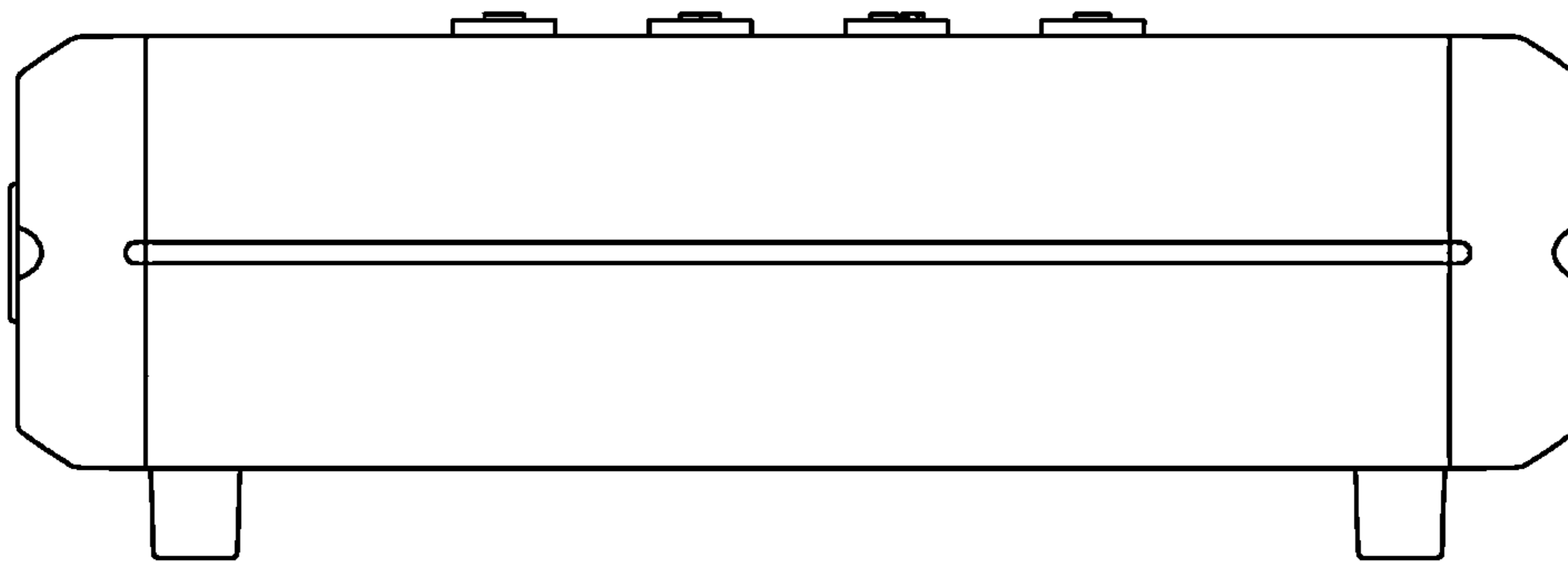


Figure 4

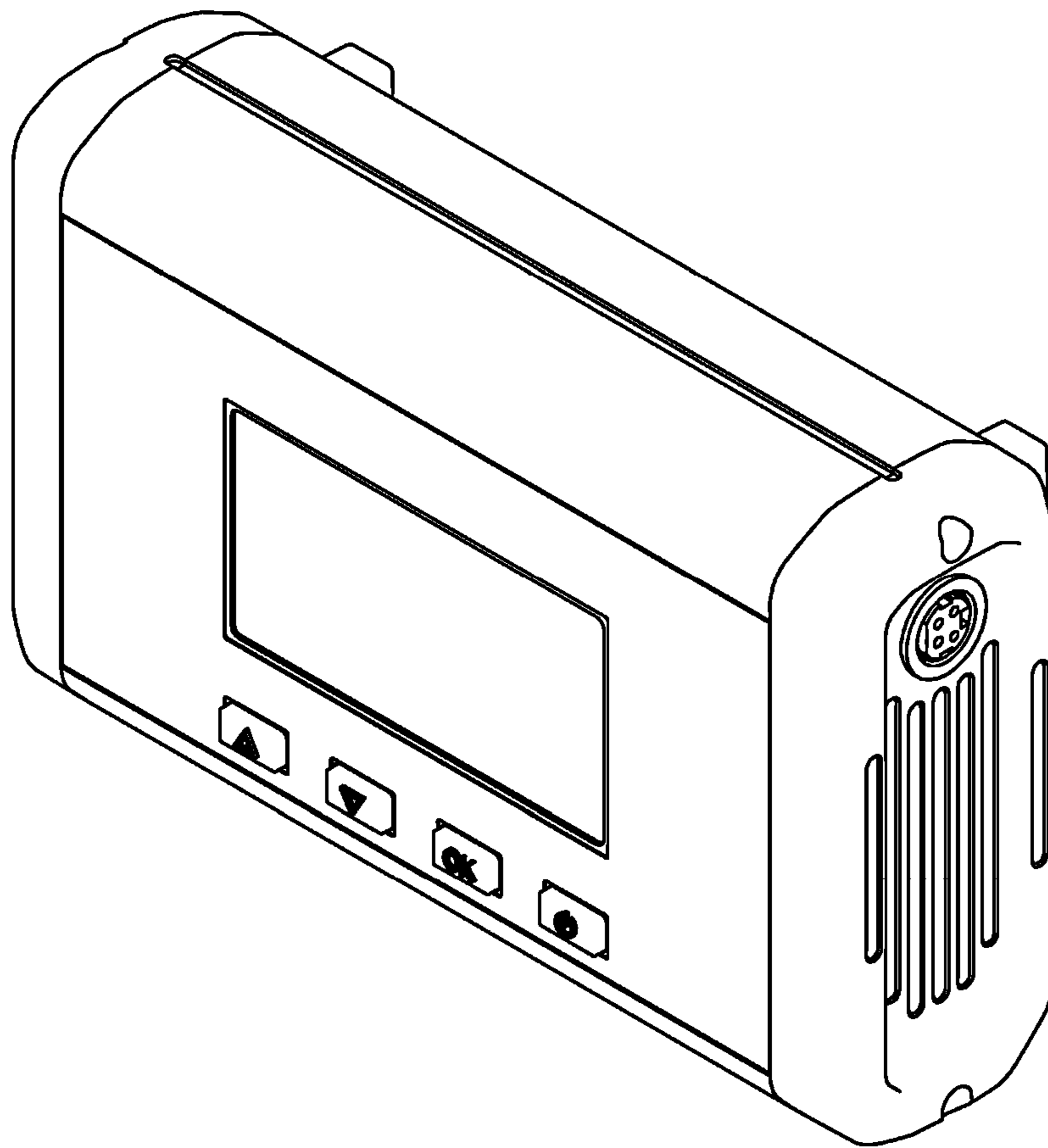


Figure 5

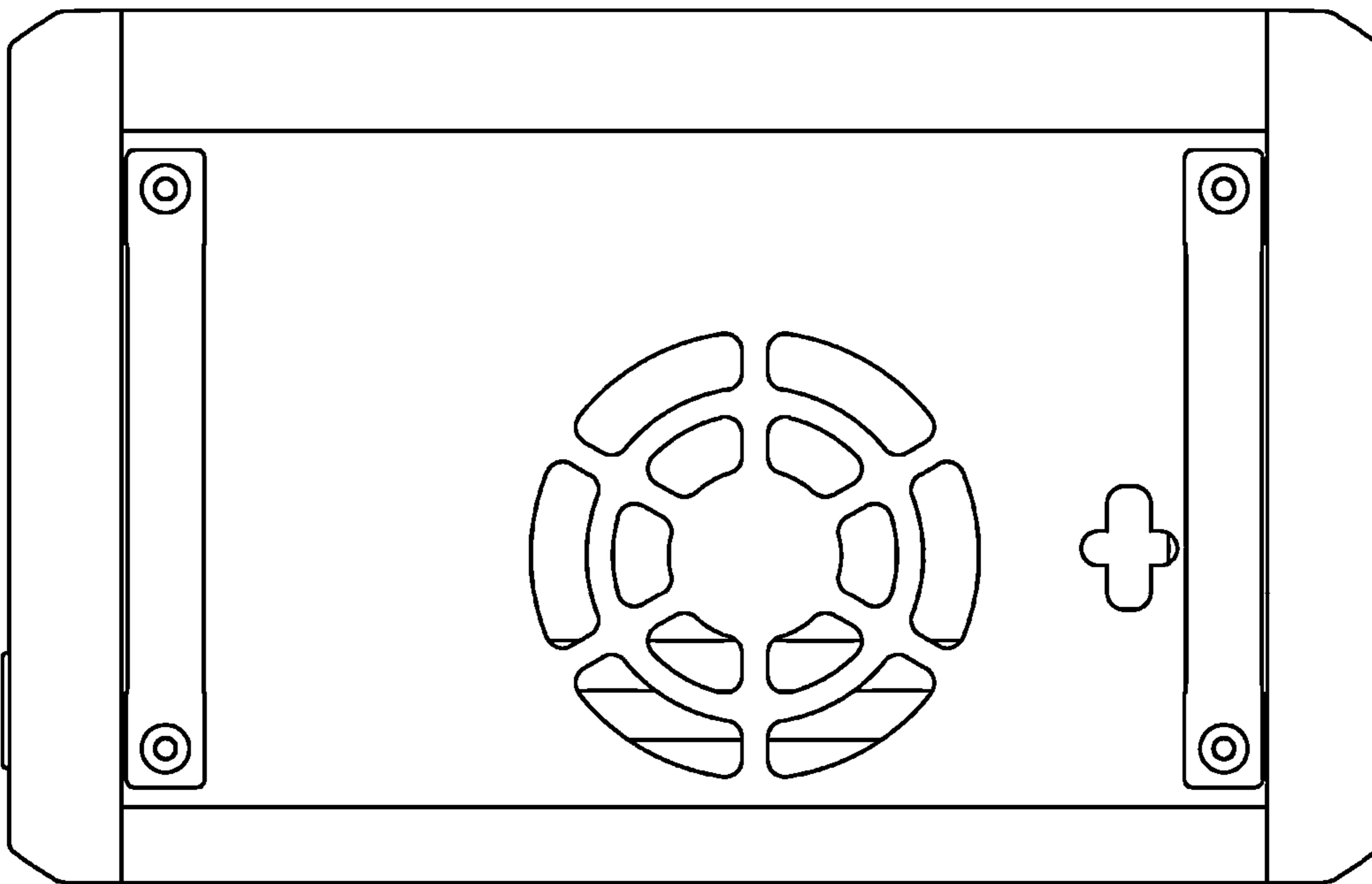


Figure 6