



US00D731408S

(12) **United States Design Patent**
Ko

(10) **Patent No.:** **US D731,408 S**
(45) **Date of Patent:** **** Jun. 9, 2015**

(54) **GROUND MOUNT SOLAR PANEL**

Primary Examiner — Derrick Holland

(71) Applicant: **Gordon Ko**, Phillips Ranch, CA (US)

(72) Inventor: **Gordon Ko**, Phillips Ranch, CA (US)

(**) Term: **14 Years**

(21) Appl. No.: **29/440,316**

(22) Filed: **Dec. 20, 2012**

(51) **LOC (10) Cl.** **13-02**

(52) **U.S. Cl.**
USPC **D13/102**

(58) **Field of Classification Search**
USPC D13/102, 101, 118, 177, 184, 199;
D6/300, 301, 302, 308, 310; D25/60,
D25/136; 52/173.3; 126/569, 704; 136/243,
136/244, 246, 247, 251, 252, 256, 258;
438/64
CPC H01L 31/0504; H01L 31/0508; H01L
31/0512; H01L 31/0516; H01L 31/0232;
H01L 31/052; H01L 31/05; H01L 31/048;
H01L 21/00; Y02E 10/50; Y02E 10/52;
G02F 1/1533; G02F 1/163
See application file for complete search history.

(56) **References Cited**

U.S. PATENT DOCUMENTS

D261,030	S	*	9/1981	King	D13/102
4,542,258	A	*	9/1985	Francis et al.	136/256
D353,129	S	*	12/1994	Ricaud et al.	D13/102
D391,921	S	*	3/1998	Zimmer et al.	D13/102
6,093,581	A	*	7/2000	Takabayashi	438/64
6,433,913	B1	*	8/2002	Bauer et al.	359/265
7,435,134	B2	*	10/2008	Lenox	439/567
D616,359	S	*	5/2010	Adriani	D13/102
8,063,299	B2	*	11/2011	Haga	136/246
2005/0103376	A1	*	5/2005	Matsushita et al.	136/251

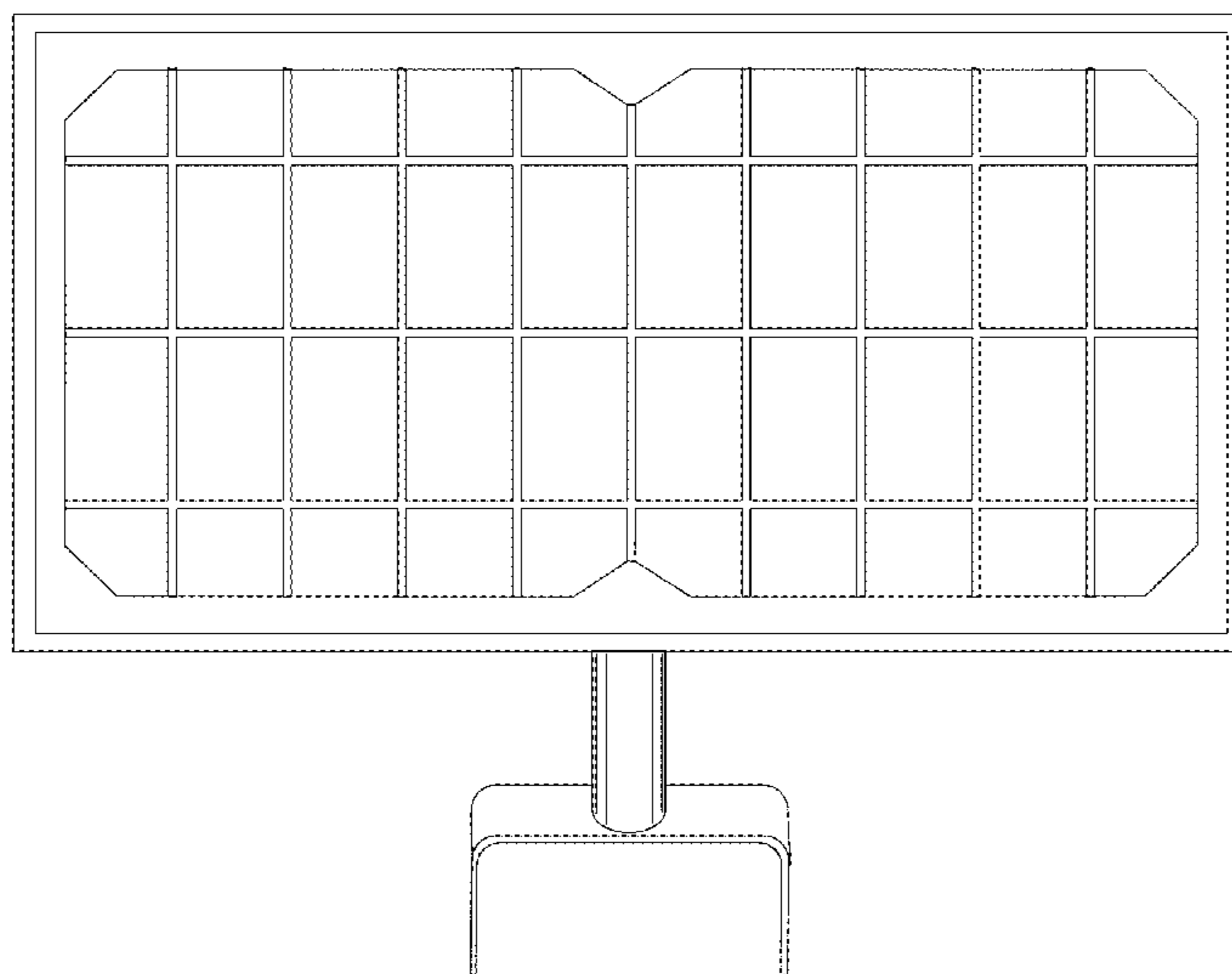
* cited by examiner

(57) **CLAIM**
The ornamental design for a ground mount solar panel, as shown and described.

DESCRIPTION

FIG. 1 is a front view of a ground mount solar panel showing my new design separated from the assembly for ease of illustration.
FIG. 2 is a rear view thereof.
FIG. 3 is a bottom view thereof.
FIG. 4 is a top view thereof.
FIG. 5 is a left view thereof.
FIG. 6 is a right view thereof.
FIG. 7 is a front view of the cylindrical support shown separated for ease of illustration, the rear, right and left views being a mirror image.
FIG. 8 is a top view thereof, the bottom view being a mirror image.
FIG. 9 is a front view of the dual ground stake component shown separated for ease of illustration, the rear view being a mirror image.
FIG. 10 is a right view thereof, the left view being a mirror image.
FIG. 11 is a top view thereof.
FIG. 12 is a bottom view thereof.
FIG. 13 is a front view of a ground mount solar panel showing my new design in an assembled condition.
FIG. 14 is a rear view thereof.
FIG. 15 is a right view thereof.
FIG. 16 is a left view thereof.
FIG. 17 is a top view thereof; and,
FIG. 18 is a bottom view thereof.

1 Claim, 7 Drawing Sheets



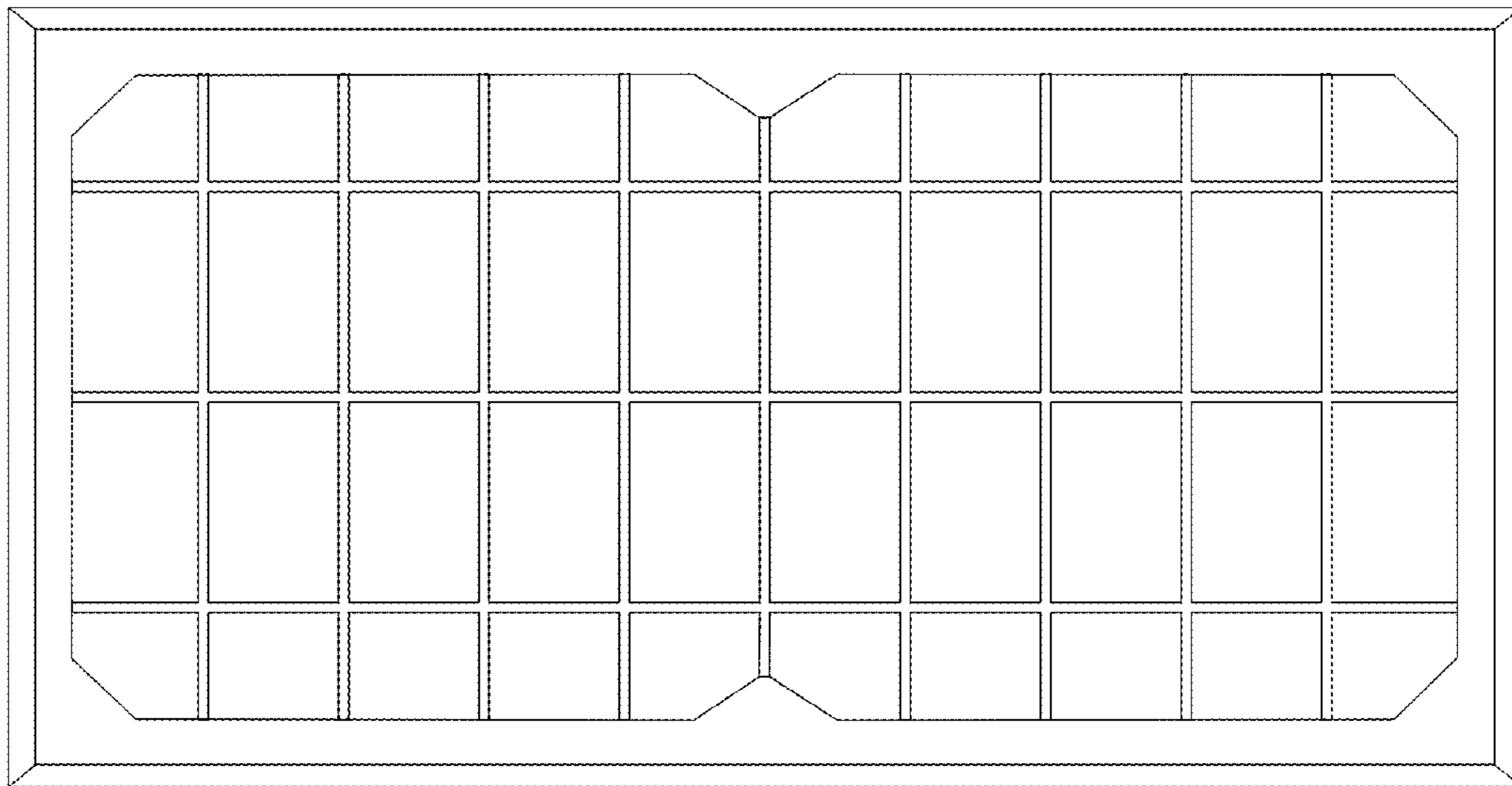


FIG. 1

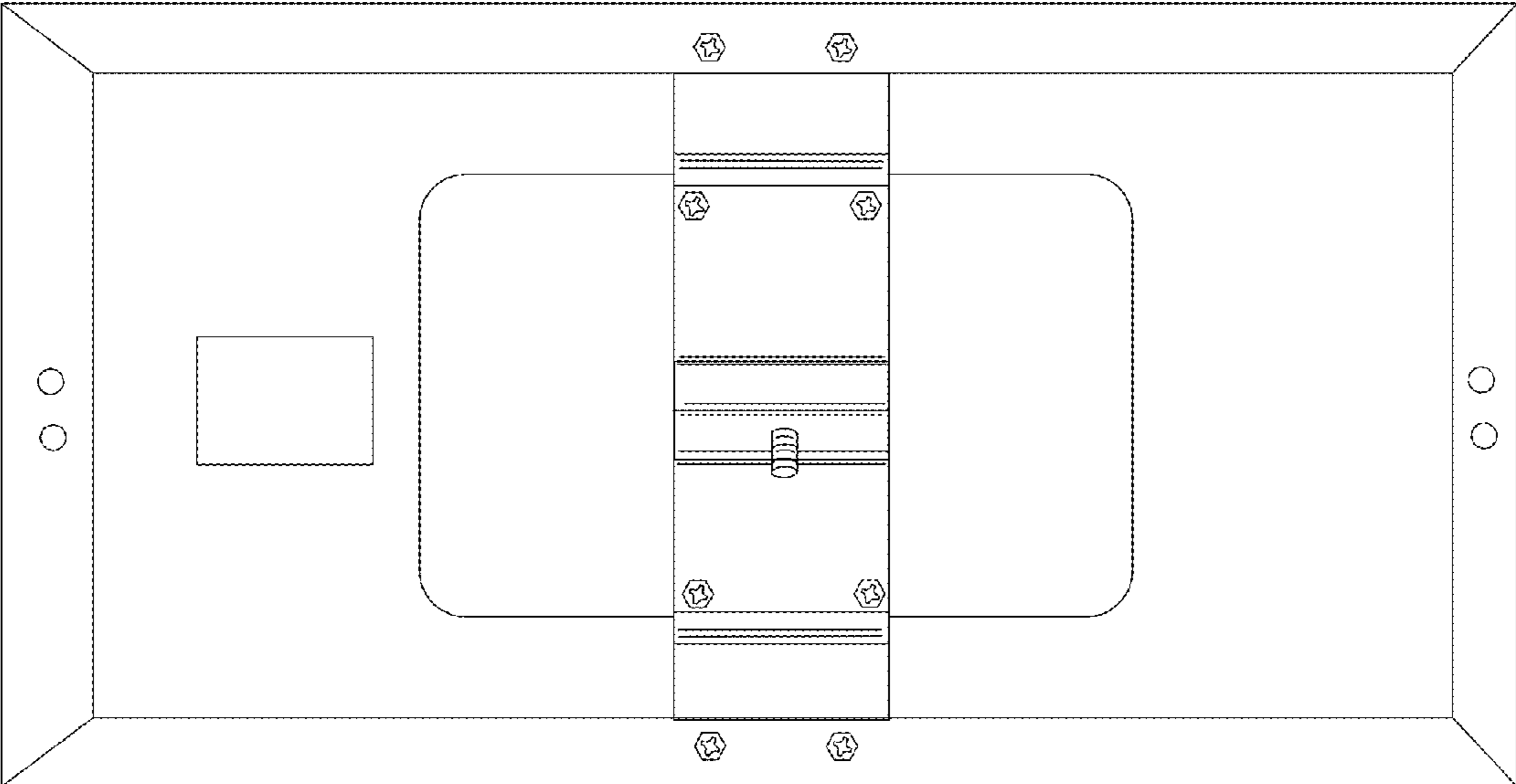


FIG. 2

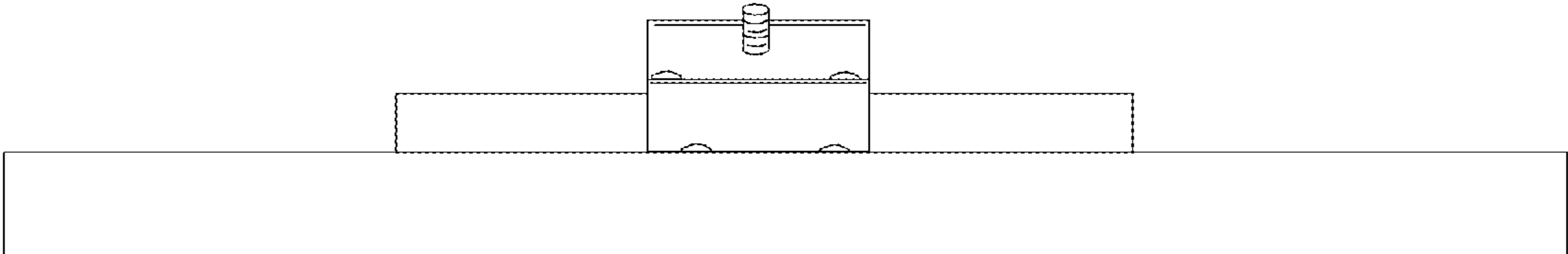


FIG. 3

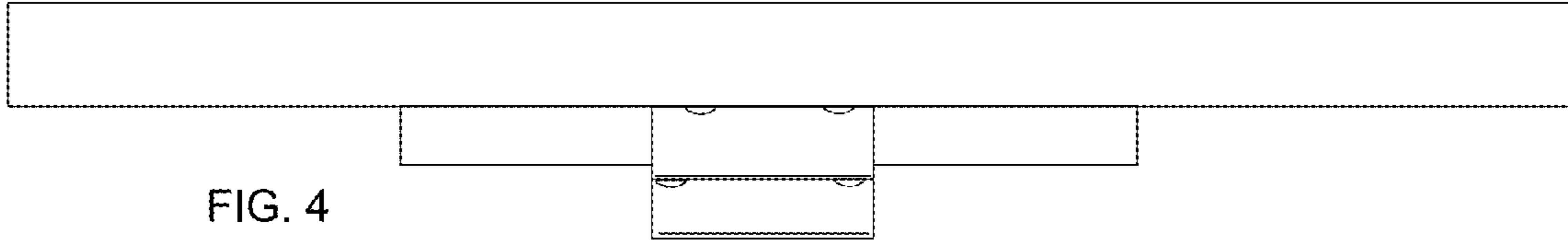


FIG. 4

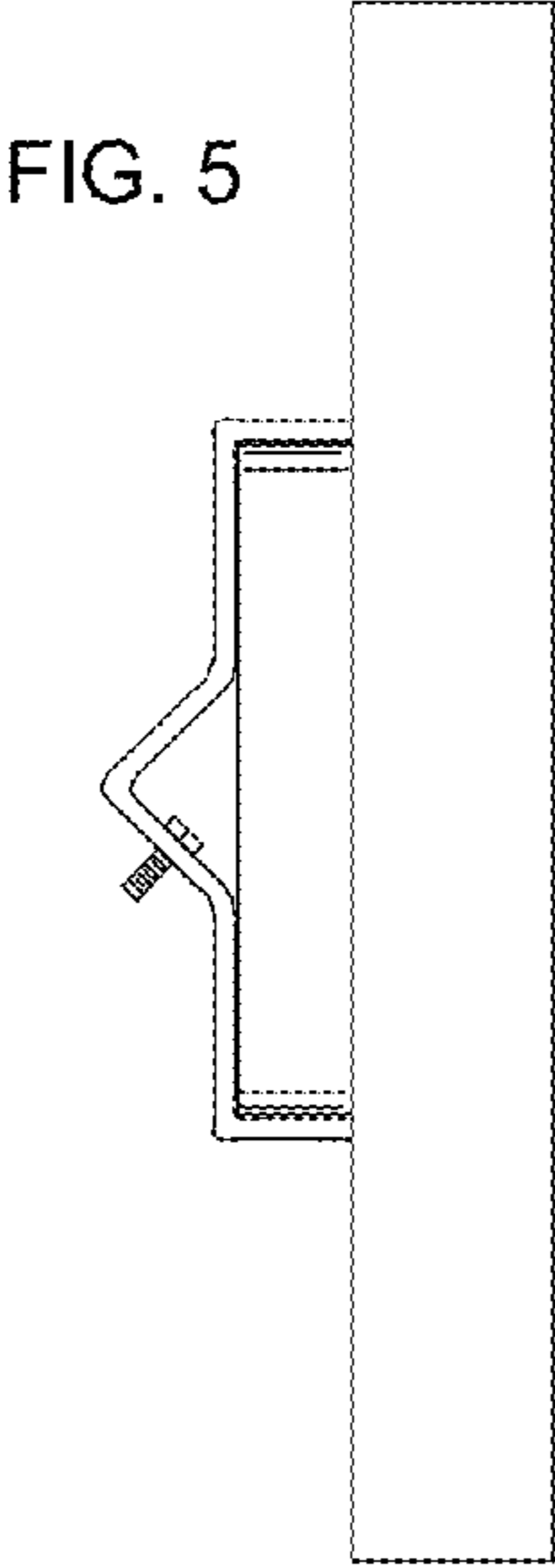


FIG. 5

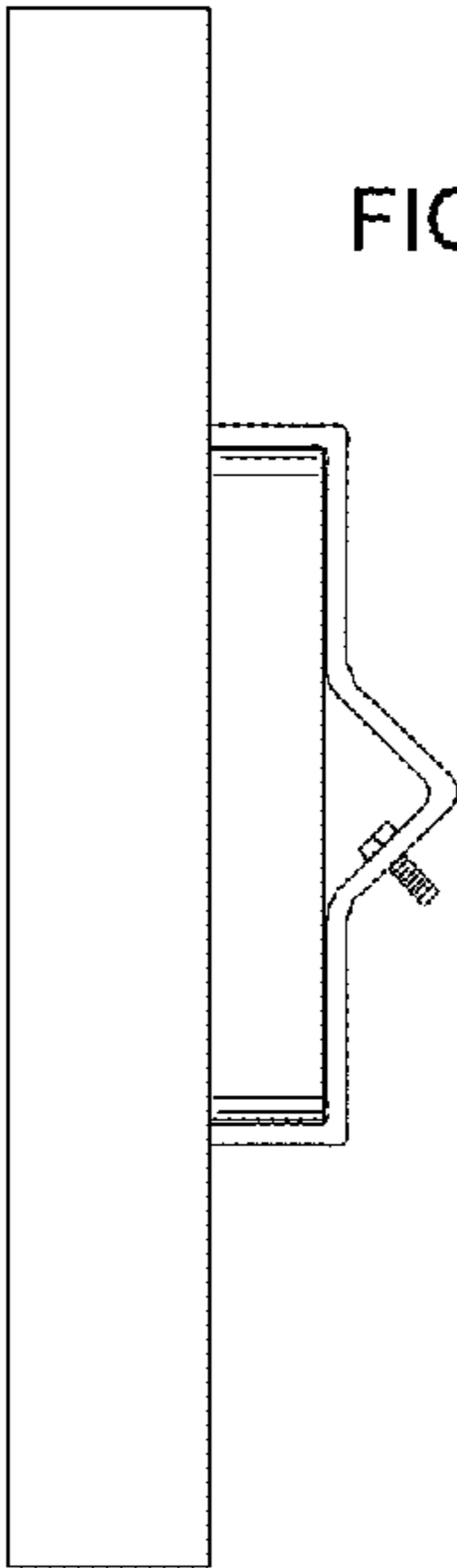
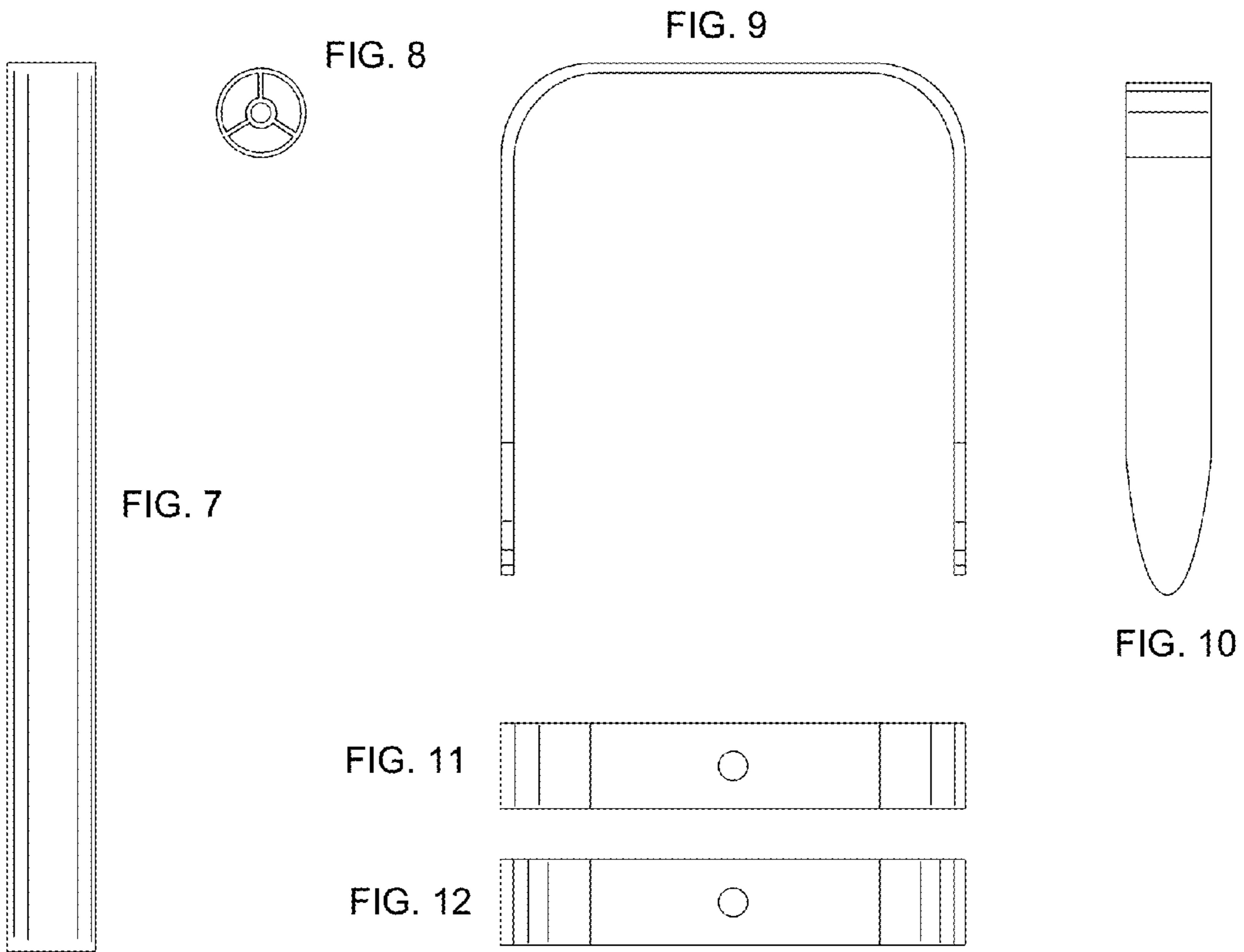
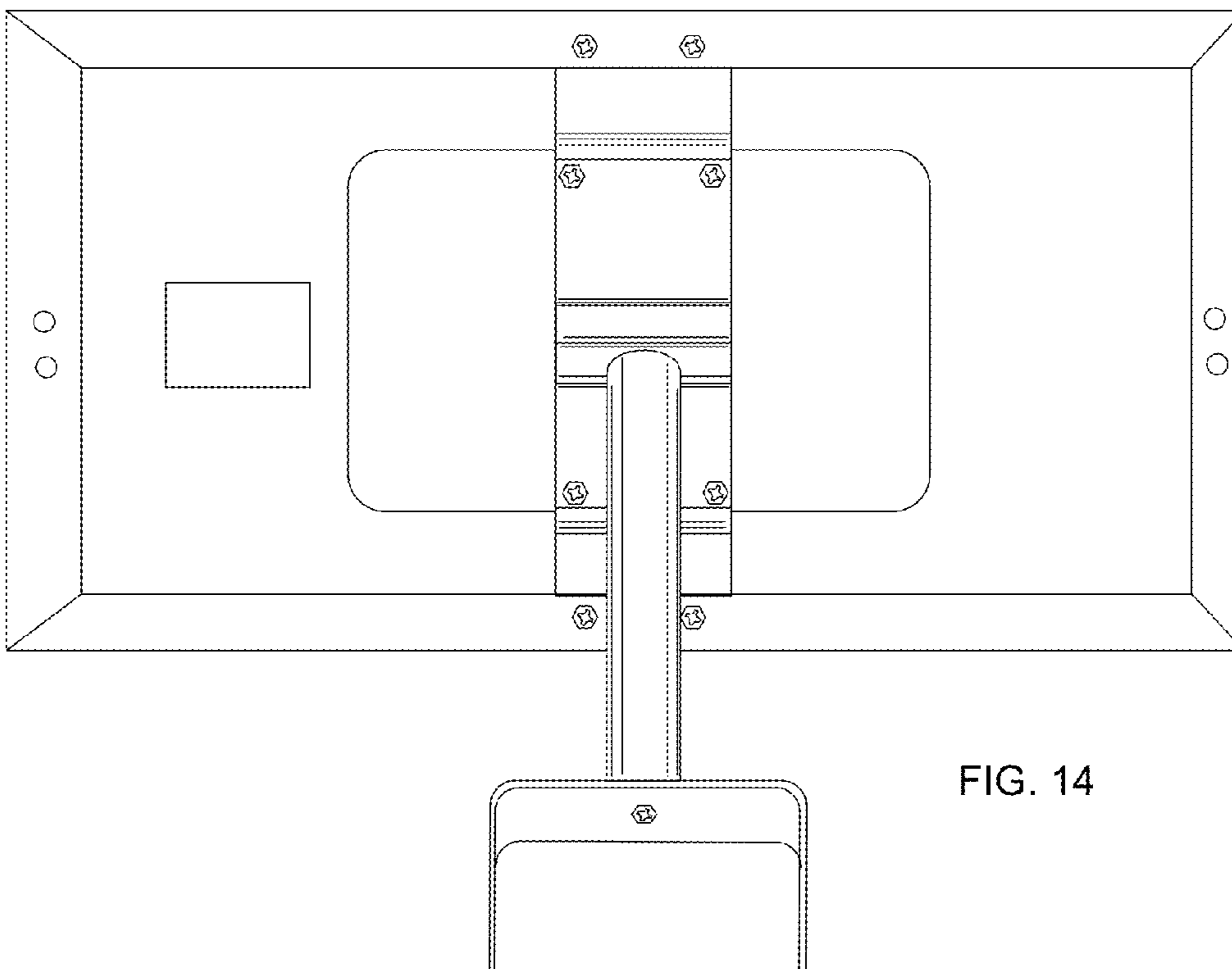
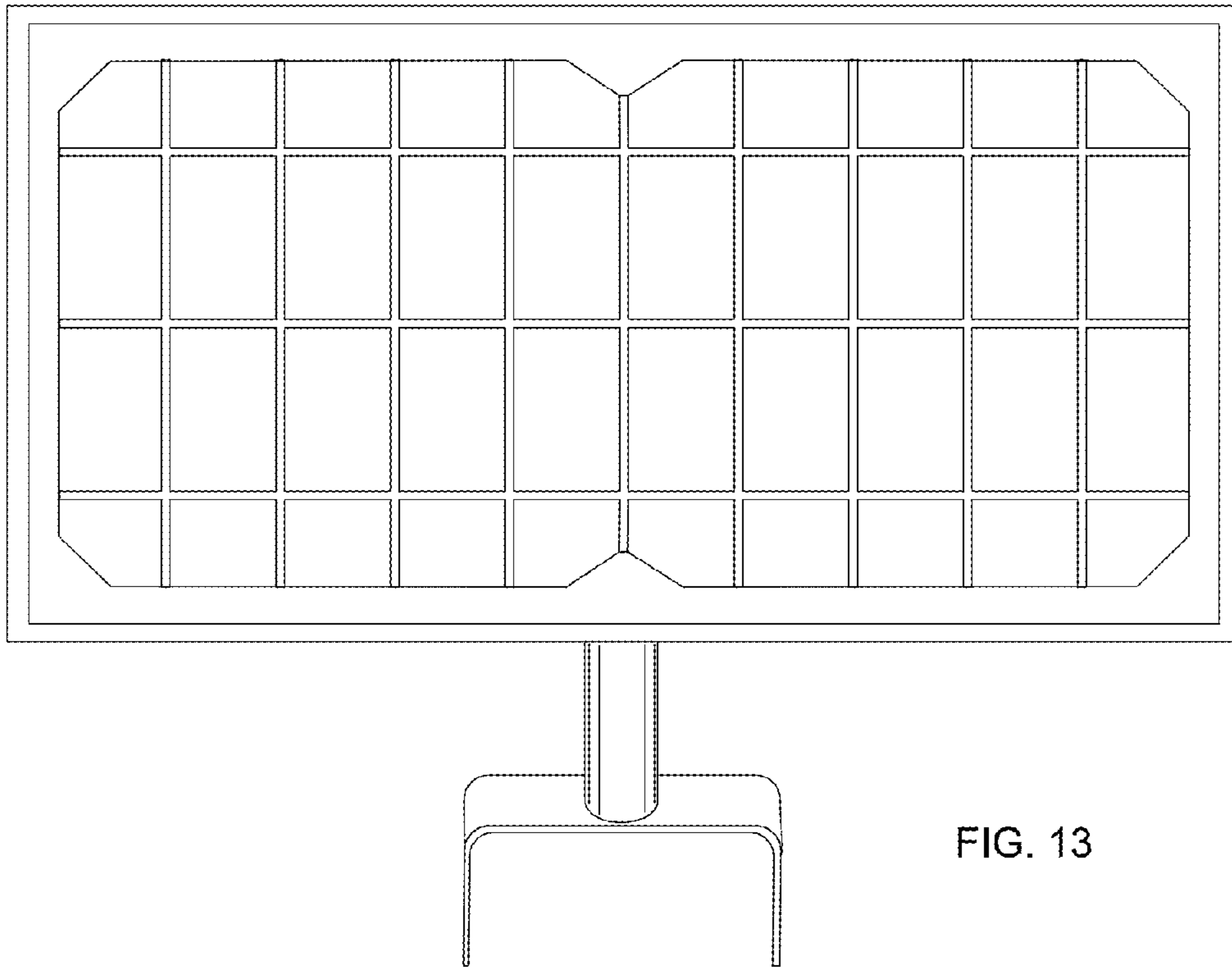


FIG. 6





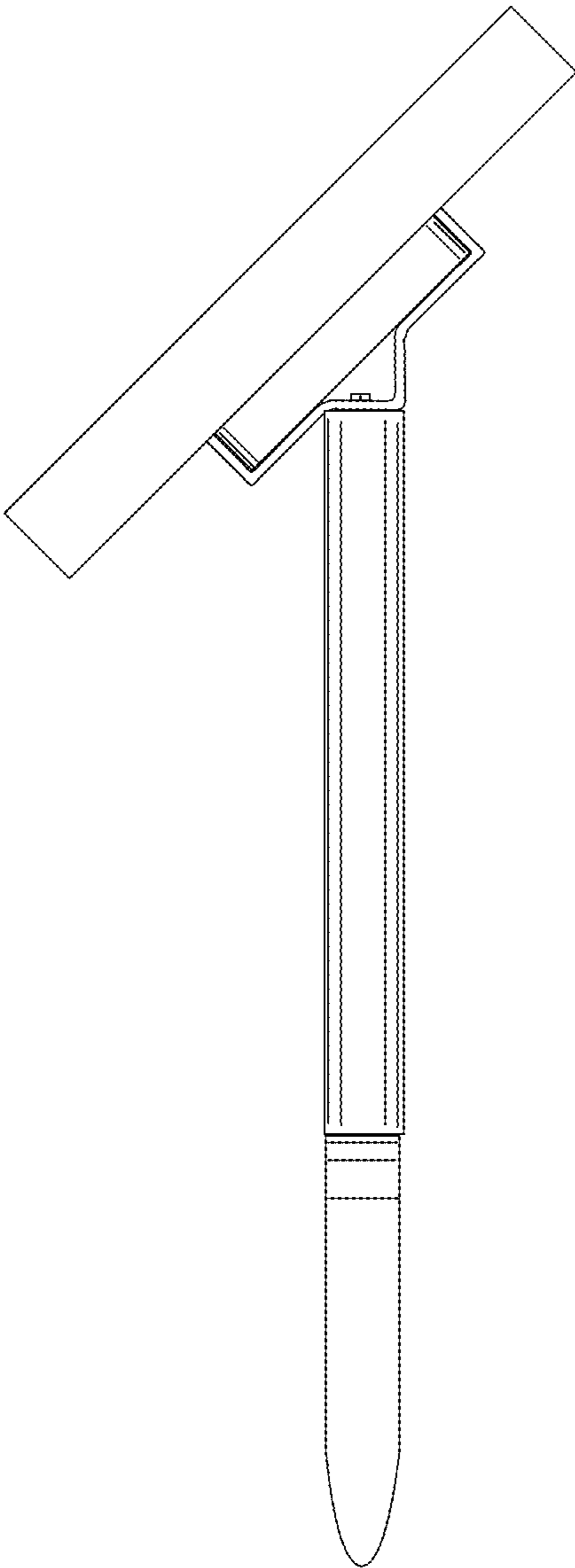


FIG. 15

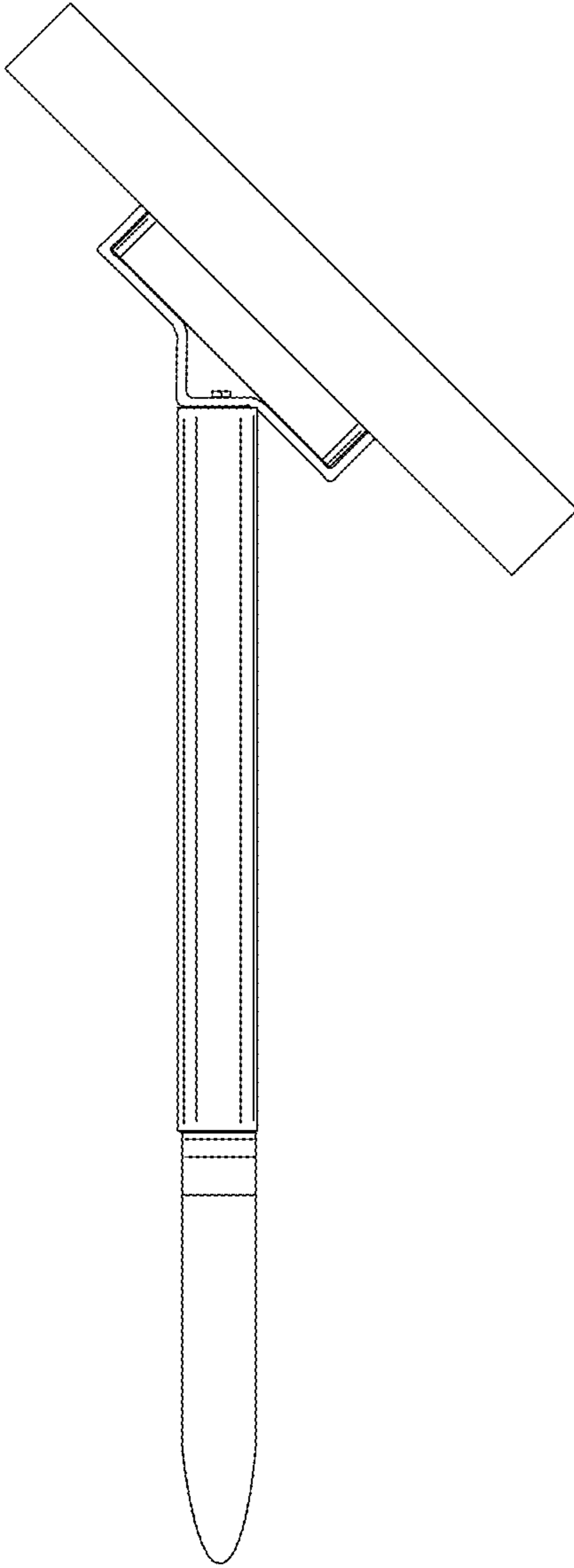


FIG. 16

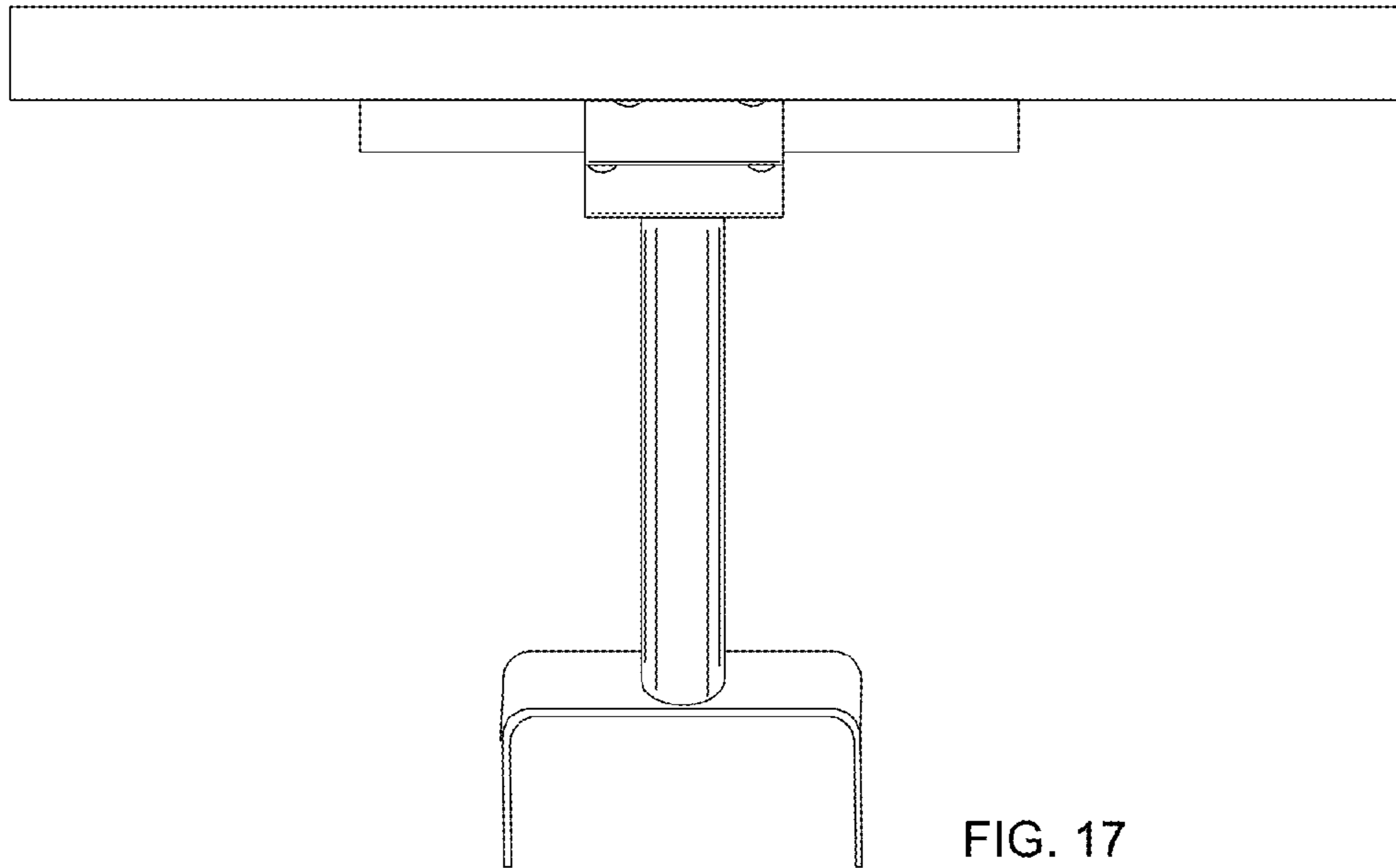


FIG. 17

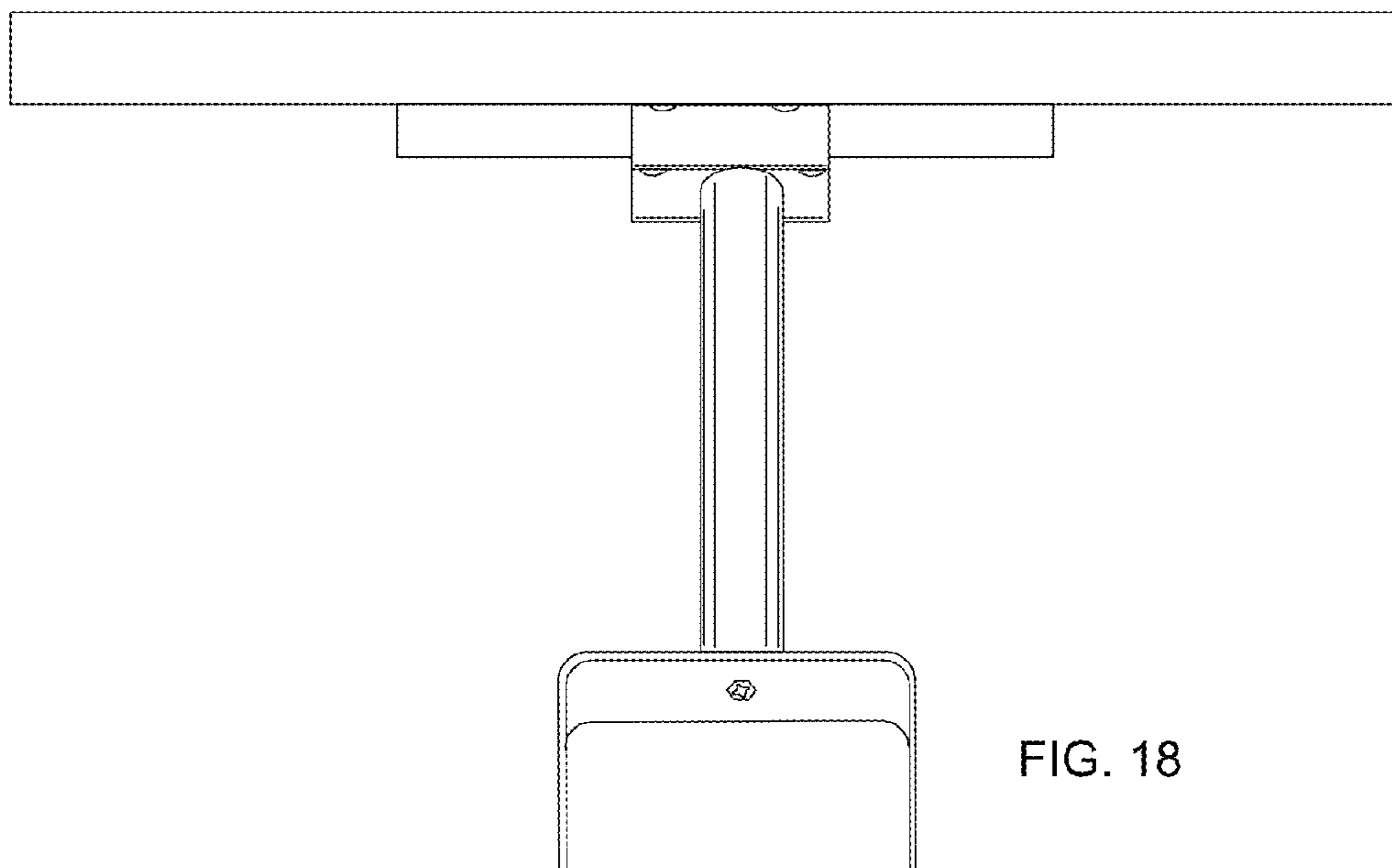


FIG. 18