



US00D731406S

(12) **United States Design Patent**
Yamaguchi

(10) **Patent No.:** **US D731,406 S**

(45) **Date of Patent:** **** Jun. 9, 2015**

(54) **AUTOMOBILE TIRE**

(71) Applicant: **THE YOKOHAMA RUBBER CO., LTD.**, Minato-ku, Tokyo (JP)

(72) Inventor: **Yukihito Yamaguchi**, Hiratsuka (JP)

(73) Assignee: **THE YOKOHAMA RUBBER CO., LTD.**, Minato-ku, Tokyo (JP)

(**) Term: **14 Years**

(21) Appl. No.: **29/510,335**

(22) Filed: **Nov. 26, 2014**

(30) **Foreign Application Priority Data**

May 29, 2014 (JP) 2014-011507

(51) **LOC (10) Cl.** **12-15**

(52) **U.S. Cl.**
USPC **D12/600**

(58) **Field of Classification Search**
USPC D12/568-603; 152/209.1-209.28
CPC B60C 1/00
See application file for complete search history.

(56) **References Cited**

U.S. PATENT DOCUMENTS

D371,097 S *	6/1996	Fukushima	D12/600
D412,302 S *	7/1999	Rayman et al.	D12/579
D420,630 S *	2/2000	De Coninck et al.	D12/600
D444,109 S	6/2001	De Coninck et al.		
D444,432 S	7/2001	Warchol		
D456,766 S	5/2002	Warchol et al.		
D457,128 S	5/2002	Robert et al.		
D458,895 S	6/2002	Rayman		
D462,655 S	9/2002	Zurita		
D464,933 S	10/2002	Welbes		
D475,343 S	6/2003	Motta et al.		
D481,990 S	11/2003	Hanna		

(Continued)

FOREIGN PATENT DOCUMENTS

BR DI5600054-5 11/1997
BR DI5601527-5 3/1998

(Continued)

OTHER PUBLICATIONS

Nov. 4, 2014—(JP) Notification of Reasons for Refusal—App 2014-011507—Eng Tran.

(Continued)

Primary Examiner — George D Kirschbaum

(74) *Attorney, Agent, or Firm* — Banner & Witcoff, Ltd.

(57) **CLAIM**

The ornamental design for an automobile tire, as shown and described.

DESCRIPTION

FIG. 1 is a perspective view of an automobile tire showing my new design;

FIG. 2 is a front view thereof;

FIG. 3 is a rear view thereof;

FIG. 4 is a left side view thereof;

FIG. 5 is a right side view thereof;

FIG. 6 is a top view thereof;

FIG. 7 is a bottom view thereof;

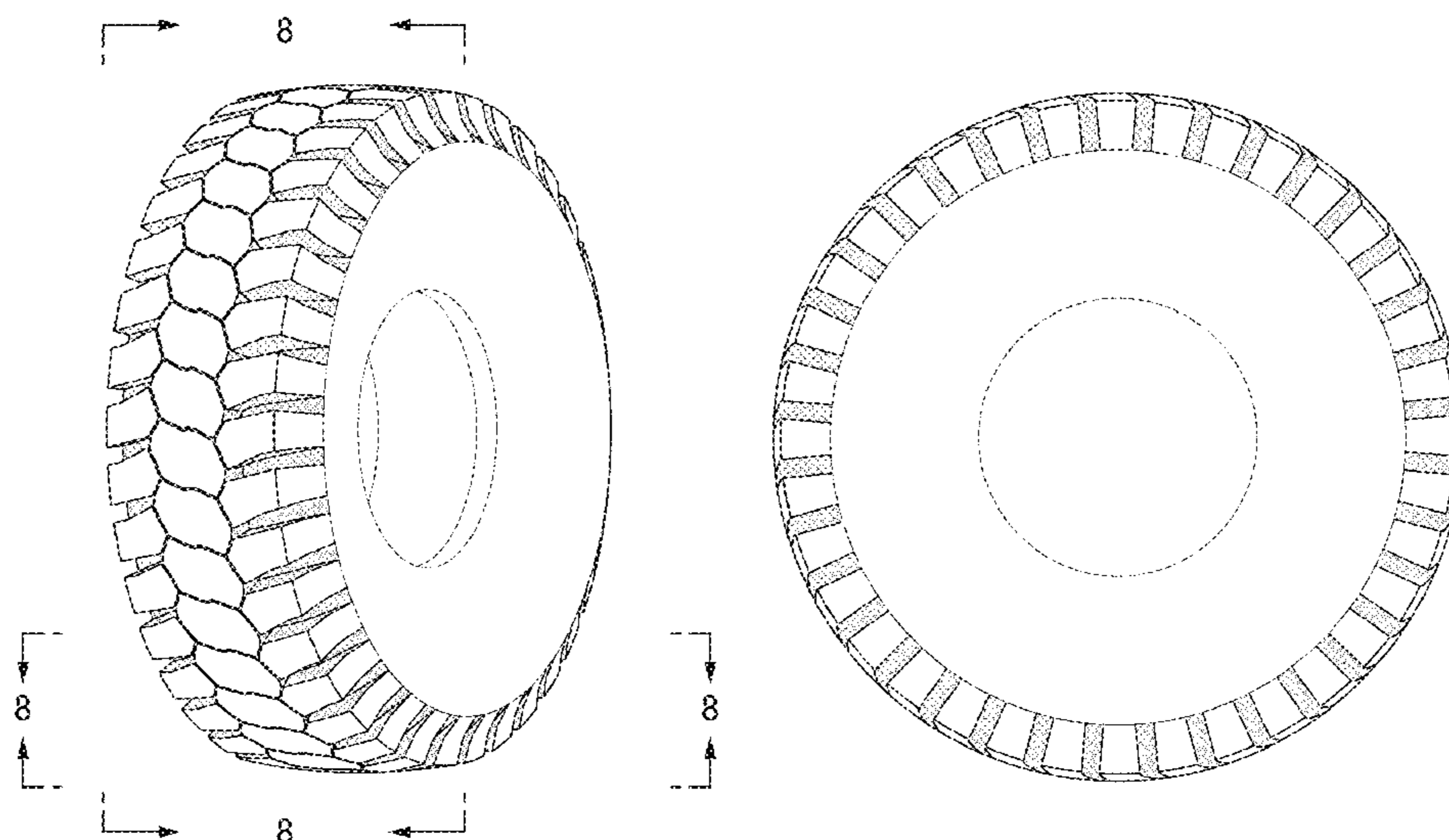
FIG. 8 is a partially enlarged view of a portion defined by lines 8-8 shown in FIG. 1;

FIG. 9 is a partially enlarged view of a portion defined by lines 9-9 shown in FIG. 2; and,

FIG. 10 is a cross sectional view of a portion defined by lines 10-10 shown in FIG. 9.

In the drawings, the portions of the article in broken lines depict inner bead and sidewall that forms no part of the claimed design. The dot and dashed lines mean a boundary between the claimed portion and the non-claimed portion of the design.

1 Claim, 10 Drawing Sheets



(56)

References Cited

U.S. PATENT DOCUMENTS

D486,783 S 2/2004 Ono
 D492,643 S 7/2004 Robert
 D500,285 S 12/2004 Ikeda
 D512,017 S 11/2005 Ochi et al.
 D529,434 S 10/2006 Regallis et al.
 D530,264 S 10/2006 Labbe et al.
 D549,163 S 8/2007 Maus et al.
 D556,674 S 12/2007 Missik-Gaffney et al.
 D557,654 S 12/2007 Yamaguchi
 D570,767 S 6/2008 Miyazaki et al.
 D573,941 S 7/2008 Song
 D573,942 S 7/2008 Song
 D598,369 S 8/2009 Beha
 D598,370 S 8/2009 Beha
 D601,086 S 9/2009 Maus et al.
 D602,426 S 10/2009 Yoda
 D606,005 S 12/2009 Cerny
 D606,928 S 12/2009 Song
 D606,929 S 12/2009 Song
 D609,164 S 2/2010 Lundgren et al.
 D609,167 S 2/2010 Regallis et al.
 D609,629 S 2/2010 Takada et al.
 D610,071 S 2/2010 Song
 D610,075 S 2/2010 Song
 D612,800 S 3/2010 Lundgren et al.
 D618,613 S 6/2010 Vandaele et al.
 D620,428 S 7/2010 Rayman
 D624,008 S 9/2010 Shan et al.
 D633,860 S 3/2011 Su
 D634,266 S 3/2011 Shan et al.
 D634,701 S 3/2011 Shan et al.
 D635,088 S 3/2011 Sareen
 D636,722 S 4/2011 Davidson et al.
 D646,628 S 10/2011 Yoda et al.
 D648,674 S 11/2011 Mayni et al.
 D654,427 S 2/2012 Chauvin et al.
 D660,224 S 5/2012 Takahashi
 D661,639 S 6/2012 Carter et al.
 D662,038 S 6/2012 Mayni et al.
 D662,464 S 6/2012 Dixon et al.
 D662,876 S 7/2012 Larregain
 D667,362 S 9/2012 Hughes et al.
 D675,148 S 1/2013 Kiwaki
 D700,133 S 2/2014 Takahashi
 D700,883 S 3/2014 Sareen
 D710,296 S 8/2014 Bani Hani et al.
 D711,814 S 8/2014 Ohara

D713,783 S 9/2014 Buchinger-Barnstorf
 D717,240 S 11/2014 Buchinger-Barnstorf
 D718,226 S 11/2014 Cerny

FOREIGN PATENT DOCUMENTS

BR DI6000218-2 8/2000
 BR DI6101588-1 10/2001
 BR DI6101589-0 10/2001
 BR DI6101721-3 10/2001
 BR DI6401323-5 8/2004
 BR DI6402261-7 10/2004
 BR DI6404432-7 4/2005
 BR DI6504014-7 1/2006
 BR DI6503910-6 3/2006
 BR DI6603981-9 3/2007
 BR DI6901164-8 12/2009
 BR DI6902198-8 4/2010
 BR 302012000316-4 4/2013
 BR 302014000218-0 9/2014
 BR 302014000269-4 9/2014
 EM 000766514-0001 4/2007
 JP 0804310 10/1990
 JP 0804310/1 6/1991
 JP 0823147 8/1991
 JP 0823147/1 8/1991
 JP 0906671 6/1994
 JP 0919874 11/1994
 JP 0965553 7/1996
 JP 1009477 2/1998
 JP 1030372 11/1998
 JP 1181450 6/2003
 JP 1181451 6/2003
 JP 1200305 2/2004
 JP 1201460 2/2004
 JP 1228392 12/2004
 RU 59303 6/2006

OTHER PUBLICATIONS

U.S. D637,548, May 2011, Yoda et al. (withdrawn).
 Goodyear, RT-3A (E-3), TL-S-SB-RP, 1 photo sheet, published 2011.
 Vipal, VZH, Off Road, 1 photo sheet, published 2011.
 National, Akuret RLB800 On/Off Drive, B-TL-S-SB-RP-HC, 1 photo sheet, published 2007.
 Yokohama, LY053, B-TL-S-SB-RP-HS, 1 photo sheet, published 2008.
 Yokohama, RB42 (E-4), TL-S-SB-RP, 1 photo sheet, published 2010.

* cited by examiner

FIG. 1

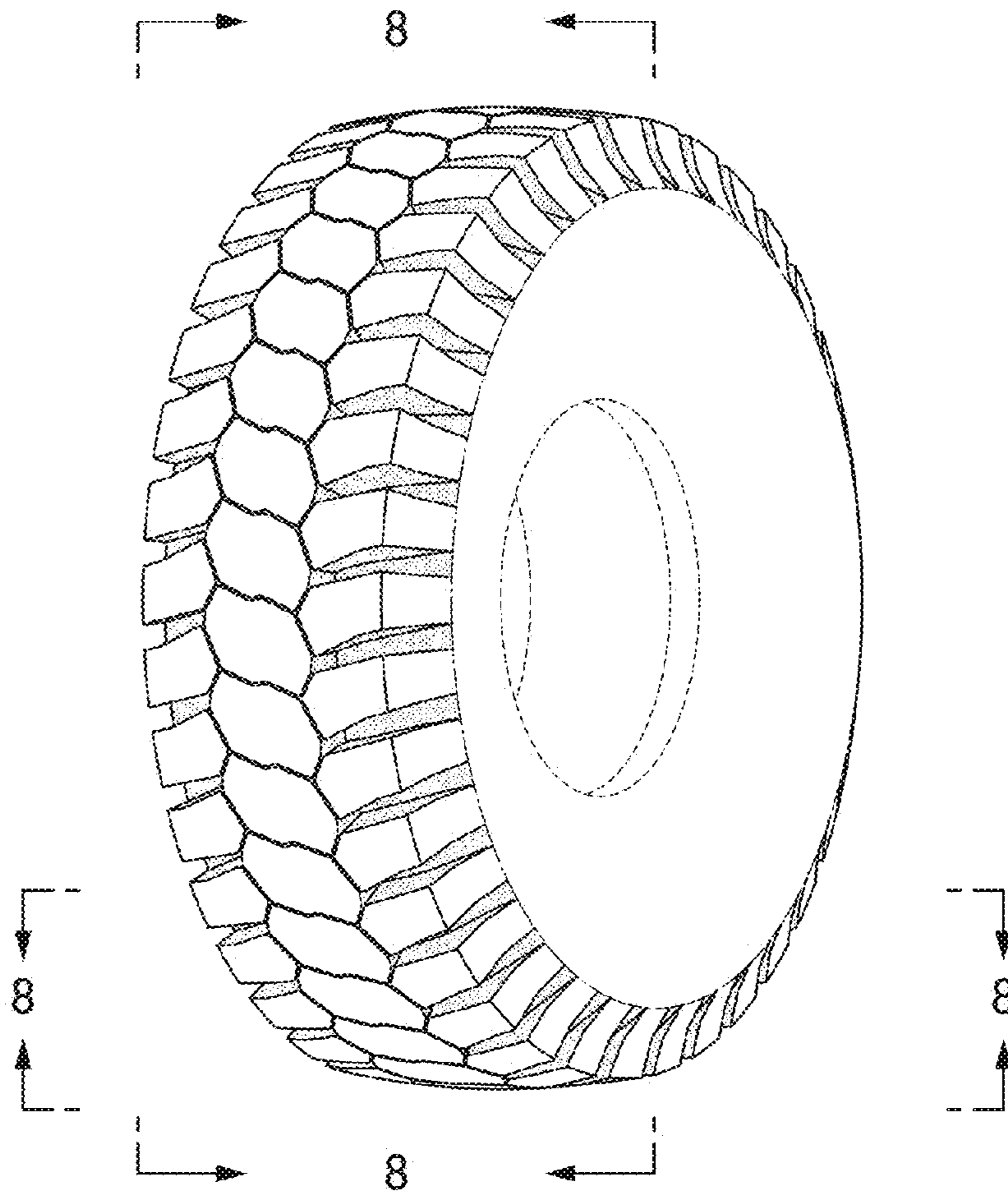


FIG. 2

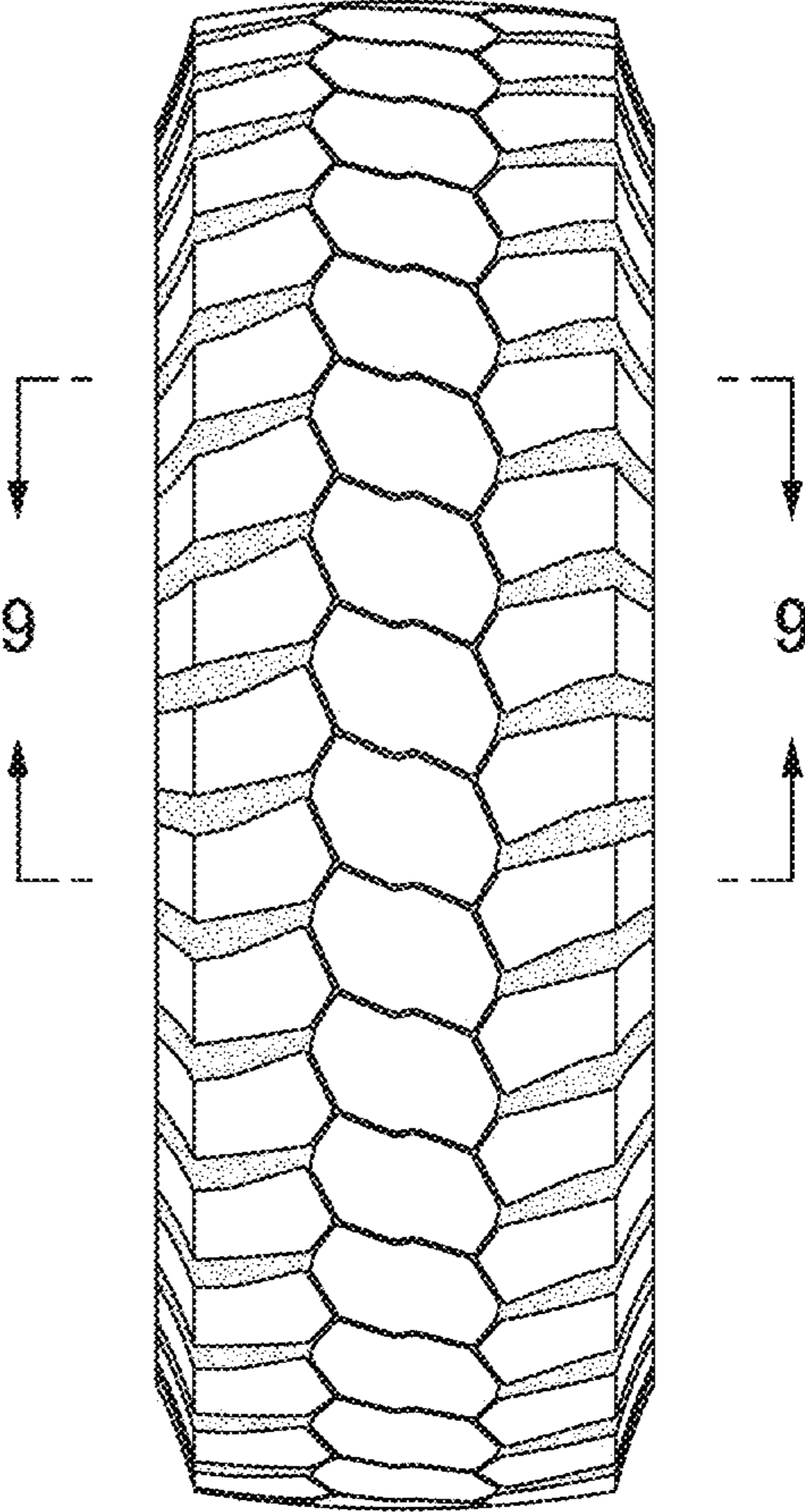


FIG. 3

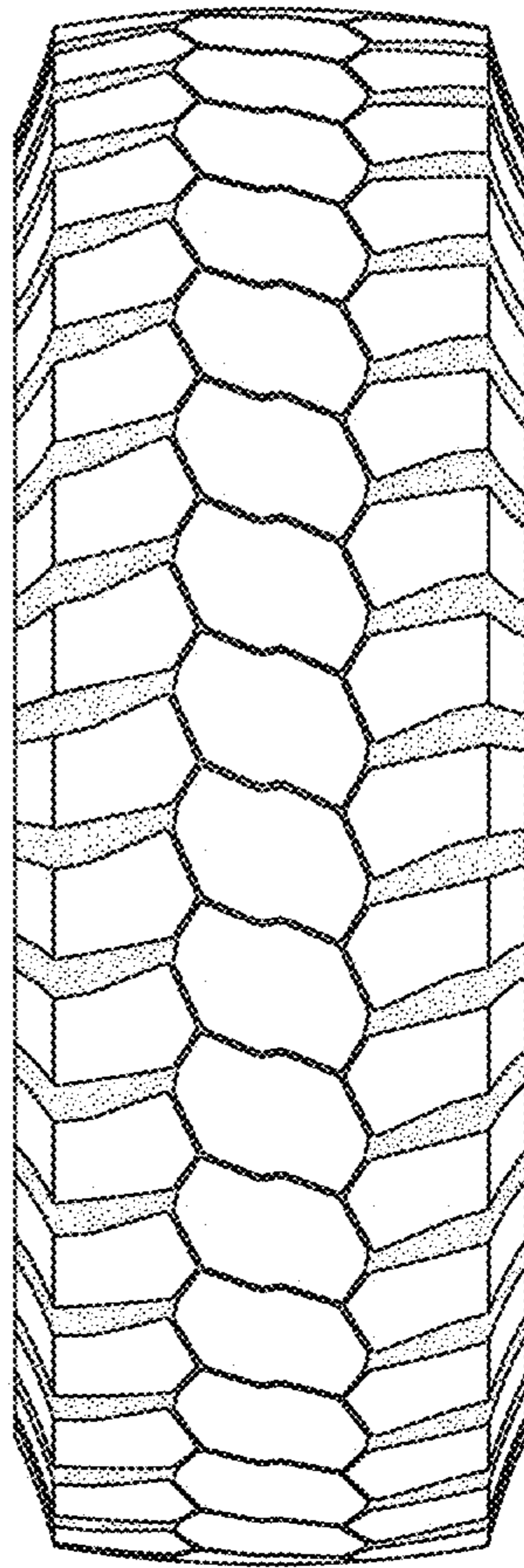


FIG. 4

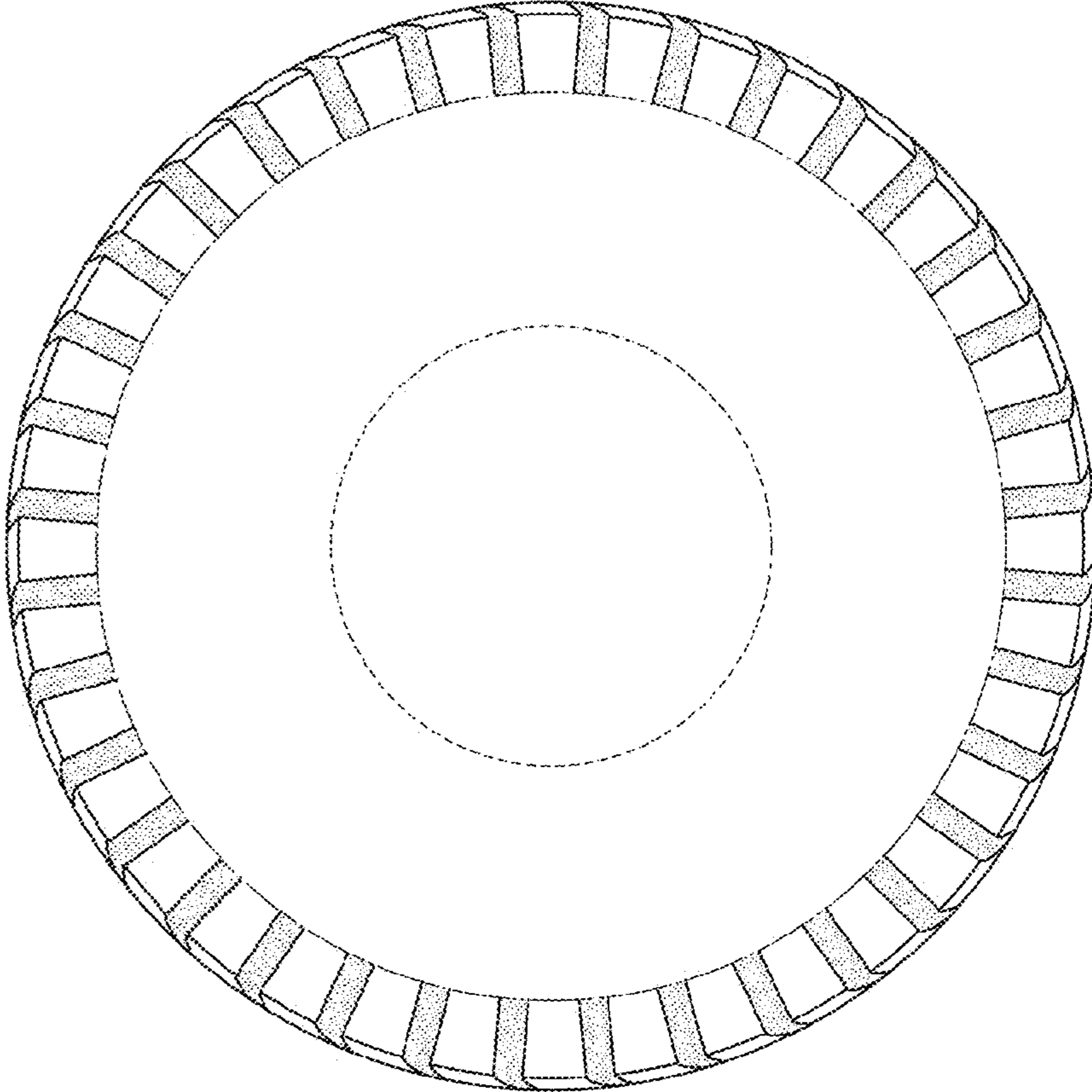


FIG. 5

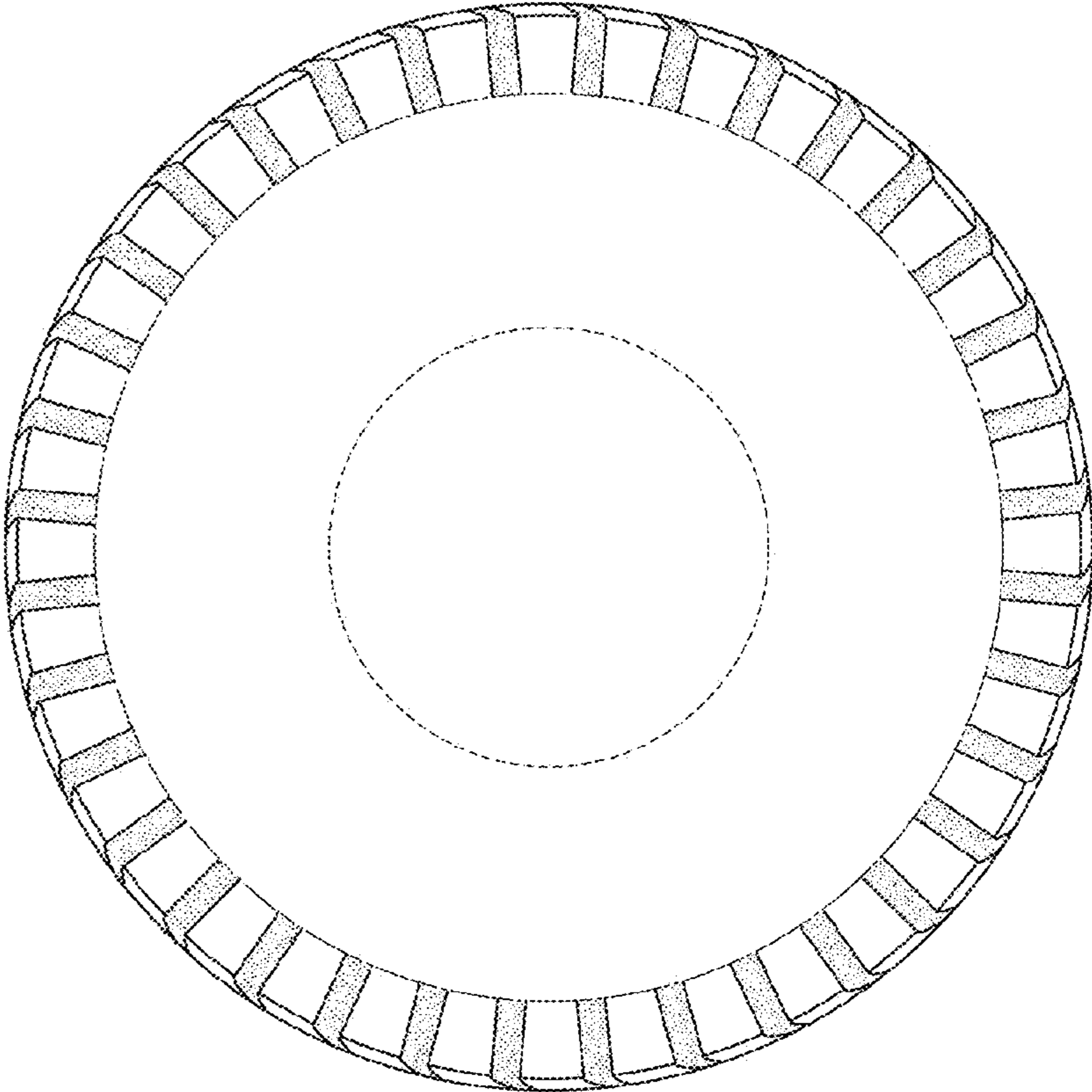


FIG. 6

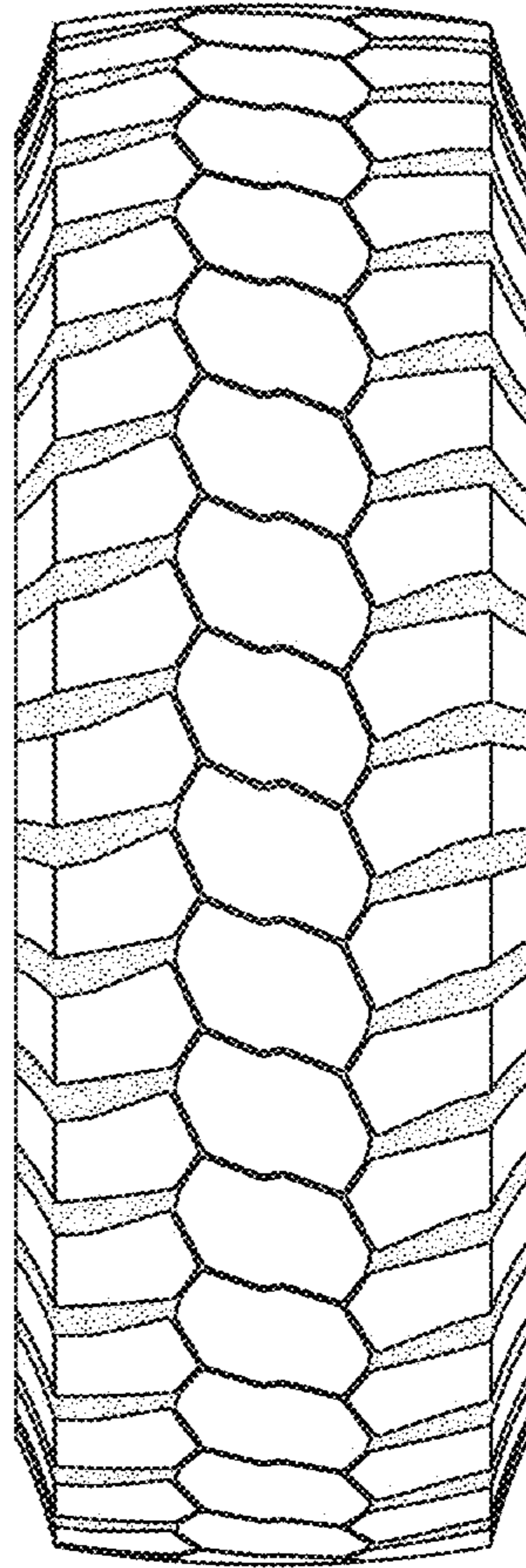


FIG. 7

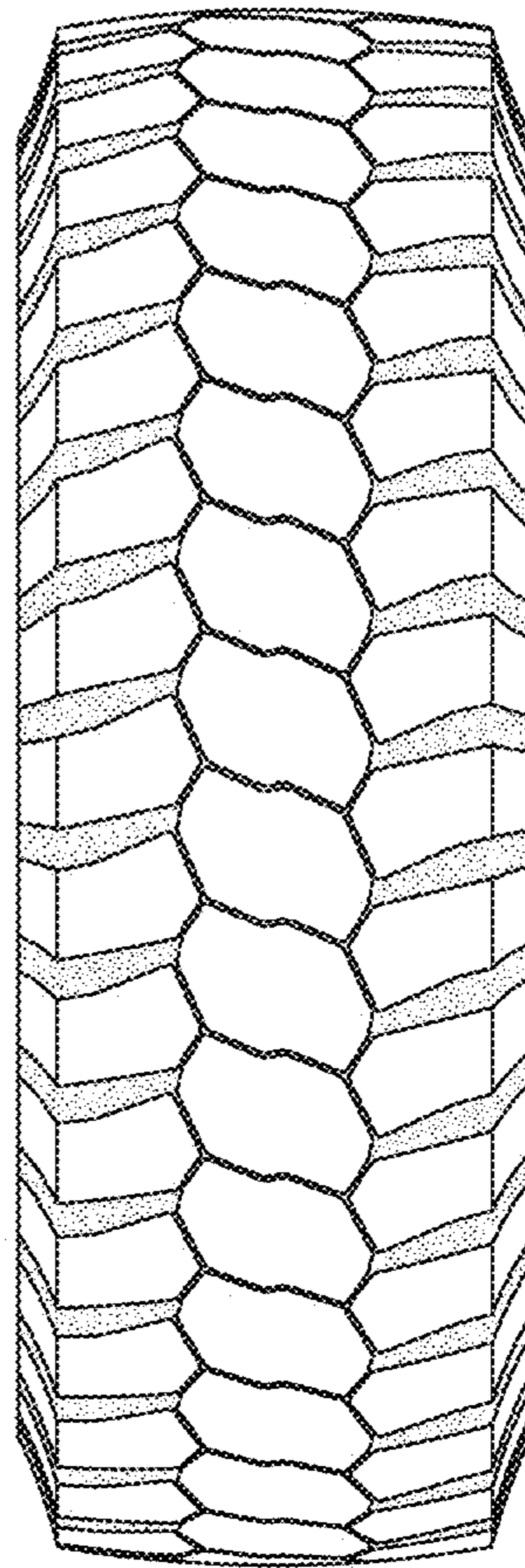


FIG. 8

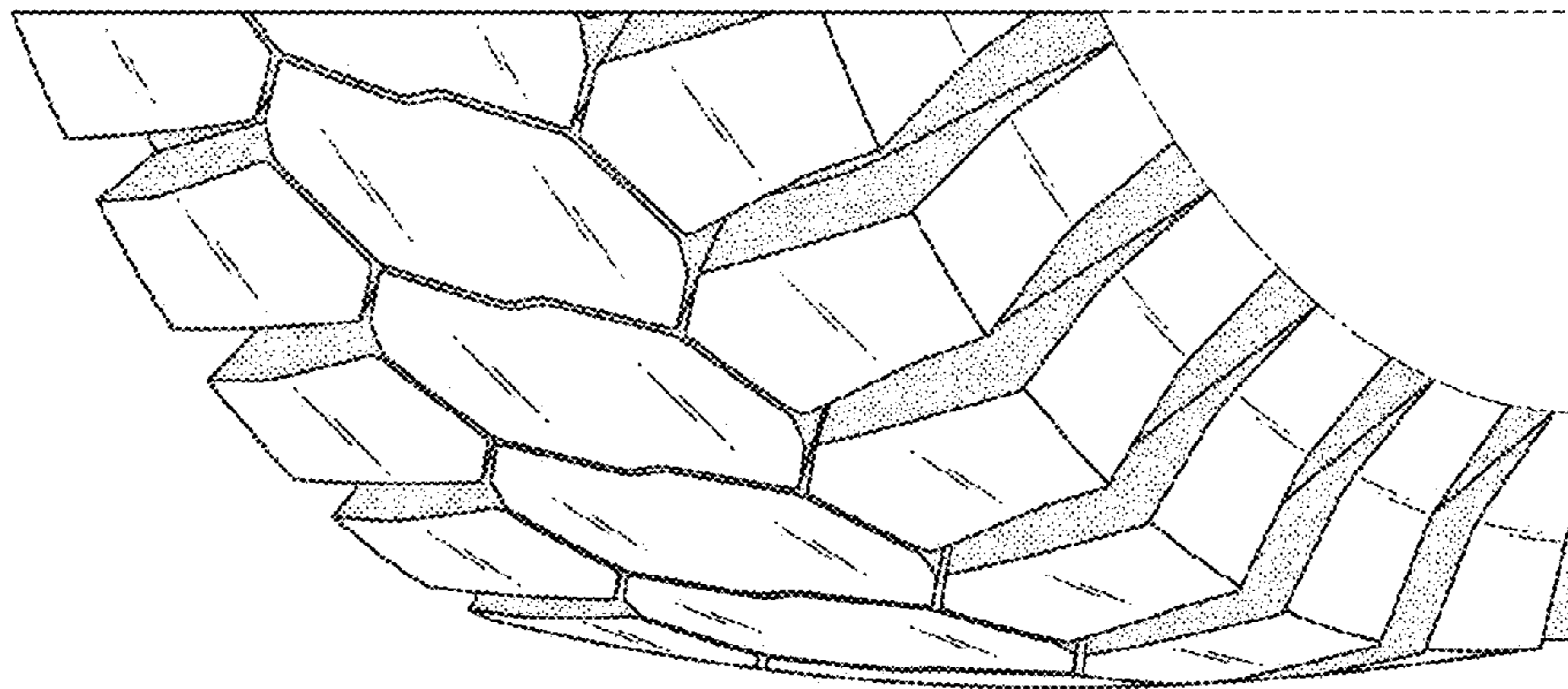


FIG. 9

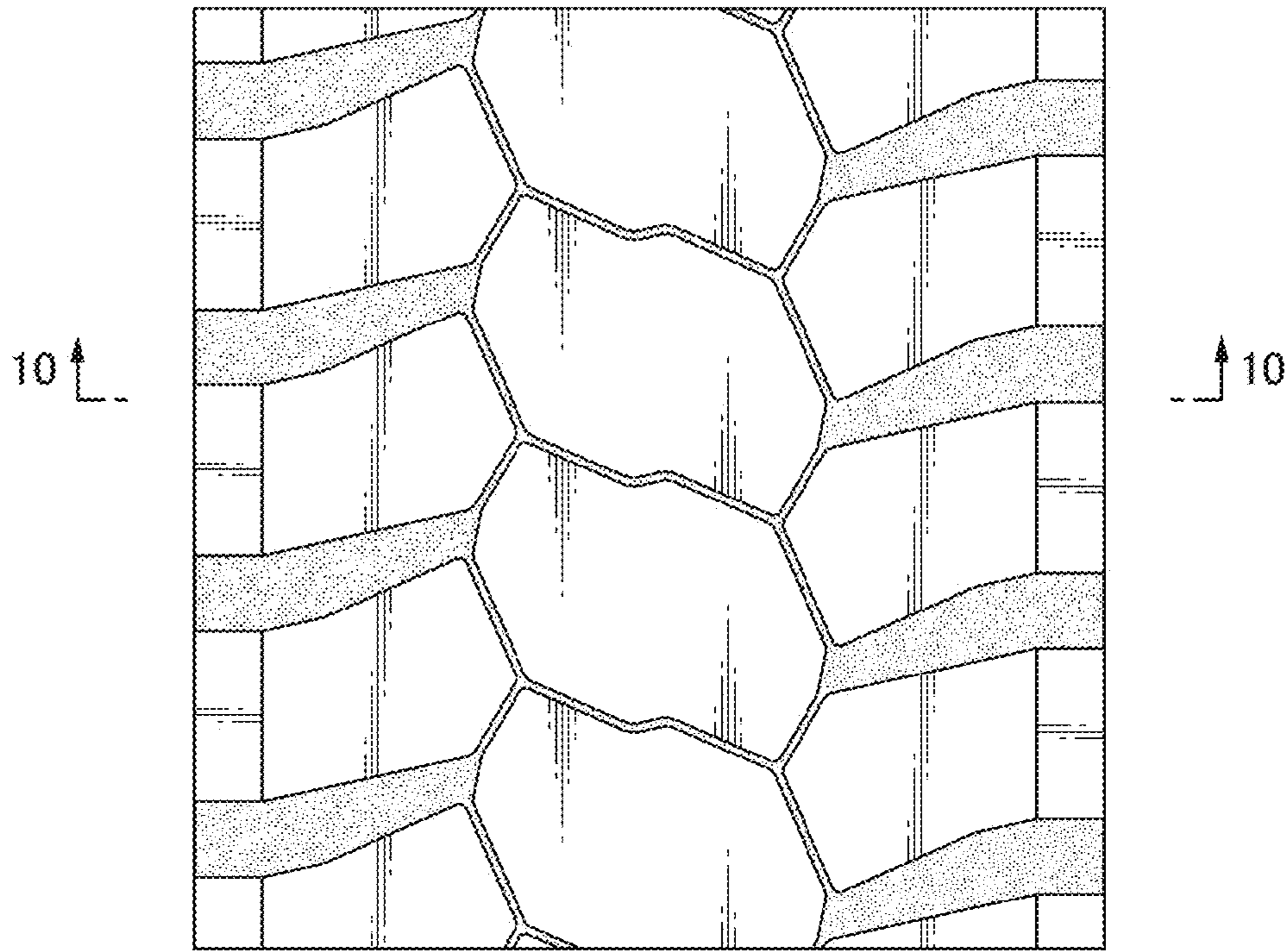


FIG. 10

