



US00D731400S

(12) **United States Design Patent**
Condon et al.

(10) **Patent No.:** **US D731,400 S**
(45) **Date of Patent:** **** Jun. 9, 2015**

(54) **VEHICLE RACK SYSTEM WITH A BICYCLE-GRIPPING CARRIER**

(71) Applicant: **Yakima Innovation Development Corporation**, Georgetown Grand Cayman (KY)

(72) Inventors: **David Condon**, Wilsonville, OR (US); **Juan H. Cagampang**, Portland, OR (US)

(73) Assignee: **Yakima Innovation Development Corporation**, Georgetown, Grand Cayman (KY)

(**) Term: **14 Years**

(21) Appl. No.: **29/452,623**

(22) Filed: **Apr. 18, 2013**

(51) **LOC (10) Cl.** **12-16**

(52) **U.S. Cl.**
USPC **D12/408**

(58) **Field of Classification Search**
USPC D12/408, 407, 406, 414.1, 420, 115;
224/403, 520, 532, 324, 501, 518, 533,
224/492, 493, 495, 500, 924, 497, 502, 510,
224/321, 329, 503, 523, 537, 513, 519, 314,
224/318, 325, 326, 509, 315, 319, 309, 514,
224/499, 516, 571, 572, 504, 323, 322;
24/68 CD, 301; 211/20, 17, 4, 22, 5, 21,
211/198, 200; 248/164; 362/549; D8/356;
D6/716.3; 16/324, 329; 340/432, 5.9,
340/543, 568.1; 194/205, 247, 902;
235/381, 382; 70/233, 57, 235

See application file for complete search history.

(56) **References Cited**

U.S. PATENT DOCUMENTS

D460,401 S * 7/2002 Andersson D12/408
D467,220 S * 12/2002 Walstrom et al. D12/408
D562,217 S * 2/2008 Davis et al. D12/408

7,481,344 B2 * 1/2009 Naslund et al. 224/319
D622,208 S * 8/2010 Sautter et al. D12/408
D623,117 S * 9/2010 Farber D12/408
D635,086 S * 3/2011 Shen D12/408
D656,887 S * 4/2012 Bogoslofski et al. D12/406
8,210,407 B2 * 7/2012 Sautter et al. 224/315
8,505,793 B2 * 8/2013 Foley 224/324
D703,605 S * 4/2014 Sautter et al. D12/408
8,763,870 B2 * 7/2014 Davis 224/324
2005/0284905 A1 * 12/2005 Naslund et al. 224/319
2007/0119887 A1 * 5/2007 Foley 224/324
2007/0164065 A1 * 7/2007 Davis 224/324
2008/0053926 A1 * 3/2008 Foley 211/17
2010/0078454 A1 * 4/2010 Sautter et al. 224/315
2013/0020361 A1 * 1/2013 Sautter et al. 224/315
2013/0062379 A1 * 3/2013 Sautter et al. 224/324

(Continued)

Primary Examiner — Robert M Spear

Assistant Examiner — Ryan Harvey

(74) *Attorney, Agent, or Firm* — Kolisch Hartwell, P.C.

(57) **CLAIM**

We claim the ornamental design for a vehicle rack system with a bicycle-gripping carrier, as shown and described.

DESCRIPTION

FIG. 1 is a perspective view of a vehicle rack system with a bicycle-gripping carrier constructed in accordance with the present invention.

FIG. 2 is a right side elevation view thereof.

FIG. 3 is a left side elevation view thereof.

FIG. 4 is a top plan view thereof.

FIG. 5 is a bottom plan view thereof.

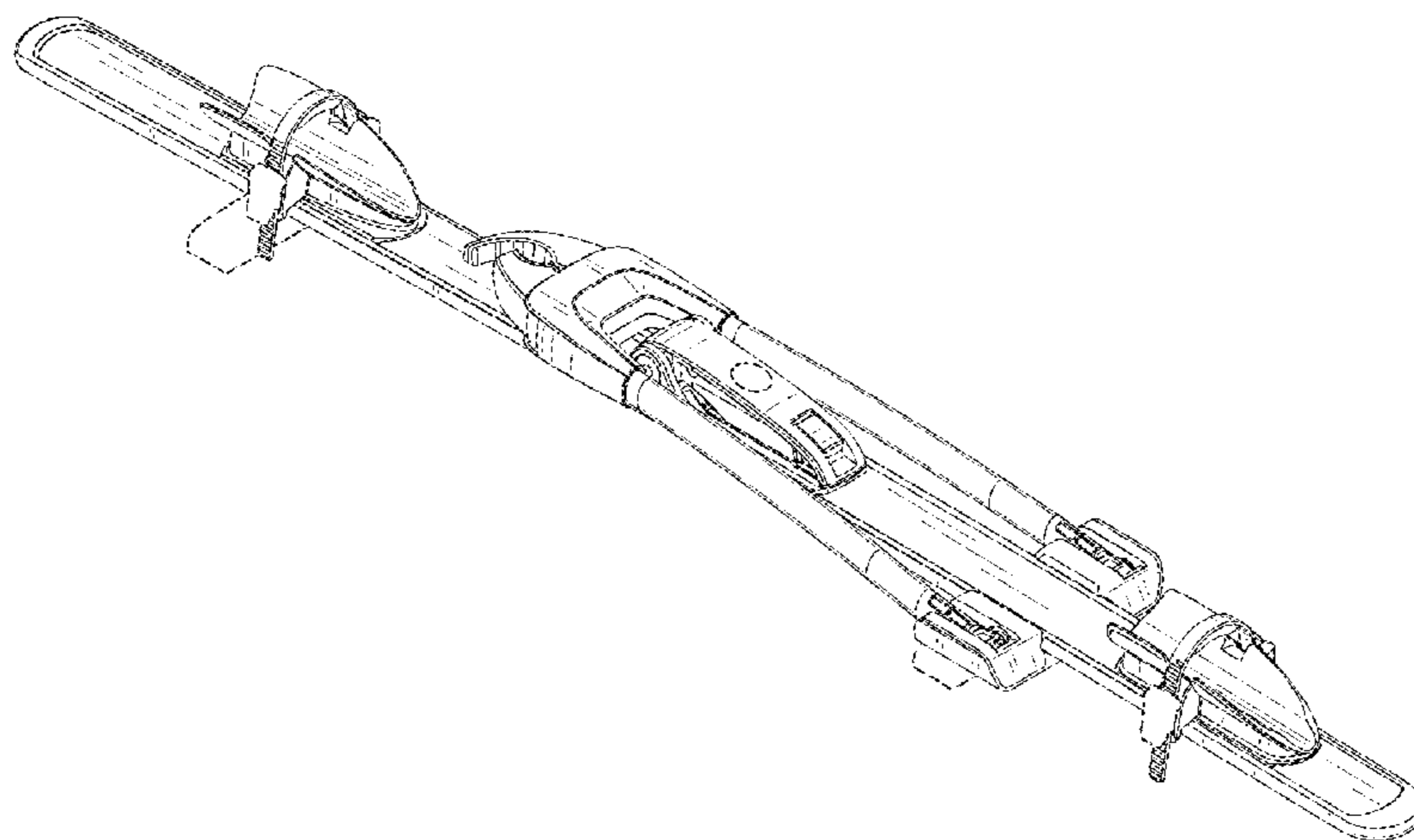
FIG. 6 is an enlarged front elevation view thereof; and,

FIG. 7 is an enlarged rear elevation view thereof.

The broken lines illustrate portions of the article that form no part of the claimed design.

The stippling and shading lines shown in the drawing(s) represent the approximate three-dimensional contour of the design, and are not intended to indicate surface decoration.

1 Claim, 3 Drawing Sheets



US D731,400 S

Page 2

(56)

References Cited

U.S. PATENT DOCUMENTS

2013/0062385	A1 *	3/2013	Pedrini	224/501	2014/0124551	A1 *	5/2014	Condon et al.	224/324
2013/0175308	A1 *	7/2013	Sautter et al.	224/324	2014/0144958	A1 *	5/2014	Sautter et al.	224/314
2013/0214020	A1 *	8/2013	Pedrini	224/501	2014/0144959	A1 *	5/2014	Sautter et al.	224/321
						2014/0158729	A1 *	6/2014	Pedrini	224/501

* cited by examiner

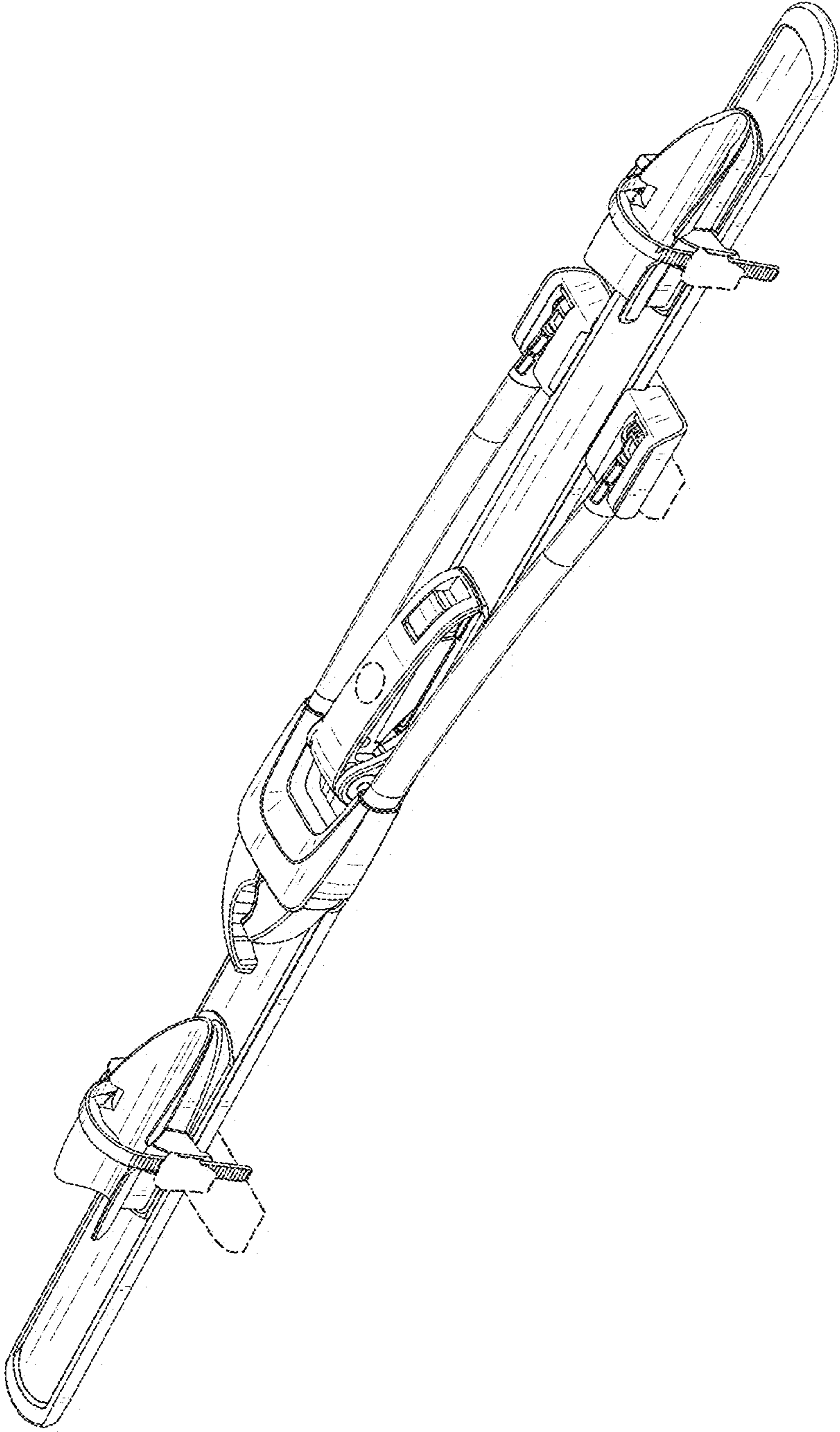


FIG. 1

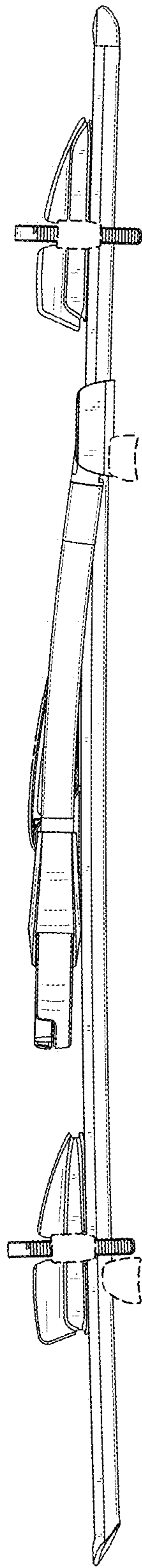


FIG. 2

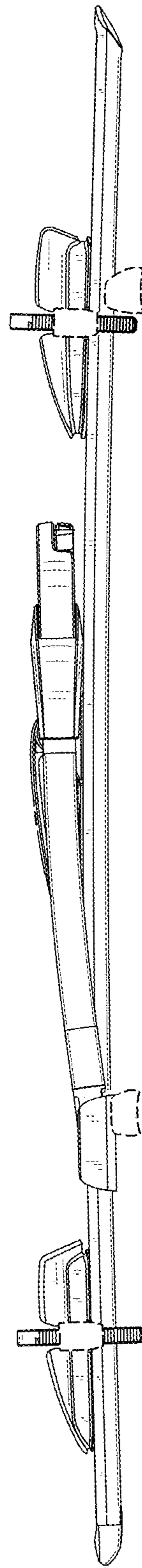


FIG. 3

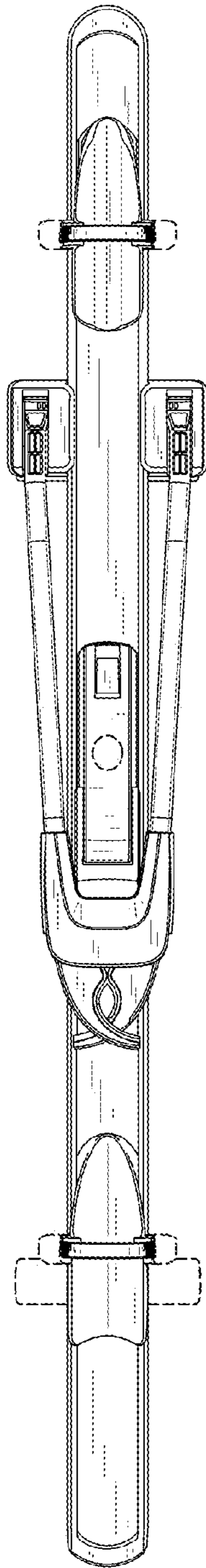


FIG. 4

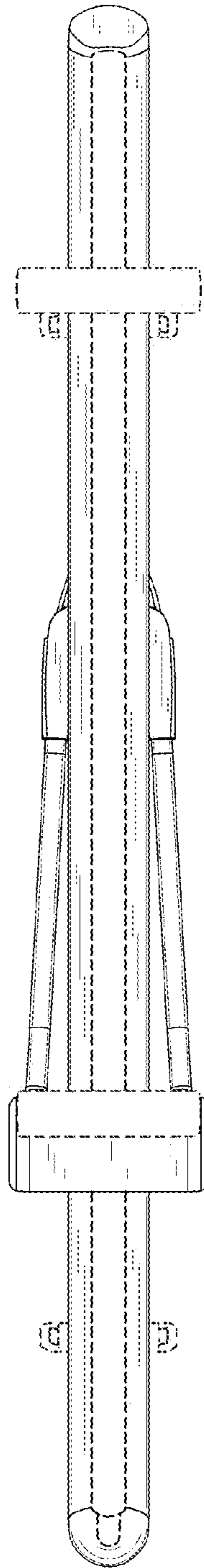


FIG. 5

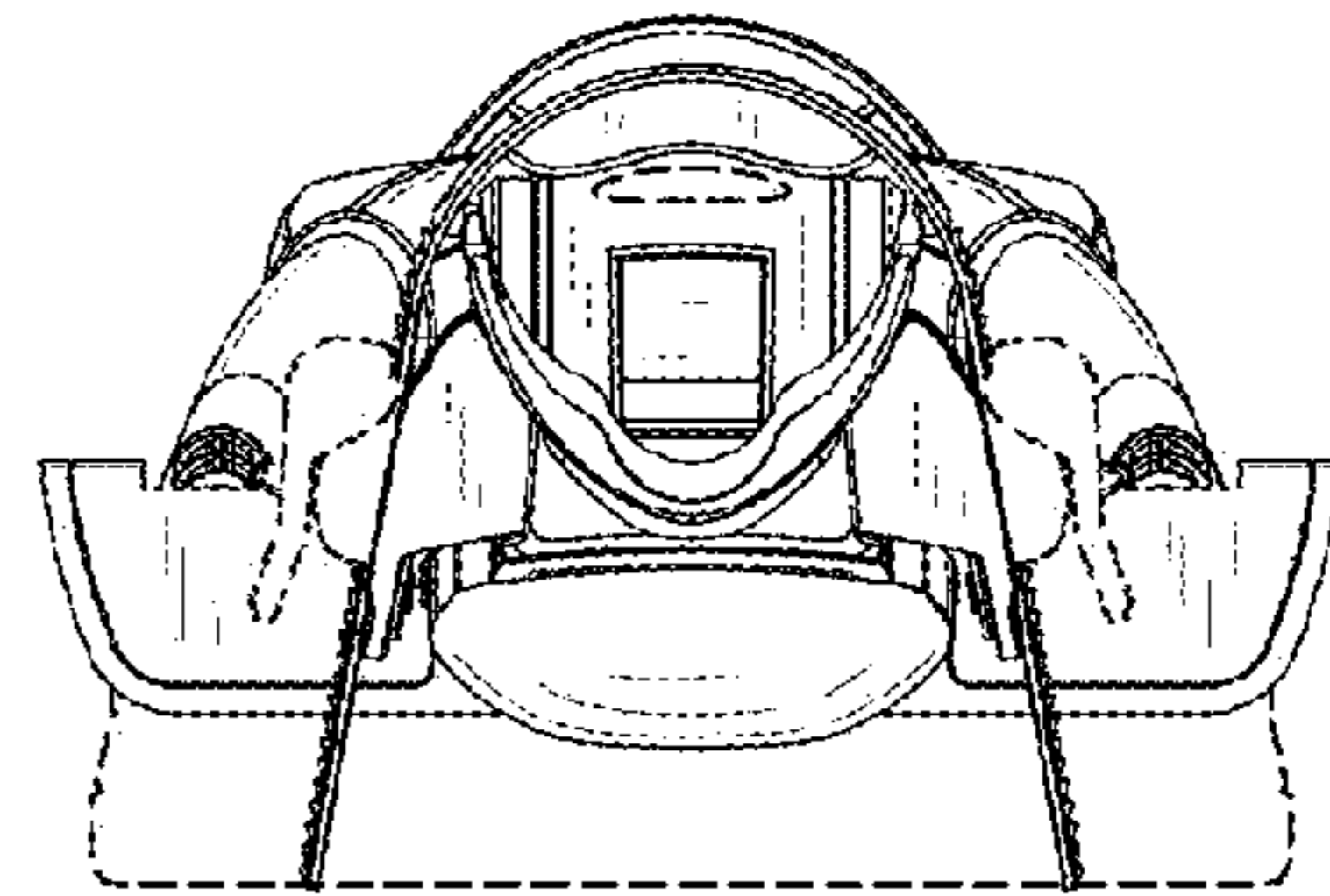


FIG. 6

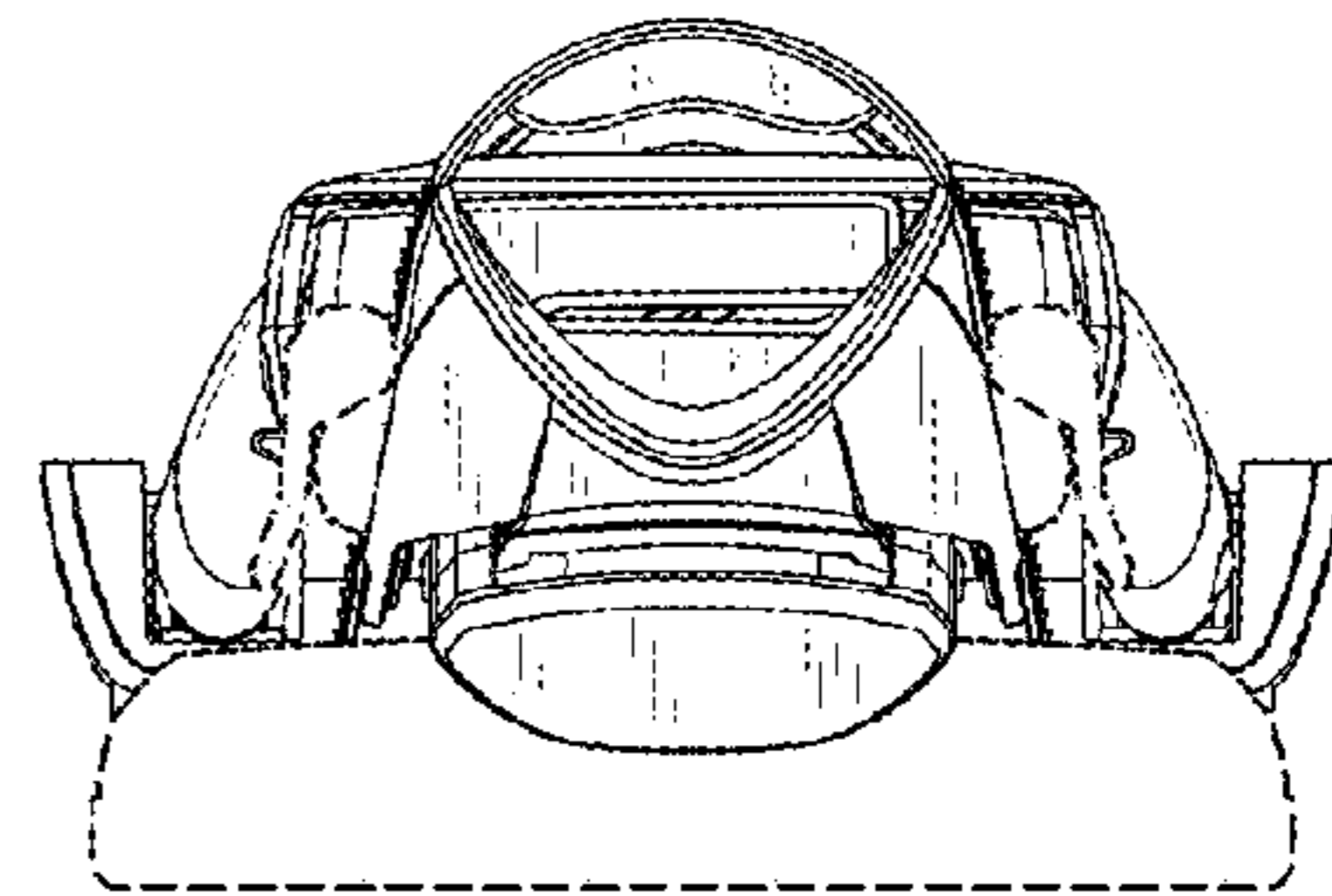


FIG. 7