



US00D731395S

(12) **United States Design Patent**
Ivans et al.

(10) **Patent No.:** **US D731,395 S**
(45) **Date of Patent:** **** Jun. 9, 2015**

(54) **TILTROTOR AIRCRAFT TAIL SECTION**

(71) Applicant: **Bell Helicopter Textron Inc.**, Fort Worth, TX (US)

(72) Inventors: **Steven Ivans**, Ponder, TX (US); **Berlin Benfield**, Grapevine, TX (US); **Cory Hitte**, Fort Worth, TX (US)

(73) Assignee: **Bell Helicopter Textron Inc.**, Fort Worth, TX (US)

(**) Term: **14 Years**

(21) Appl. No.: **29/470,692**

(22) Filed: **Oct. 24, 2013**

(51) **LOC (10) Cl.** **12-07**

(52) **U.S. Cl.**
USPC **D12/345**

(58) **Field of Classification Search**
USPC D12/16.1, 319-345; D21/447, 448, 450
CPC B64C 1/00; B64C 1/0009; B64C 1/38;
B64C 5/00; B64C 5/02; B64C 5/06; B64C
7/00; B64C 9/00; B64C 2001/0045; Y02T
50/12

See application file for complete search history.

(56) **References Cited**

U.S. PATENT DOCUMENTS

D140,129 S * 1/1945 Watter D12/344
D192,664 S * 4/1962 Peterson D12/338
3,035,789 A * 5/1962 Young 244/7 C
4,924,228 A * 5/1990 Novak et al. 342/2

D351,131 S * 10/1994 Inoue et al. D12/331
5,352,090 A * 10/1994 Churchill et al. 416/61
5,957,405 A * 9/1999 Williams 244/15
6,260,793 B1 * 7/2001 Balayn et al. 244/7 R
6,328,256 B1 * 12/2001 Ryan et al. 244/7 R
D517,467 S * 3/2006 Vigneron et al. D12/319
D616,804 S * 6/2010 Manley et al. D12/319
D628,528 S * 12/2010 Cabezas Carrasco D12/319
D691,547 S * 10/2013 Hall et al. D12/319
2009/0026311 A1 * 1/2009 Verde Preckler et al. 244/91
2009/0224096 A1 * 9/2009 Waide et al. 244/60
2013/0277495 A1 * 10/2013 Weber et al. 244/13

* cited by examiner

Primary Examiner — Martie K Holtje

(74) *Attorney, Agent, or Firm* — Bell Helicopter Textron Inc.

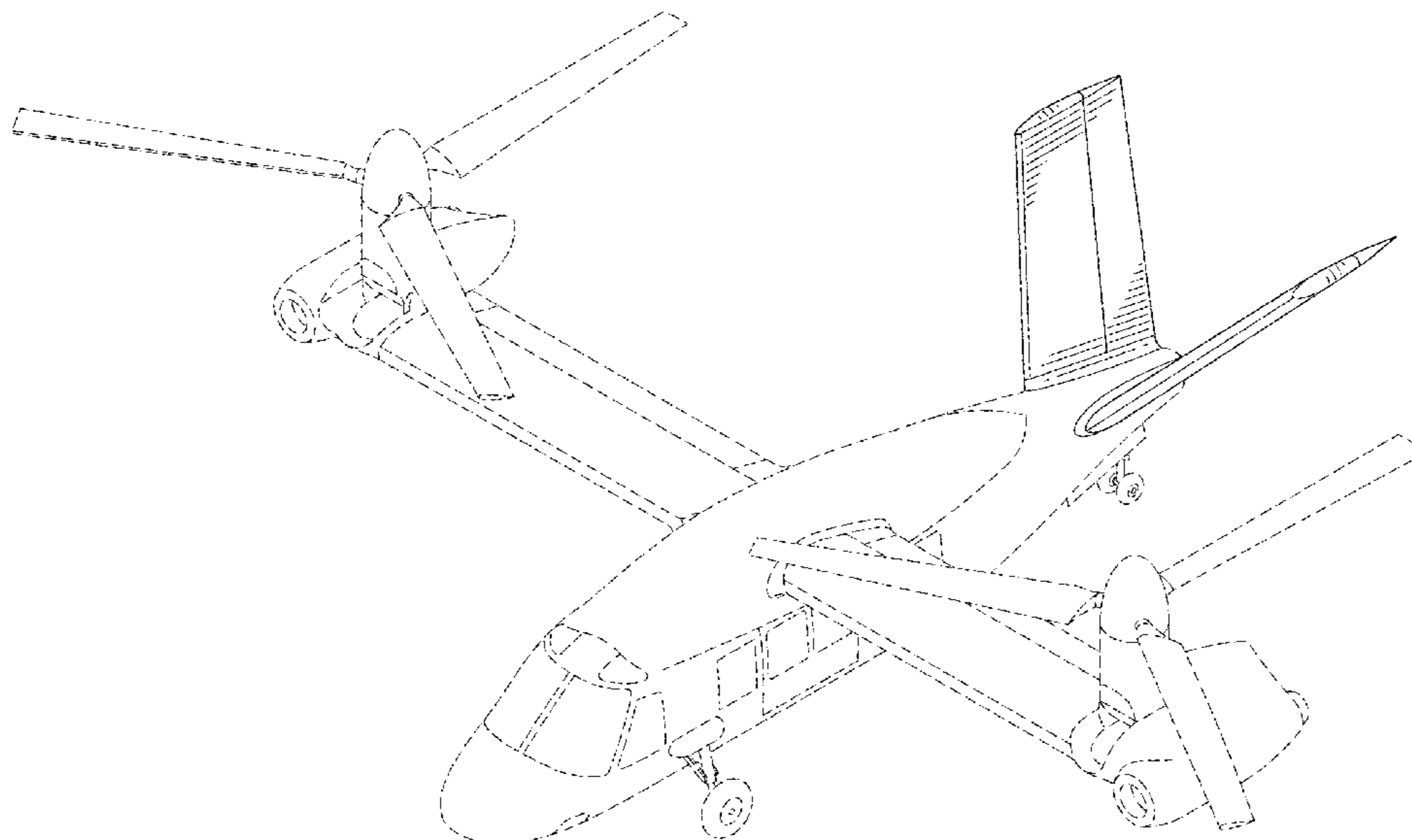
(57) **CLAIM**

The ornamental design for a tiltrotor aircraft tail section, as shown and described.

DESCRIPTION

FIG. 1 is a right front perspective view of a tiltrotor aircraft tail section showing our new design;
FIG. 2 is a front elevational view thereof;
FIG. 3 is a rear elevational view thereof;
FIG. 4 is a right side elevational view thereof;
FIG. 5 is a left side elevational view thereof;
FIG. 6 is a top plan view thereof; and,
FIG. 7 is a bottom plan view thereof.
The tiltrotor aircraft depicted by broken lines in the drawings has been shown for the purpose of illustrating environment that forms no part of the claimed design.

1 Claim, 5 Drawing Sheets



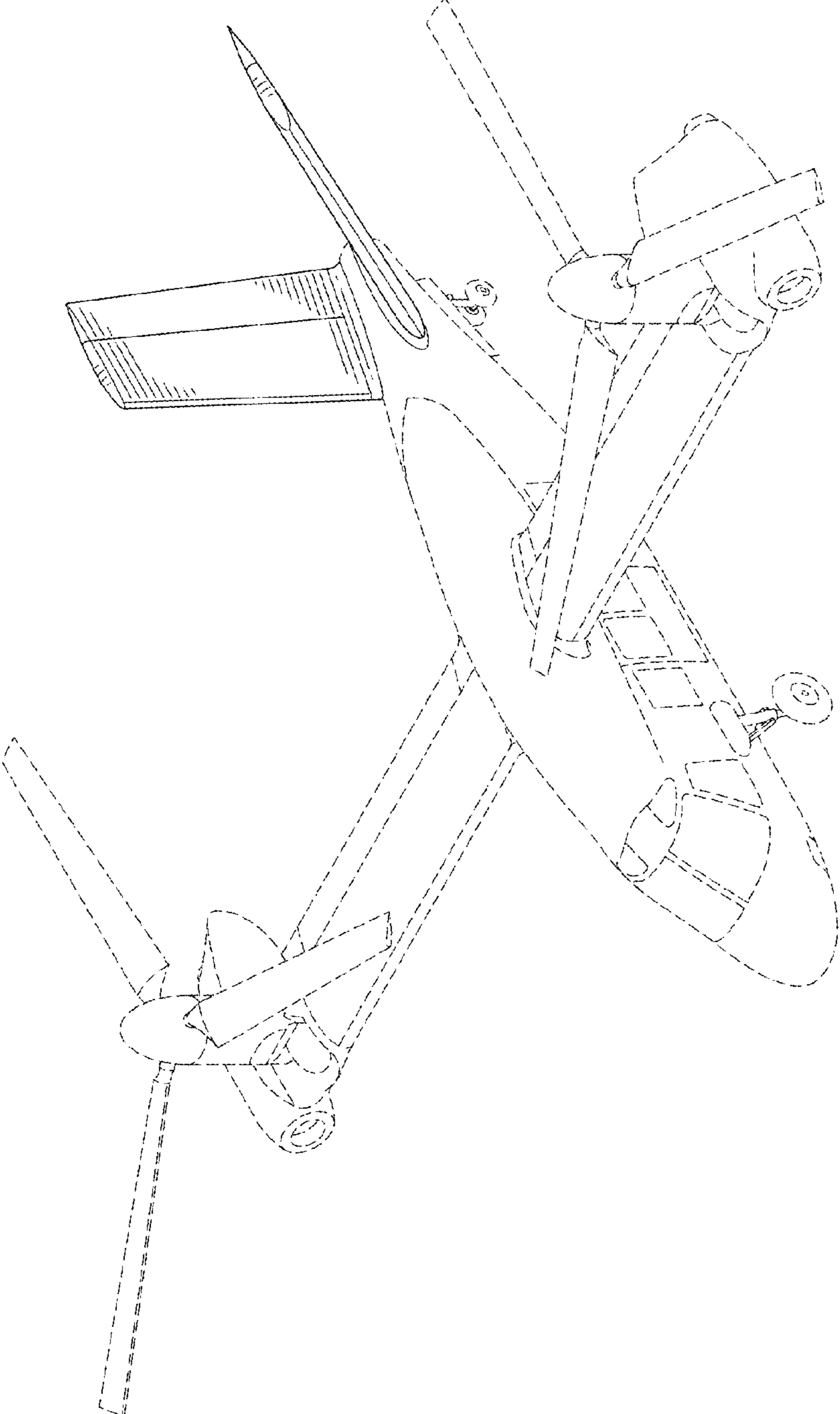


FIG. 1

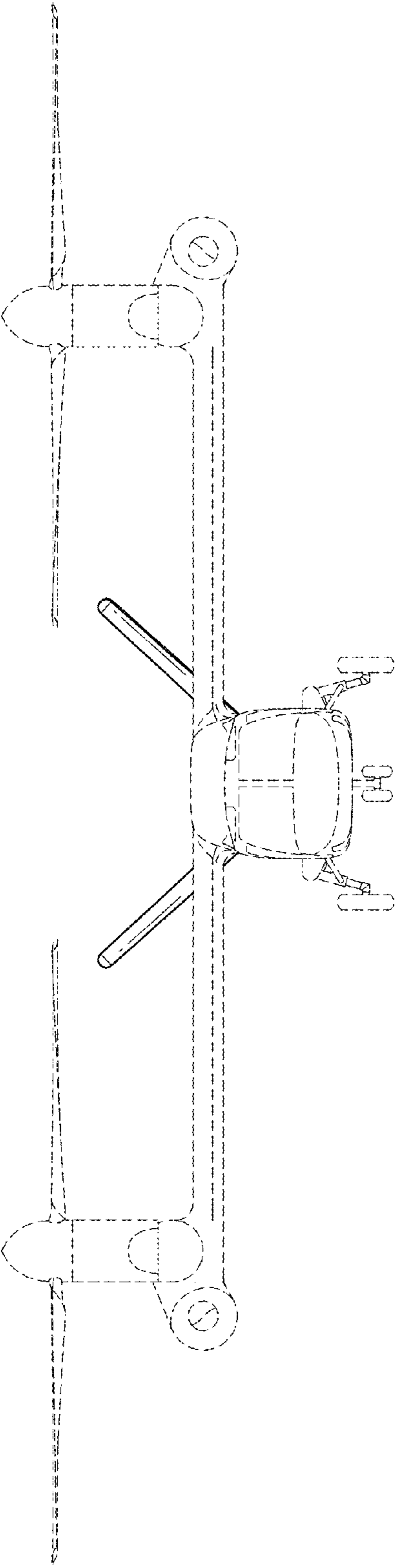


FIG. 2

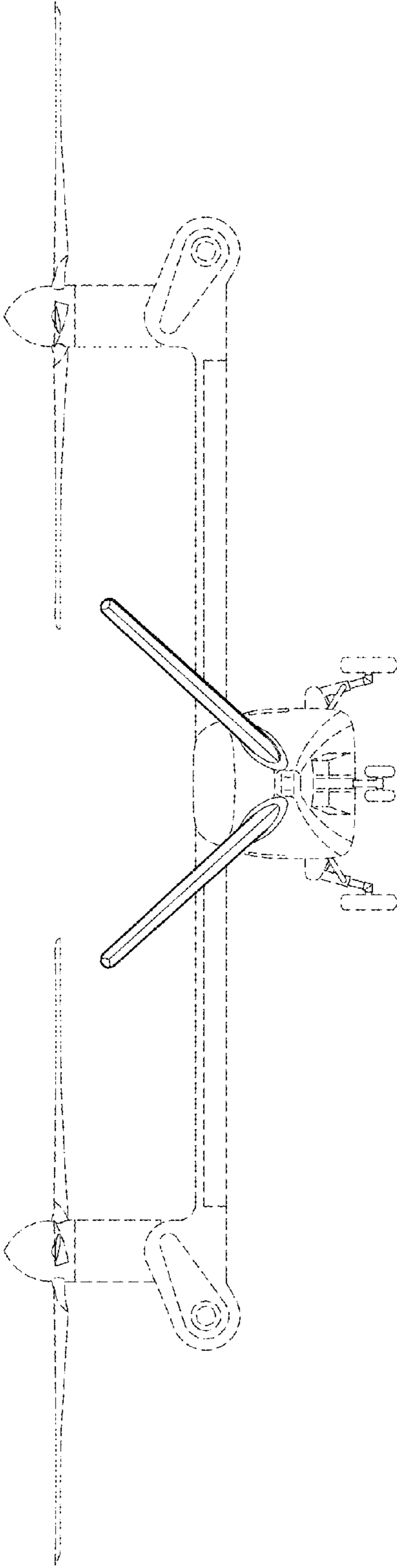


FIG. 3

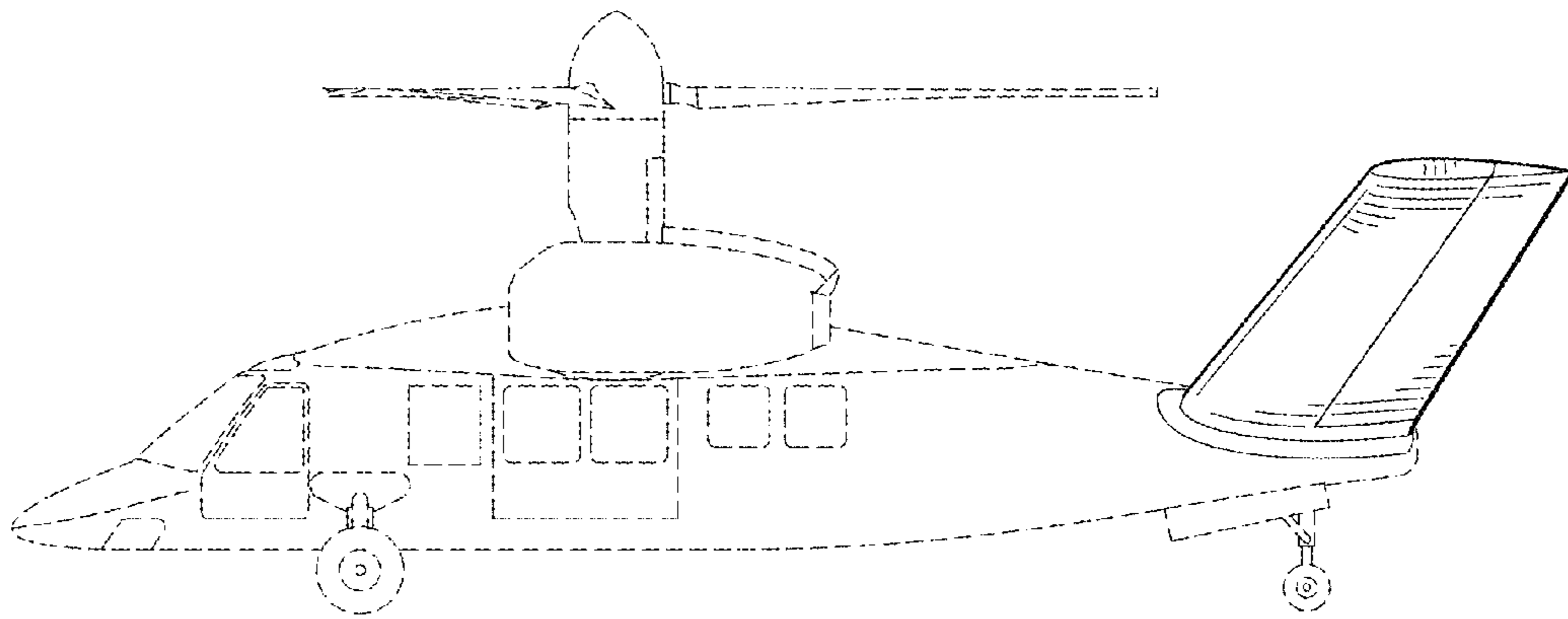


FIG. 4

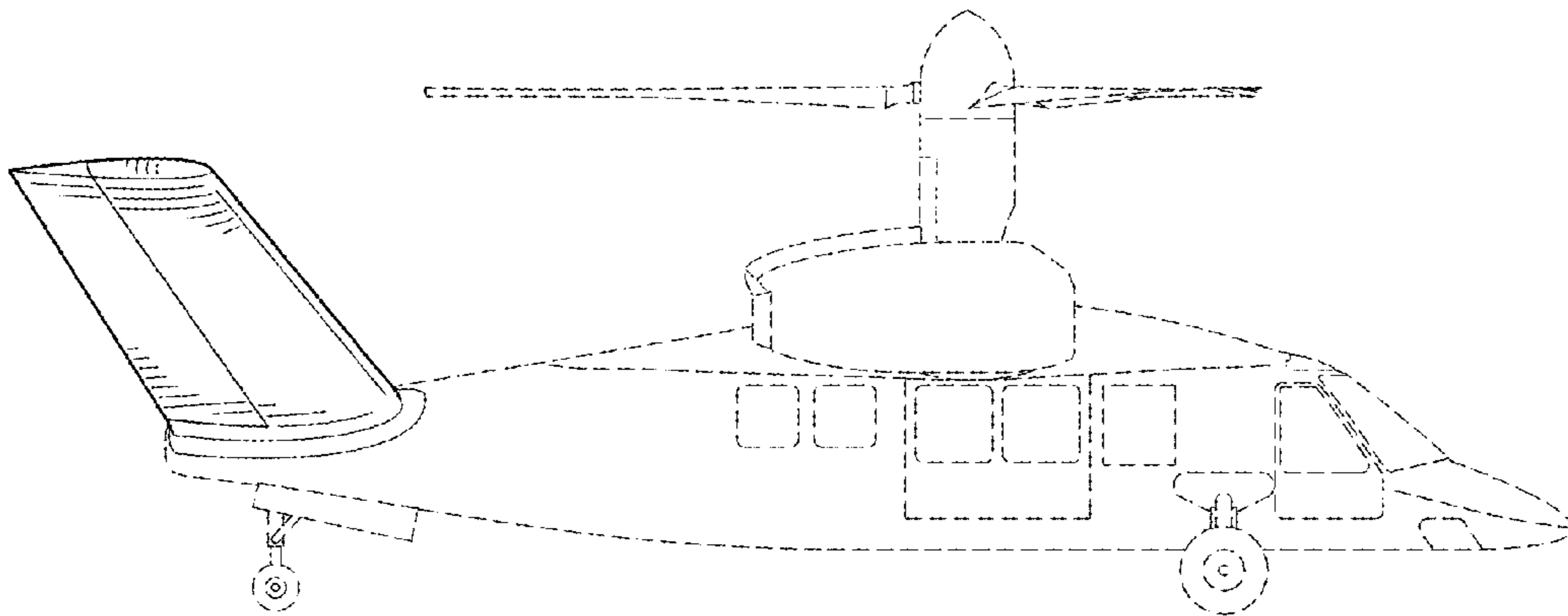


FIG. 5

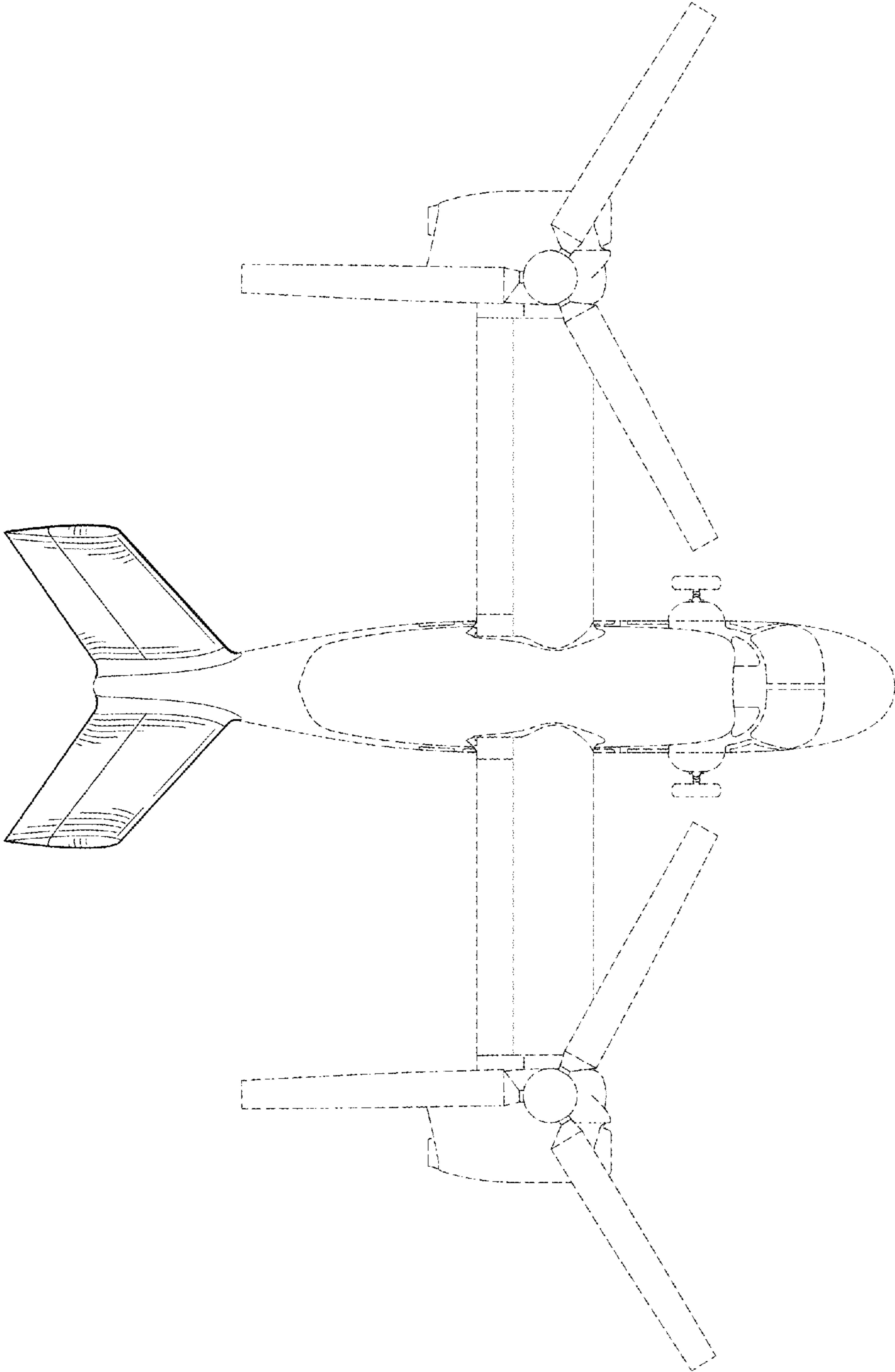


FIG. 6

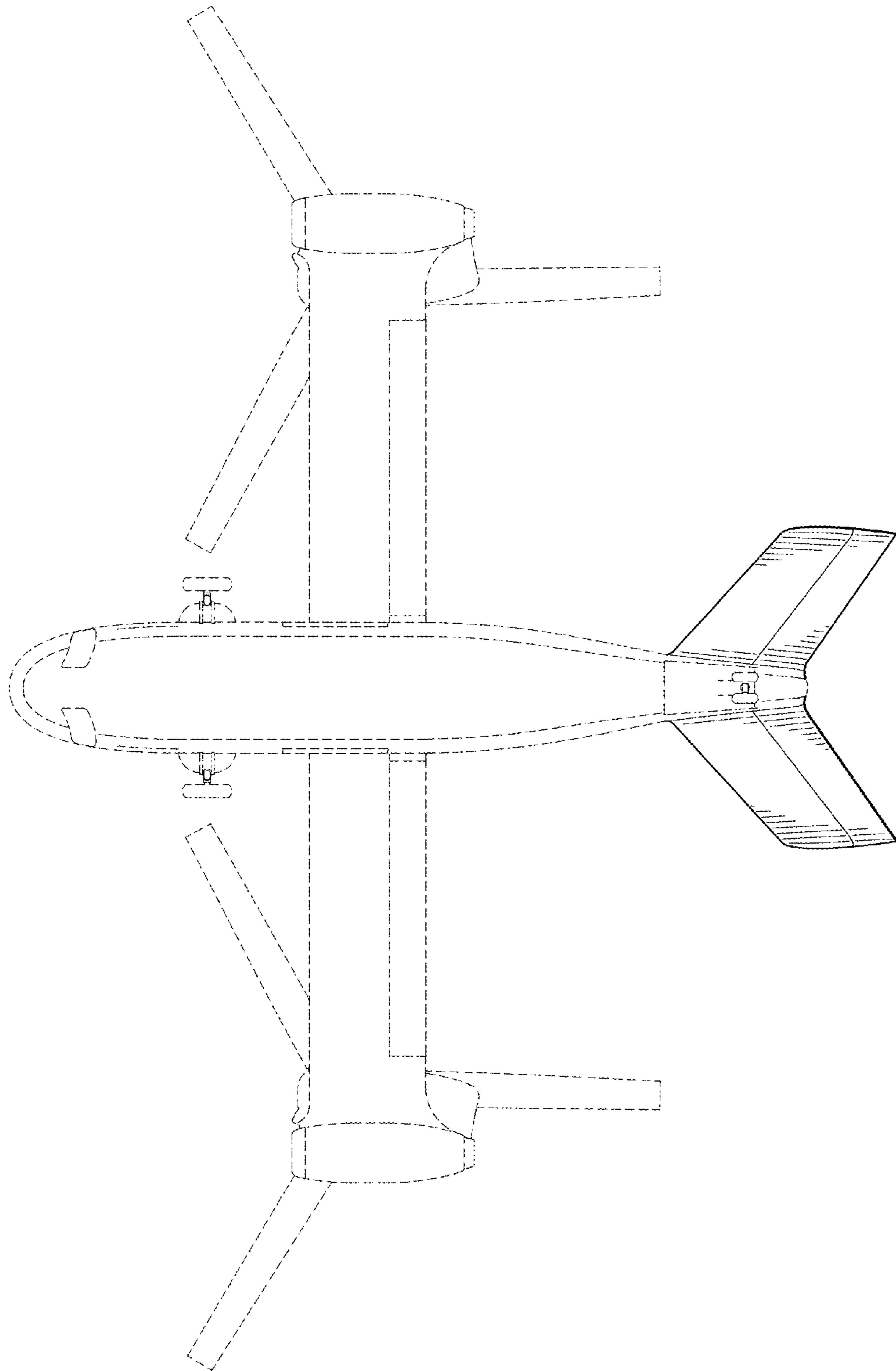


FIG. 7