



US00D731394S

(12) **United States Design Patent**
Ivans et al.

(10) **Patent No.:** **US D731,394 S**
(45) **Date of Patent:** **** Jun. 9, 2015**

(54) **TILTROTOR AIRCRAFT WITH FIXED ENGINES**

(71) Applicant: **Bell Helicopter Textron Inc.**, Fort Worth, TX (US)

(72) Inventors: **Steven Ivans**, Ponder, TX (US); **Berlin Benfield**, Grapevine, TX (US); **Cory Hitte**, Fort Worth, TX (US)

(73) Assignee: **Bell Helicopter Textron Inc.**, Fort Worth, TX (US)

(**) Term: **14 Years**

(21) Appl. No.: **29/470,688**

(22) Filed: **Oct. 24, 2013**

(51) **LOC (10) Cl.** **12-07**

(52) **U.S. Cl.**
USPC **D12/345**

(58) **Field of Classification Search**
USPC D12/16.1, 319-345; D21/441, 442, D21/447, 450, 453
CPC B64C 29/00; B64C 29/0033; B64C 29/02; B64C 27/00; B64C 27/008; B64C 27/04; B64C 27/08; B64C 27/10; B64C 27/22; B64C 7/00; B64C 7/02; B64C 11/48
See application file for complete search history.

(56) **References Cited**

U.S. PATENT DOCUMENTS

3,035,789 A * 5/1962 Young 244/7 C
D226,826 S * 5/1973 Wernicke D12/326
D311,719 S * 10/1990 Haga D12/328
5,054,716 A * 10/1991 Wilson 244/56
D323,315 S * 1/1992 Haga D12/331

5,096,140 A * 3/1992 Dornier et al. 244/7 C
D332,079 S * 12/1992 Haga et al. D12/331
5,352,090 A * 10/1994 Churchill et al. 416/61
5,381,985 A * 1/1995 Wechsler et al. 244/7 C
5,405,105 A * 4/1995 Kress 244/7 C
D394,422 S * 5/1998 Magee D12/328
D401,898 S * 12/1998 Lauder et al. D12/326
6,260,793 B1 * 7/2001 Balayn et al. 244/7 R
6,328,256 B1 * 12/2001 Ryan et al. 244/7 R
2008/0308682 A1 * 12/2008 Builta et al. 244/182
2012/0043412 A1 * 2/2012 Brunken 244/6

* cited by examiner

Primary Examiner — Martie K Holtje

(74) *Attorney, Agent, or Firm* — Bell Helicopter Textron Inc.

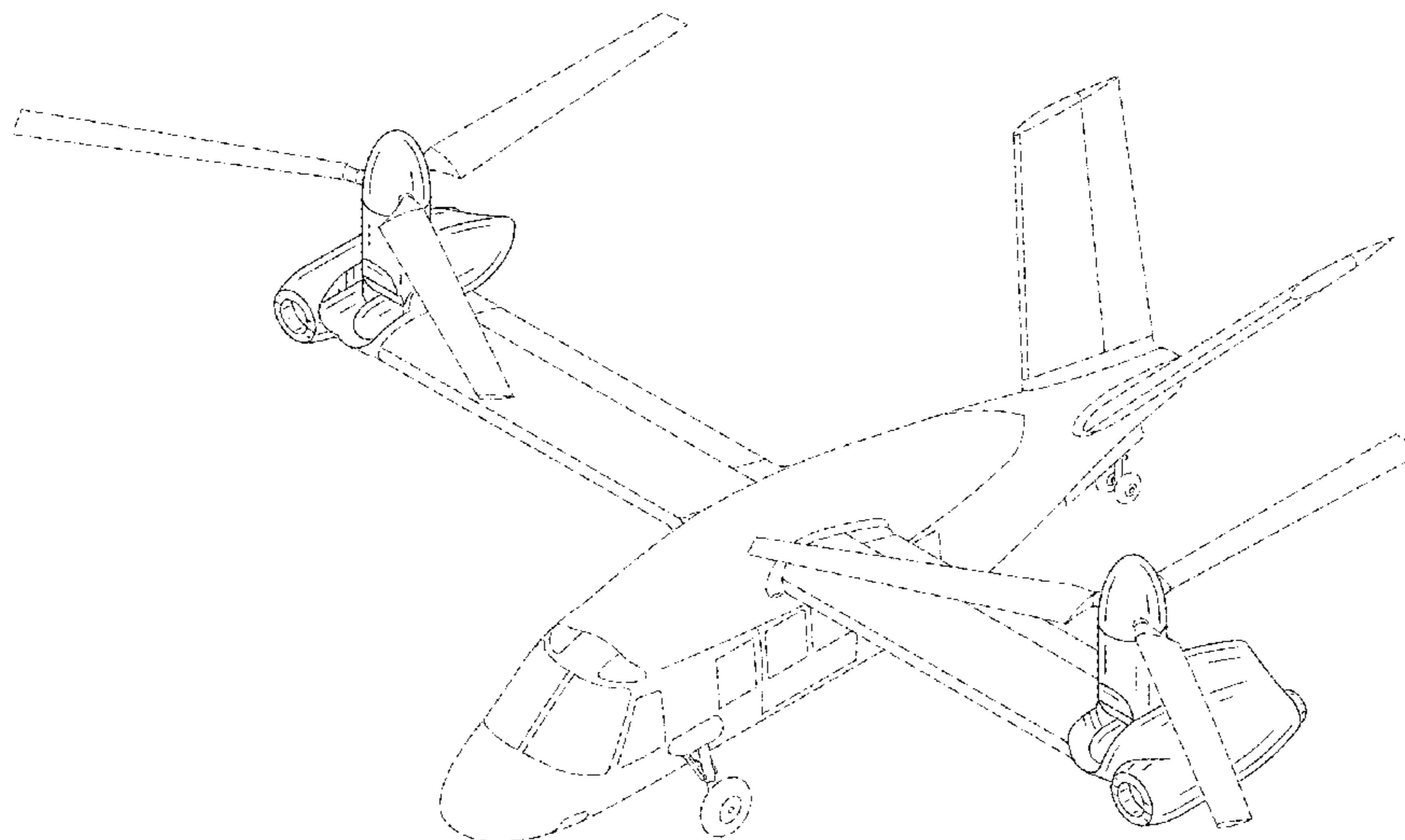
(57) **CLAIM**

The ornamental design for a tiltrotor aircraft with fixed engines, as shown and described.

DESCRIPTION

FIG. 1 is a front perspective view of the tiltrotor aircraft with fixed engines with the rotor nacelles facing upward;
FIG. 2 is a front elevational view thereof;
FIG. 3 is a rear elevational view thereof;
FIG. 4 is a right side elevational view thereof;
FIG. 5 is a left side elevational view thereof;
FIG. 6 is a top plan view thereof;
FIG. 7 is a bottom plan view thereof;
FIG. 8 is a front perspective view of the tiltrotor aircraft with fixed engines with the rotor nacelles facing forward;
FIG. 9 is a front elevational view of FIG. 8;
FIG. 10 is a rear elevational view of FIG. 8;
FIG. 11 is a right side elevational view of FIG. 8;
FIG. 12 is a left side elevational view of FIG. 8;
FIG. 13 is a top plan view of FIG. 8; and,
FIG. 14 is a bottom plan view of FIG. 8.

1 Claim, 11 Drawing Sheets



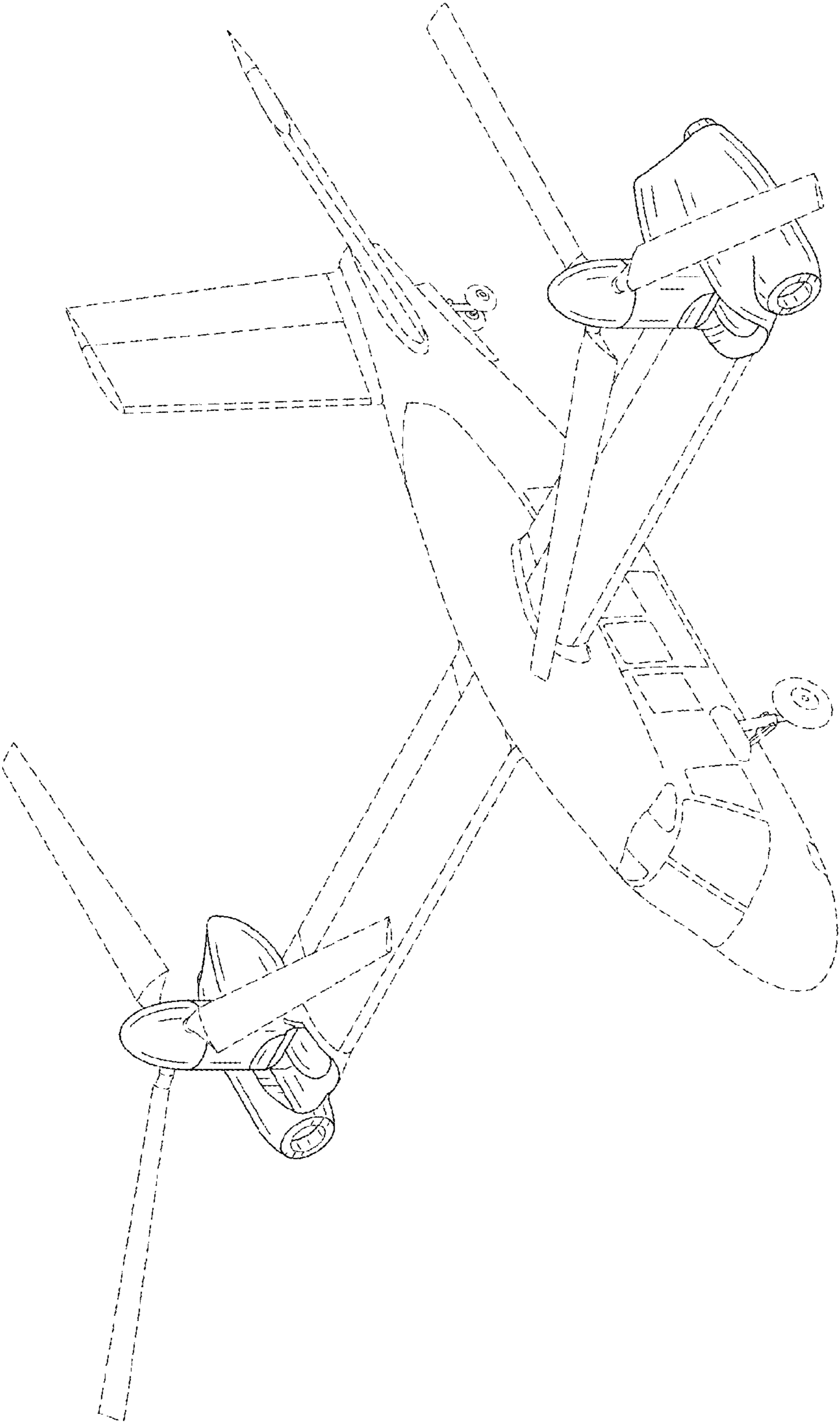


FIG. 1

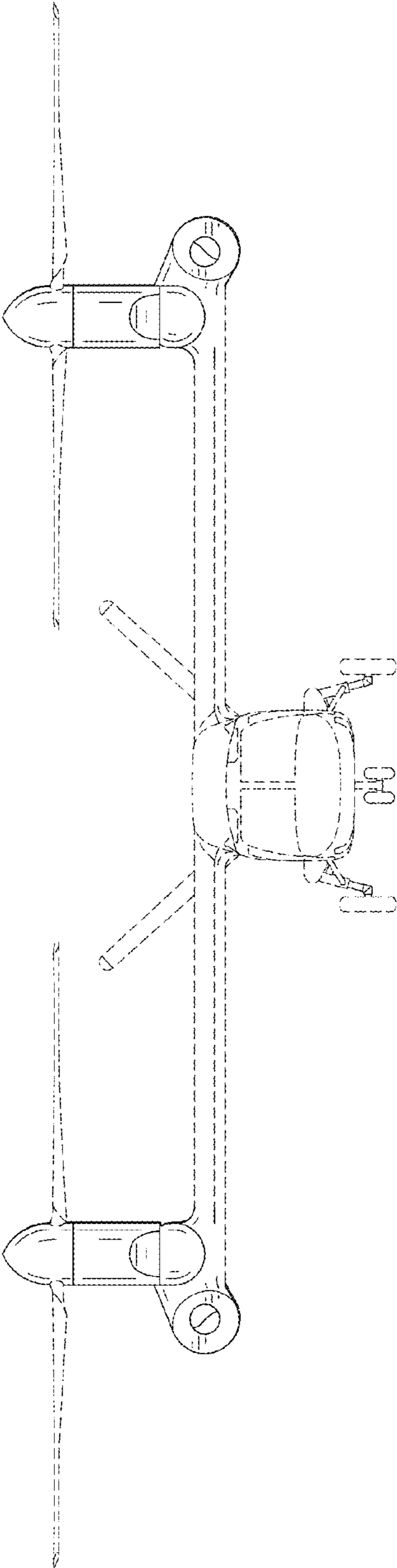


FIG. 2

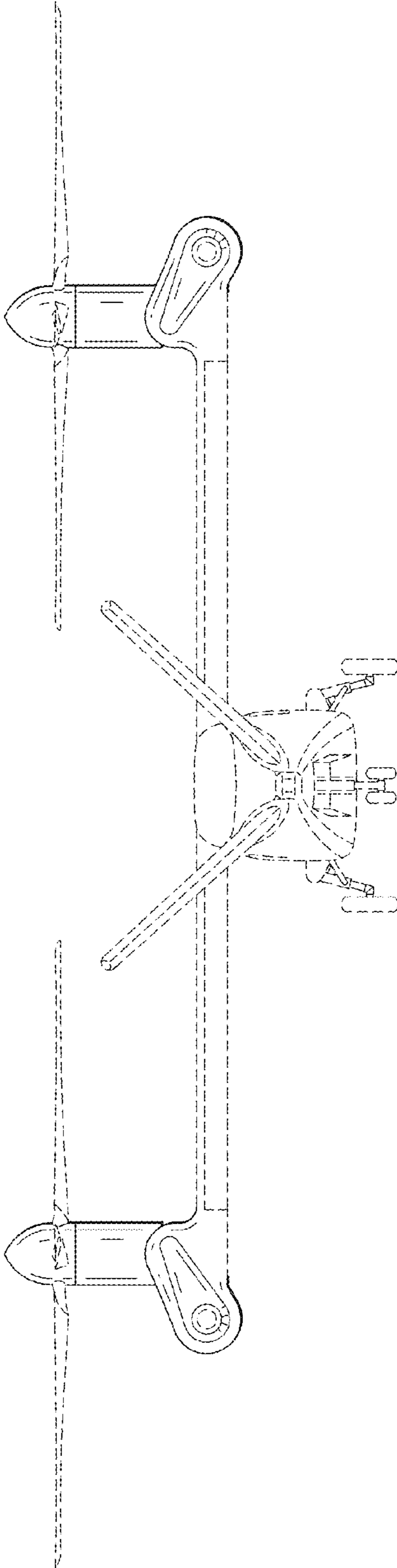


FIG. 3

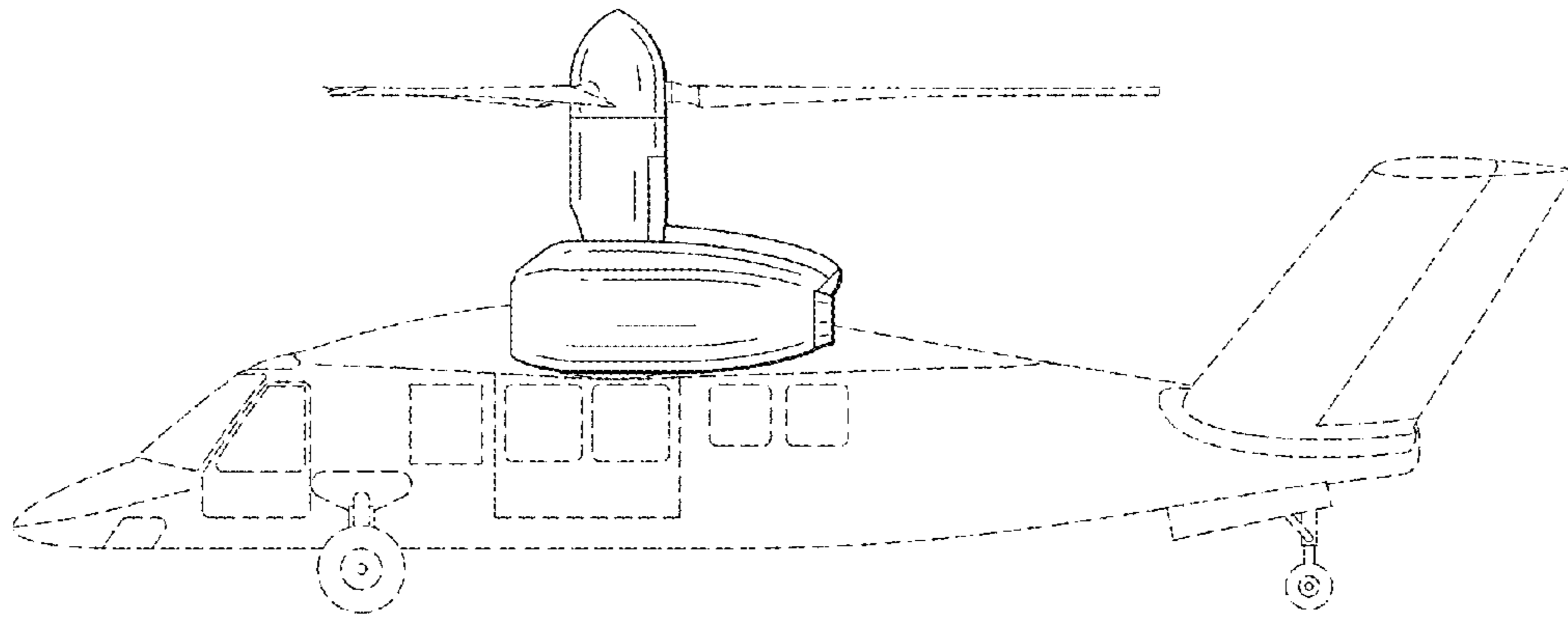


FIG. 4

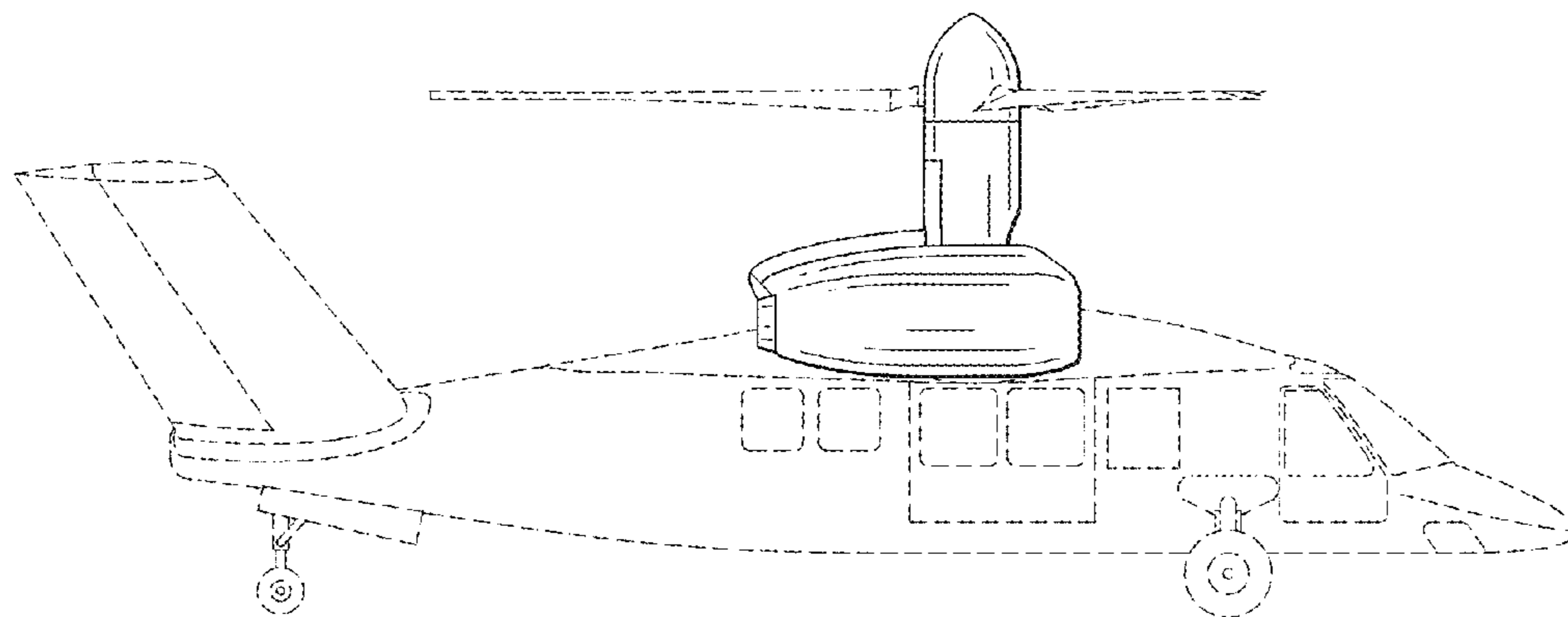


FIG. 5

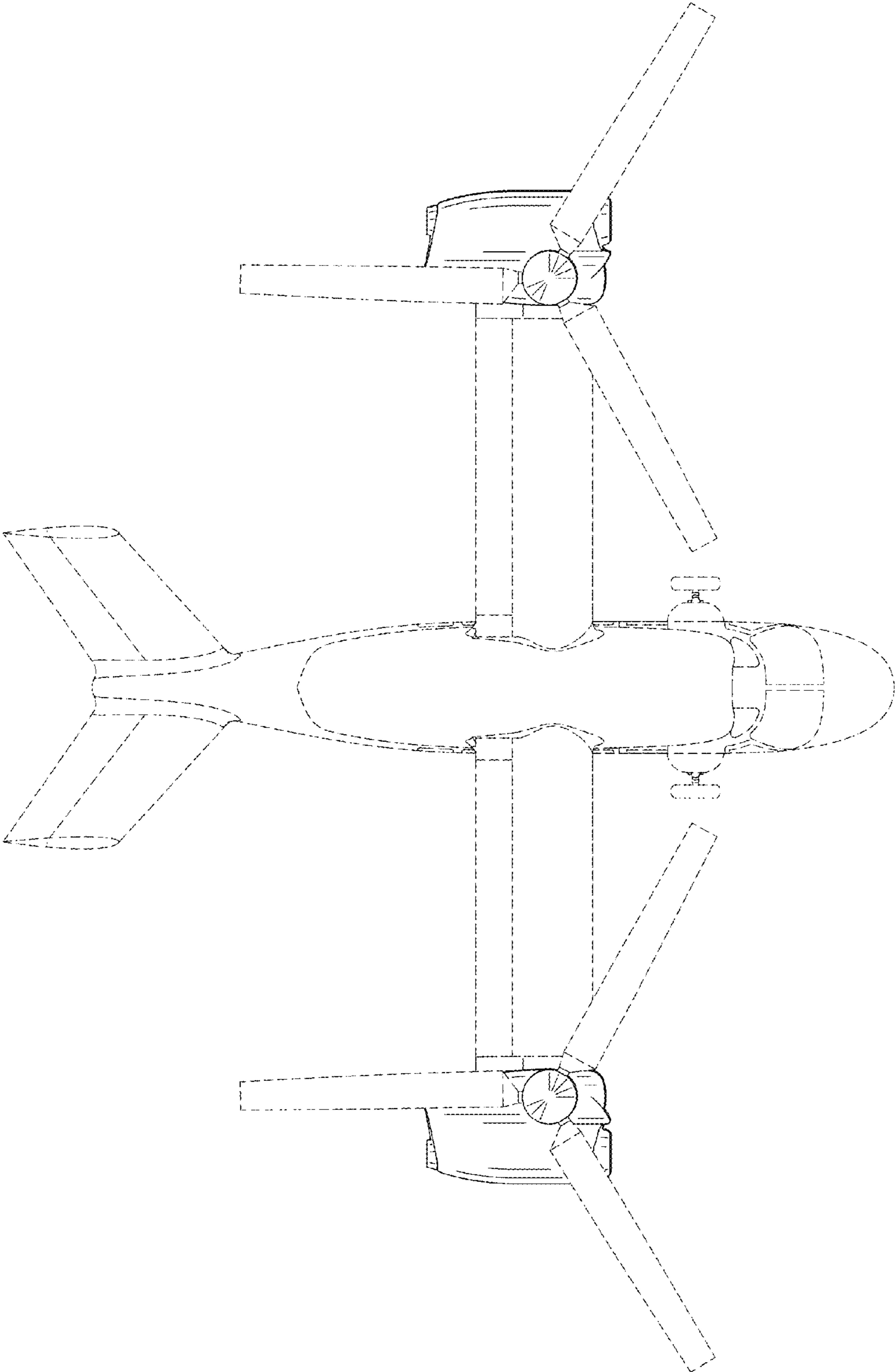


FIG. 6

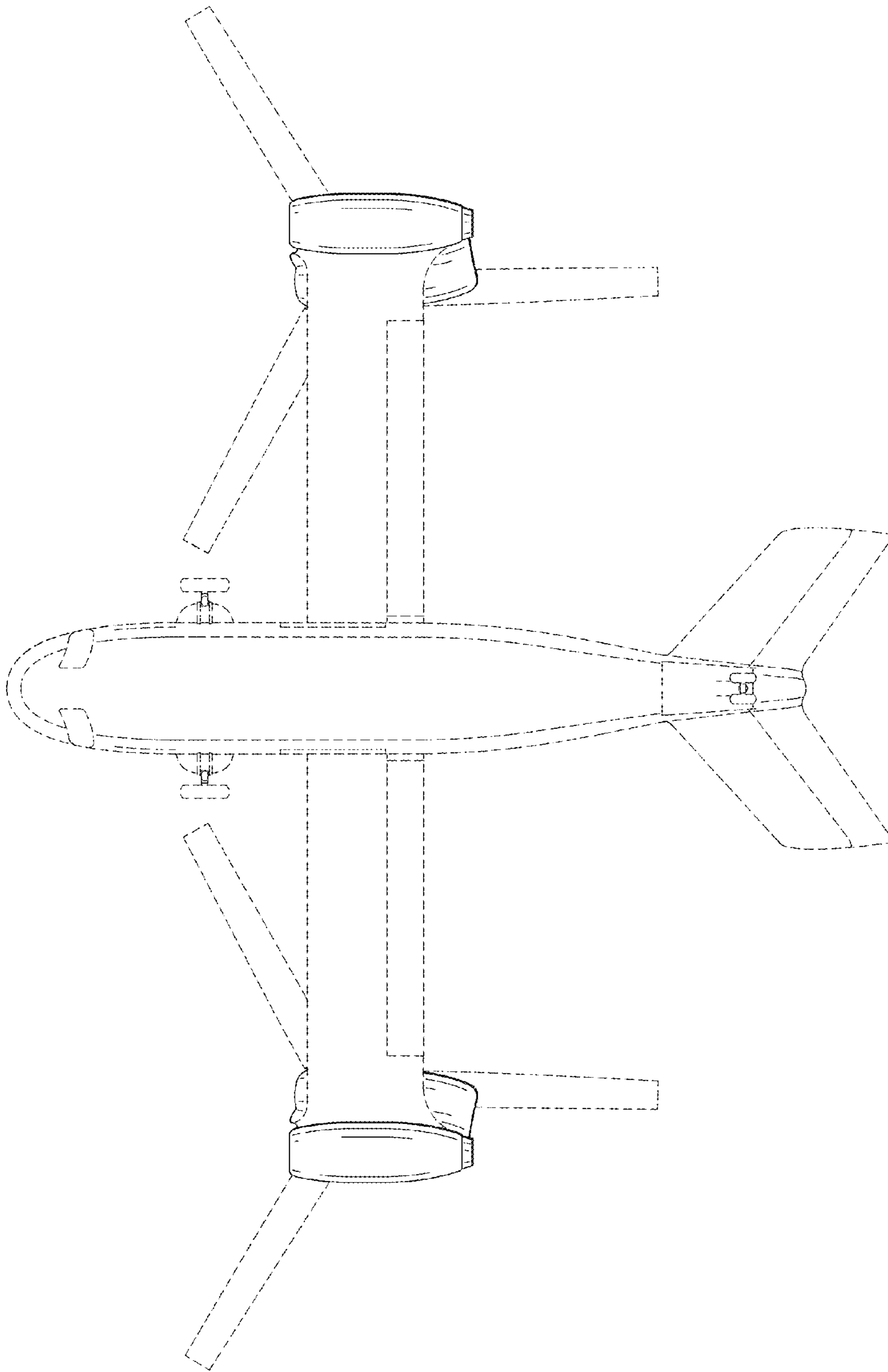


FIG. 7

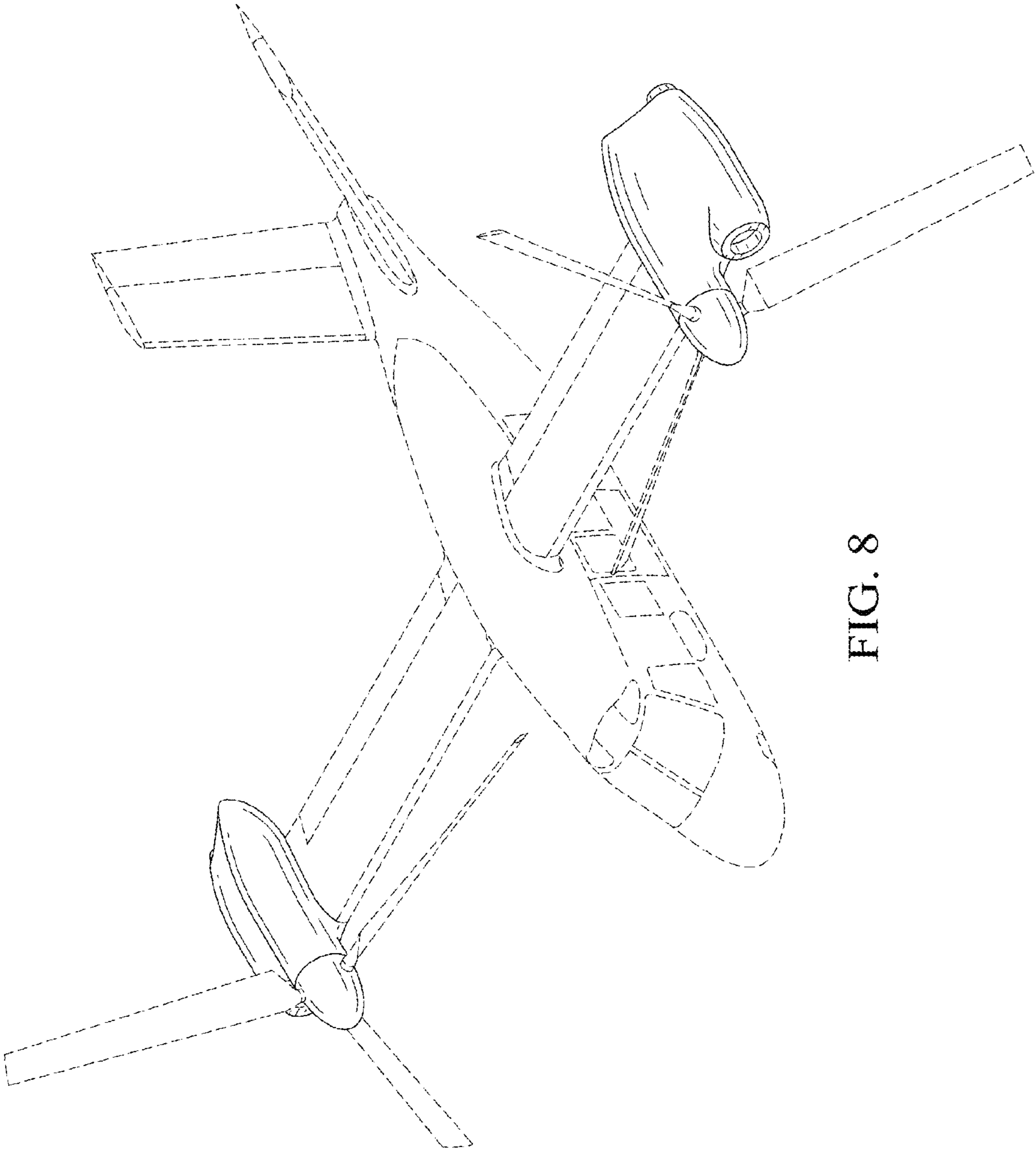


FIG. 8

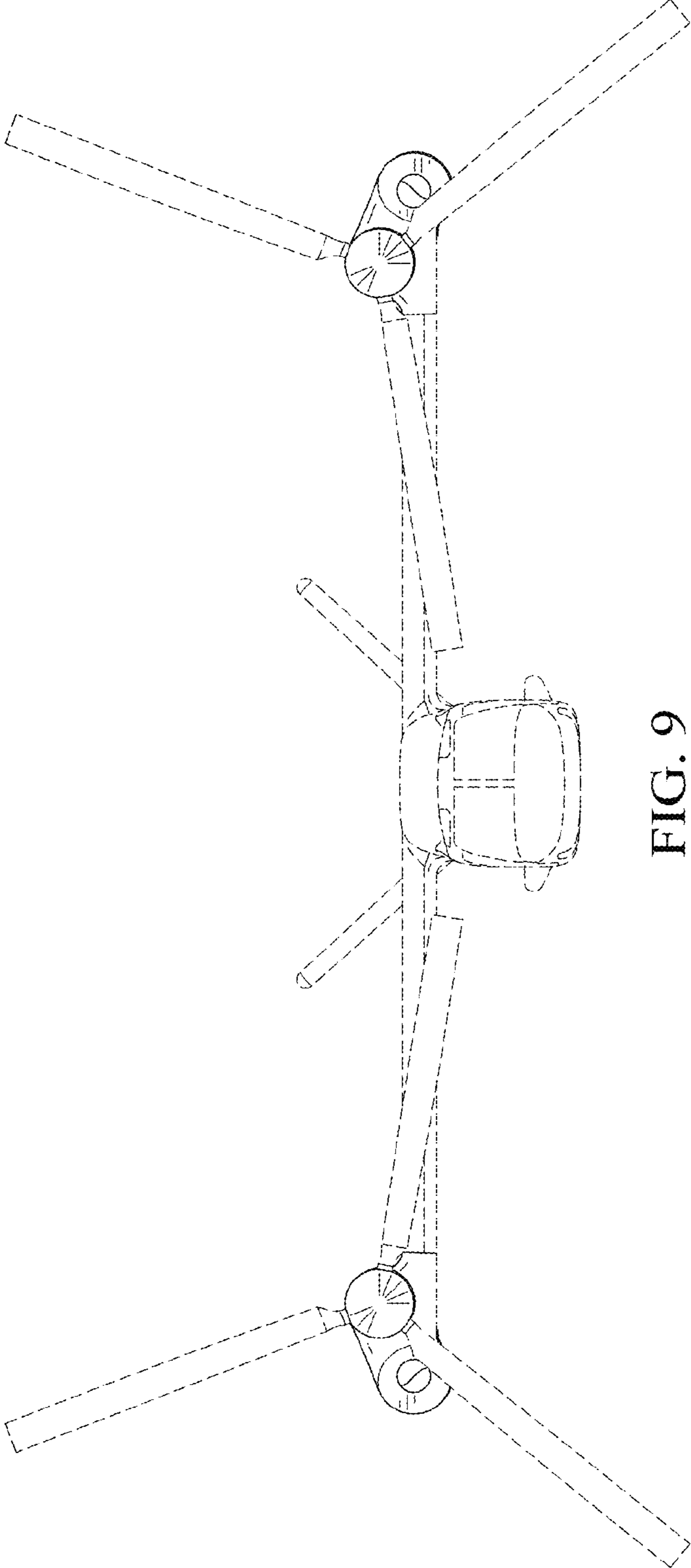


FIG. 9

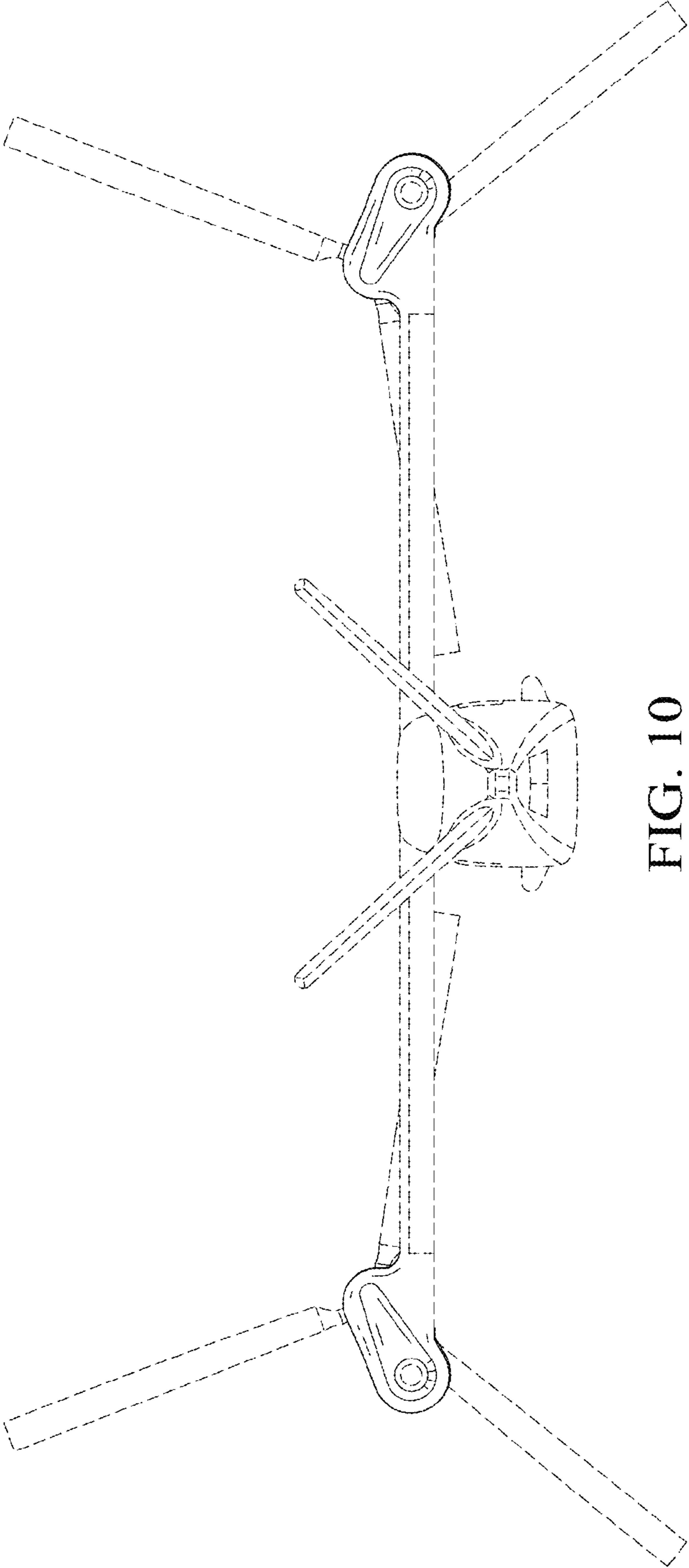


FIG. 10

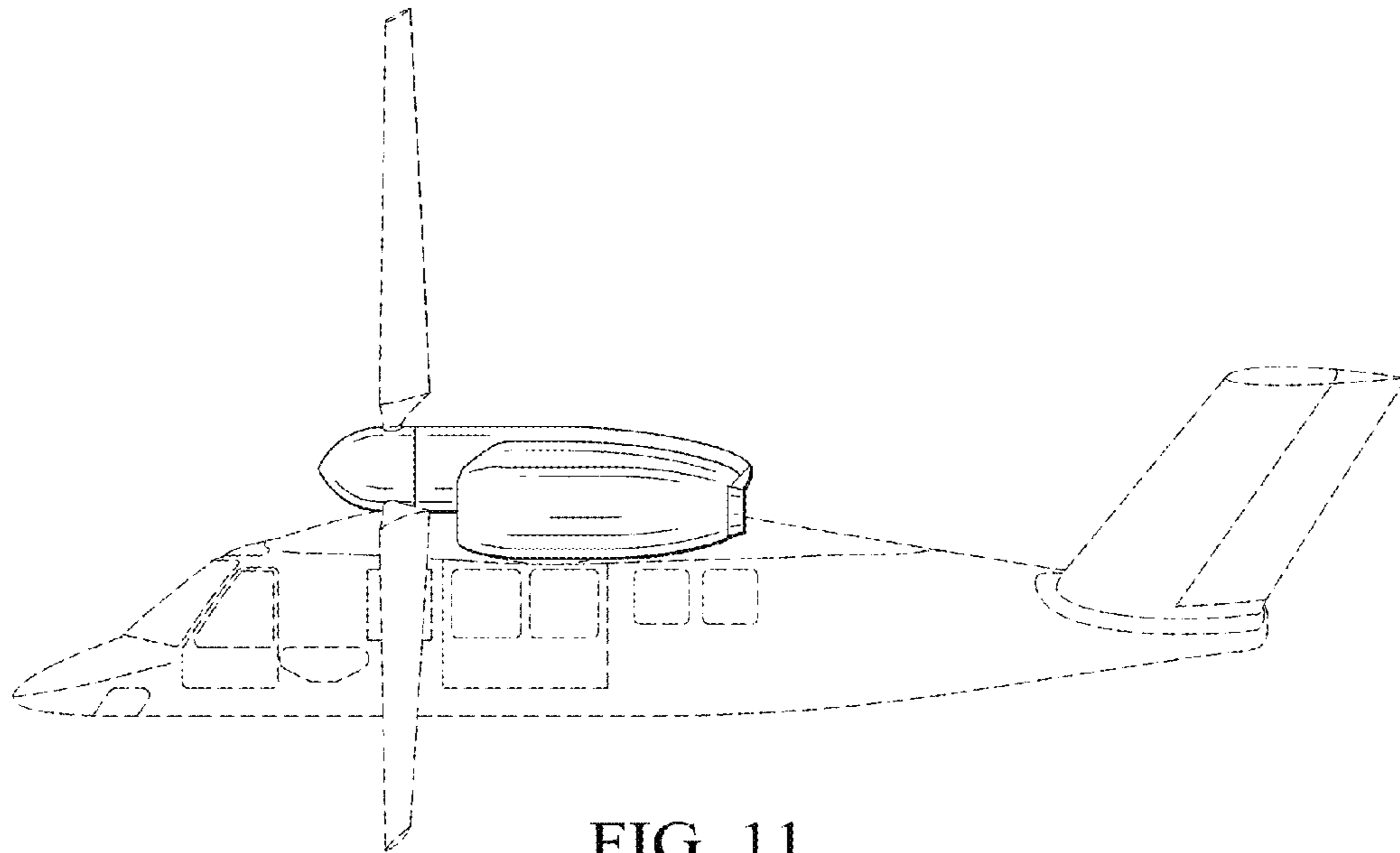


FIG. 11

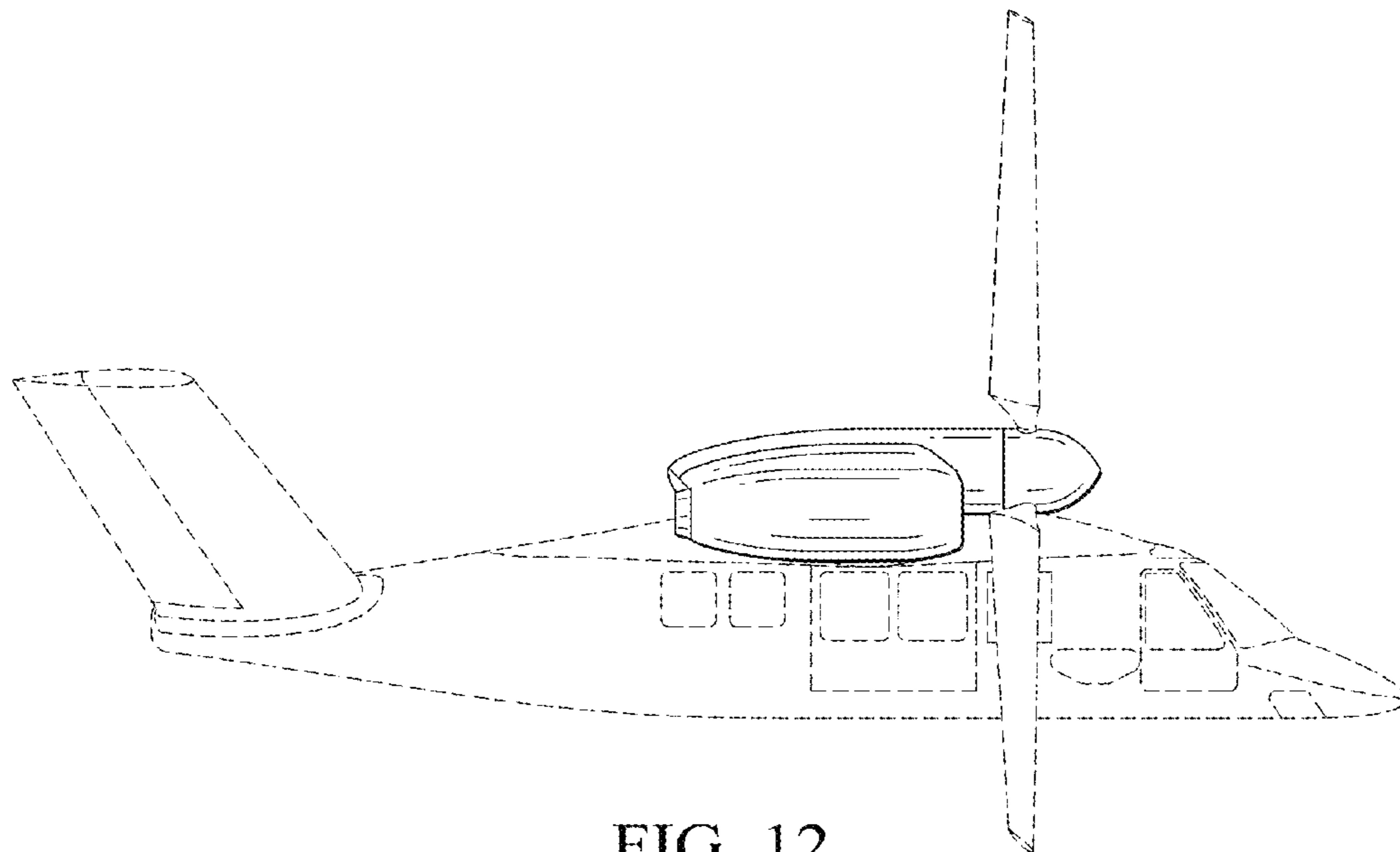


FIG. 12

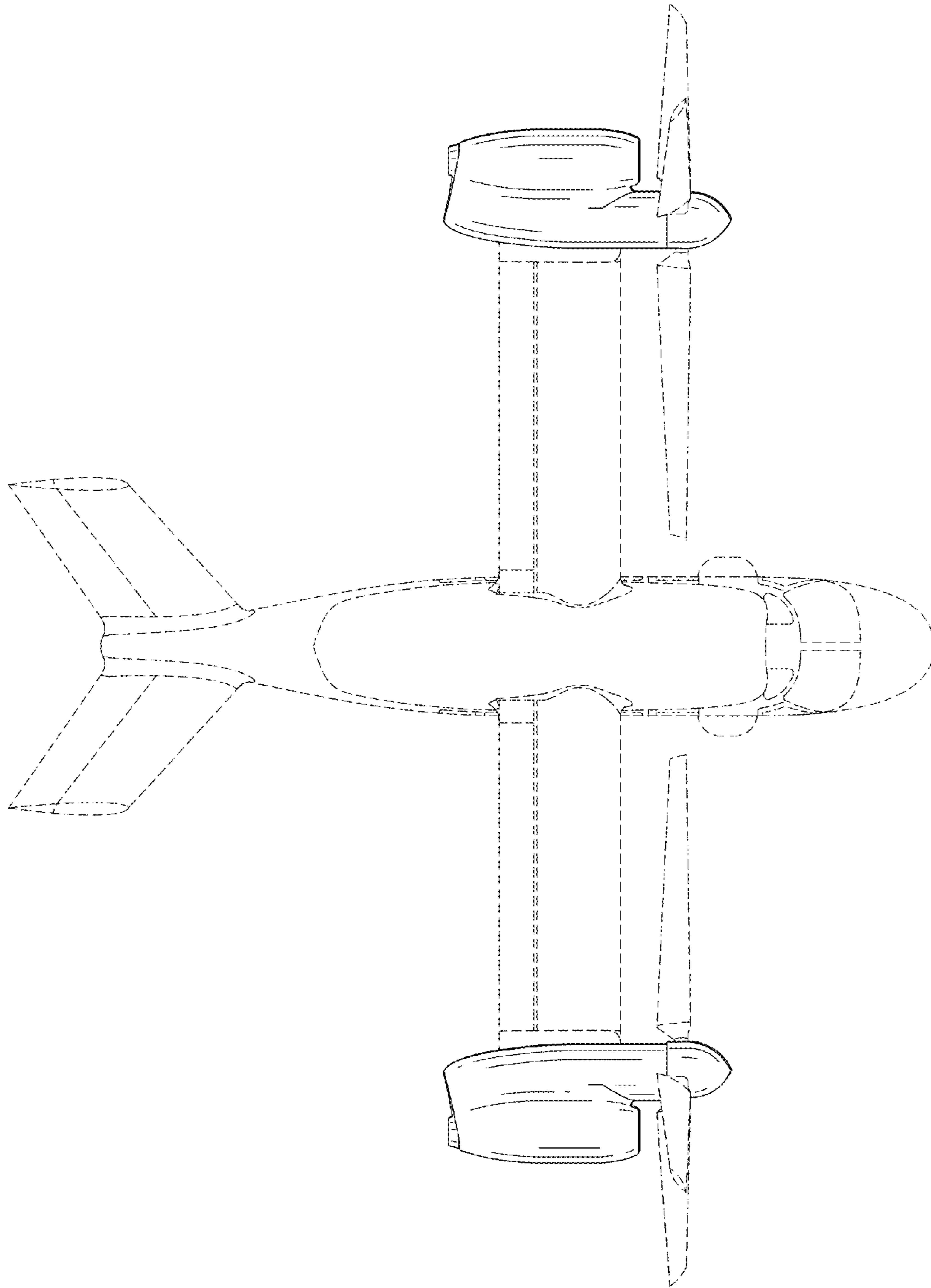


FIG. 13

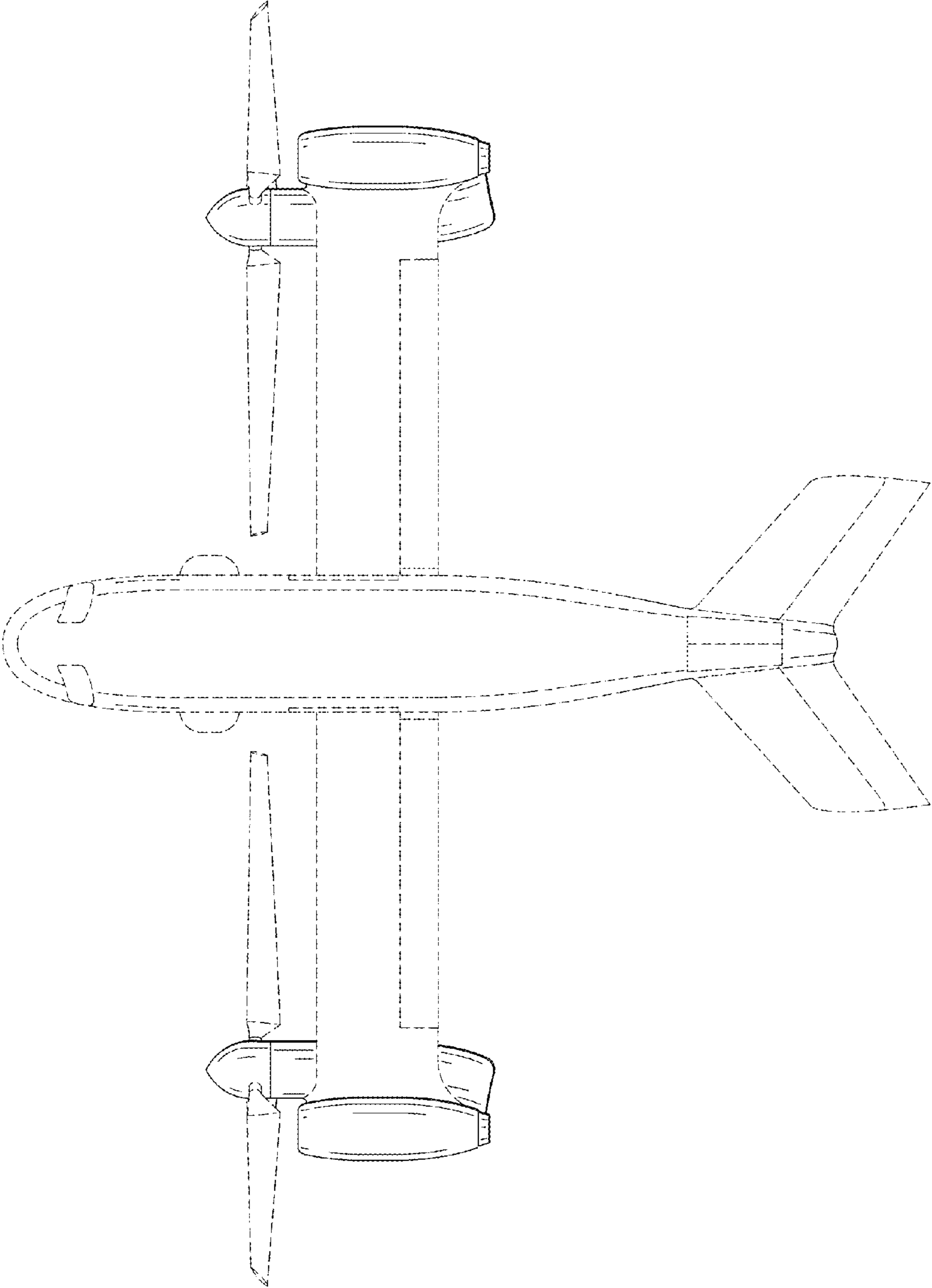


FIG. 14