



US00D731392S

(12) **United States Design Patent**
Bleie

(10) **Patent No.:** **US D731,392 S**

(45) **Date of Patent:** **** Jun. 9, 2015**

(54) **BOAT HULL**

(71) Applicant: **Sigmund Bleie**, Hosteland (NO)

(72) Inventor: **Sigmund Bleie**, Hosteland (NO)

(73) Assignee: **Maran Utvikling AS**, Hosteland (NO)

(**) Term: **14 Years**

(21) Appl. No.: **29/451,836**

(22) Filed: **Apr. 9, 2013**

(51) **LOC (10) Cl.** **12-06**

(52) **U.S. Cl.**
USPC **D12/300**

(58) **Field of Classification Search**
USPC D12/300, 314, 315, 302, 318; 114/271,
114/61.32, 288, 291, 61.33, 274, 356, 361,
114/61.26, 353, 354, 347; 440/3, 38, 40;
441/129; 135/115, 117
See application file for complete search history.

(56) **References Cited**

U.S. PATENT DOCUMENTS

3,698,409	A *	10/1972	Koontz et al.	114/361
4,362,519	A *	12/1982	Gault	114/353
4,903,626	A *	2/1990	Haines	114/291
4,915,048	A *	4/1990	Stanford	114/274
5,660,137	A *	8/1997	Manley	114/361
D408,347	S *	4/1999	Craddock	D12/300
6,615,762	B1 *	9/2003	Scott	114/353
7,299,764	B1 *	11/2007	Davis	114/291
8,316,788	B2 *	11/2012	Willis	114/347

2002/0100407	A1 *	8/2002	Biddison	114/271
2005/0166824	A1 *	8/2005	Waits	114/288
2007/0261627	A1 *	11/2007	Davis	114/291
2012/0067266	A1 *	3/2012	Moore et al.	114/271

* cited by examiner

Primary Examiner — Robert M Spear

Assistant Examiner — Ryan Harvey

(74) *Attorney, Agent, or Firm* — Francis C. Hand; Carella, Byrne, et al

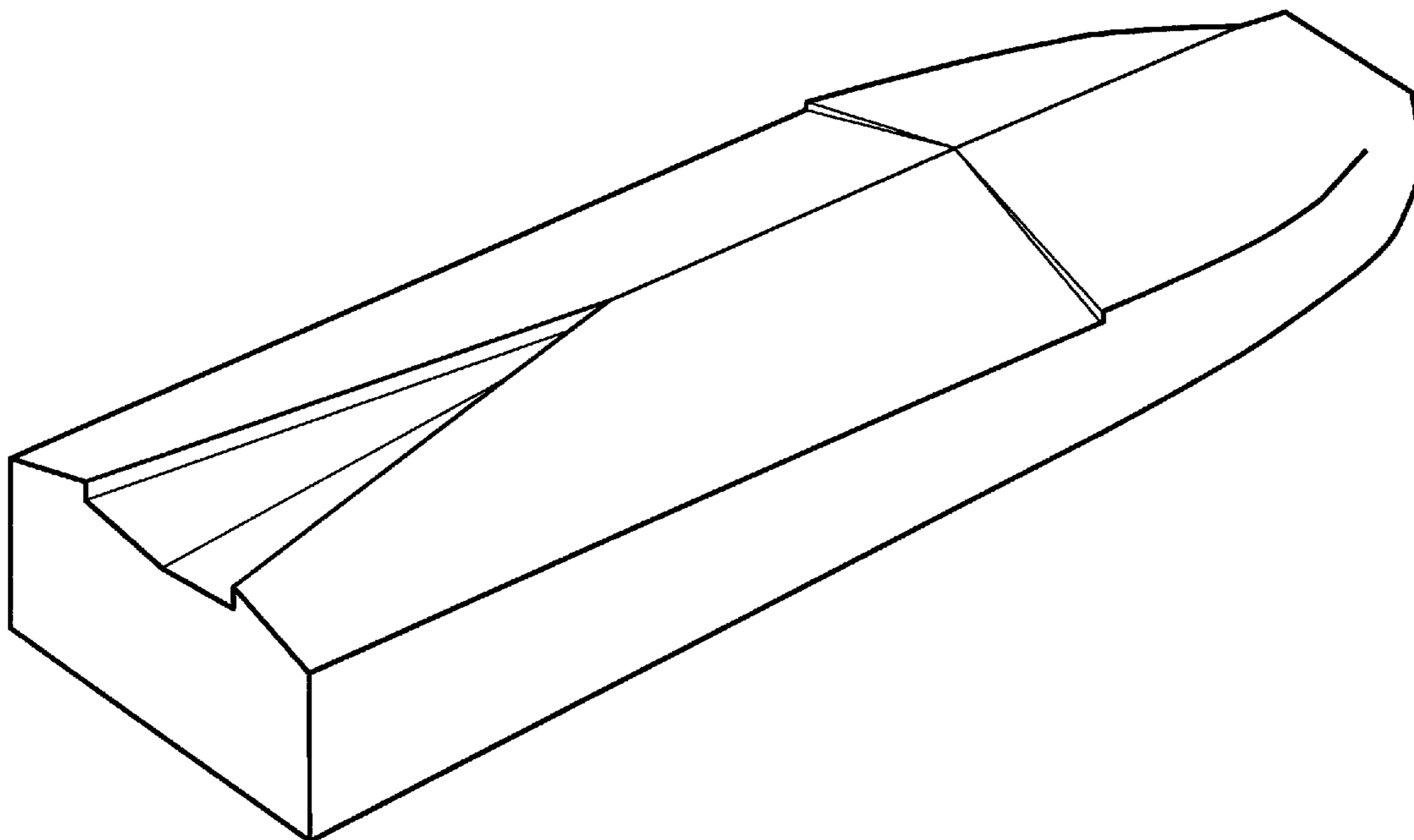
(57) **CLAIM**

The ornamental design of a boat hull, as shown and described.

DESCRIPTION

FIG. 1 illustrates a perspective bottom view of a boat hull in accordance with the invention;
 FIG. 2 illustrates a bottom view of the boat hull of FIG. 1;
 FIG. 3 illustrates a front view of the boat hull of FIG. 1;
 FIG. 4 illustrates a back view of the boat hull of FIG. 1;
 FIG. 5 illustrates a left side view of the boat hull of FIG. 1, the right side view of which is a mirror image;
 FIG. 6 illustrates a top perspective view from behind of the boat hull of FIG. 1;
 FIG. 7 illustrates a perspective bottom view of a second embodiment of a boat hull in accordance with the invention;
 FIG. 8 illustrates a bottom view of the boat hull of FIG. 7;
 FIG. 9 illustrates a front view of the boat hull of FIG. 7;
 FIG. 10 illustrates a back view of the boat hull of FIG. 7;
 FIG. 11 illustrates a left side view of the boat hull of FIG. 7, the right side view of which is a mirror image; and,
 FIG. 12 illustrates a top perspective view from behind of the boat hull of FIG. 7.

1 Claim, 6 Drawing Sheets



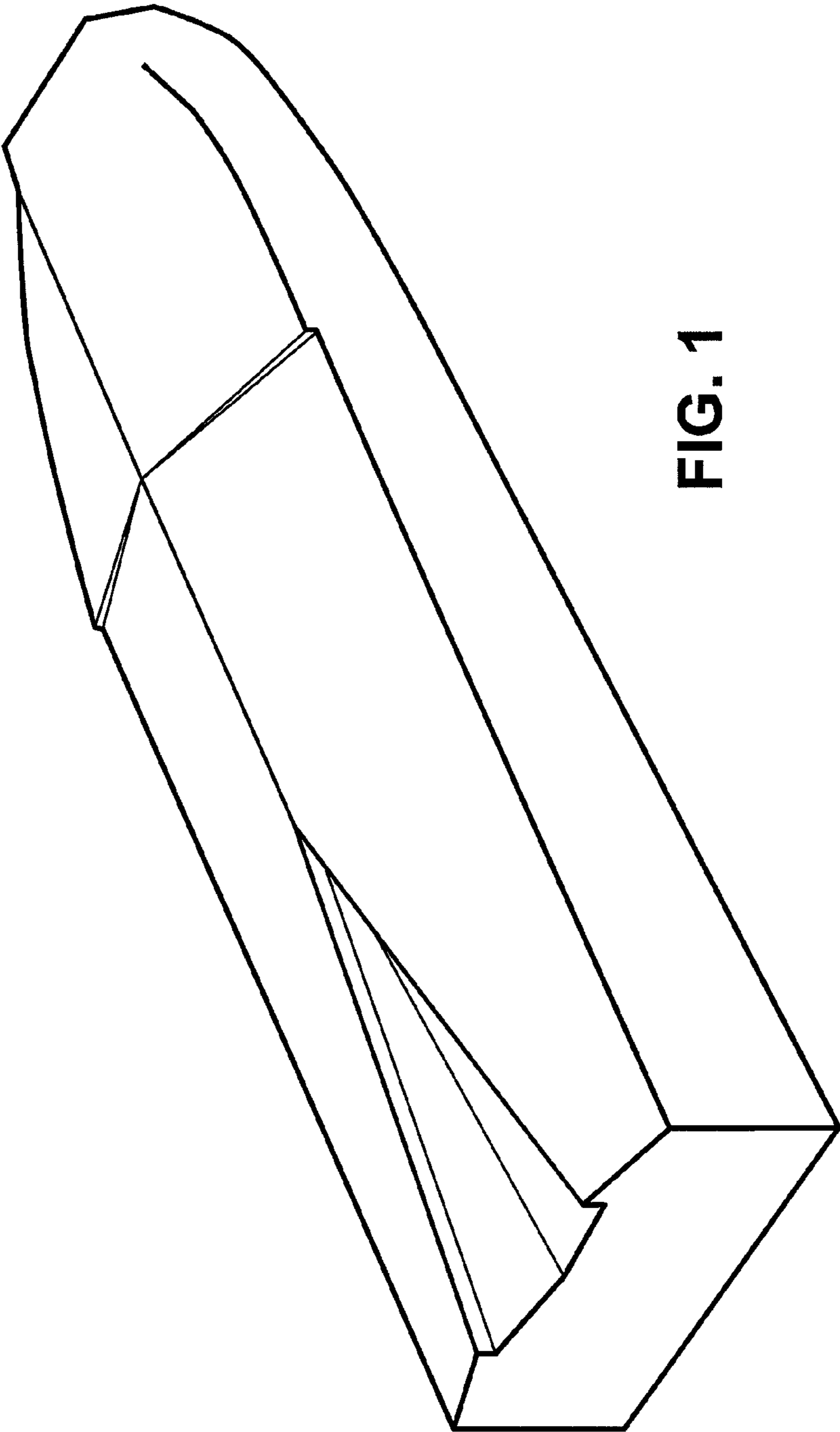


FIG. 1

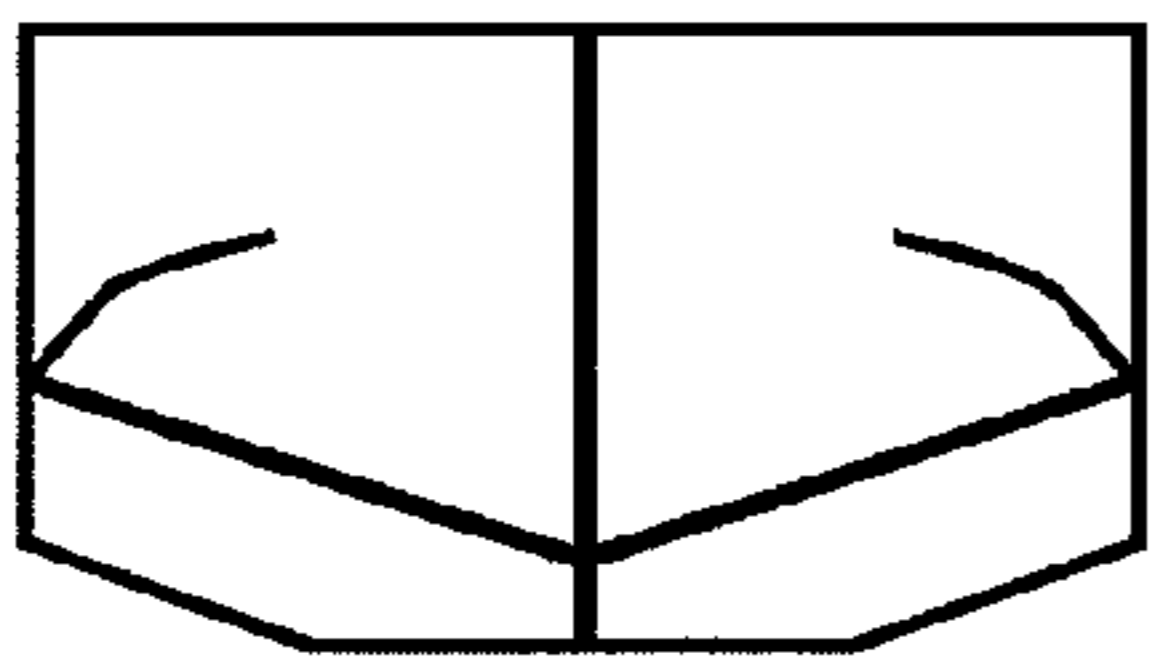


FIG. 3

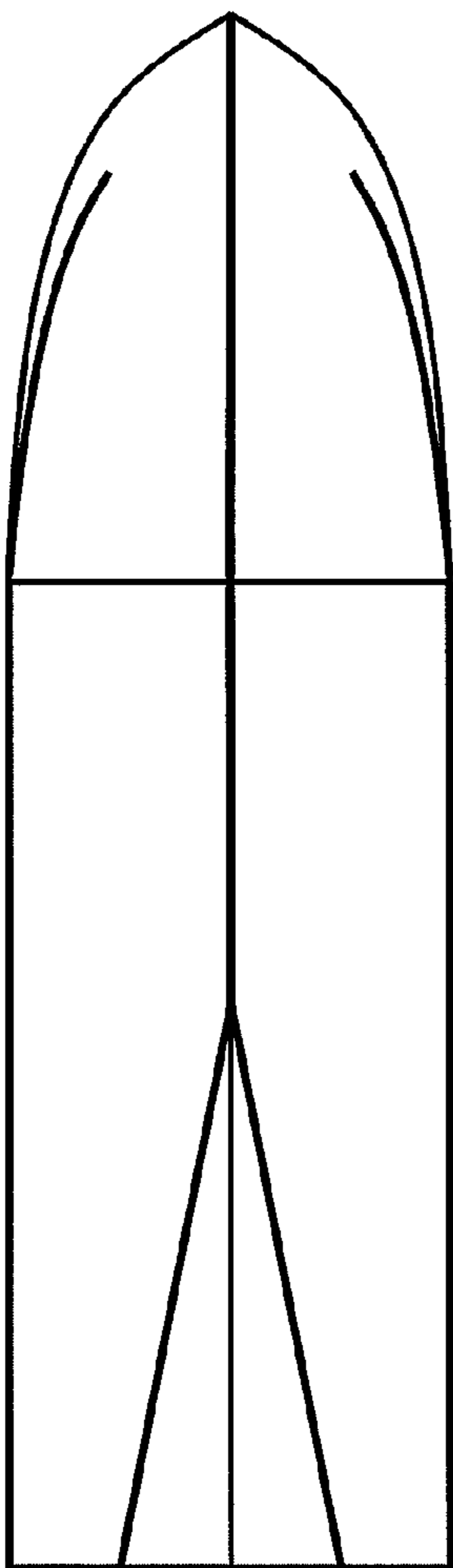


FIG. 2

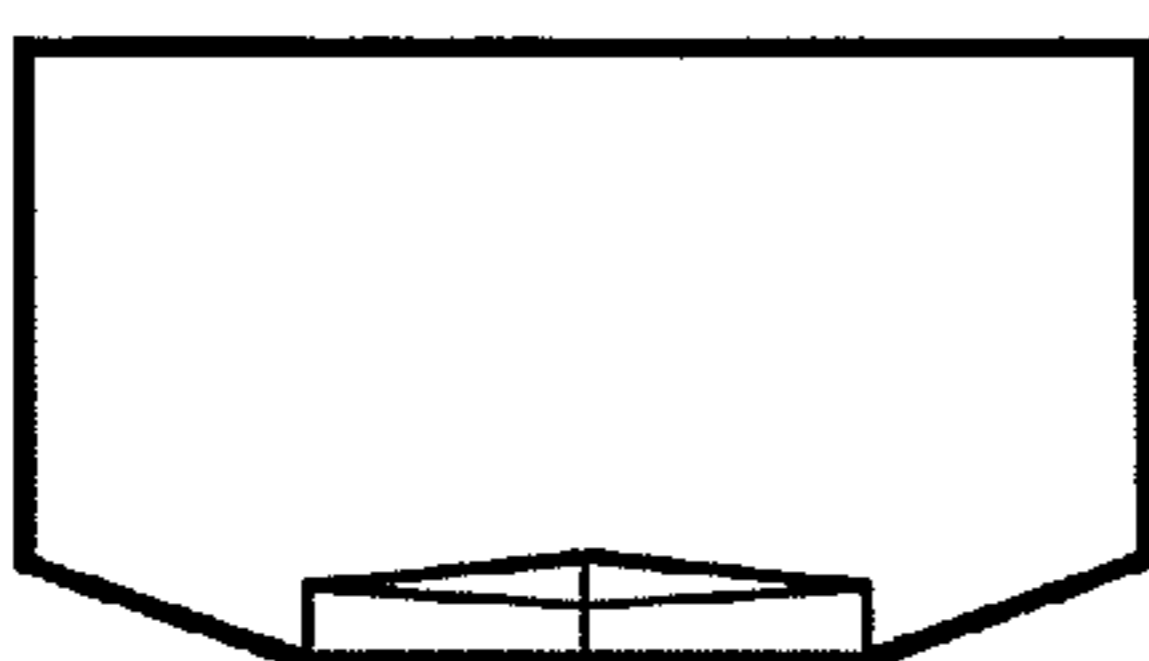


FIG. 4

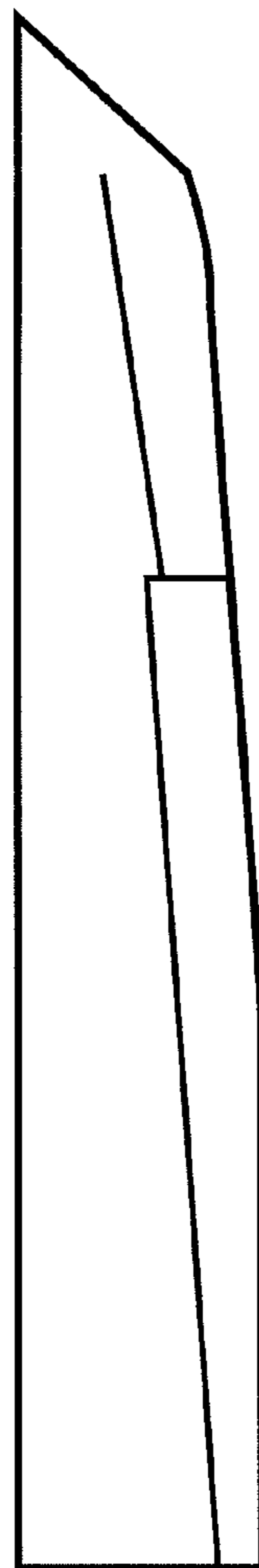


FIG. 5

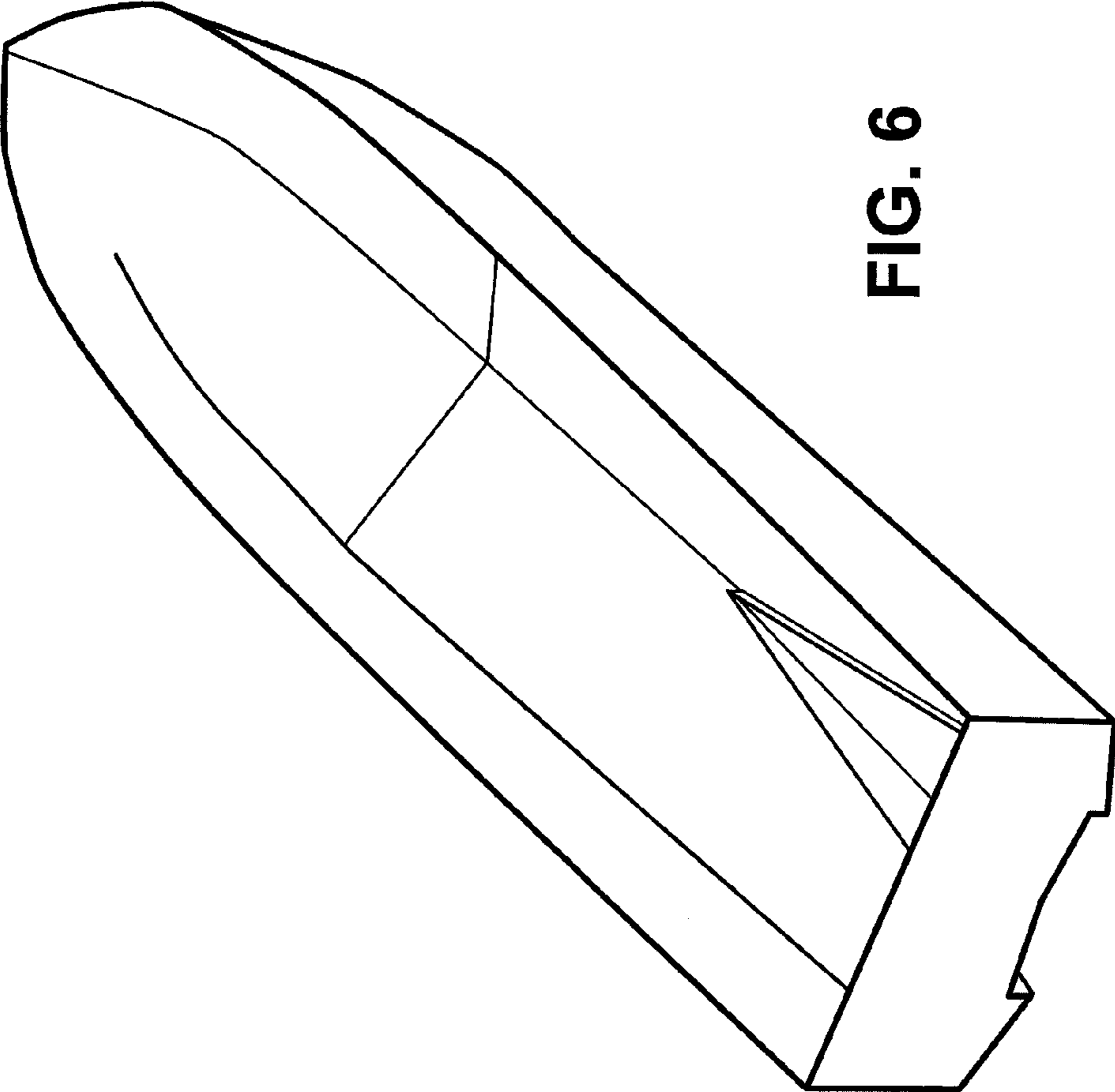


FIG. 6

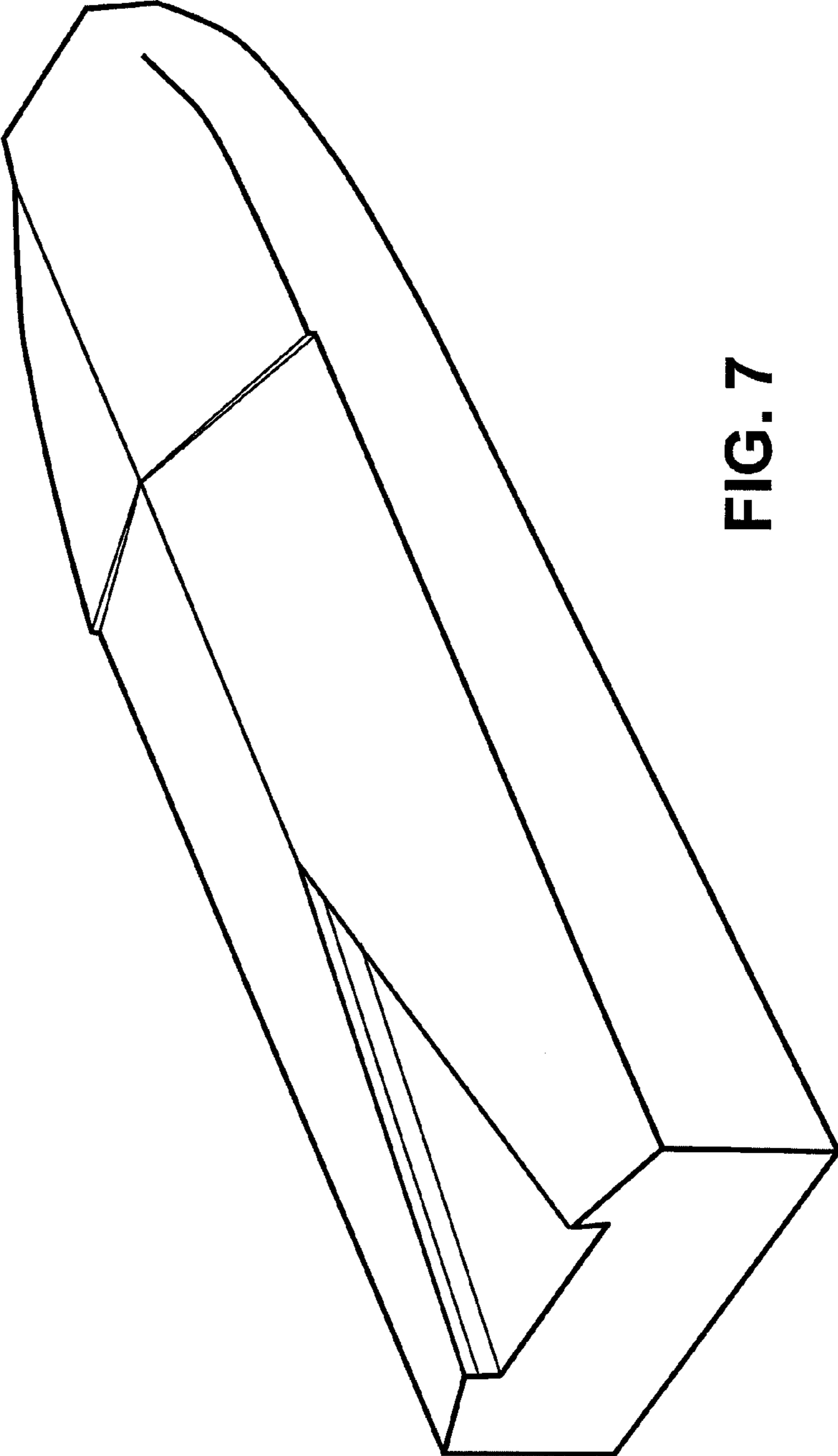


FIG. 7

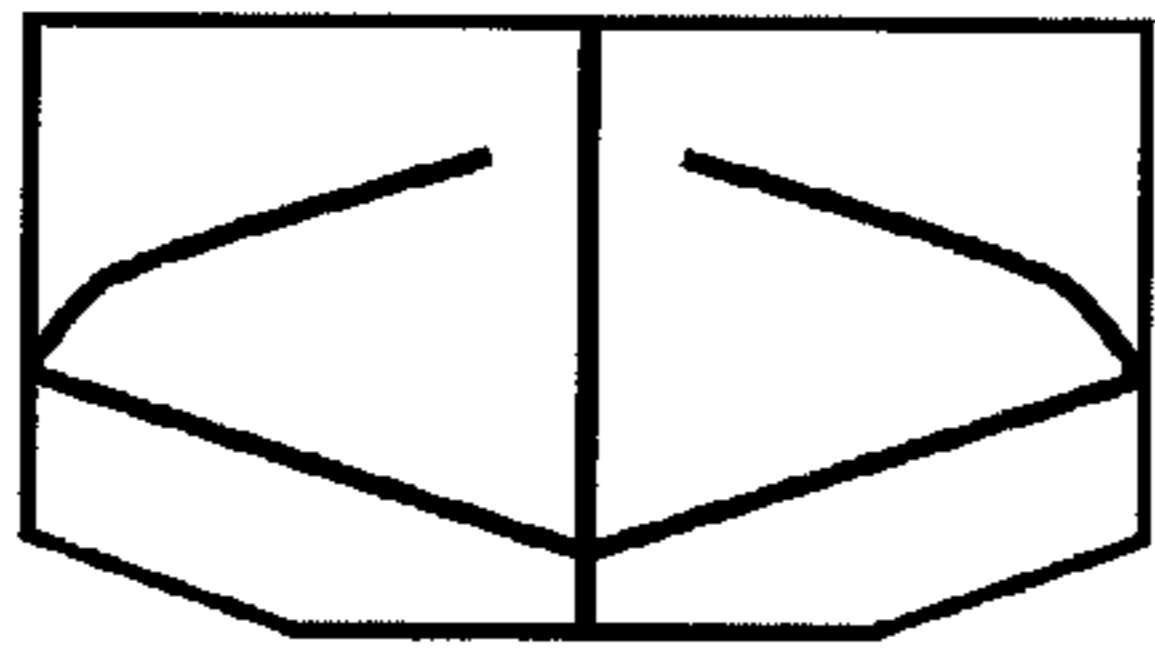


FIG. 9

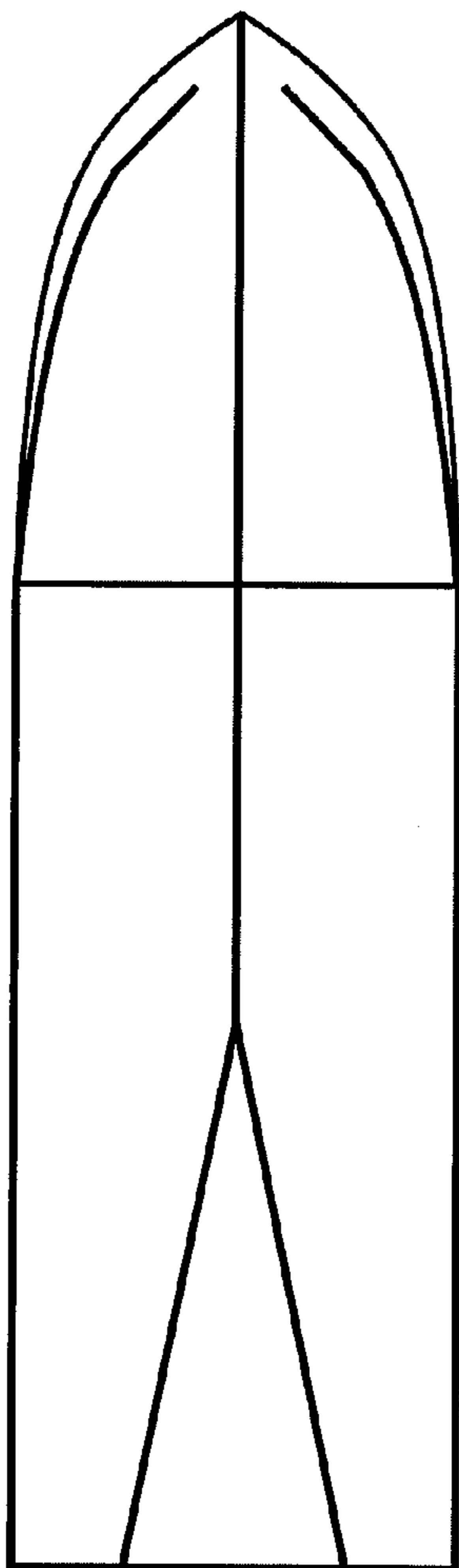


FIG. 8

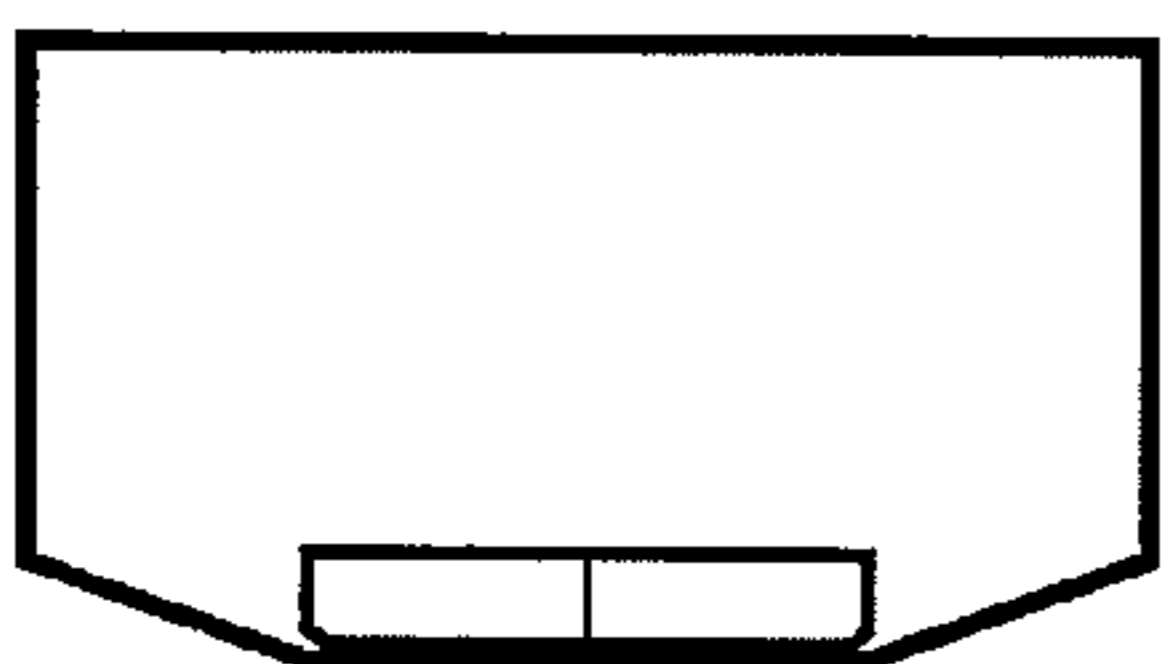


FIG. 10

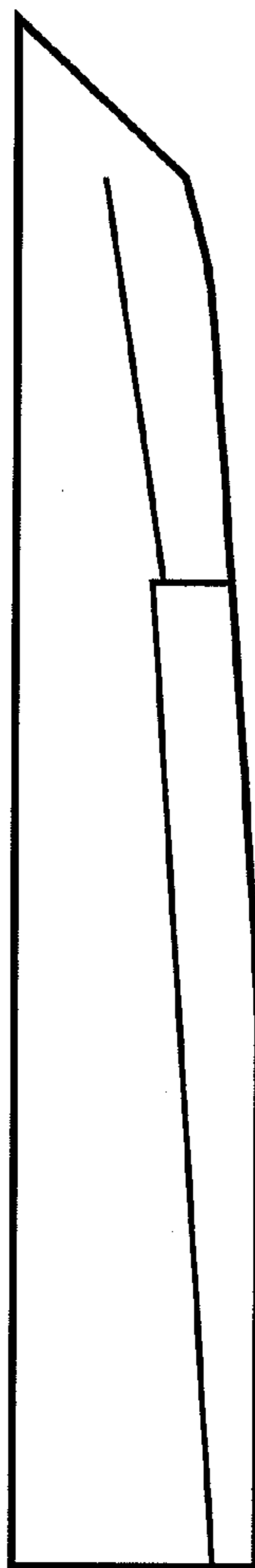


FIG. 11

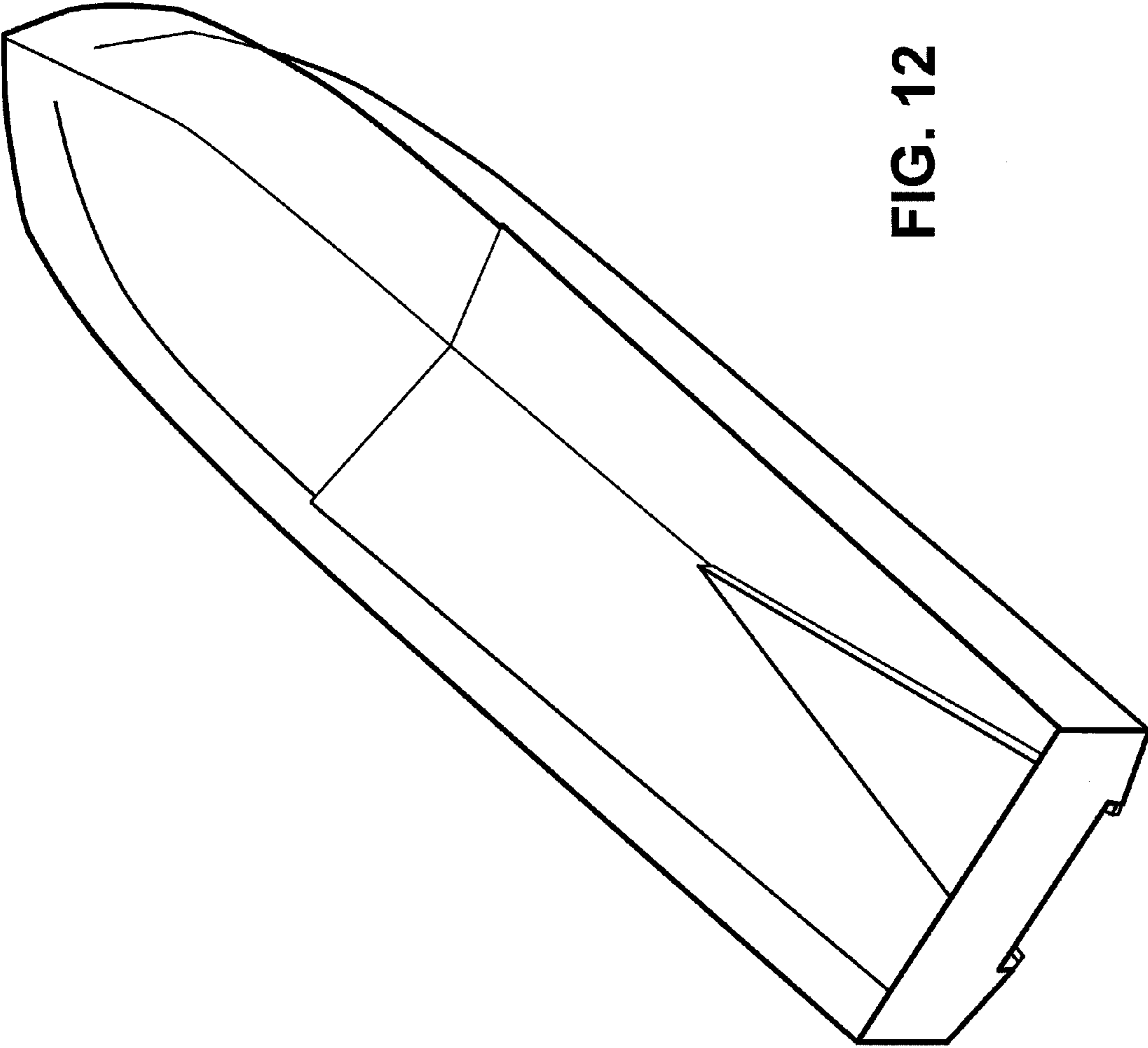


FIG. 12