



US00D731389S

(12) **United States Design Patent**
Gotschke et al.

(10) **Patent No.:** **US D731,389 S**
(45) **Date of Patent:** **** Jun. 9, 2015**

(54) **VEHICLE WHEEL**

(71) Applicant: **Ford Motor Company**, Dearborn, MI (US)

(72) Inventors: **Wolfgang Gotschke**, Cologne (DE);
Ulrike Kolb, Cologne (DE)

(73) Assignee: **Ford Motor Company**, Dearborn, MI (US)

(**) Term: **14 Years**

(21) Appl. No.: **29/482,057**

(22) Filed: **Feb. 13, 2014**

(51) **LOC (10) Cl.** **12-16**

(52) **U.S. Cl.**
USPC **D12/211**

(58) **Field of Classification Search**
USPC D12/204–213

CPC B60B 7/00; B60B 7/02; B60B 7/04;
B60B 7/01; B60B 7/06; B60B 3/02; B60B 3/04;
B60B 3/06; B60B 3/10; B60B 1/00;
B60B 1/08; B60B 1/10; B60B 1/12

See application file for complete search history.

(56) **References Cited**

U.S. PATENT DOCUMENTS

D453,134 S *	1/2002	Murkett et al.	D12/209
D506,717 S *	6/2005	Gallert	D12/209
D524,220 S *	7/2006	Scheu	D12/211
D539,724 S *	4/2007	Muzzarelli et al.	D12/211
D629,346 S *	12/2010	Szews	D12/211
D638,771 S *	5/2011	Chung	D12/211
D646,212 S *	10/2011	Ettensberger	D12/211
D648,254 S *	11/2011	Barry	D12/209
D669,008 S *	10/2012	von Holzhausen et al. .	D12/211
D673,100 S *	12/2012	Mueller-Stolz	D12/211
D682,179 S *	5/2013	Badstuebner	D12/211
D721,028 S *	1/2015	Lemke	D12/211

* cited by examiner

Primary Examiner — Stacia Cadmus

(74) *Attorney, Agent, or Firm* — Damian Porcari

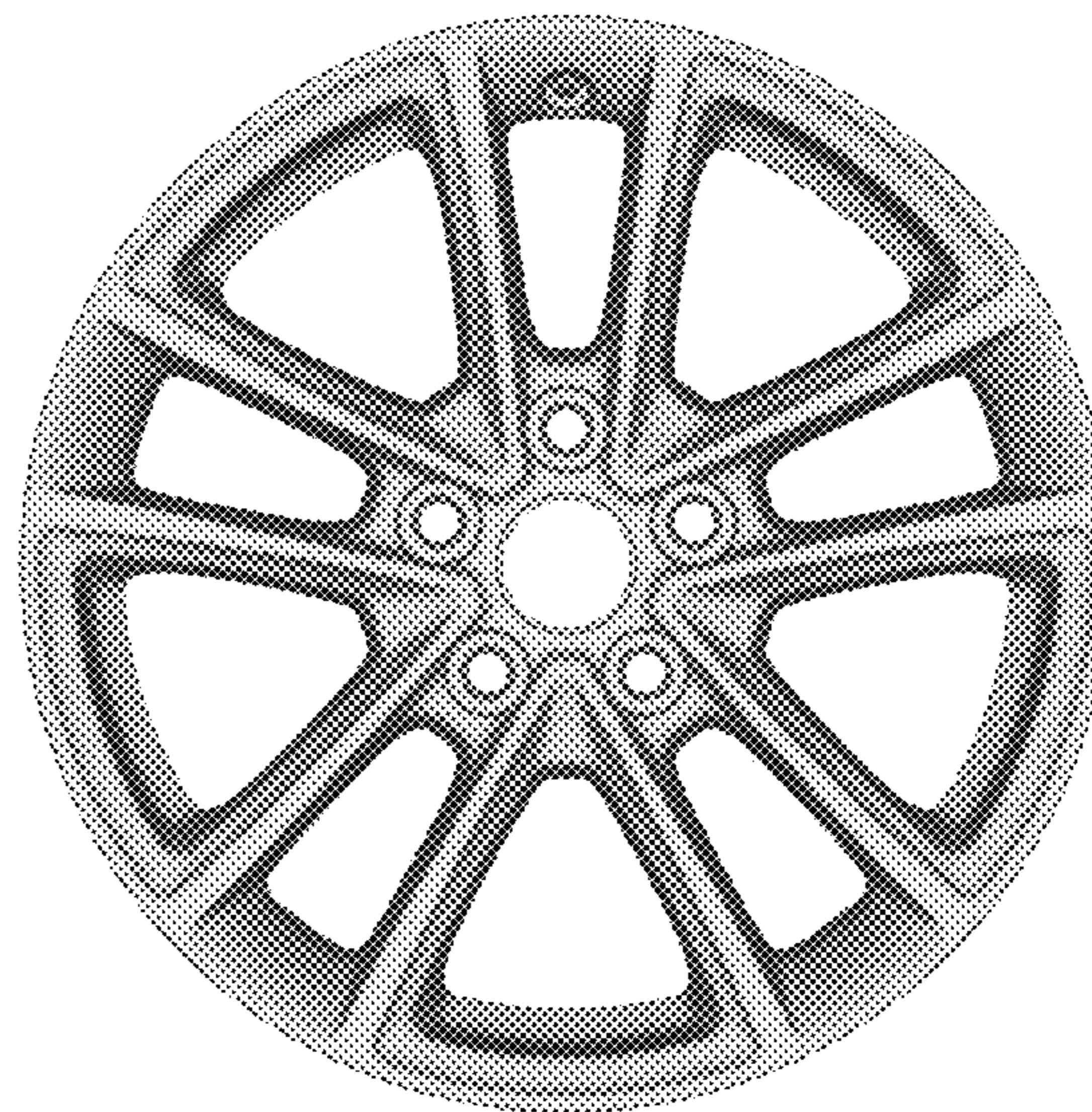
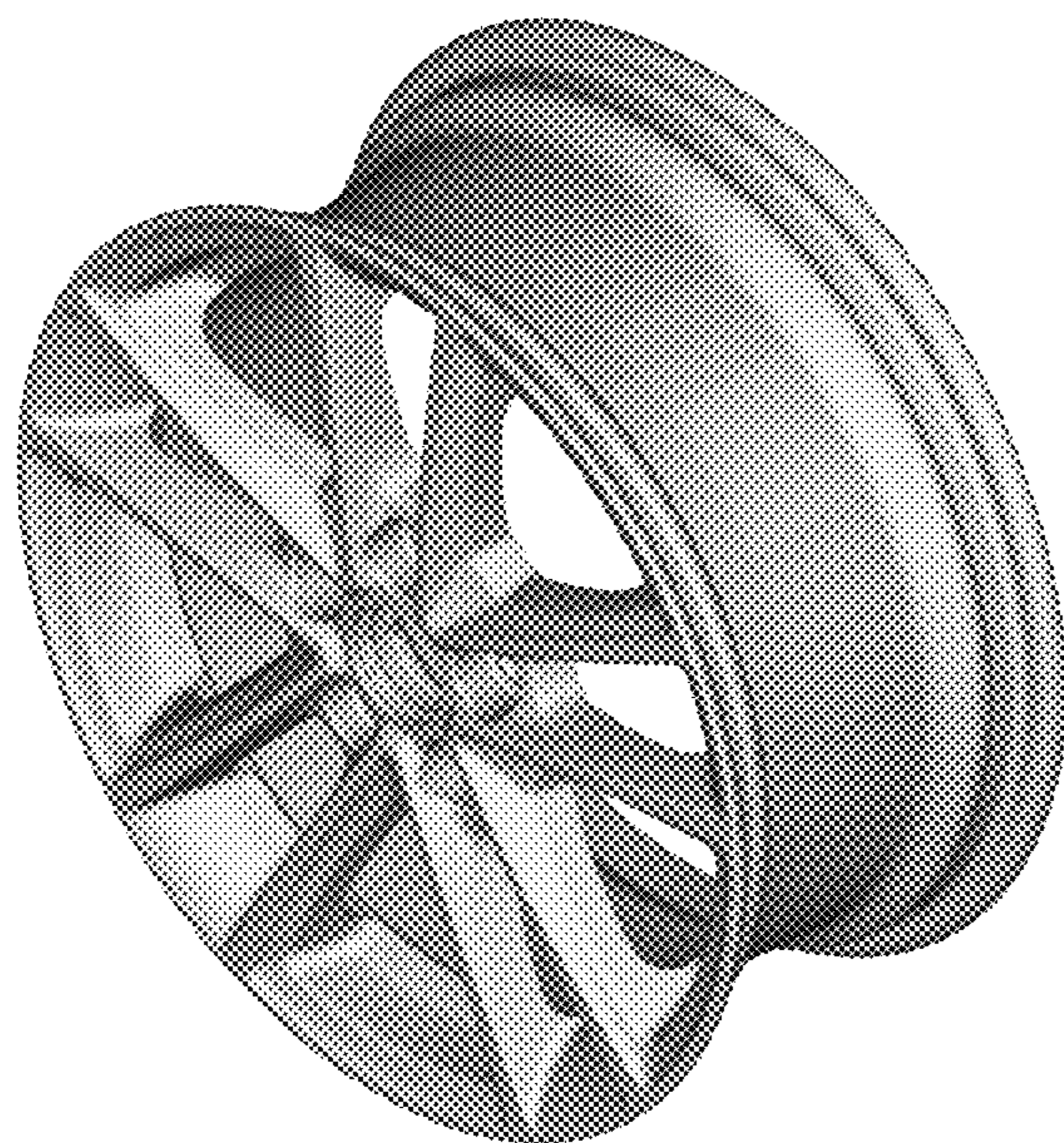
(57) **CLAIM**

The ornamental design for a vehicle wheel, as shown and described.

DESCRIPTION

FIG. 1 is a perspective view of a vehicle wheel; and, FIG. 2 is a front view thereof.

1 Claim, 2 Drawing Sheets



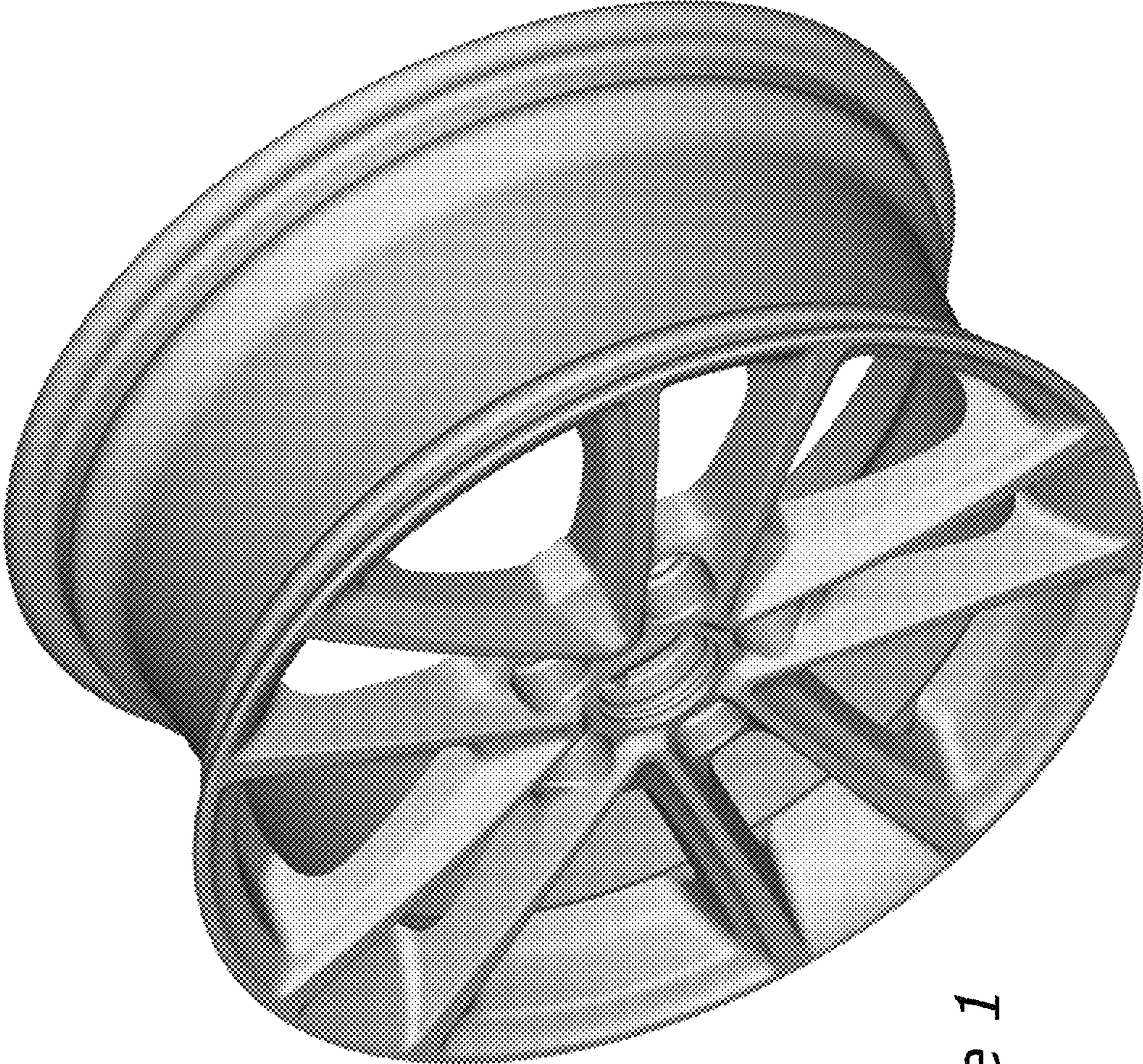


Figure 1

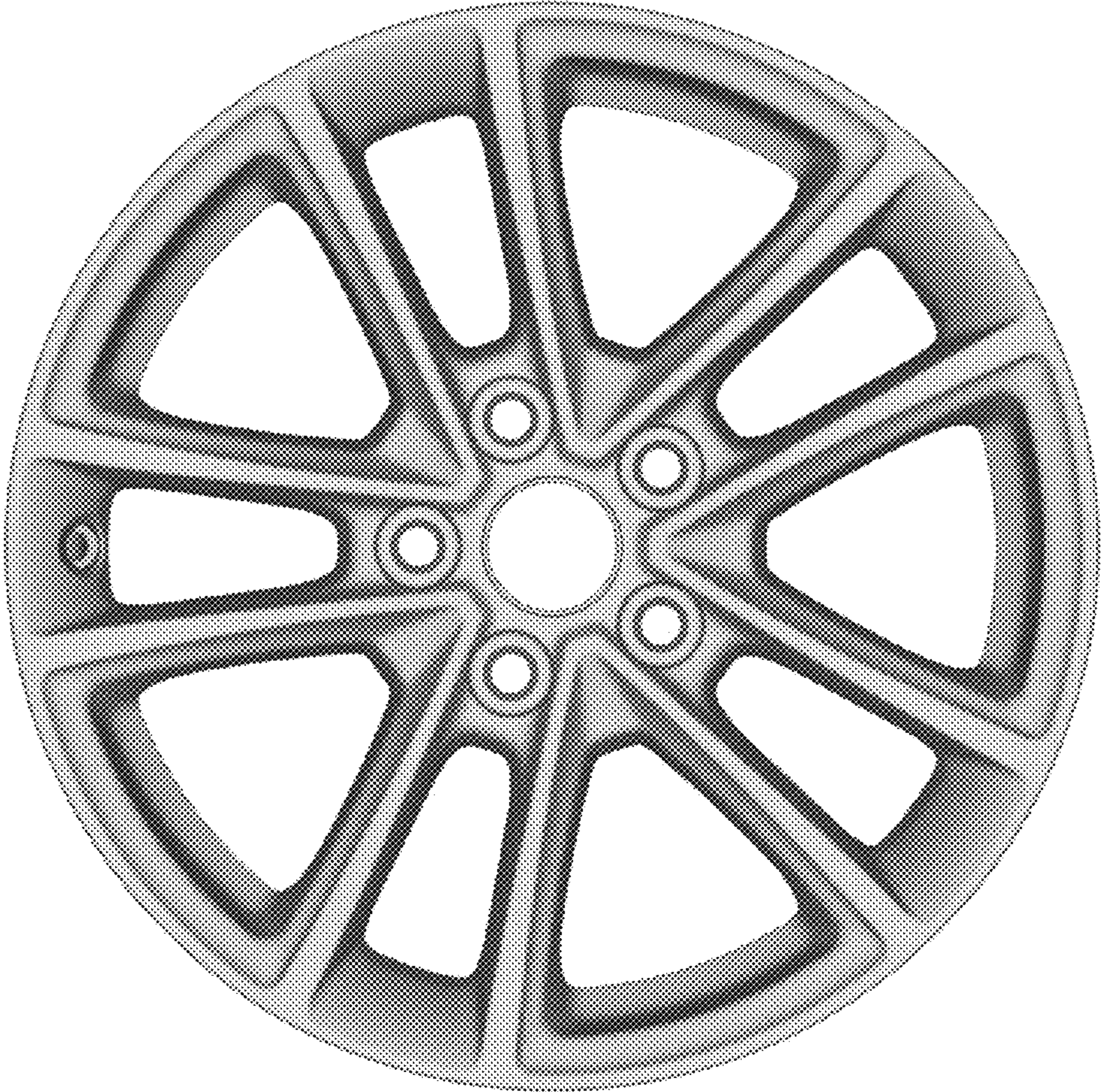


Figure 2