



US00D731388S

(12) **United States Design Patent**  
**Gotschke et al.**

(10) **Patent No.:** **US D731,388 S**  
(45) **Date of Patent:** **\*\* Jun. 9, 2015**

(54) **VEHICLE WHEEL**

(71) Applicant: **Ford Motor Company**, Dearborn, MI (US)

(72) Inventors: **Wolfgang Gotschke**, Cologne (DE);  
**Ulrike Kolb**, Cologne (DE)

(73) Assignee: **Ford Motor Company**, Dearborn, MI (US)

(\*\*) Term: **14 Years**

(21) Appl. No.: **29/482,054**

(22) Filed: **Feb. 13, 2014**

(51) **LOC (10) Cl.** ..... **12-16**

(52) **U.S. Cl.**  
USPC ..... **D12/211**

(58) **Field of Classification Search**  
USPC ..... D12/204–213  
CPC ..... B60B 7/00; B60B 7/02; B60B 7/04;  
B60B 7/01; B60B 7/06; B60B 3/02; B60B 3/04;  
B60B 3/06; B60B 3/10; B60B 1/00; B60B 1/08;  
B60B 1/10; B60B 1/12  
See application file for complete search history.

(56) **References Cited**

**U.S. PATENT DOCUMENTS**

D416,850 S \* 11/1999 Cohen et al. .... D12/211  
D489,033 S \* 4/2004 Lee ..... D12/211  
D522,954 S \* 6/2006 Hueller ..... D12/211

D578,053 S \* 10/2008 Neeper ..... D12/211  
D583,742 S \* 12/2008 Juergens et al. .... D12/211  
D593,022 S \* 5/2009 Forster et al. .... D12/211  
D620,870 S \* 8/2010 Powell ..... D12/211  
D628,136 S \* 11/2010 Leclercq ..... D12/211  
D663,671 S \* 7/2012 Song et al. .... D12/211  
D670,636 S \* 11/2012 Juergens et al. .... D12/211  
D673,103 S \* 12/2012 Song et al. .... D12/211  
D674,331 S \* 1/2013 Feuerherdt ..... D12/211  
D682,763 S \* 5/2013 Song et al. .... D12/211  
D683,685 S \* 6/2013 Pollmann ..... D12/211  
D687,757 S \* 8/2013 Lemke ..... D12/211  
D695,198 S \* 12/2013 Juergens et al. .... D12/211  
D697,017 S \* 1/2014 Holstein ..... D12/211  
D715,210 S \* 10/2014 Wolff et al. .... D12/211  
D720,273 S \* 12/2014 Hilpert ..... D12/211  
D720,274 S \* 12/2014 Mielke et al. .... D12/211  
D720,276 S \* 12/2014 Morgenstern ..... D12/211  
D722,002 S \* 2/2015 Stolz ..... D12/211

\* cited by examiner

*Primary Examiner* — Stacia Cadmus

(74) *Attorney, Agent, or Firm* — Damian Porcari

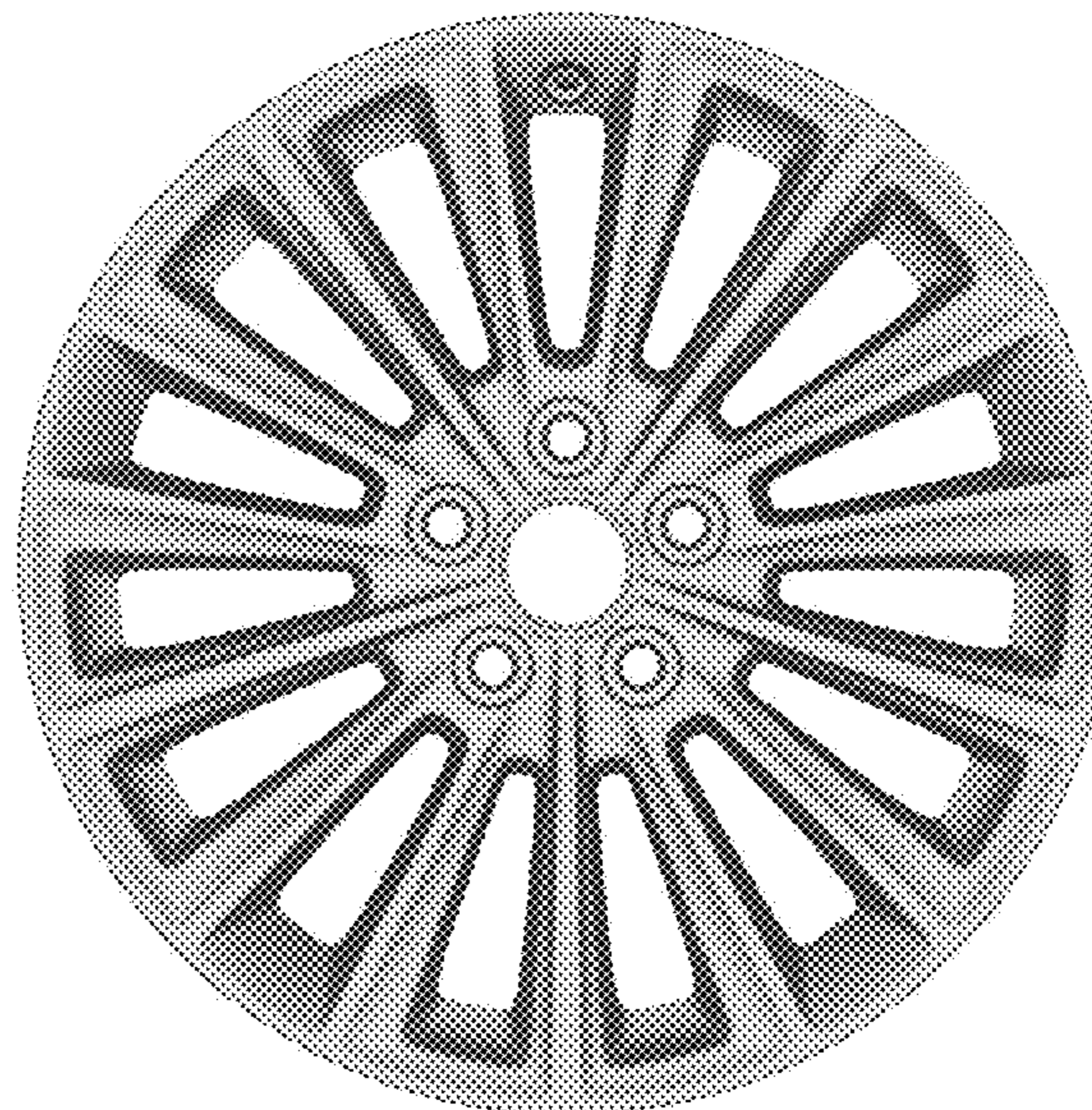
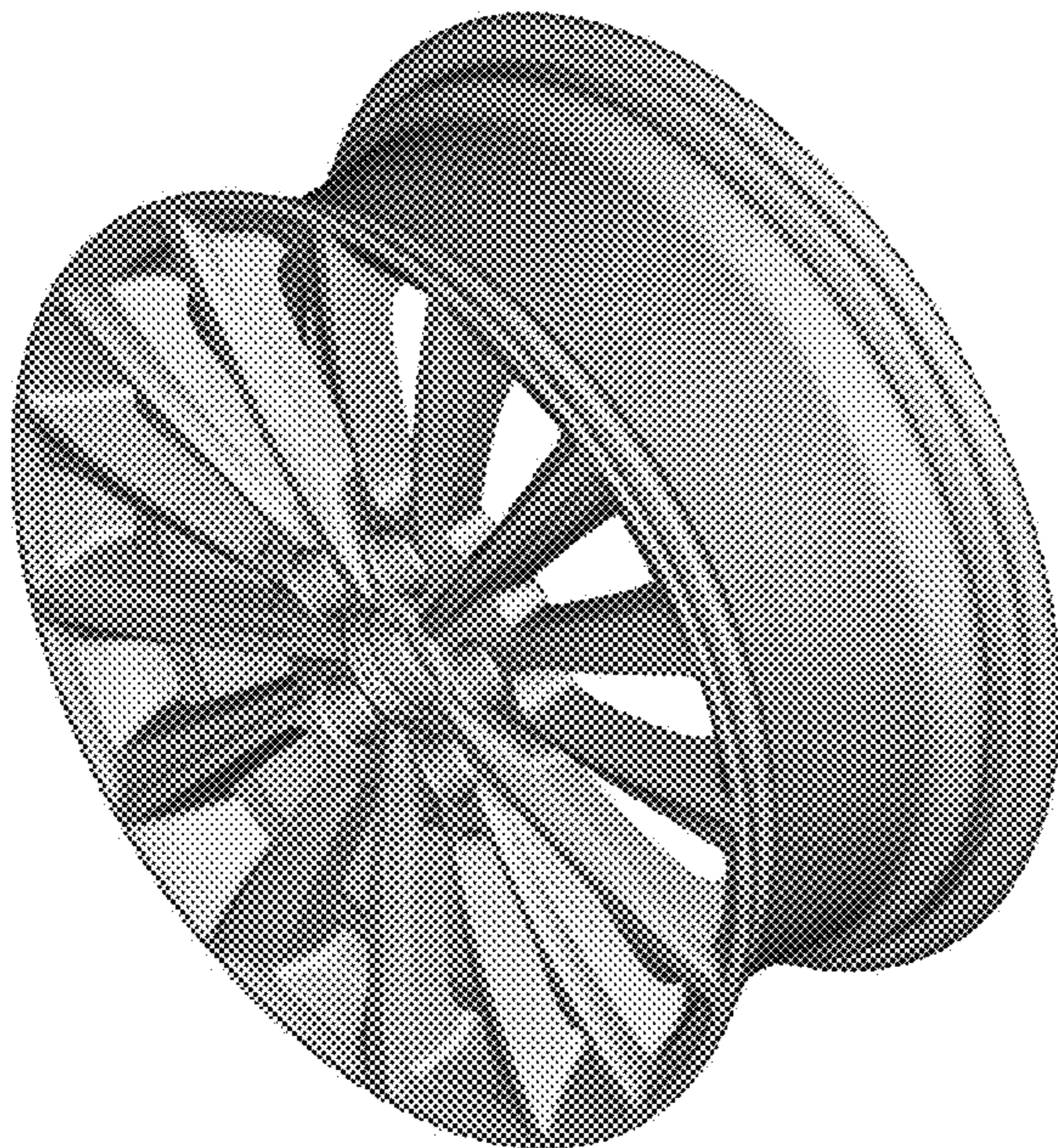
(57) **CLAIM**

The ornamental design for a vehicle wheel, as shown and described.

**DESCRIPTION**

FIG. 1 is a perspective view of a vehicle wheel; and, FIG. 2 is a front view thereof.

**1 Claim, 2 Drawing Sheets**





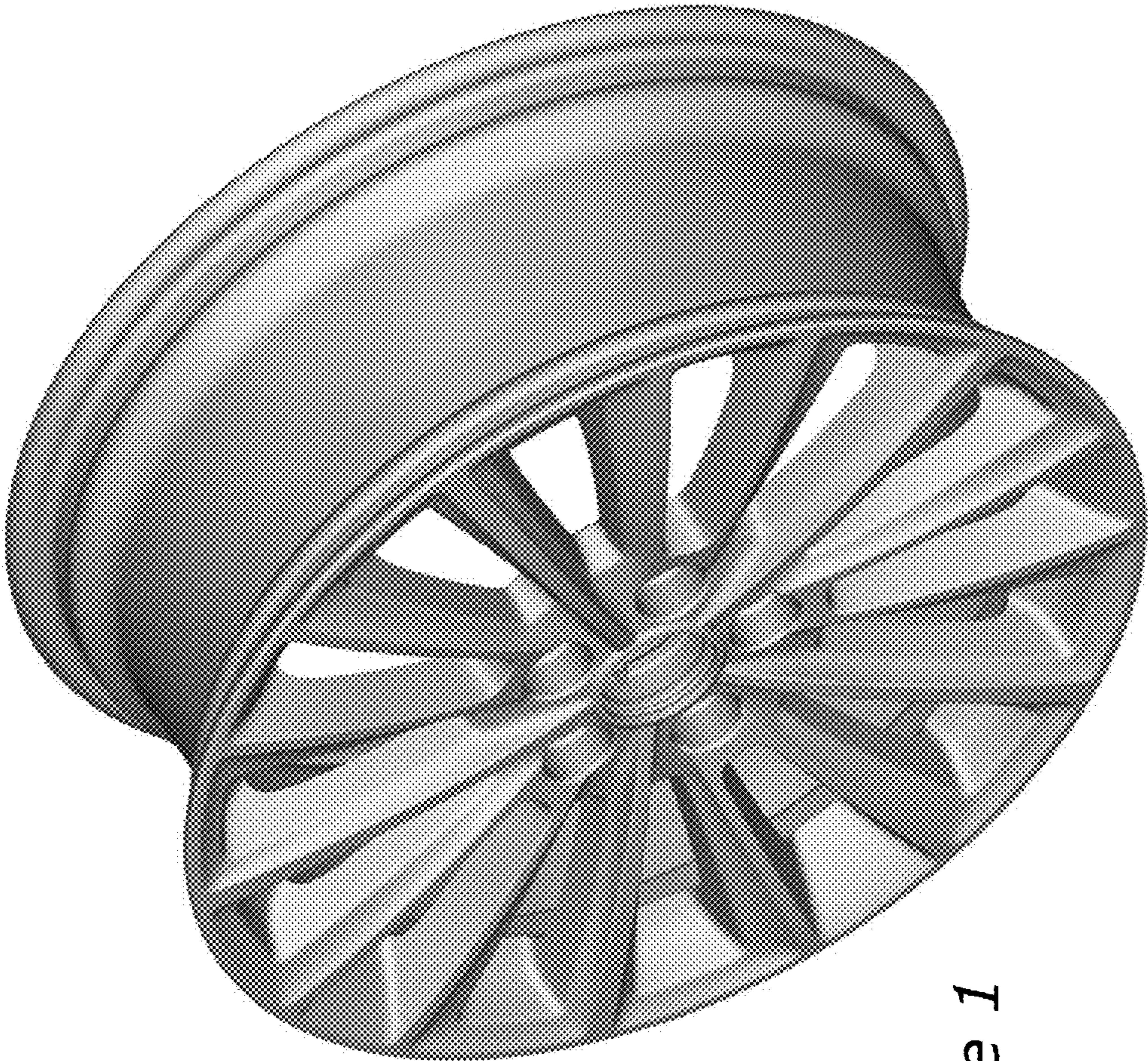


Figure 1



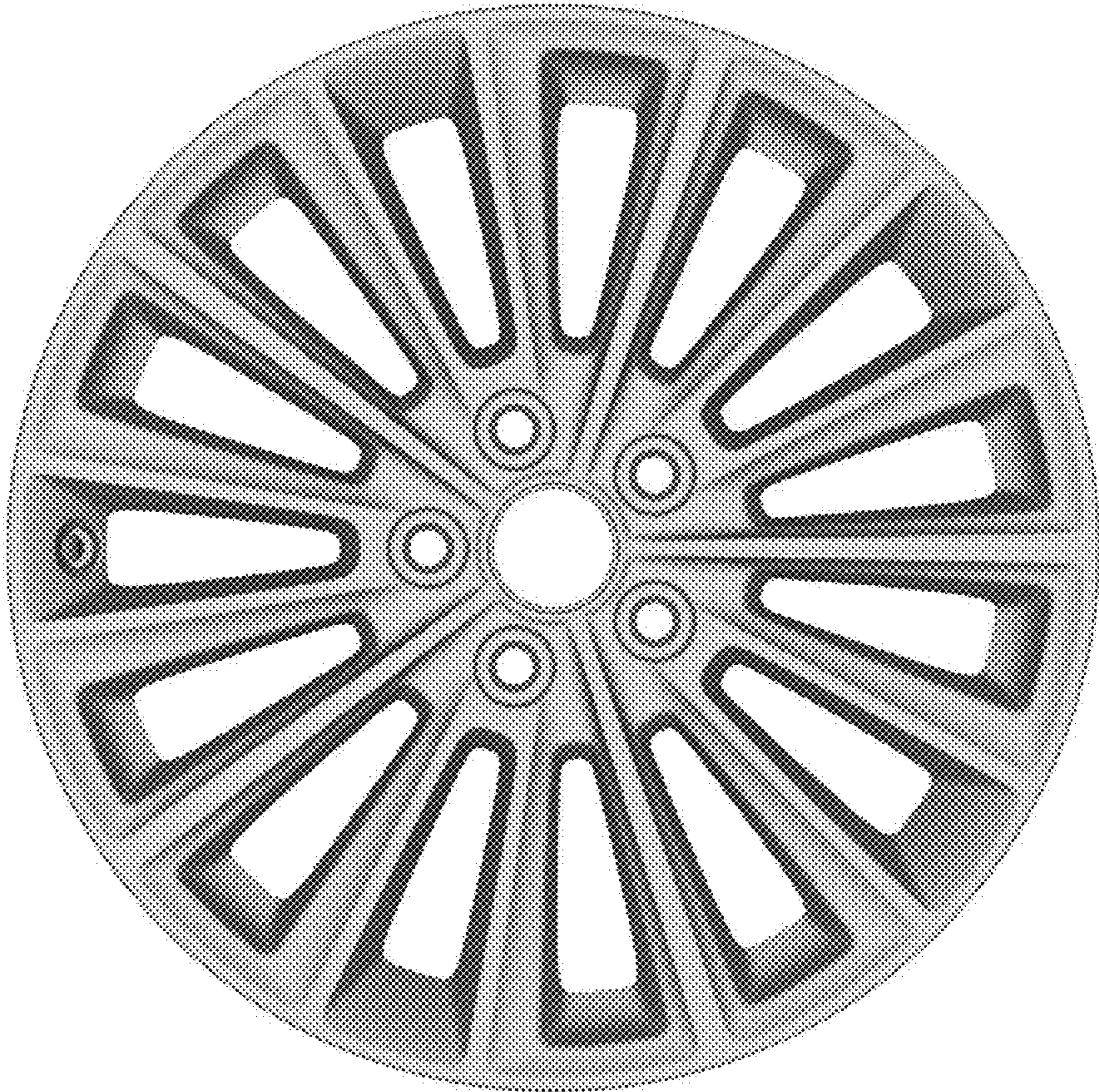


Figure 2