



US00D731386S

(12) **United States Design Patent**
Ferrett

(10) **Patent No.:** **US D731,386 S**
(45) **Date of Patent:** **** Jun. 9, 2015**

(54) **LEFT AUTOMOTIVE WHEEL**

(71) Applicant: **Dylan Ferrett**, Hampshire (GB)

(72) Inventor: **Dylan Ferrett**, Hampshire (GB)

(**) Term: **14 Years**

(21) Appl. No.: **29/473,060**

(22) Filed: **Nov. 18, 2013**

(51) **LOC (10) Cl.** **12-16**

(52) **U.S. Cl.**
USPC **D12/209**

(58) **Field of Classification Search**
USPC D12/204–213
CPC B60B 7/00; B60B 7/02; B60B 7/04;
B60B 7/01; B60B 7/06; B60B 3/02; B60B
3/04; B60B 3/06; B60B 3/10; B60B 1/00;
B60B 1/08; B60B 1/10; B60B 1/12
See application file for complete search history.

(56) **References Cited**

U.S. PATENT DOCUMENTS

D361,320 S *	8/1995	Wise	D12/209
D386,738 S *	11/1997	Doyle	D12/209
D408,003 S *	4/1999	Sacco et al.	D12/209
D412,308 S *	7/1999	Hussaini et al.	D12/209
D415,092 S *	10/1999	Wang	D12/209
D425,847 S *	5/2000	Iguchi	D12/209
D441,338 S *	5/2001	Hussaini et al.	D12/209
D445,749 S *	7/2001	Kuninari et al.	D12/209
D451,061 S *	11/2001	Ishihara	D12/209
D453,132 S *	1/2002	Chen	D12/209
D453,913 S *	2/2002	Minamisawa	D12/209
D455,693 S *	4/2002	Sato et al.	D12/209
D463,347 S *	9/2002	Takezawa	D12/209
D472,509 S *	4/2003	Laengerer	D12/209

D475,006 S *	5/2003	Yoshida	D12/209
D493,132 S *	7/2004	Rivers et al.	D12/209
D502,435 S *	3/2005	Kuninari et al.	D12/209
D507,220 S *	7/2005	Lucaora	D12/209
D514,494 S *	2/2006	Scheu	D12/209
D521,436 S *	5/2006	Meier	D12/209
D584,209 S *	1/2009	Klimas	D12/209
D605,573 S *	12/2009	Chan	D12/209
D631,812 S *	2/2011	Juergens et al.	D12/209
D631,814 S *	2/2011	Baum	D12/209
D655,659 S *	3/2012	Schweizer	D12/209
D664,489 S *	7/2012	Slorance	D12/209
D671,058 S *	11/2012	Hermann et al.	D12/209
D671,478 S *	11/2012	Baum et al.	D12/209
D673,097 S *	12/2012	Lemke	D12/209

* cited by examiner

Primary Examiner — Stacia Cadmus

(57) **CLAIM**

I claim the ornamental design for a left automotive wheel, as shown and described.

DESCRIPTION

FIG. 1 is a front view of the left automotive wheel of the claimed design;

FIG. 2 is a front perspective view of the left automotive wheel of FIG. 1;

FIG. 3 is another perspective view of the left automotive wheel of FIG. 1;

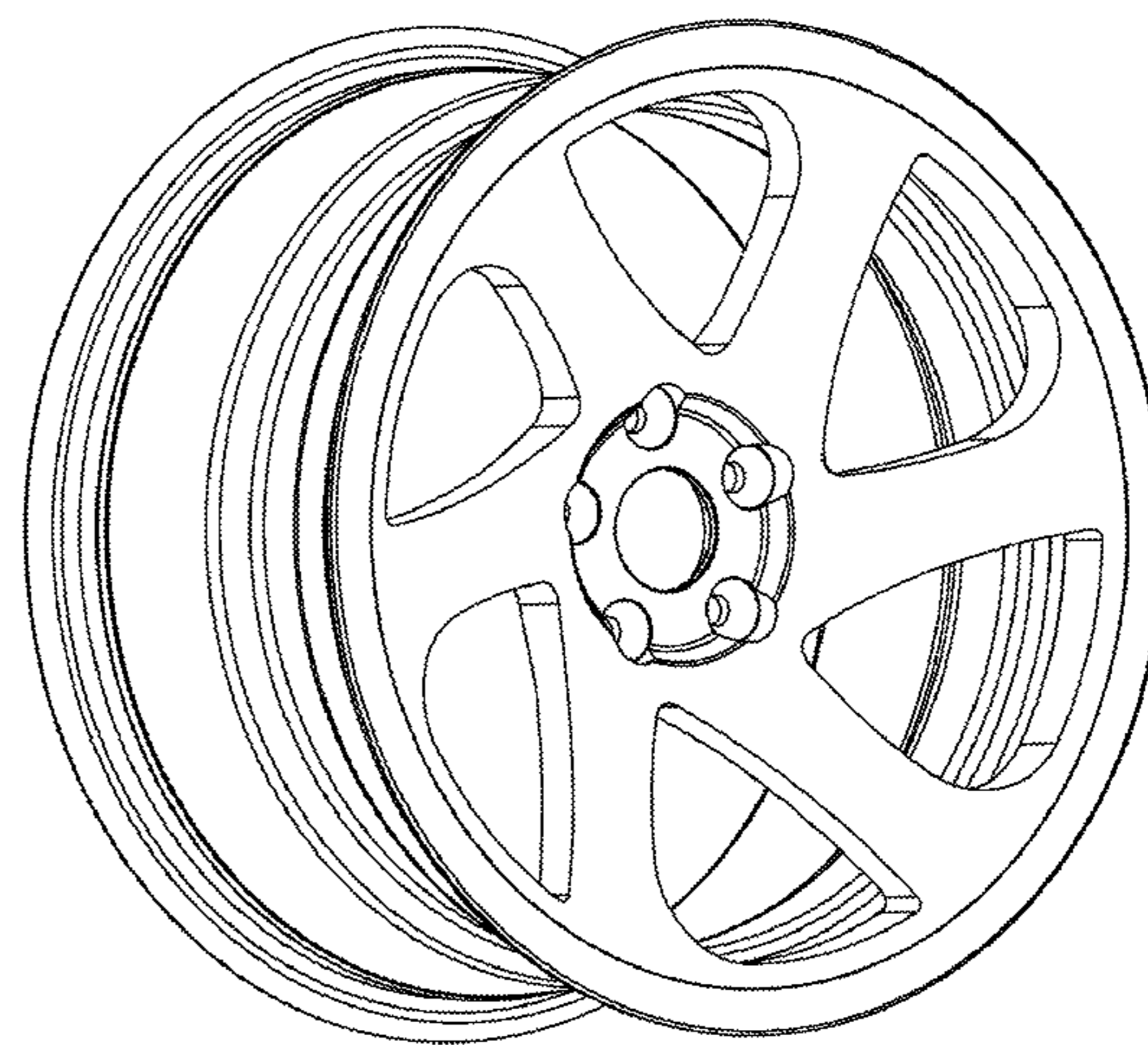
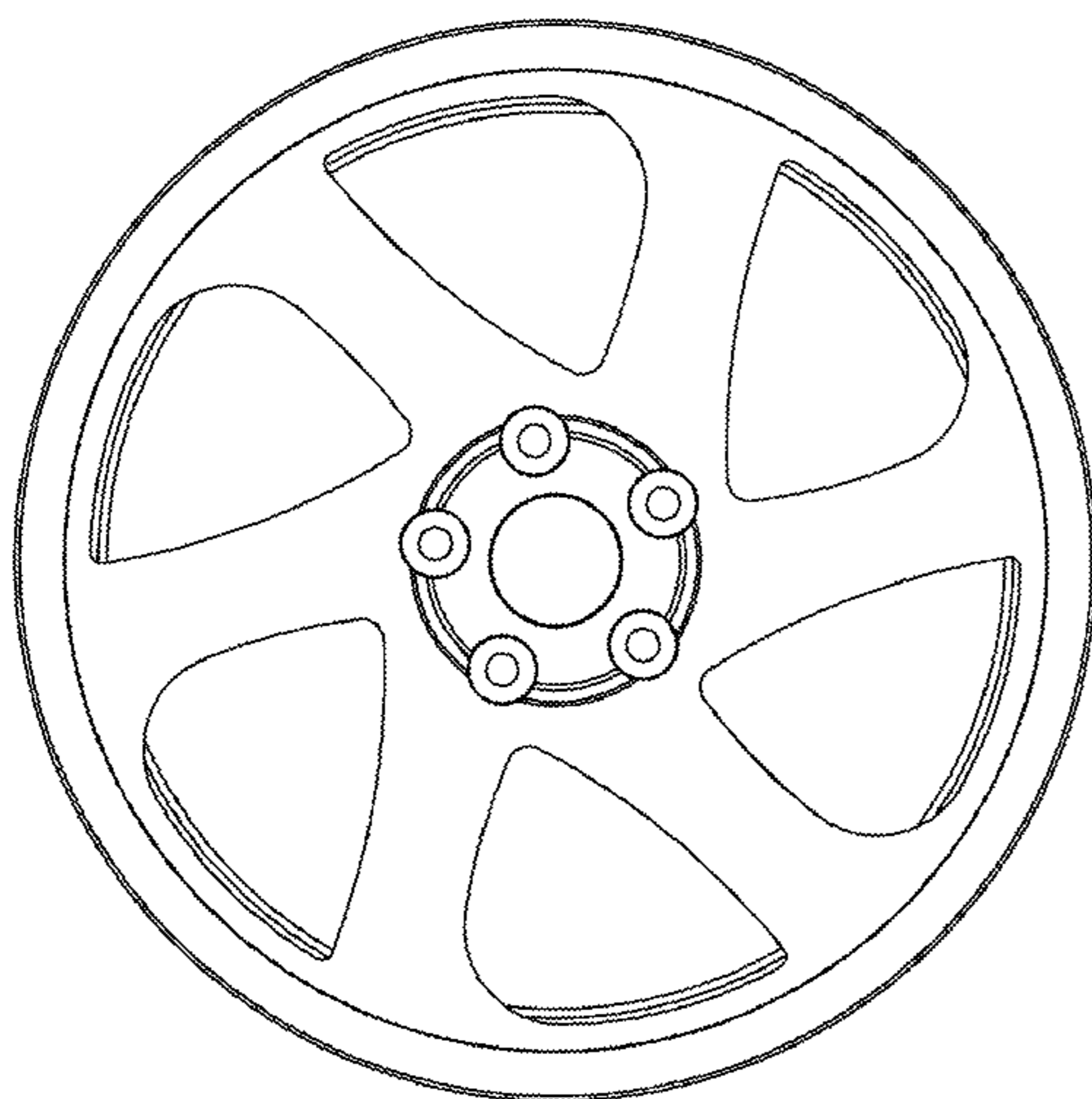
FIG. 4 is another perspective view of the left automotive wheel of FIG. 1;

FIG. 5 is another perspective view of the left automotive wheel of FIG. 1;

FIG. 6 is another perspective view of the left automotive wheel of FIG. 1; and,

FIG. 7 is a side view of the left automotive wheel of FIG. 1.

1 Claim, 7 Drawing Sheets



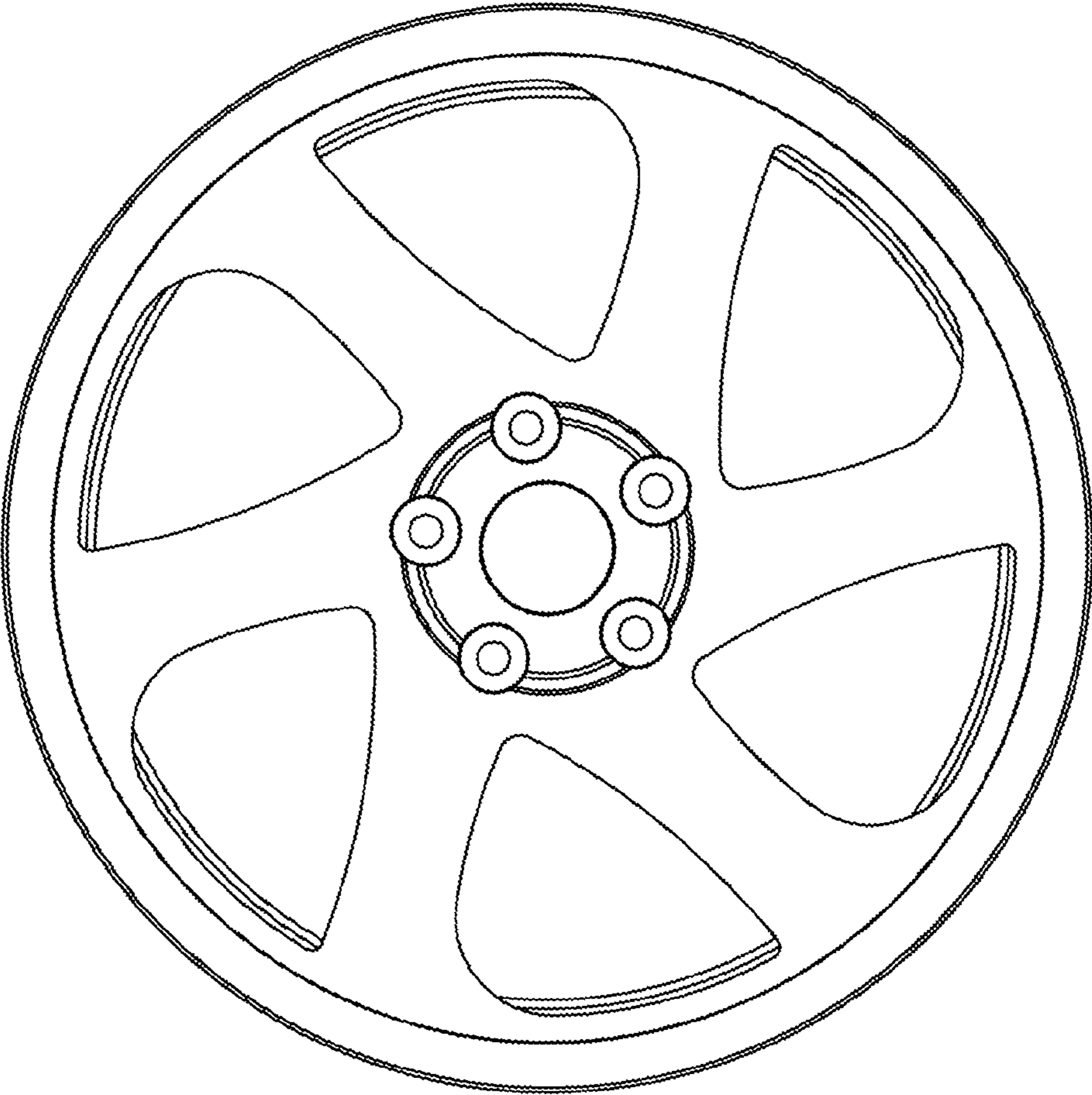


FIGURE 1

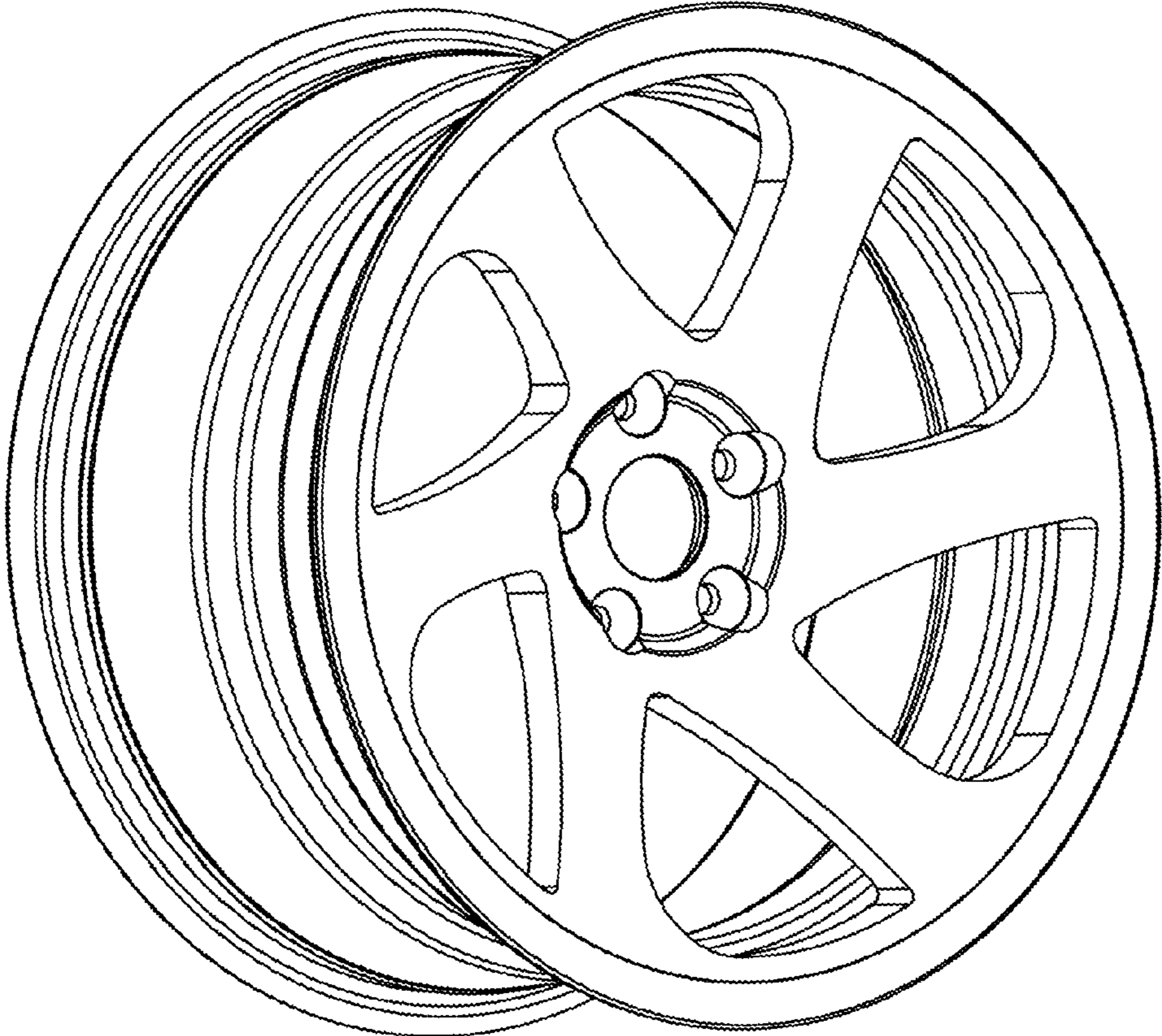


FIGURE 2

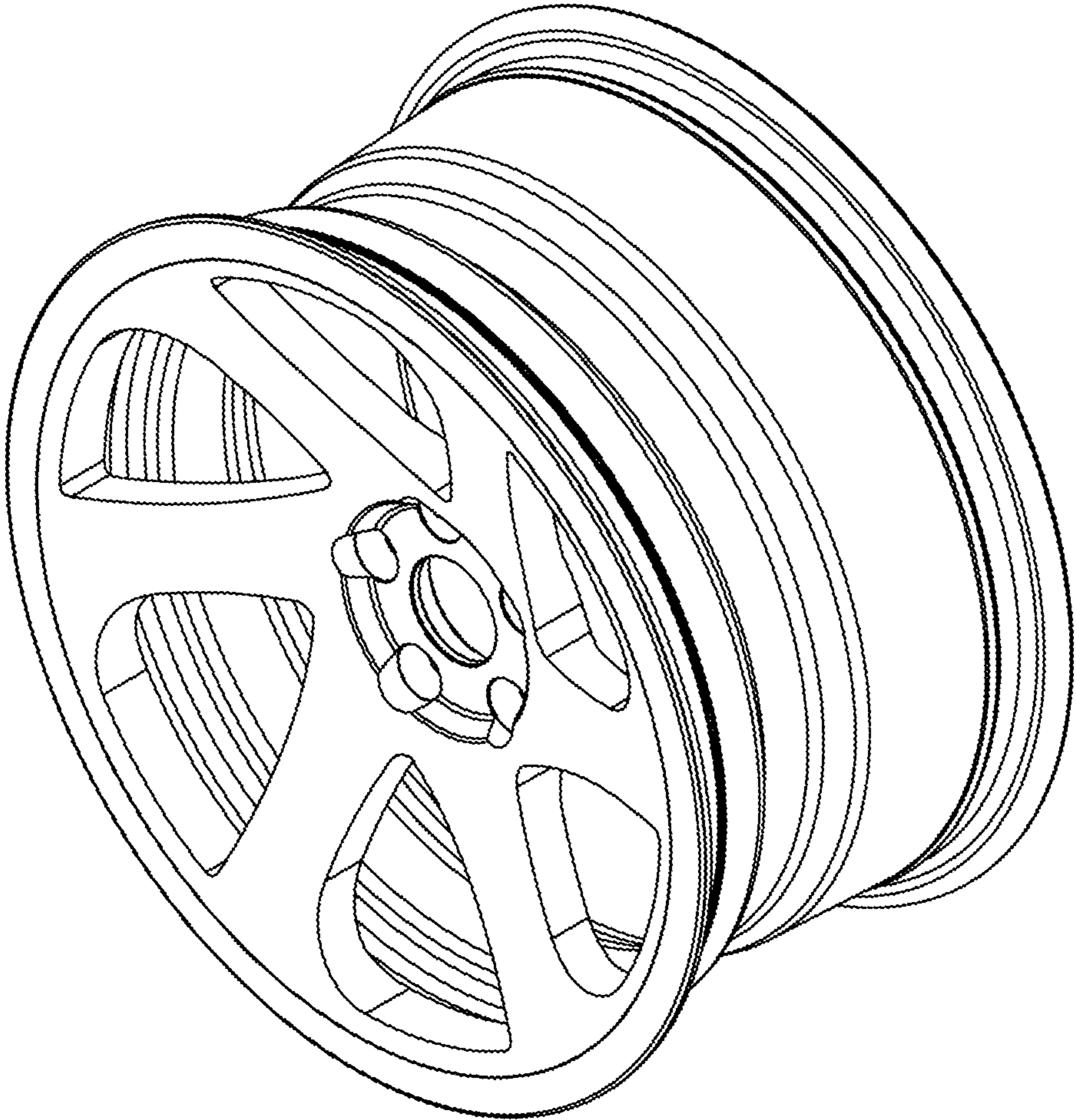


FIGURE 3

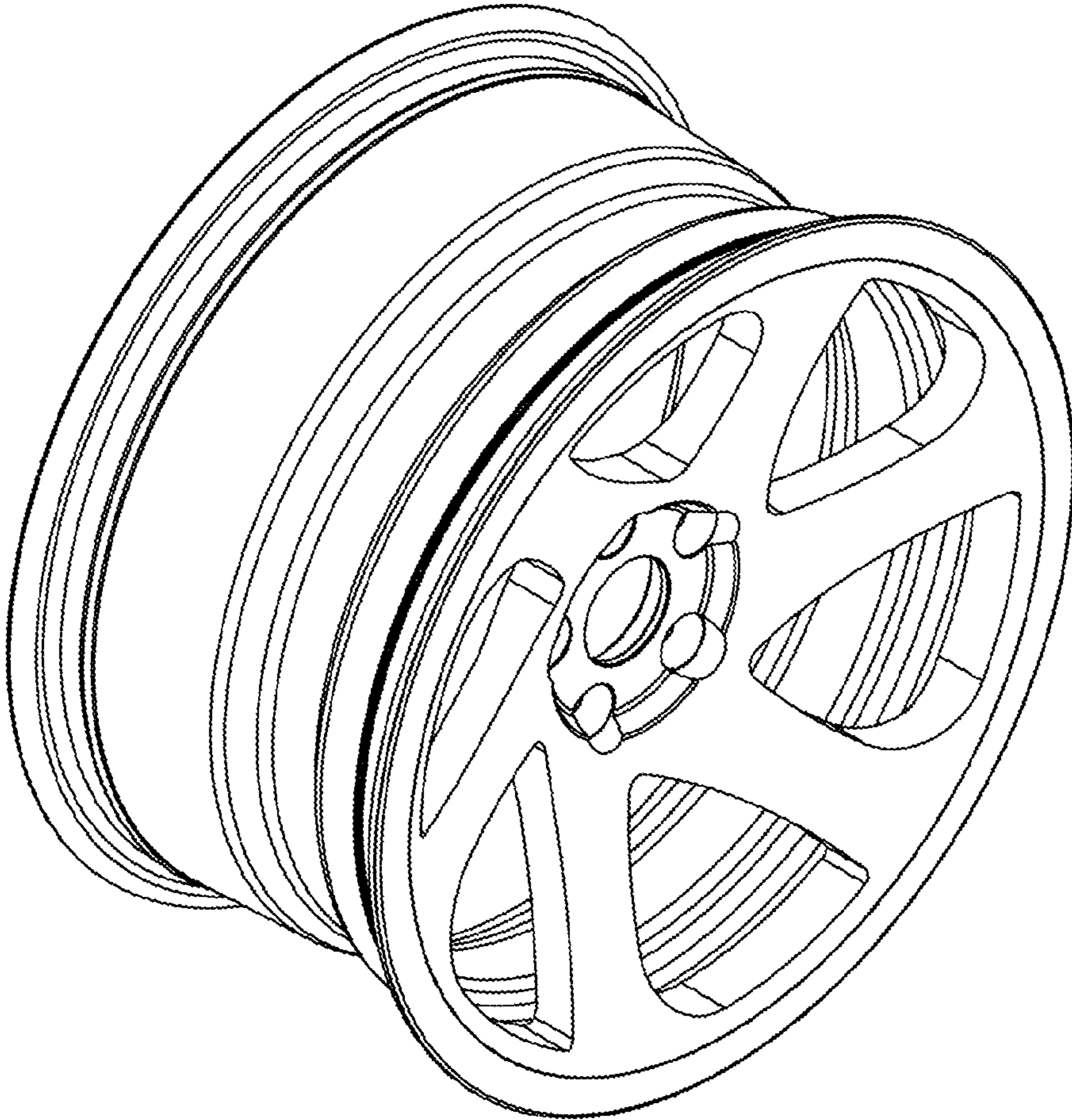


FIGURE 4

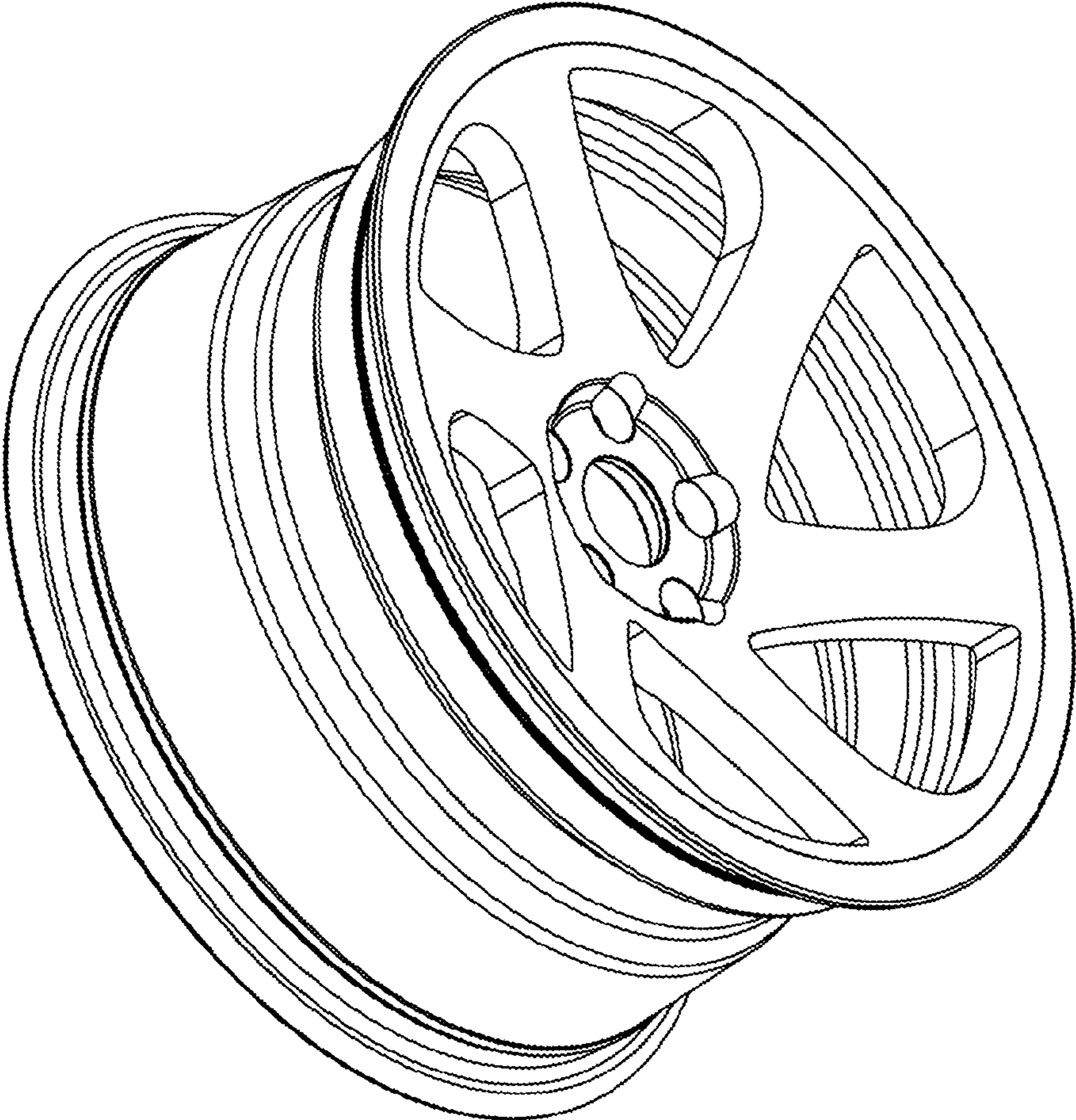


FIGURE 5

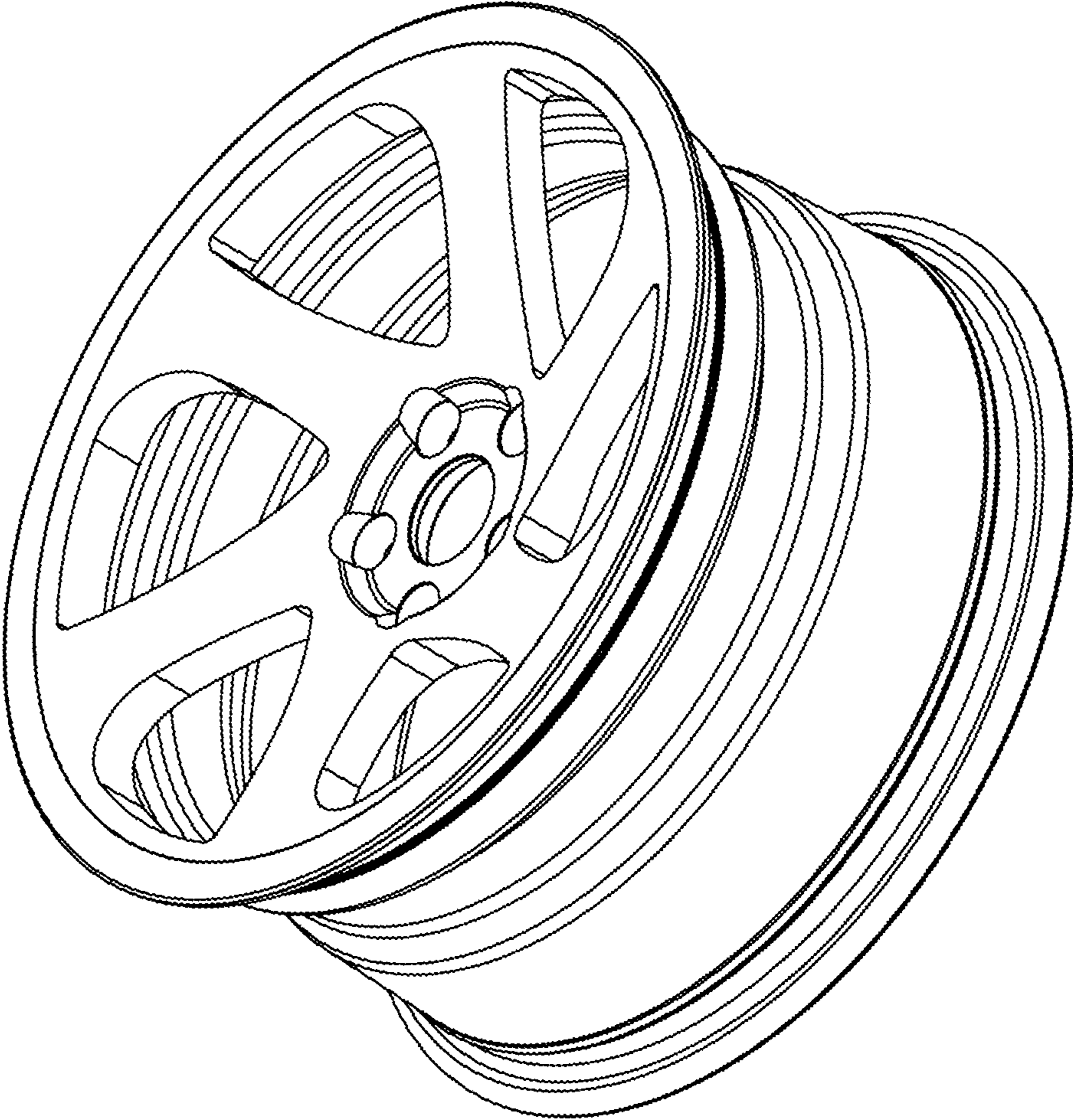


FIGURE 6

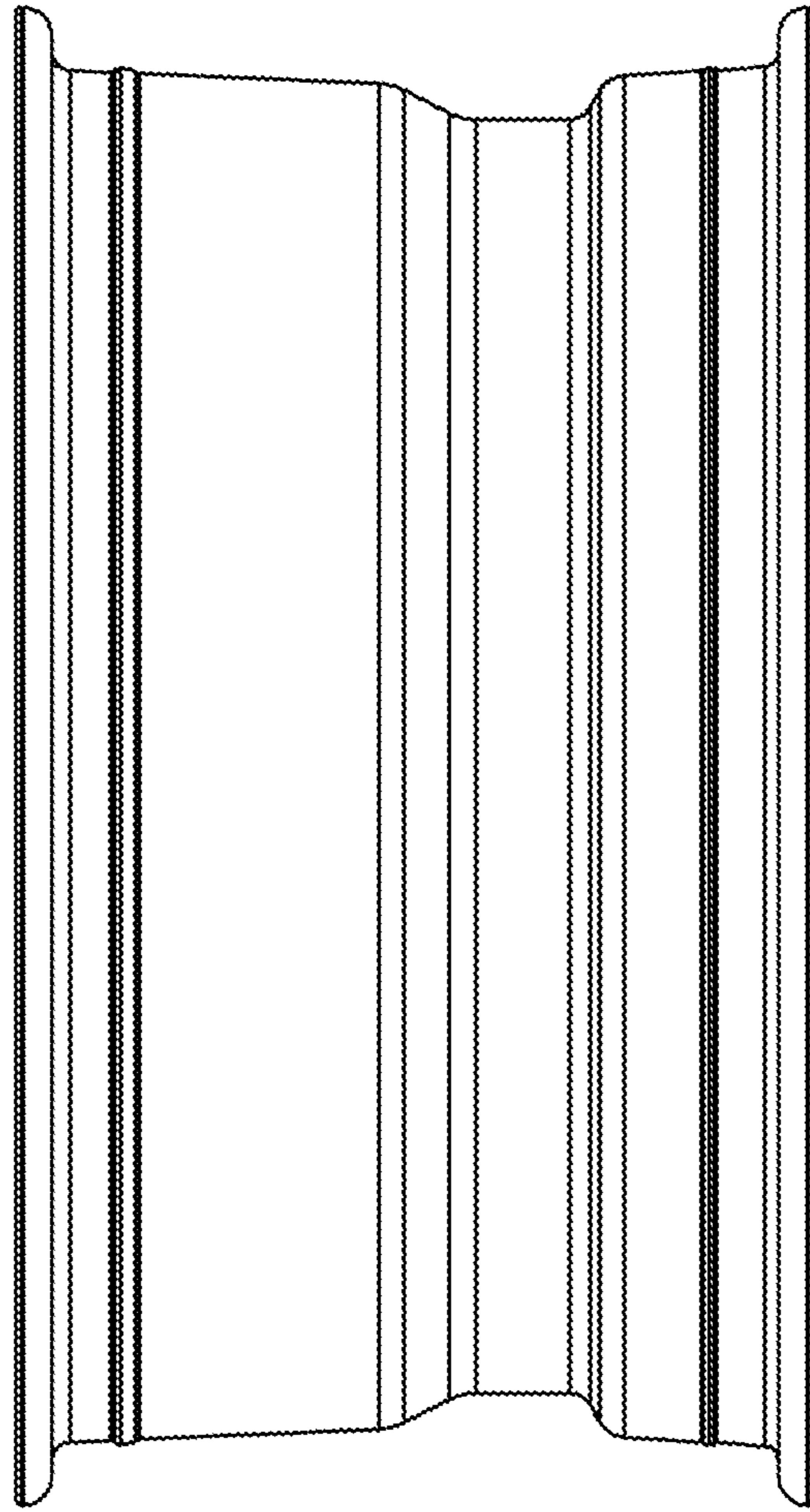


FIGURE 7