



US00D731380S

(12) **United States Design Patent**
Brawner

(10) **Patent No.:** **US D731,380 S**
(45) **Date of Patent:** **** Jun. 9, 2015**

(54) **DEVICE FOR ATTACHMENT TO A REARVIEW MIRROR**

D718,689 S * 12/2014 Blanski et al. D12/187
D720,669 S * 1/2015 Hammoud et al. D12/187
D724,507 S * 3/2015 Shibuta D12/187
D724,510 S * 3/2015 McMahan et al. D12/187

(71) Applicant: **Atom Enterprises, Inc.**, Orlando, FL (US)

* cited by examiner

(72) Inventor: **Jeffrey D. Brawner**, Tampa, FL (US)

Primary Examiner — Katrina A Betton

(**) Term: **14 Years**

(74) *Attorney, Agent, or Firm* — Stephen Lewellyn; Maxey Law Offices, PLLC

(21) Appl. No.: **29/458,512**

(57) **CLAIM**

(22) Filed: **Jun. 20, 2013**

The ornamental design for a device for attachment to a rear-view mirror, as shown and described.

(51) **LOC (10) Cl.** **12-16**

(52) **U.S. Cl.**

USPC **D12/188**

(58) **Field of Classification Search**

USPC D12/187–189; D6/300, 309; 359/838, 359/841, 842, 843, 844, 868, 871, 604, 881, 359/514, 866; 248/479–483, 475.1

See application file for complete search history.

DESCRIPTION

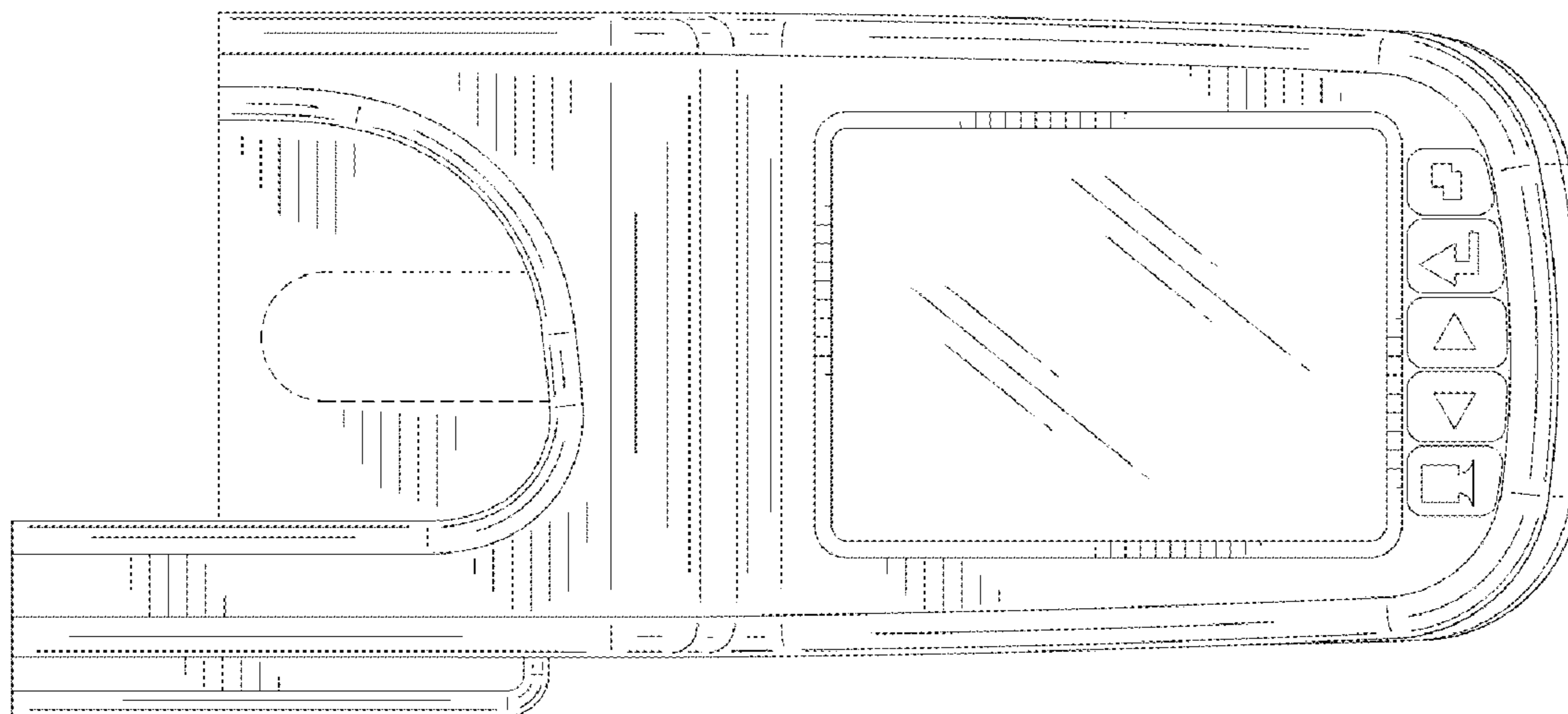
FIG. 1 is a front elevation view of a device for attachment to a review mirror in accordance with my invention; FIG. 2 is a left side elevation view of the device of FIG. 1; FIG. 3 is a right side elevation view of the device of FIG. 1; FIG. 4 is a top plan view of the device of FIG. 1; FIG. 5 is a bottom plan view of the device of FIG. 1; FIG. 6 front perspective view of the device of FIG. 1; and, FIG. 7 is a rear perspective view of the device of FIG. 1. The broken lines in FIGS. 1 through 7 are environmental structure only and form no part of the claimed design.

(56) **References Cited**

U.S. PATENT DOCUMENTS

D716,206 S * 10/2014 Thole et al. D12/187
D716,207 S * 10/2014 Callum et al. D12/187

1 Claim, 3 Drawing Sheets



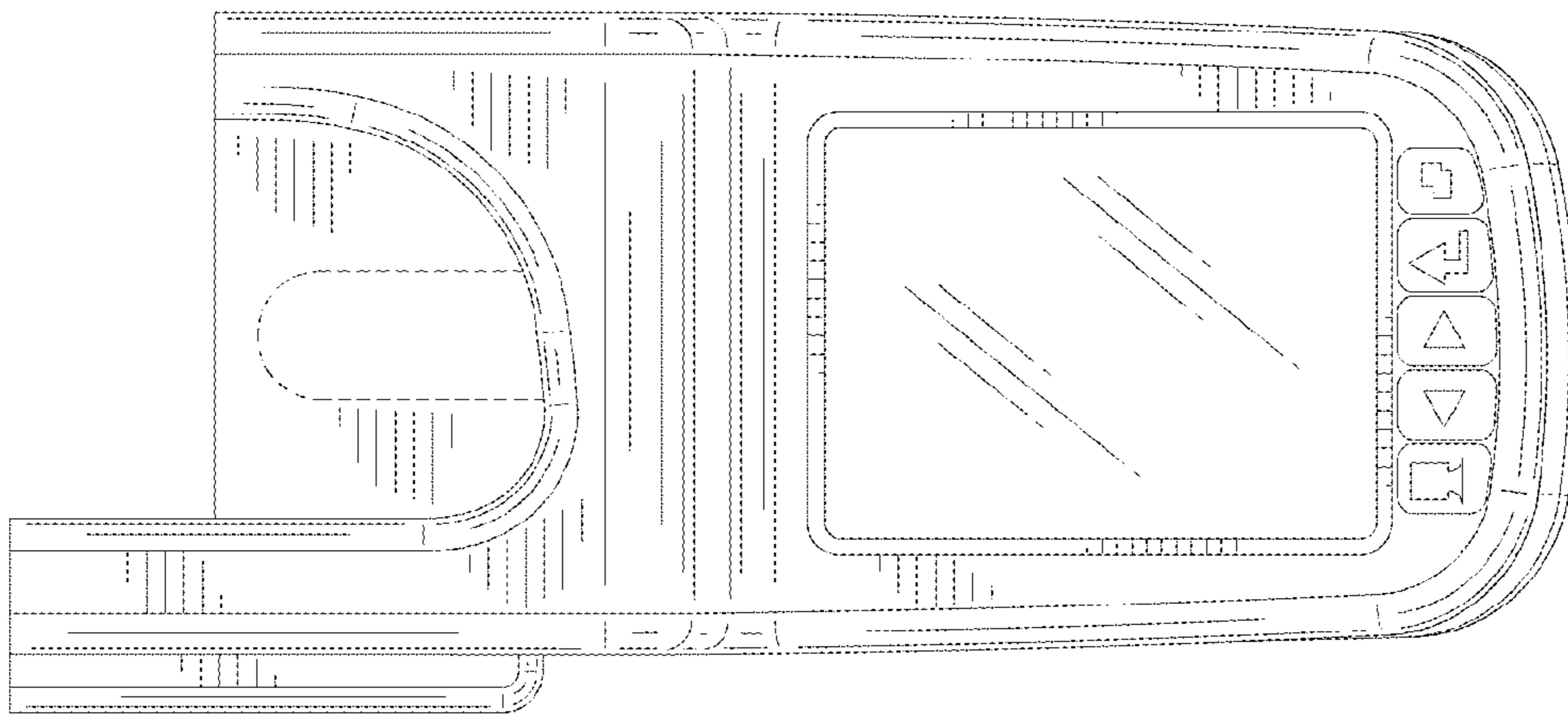


FIG. 1

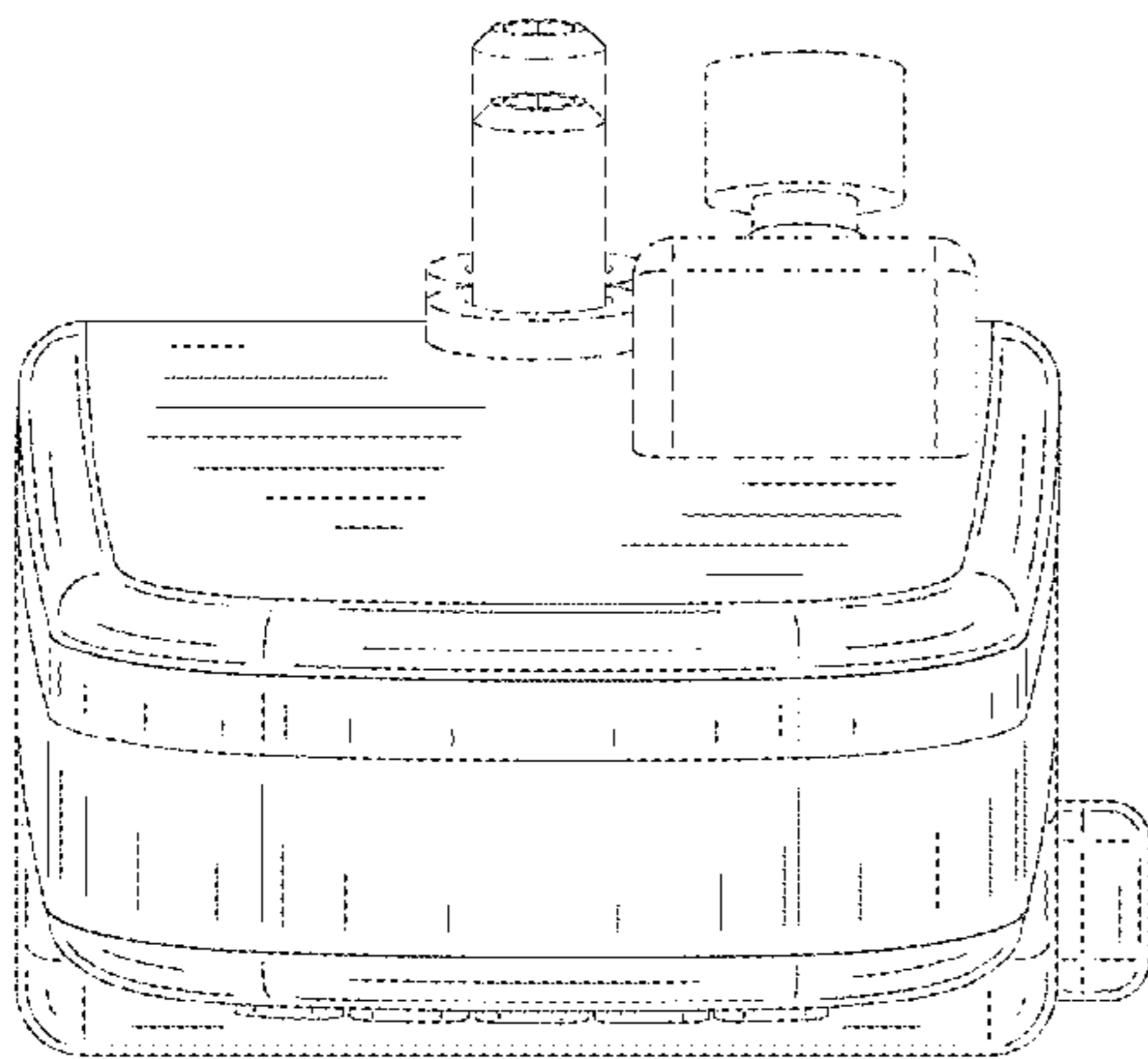


FIG. 2

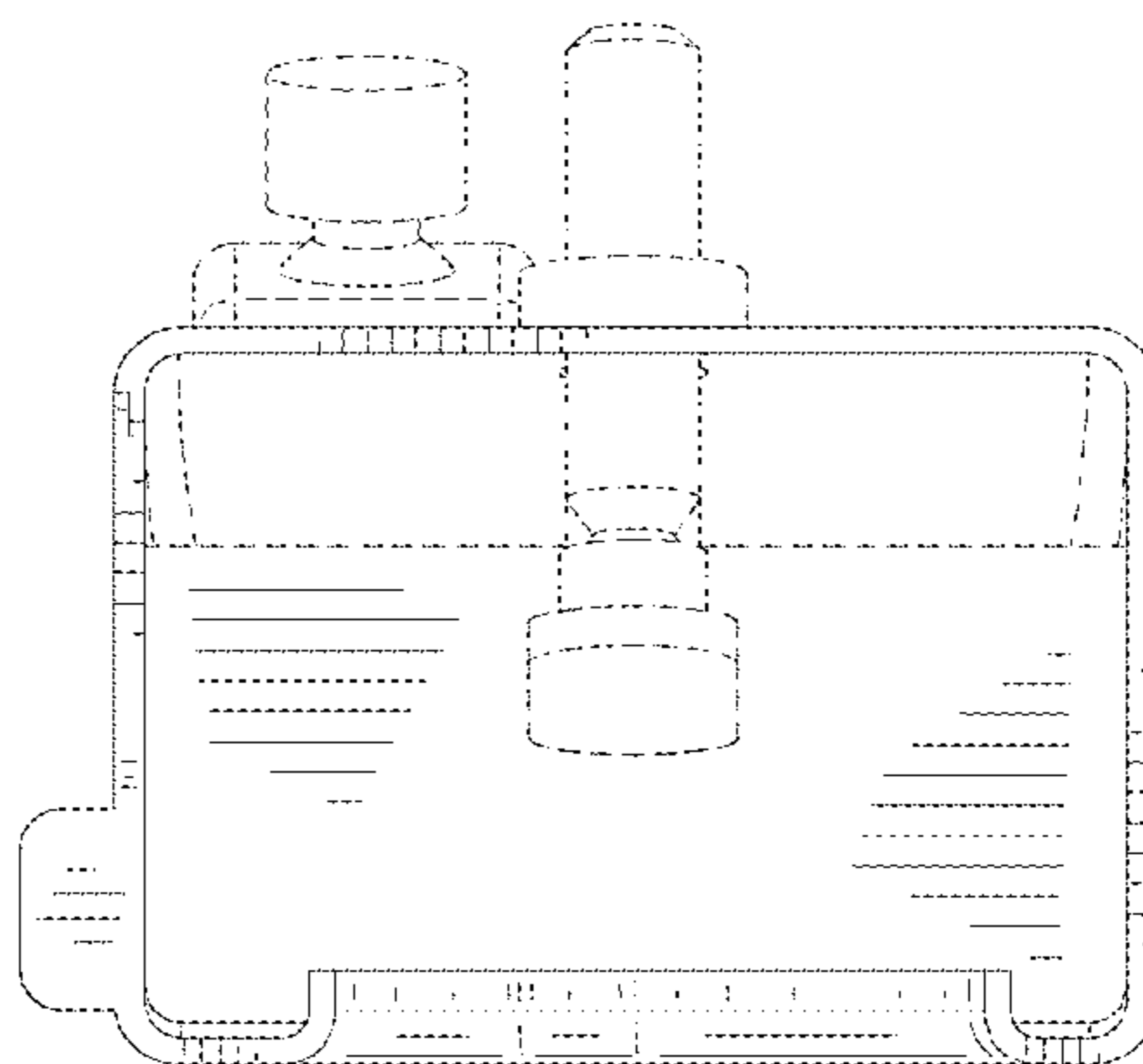


FIG. 3

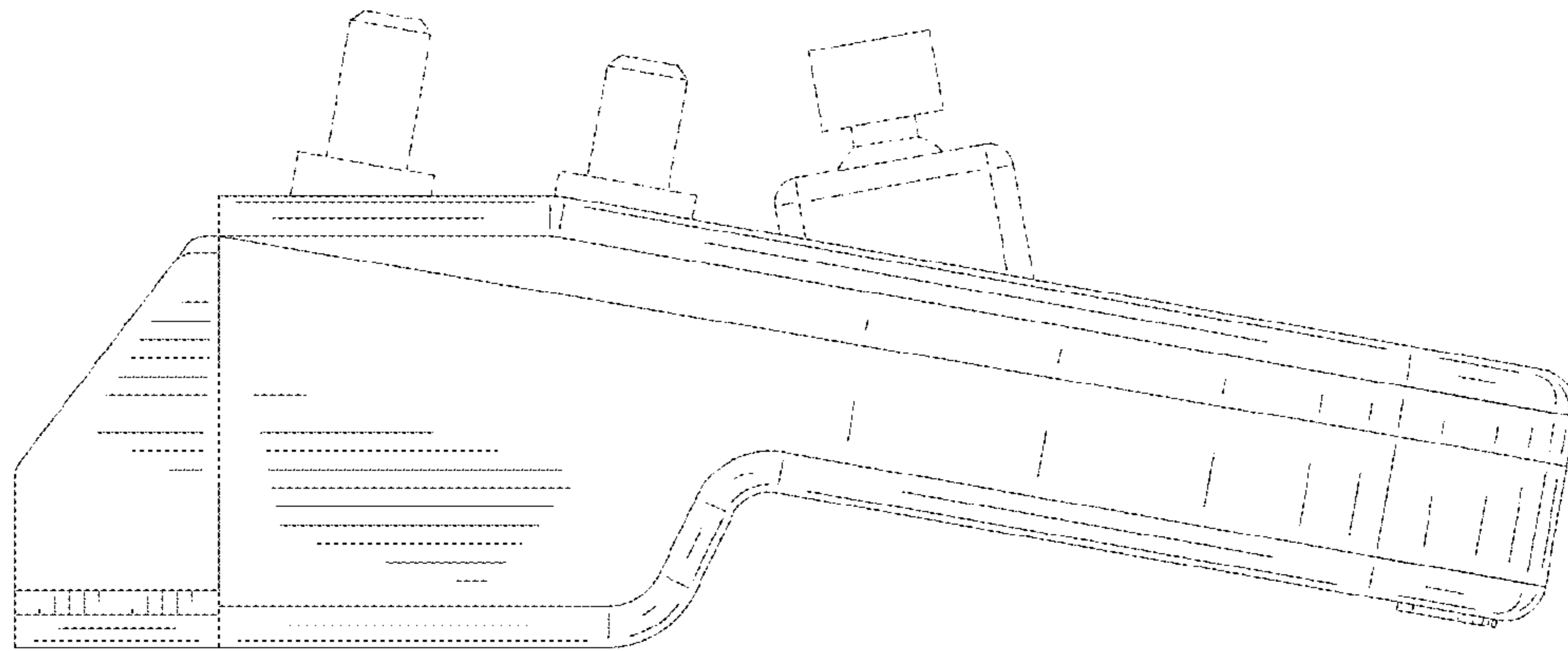


FIG. 4

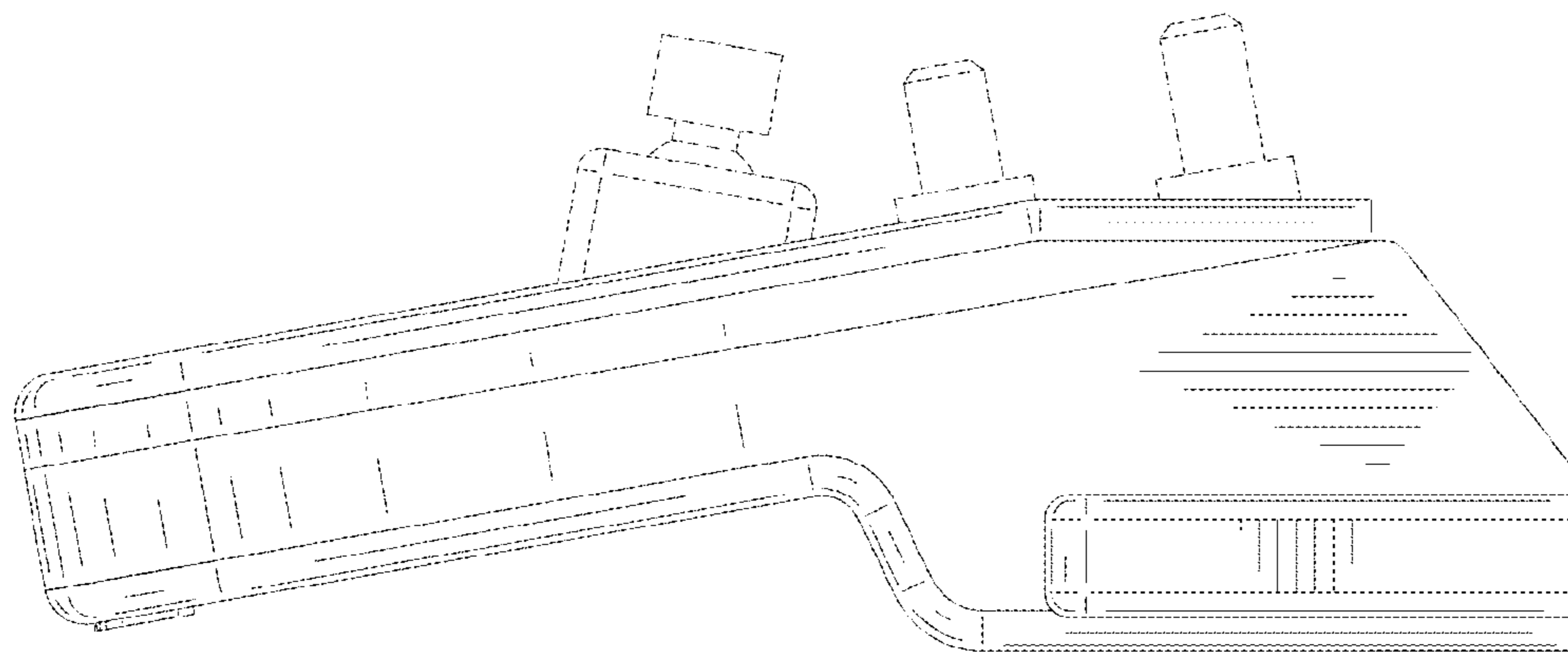


FIG. 5

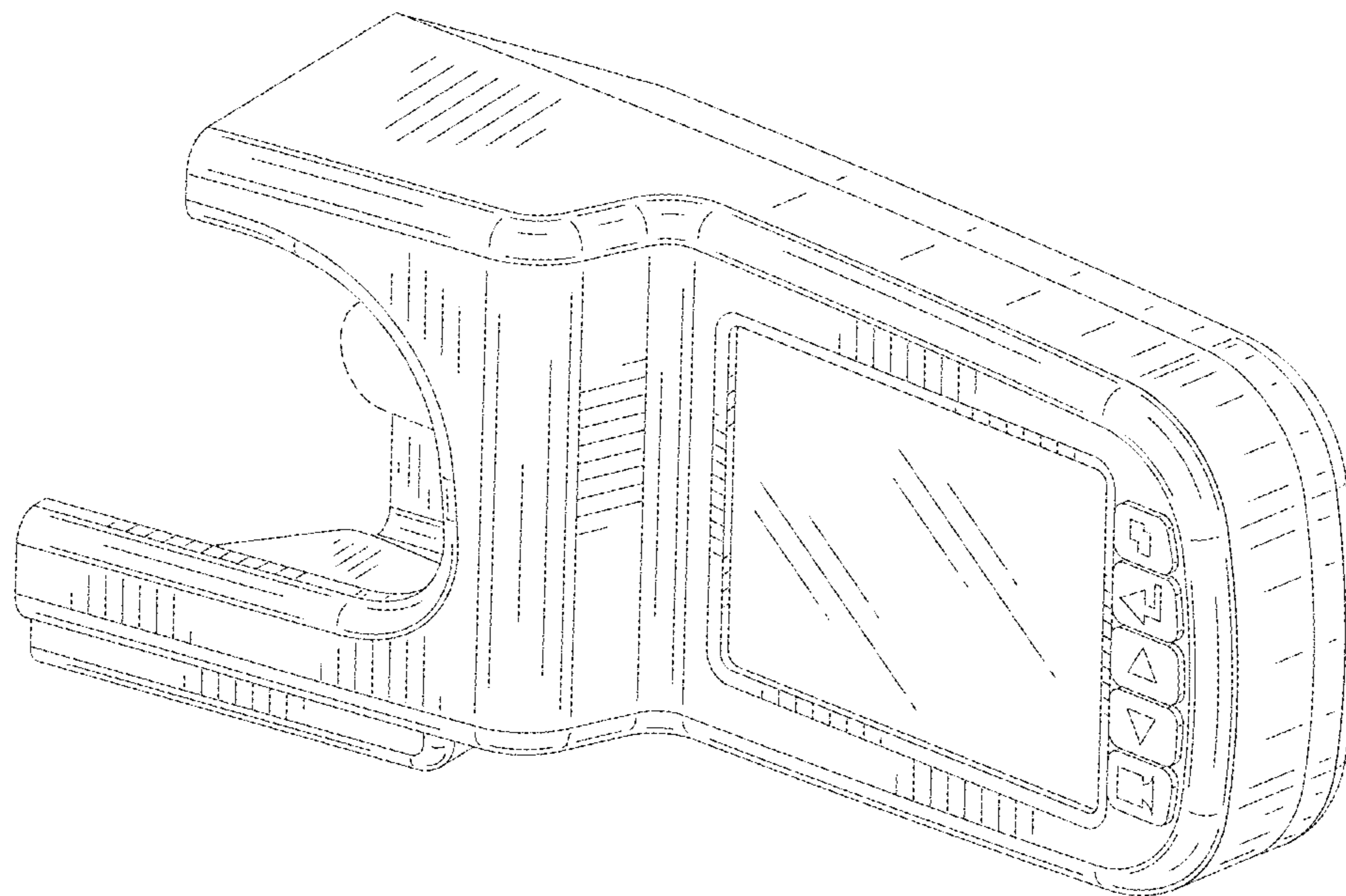


FIG. 6

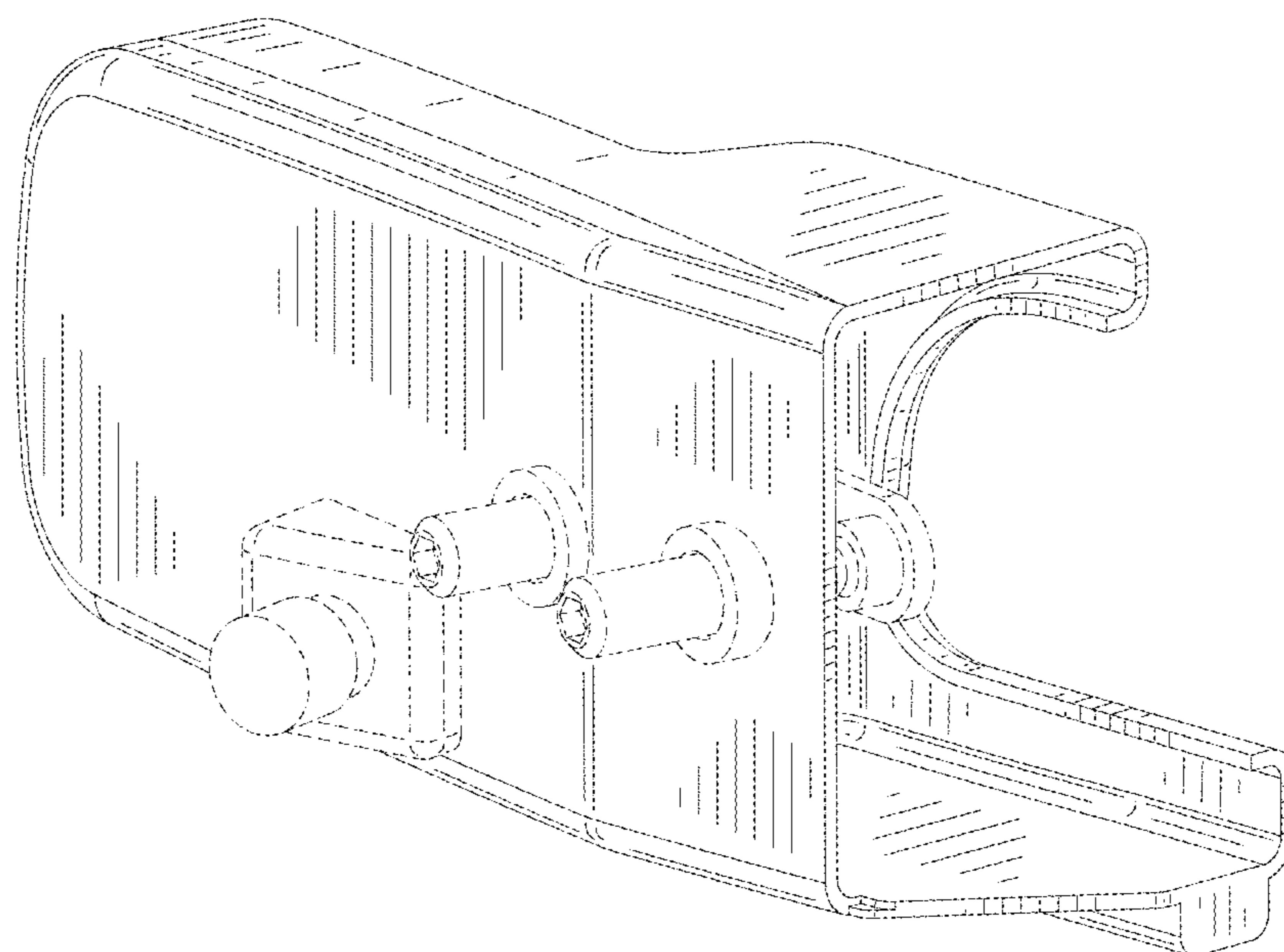


FIG. 7