



US00D731378S

(12) **United States Design Patent**
Roberts et al.

(10) **Patent No.:** **US D731,378 S**
(45) **Date of Patent:** **** Jun. 9, 2015**

(54) **VEHICLE MIRROR**

359/838, 841, 843, 844, 868, 871, 872,
359/604, 881, 514, 866; 248/479-483,
248/475.1

(71) Applicants: **Thomas L. Roberts**, Mukwonago, WI (US); **Tandrea L. Sperfslage**, West Bend, WI (US); **Brian D. Neeley**, West Bend, WI (US); **Bart T. Mayer**, Fond du Lac, WI (US)

See application file for complete search history.

(72) Inventors: **Thomas L. Roberts**, Mukwonago, WI (US); **Tandrea L. Sperfslage**, West Bend, WI (US); **Brian D. Neeley**, West Bend, WI (US); **Bart T. Mayer**, Fond du Lac, WI (US)

(56) **References Cited**

U.S. PATENT DOCUMENTS

6,582,087 B2 *	6/2003	Whitehead et al.	359/841
D489,658 S *	5/2004	Metros et al.	D12/187
7,216,993 B2 *	5/2007	Murray	359/841
2005/0259340 A1 *	11/2005	Fimeri et al.	359/879
2006/0103957 A1 *	5/2006	Olijnyk et al.	359/872

* cited by examiner

(73) Assignee: **VELVAC INCORPORATED**, New Berlin, WI (US)

Primary Examiner — Katrina A. Betton

(**) Term: **14 Years**

(74) *Attorney, Agent, or Firm* — Schiff Hardin LLP

(21) Appl. No.: **29/496,125**

(57) **CLAIM**

The ornamental design for a vehicle mirror, as shown and described.

(22) Filed: **Jul. 9, 2014**

DESCRIPTION

Related U.S. Application Data

(63) Continuation of application No. 29/321,829, filed on Jul. 24, 2008.

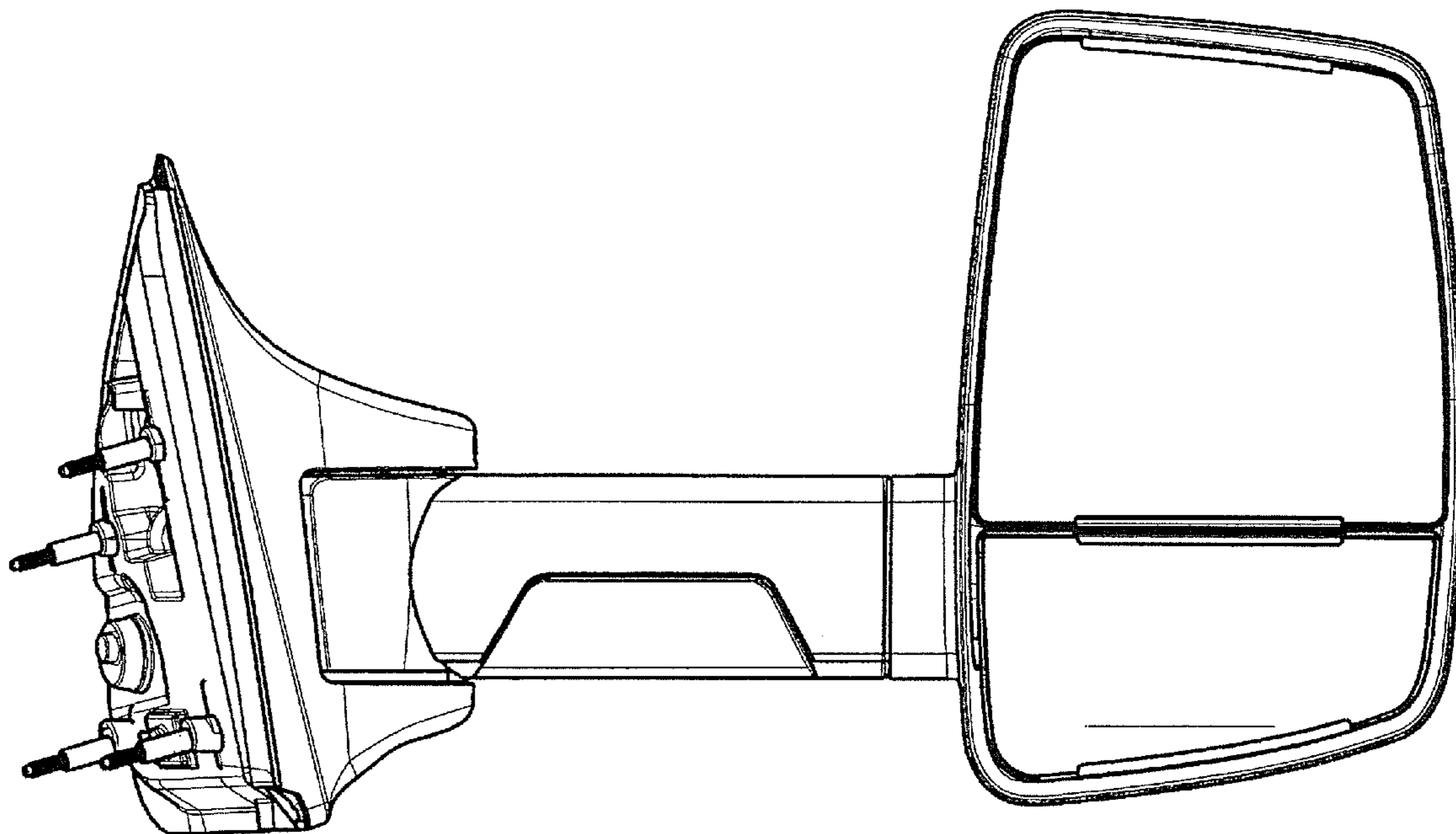
(51) **LOC (10) Cl.** **12-16**

(52) **U.S. Cl.**
USPC **D12/187**

(58) **Field of Classification Search**
USPC D12/187-189, 96; D6/300, 309;

FIG. 1 is a front, elevational view of a right vehicle mirror; FIG. 2 is a top view of a right vehicle mirror; FIG. 3 is a bottom view of a right vehicle mirror; FIG. 4 is a back view of a right vehicle mirror; FIG. 5 is a right side view of a right vehicle mirror; FIG. 6 is a left side view of a right vehicle mirror; and, FIG. 7 is a perspective view of a right vehicle mirror.

1 Claim, 7 Drawing Sheets



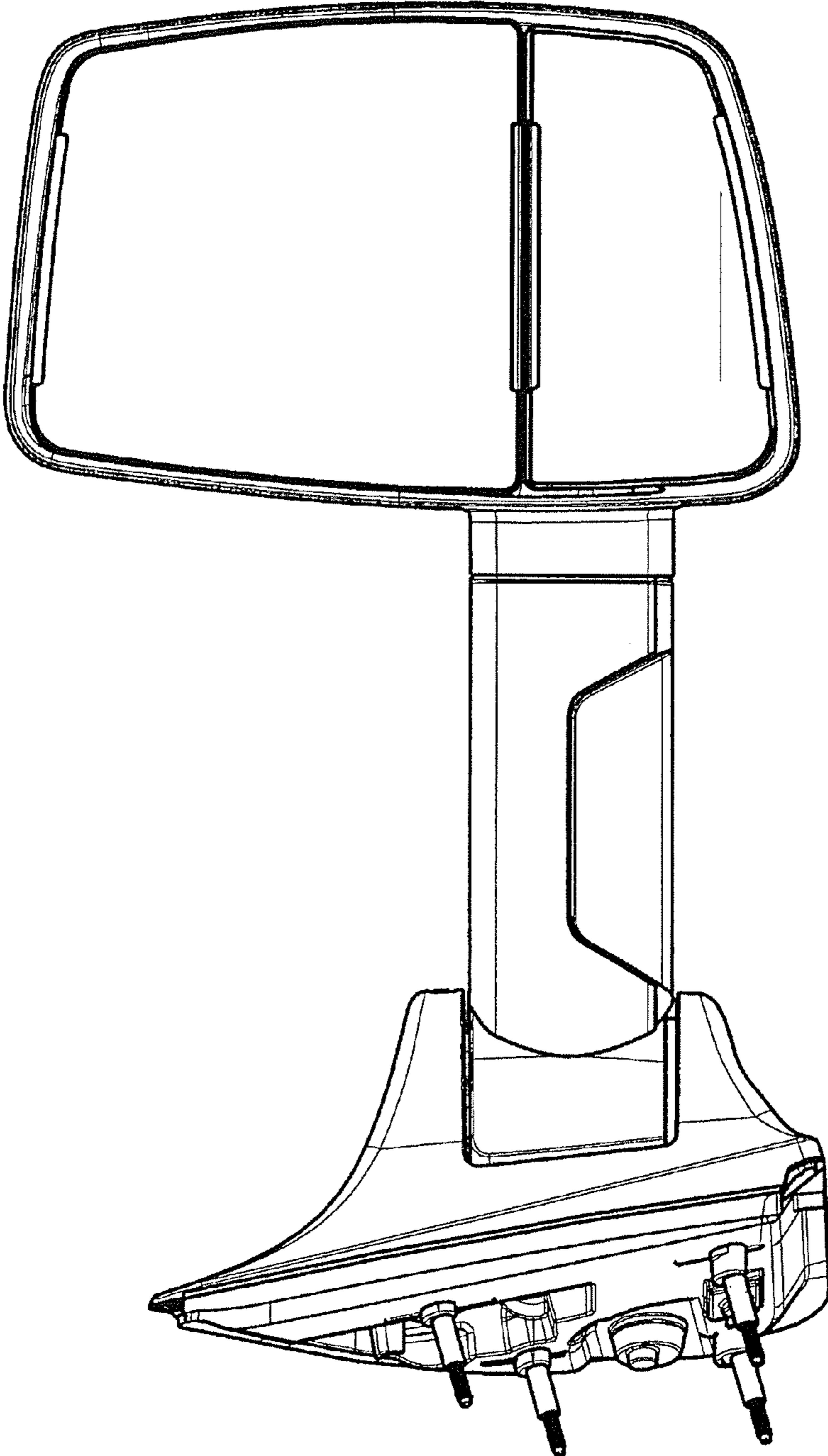


Figure 1

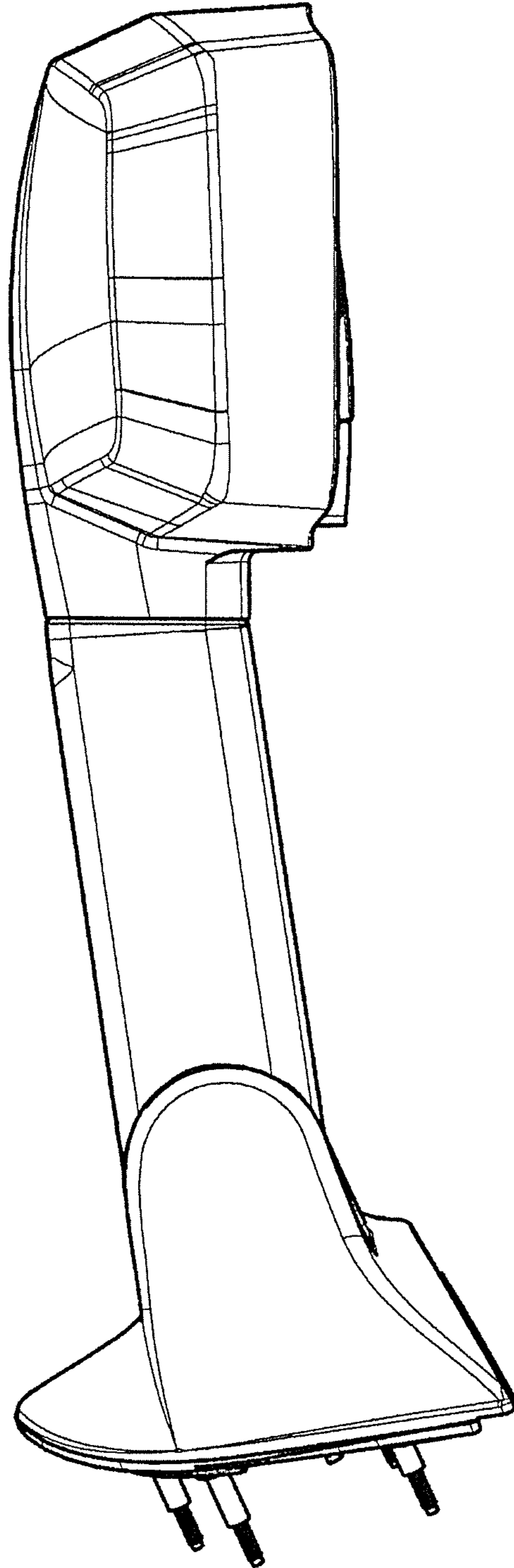


Figure 2

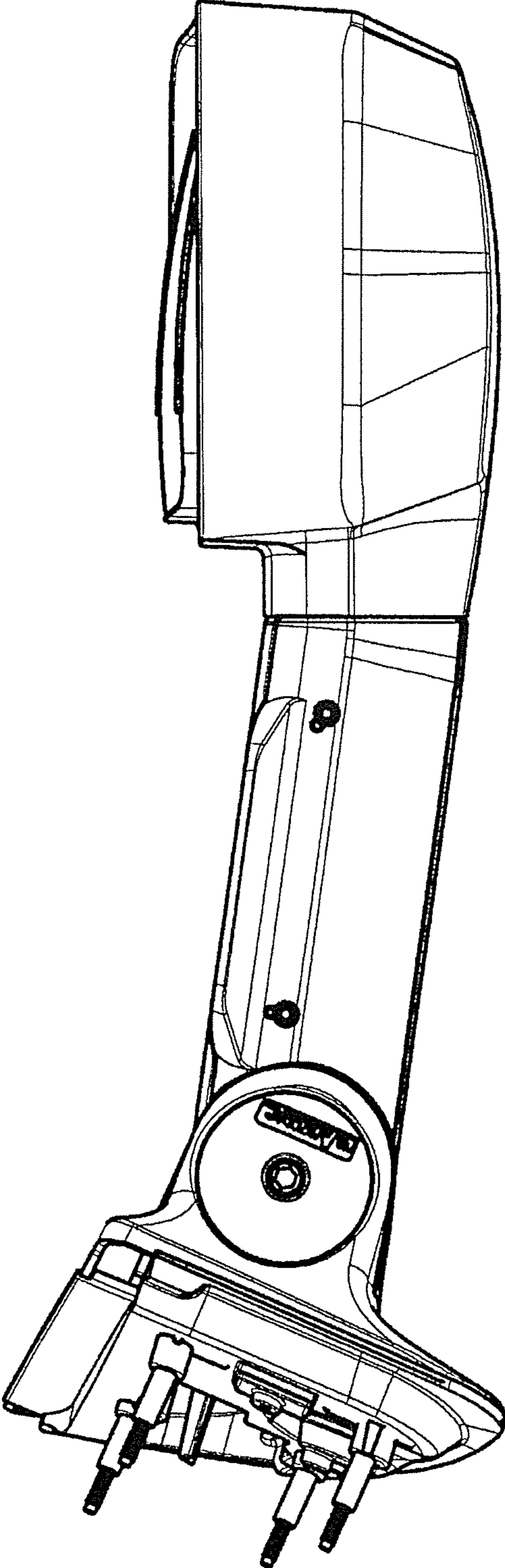


Figure 3

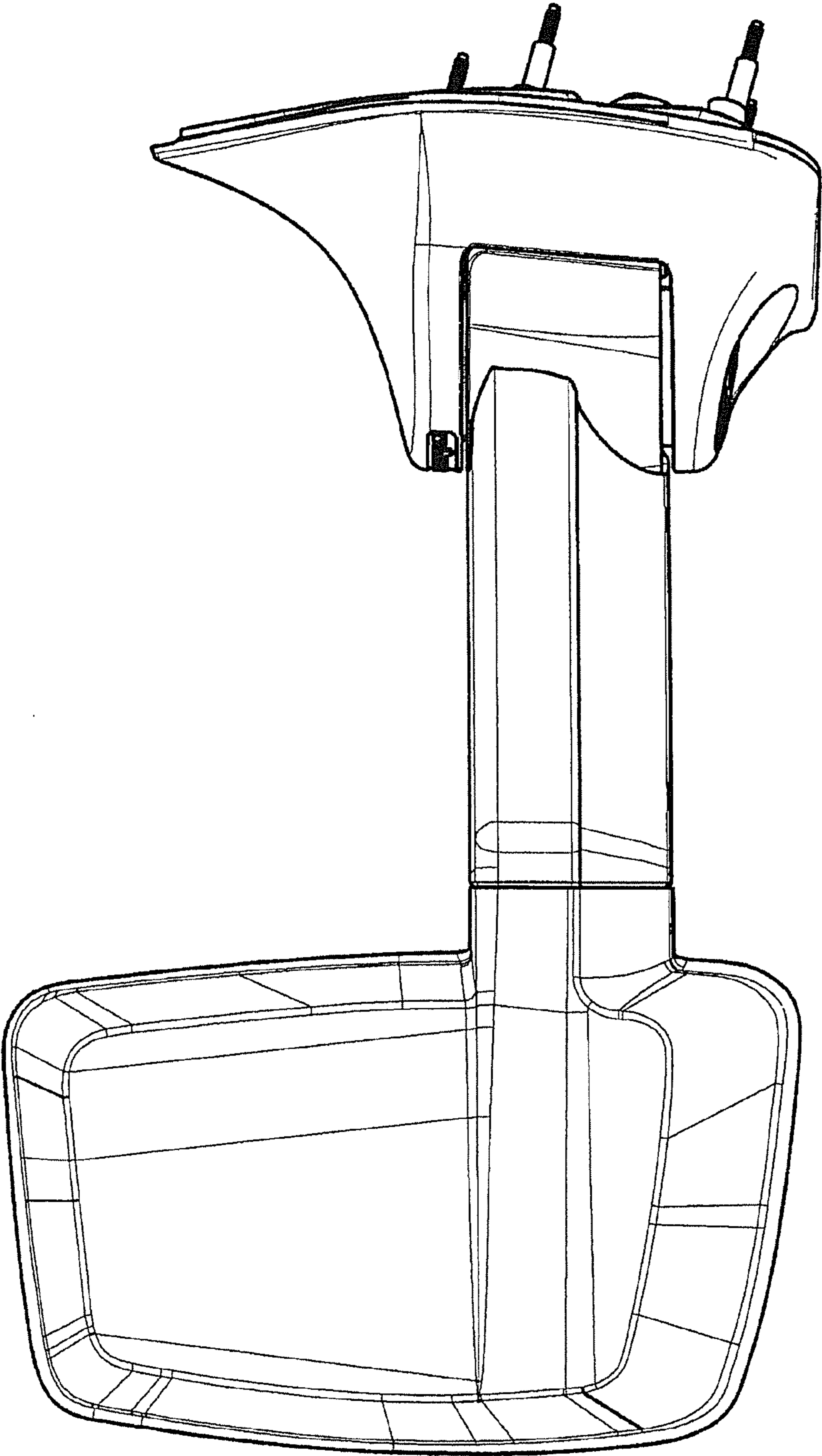


Figure 4

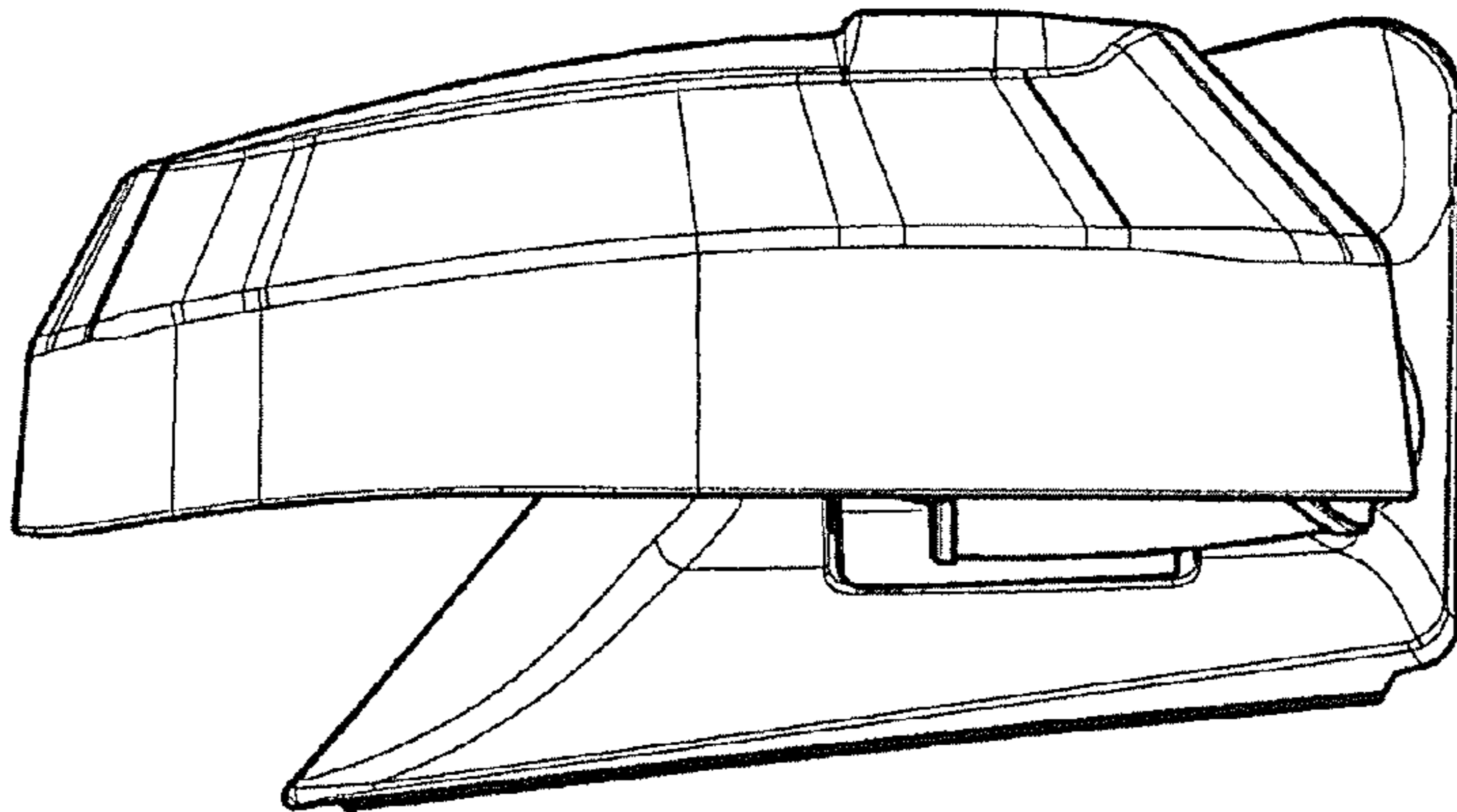


Figure 5

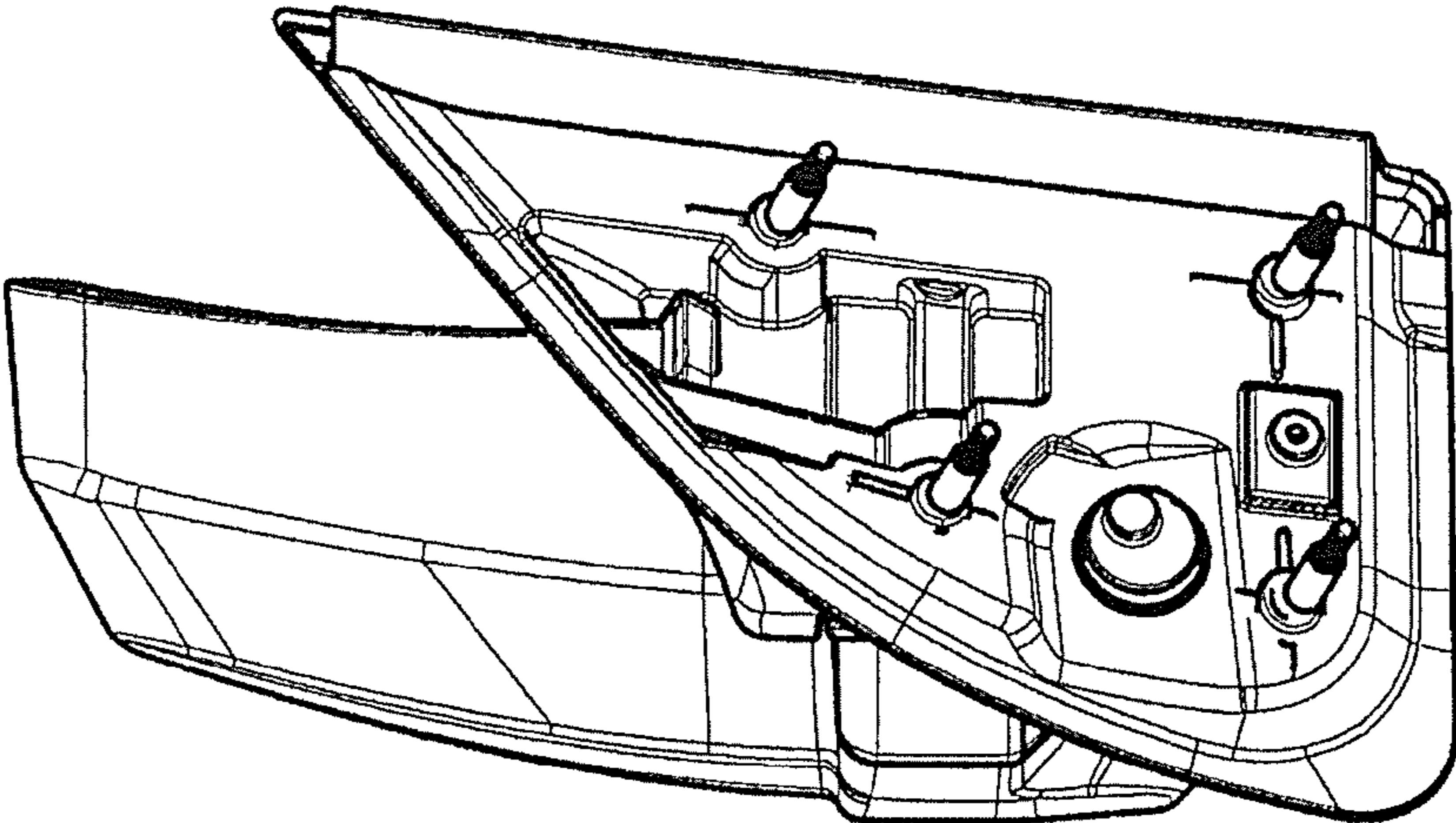


Figure 6

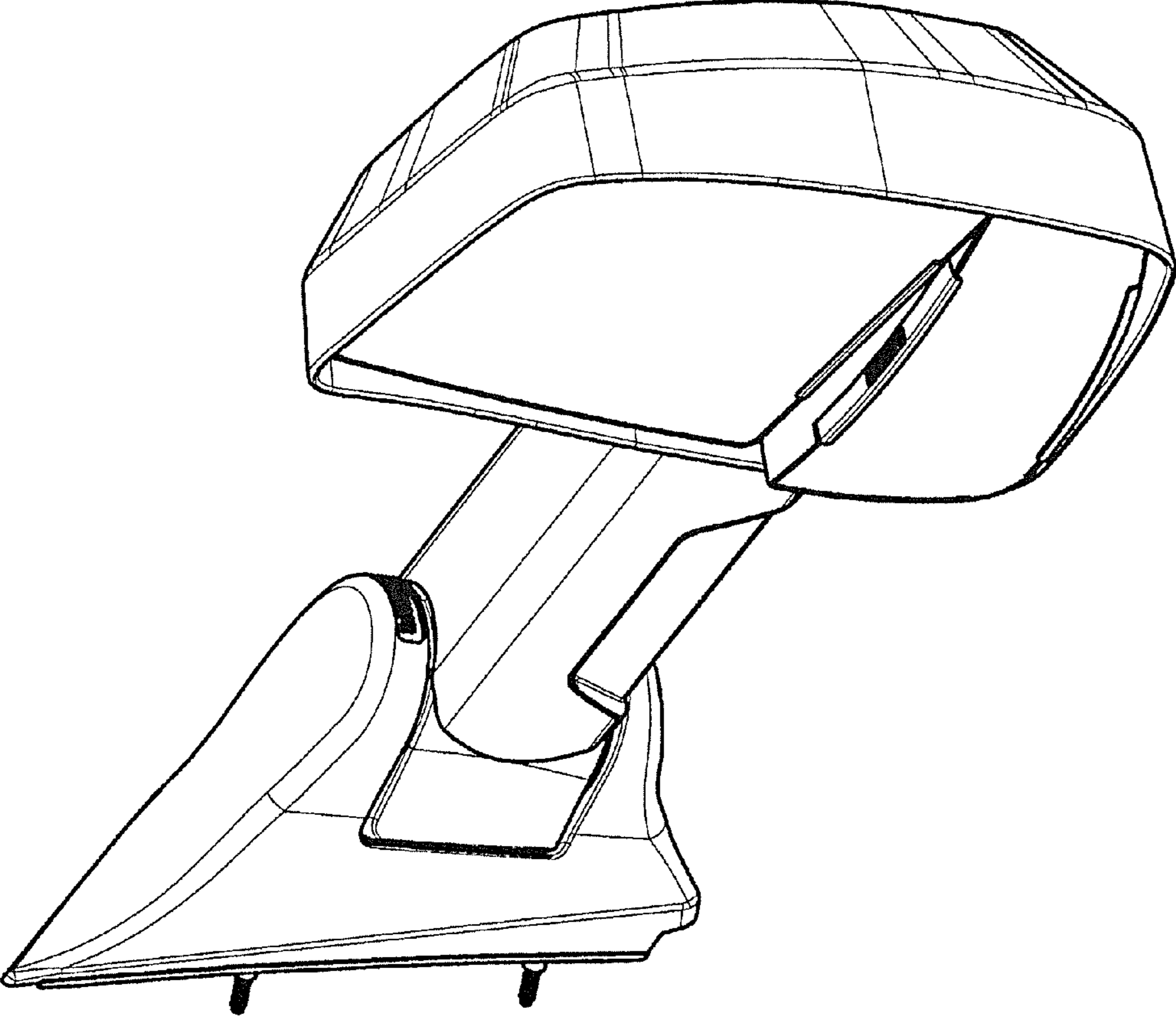


Figure 7