



US00D731370S

(12) **United States Design Patent**
Howell et al.

(10) **Patent No.:** **US D731,370 S**
(45) **Date of Patent:** **** Jun. 9, 2015**

- (54) **VEHICLE REAR BUMPER**
- (71) Applicants: **Gregory A Howell**, Farmington, MI (US); **Mark Allen**, Oxford, MI (US)
- (72) Inventors: **Gregory A Howell**, Farmington, MI (US); **Mark Allen**, Oxford, MI (US)
- (73) Assignee: **FCA US LLC**, Auburn Hills, MI (US)
- (**) Term: **14 Years**
- (21) Appl. No.: **29/489,168**
- (22) Filed: **Apr. 28, 2014**

D534,458 S	1/2007	Renkert et al.	
D551,124 S	9/2007	Aneiros et al.	
D554,564 S	11/2007	Vardis et al.	
D604,678 S	* 11/2009	Walter et al.	D12/169
D639,215 S	* 6/2011	Faghihzadeh	D12/169
D640,613 S	* 6/2011	Bauer et al.	D12/169
D650,721 S	12/2011	Galante et al.	
D664,485 S	* 7/2012	Xu et al.	D12/169
D668,594 S	* 10/2012	Davidson et al.	D12/169
D670,623 S	* 11/2012	Koehl et al.	D12/169
D671,049 S	* 11/2012	Davidson et al.	D12/169
D679,226 S	* 4/2013	Schmeckpeper	D12/169
D682,169 S	* 5/2013	Choi	D12/169
D684,904 S	* 6/2013	Tase et al.	D12/169
D686,119 S	* 7/2013	Futschik et al.	D12/169
D690,630 S	* 10/2013	Kazama	D12/169
D703,583 S	4/2014	Howell et al.	
D705,140 S	* 5/2014	Kawasaki	D12/169

Related U.S. Application Data

- (63) Continuation-in-part of application No. 29/434,717, filed on Oct. 16, 2012, now Pat. No. Des. 703,583.
- (51) **LOC (10) Cl.** **12-16**
- (52) **U.S. Cl.**
USPC **D12/169**
- (58) **Field of Classification Search**
USPC D12/169, 216, 90-92, 86, 171, 196,
D12/163; 293/102, 113, 115, 117, 120;
296/180.1, 180.2
CPC B60R 19/02; B60R 19/04; B62D 25/08
See application file for complete search history.

References Cited

U.S. PATENT DOCUMENTS

D408,329 S	4/1999	Anness et al.
D416,519 S	11/1999	Won et al.
D420,939 S	2/2000	Faurote et al.
D454,813 S	3/2002	Boniface et al.
D476,268 S	6/2003	Castiglione et al.
D519,066 S	4/2006	Ney et al.
D534,097 S	12/2006	Renkert et al.

* cited by examiner

Primary Examiner — Melody N Brown

(74) *Attorney, Agent, or Firm* — Ralph E Smith

(57) **CLAIM**

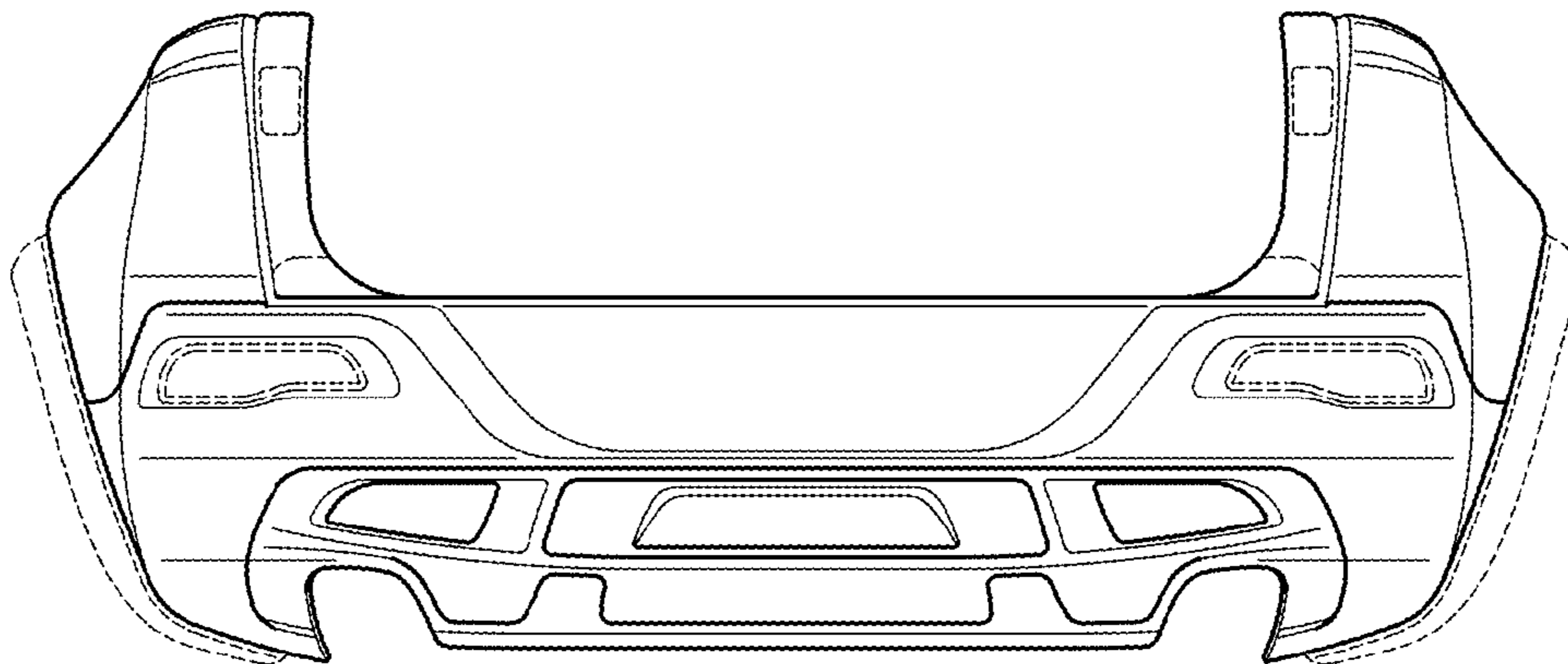
The ornamental design for a vehicle rear bumper, as shown and described.

DESCRIPTION

FIG. 1 is a front and right side perspective view of a vehicle rear bumper showing our new design; FIG. 2 is a front elevational view thereof; FIG. 3 is a rear elevational view thereof; FIG. 4 is a top plan view thereof; FIG. 5 is a bottom plan view thereof; and, FIG. 6 is a left side view thereof.

It will be understood that the broken lines shown in the drawings illustrate portions of the vehicle rear bumper that form no part of claimed design. The right side view is a mirror image of FIG. 6.

1 Claim, 2 Drawing Sheets



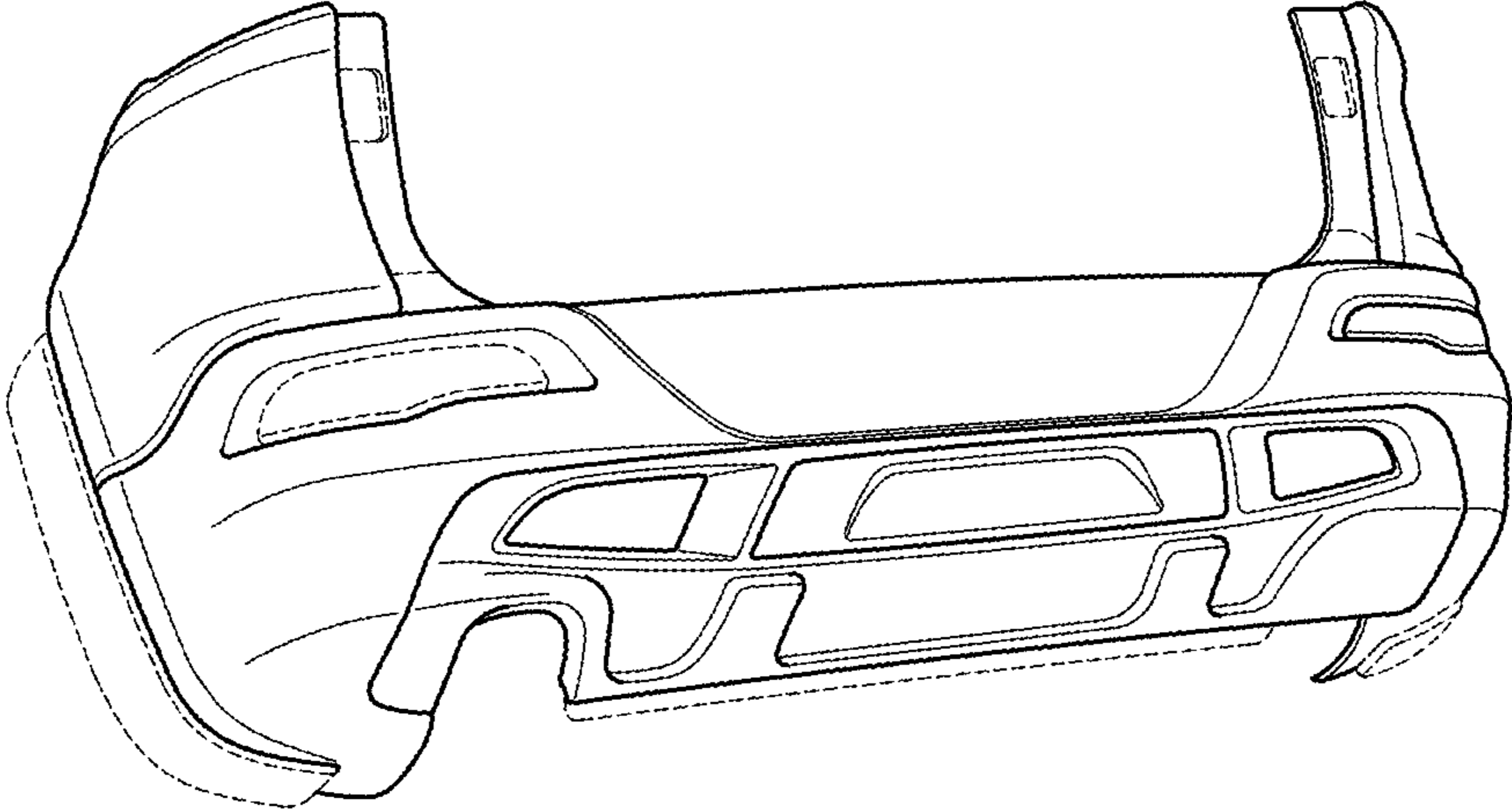


FIG. 1

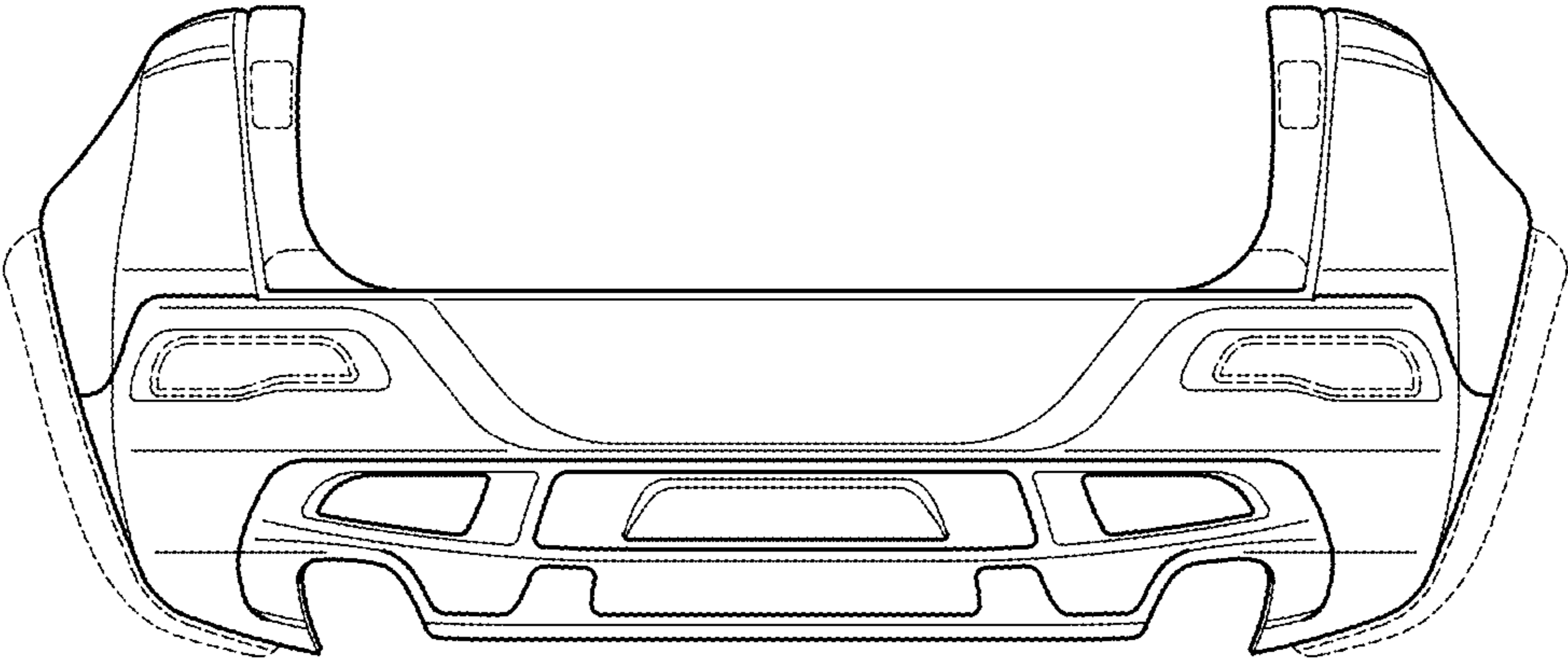


FIG. 2

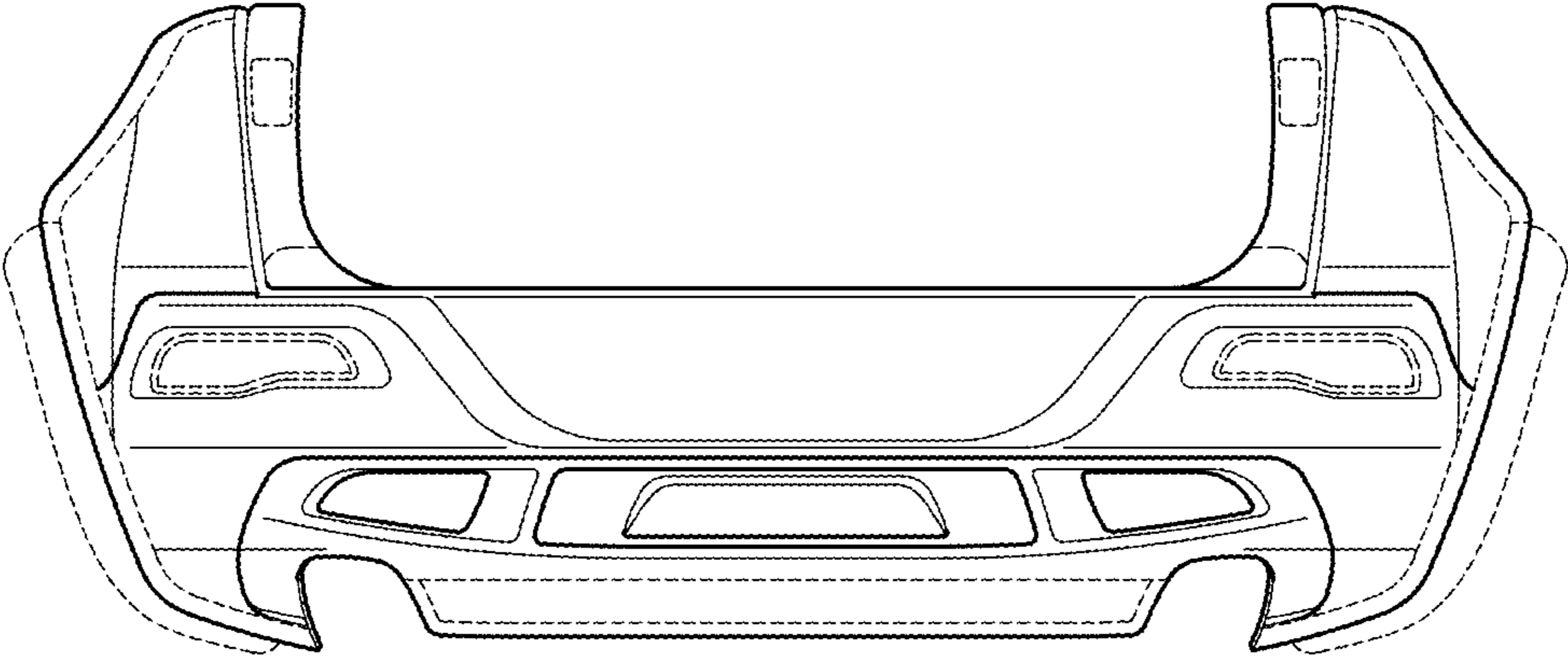


FIG. 3

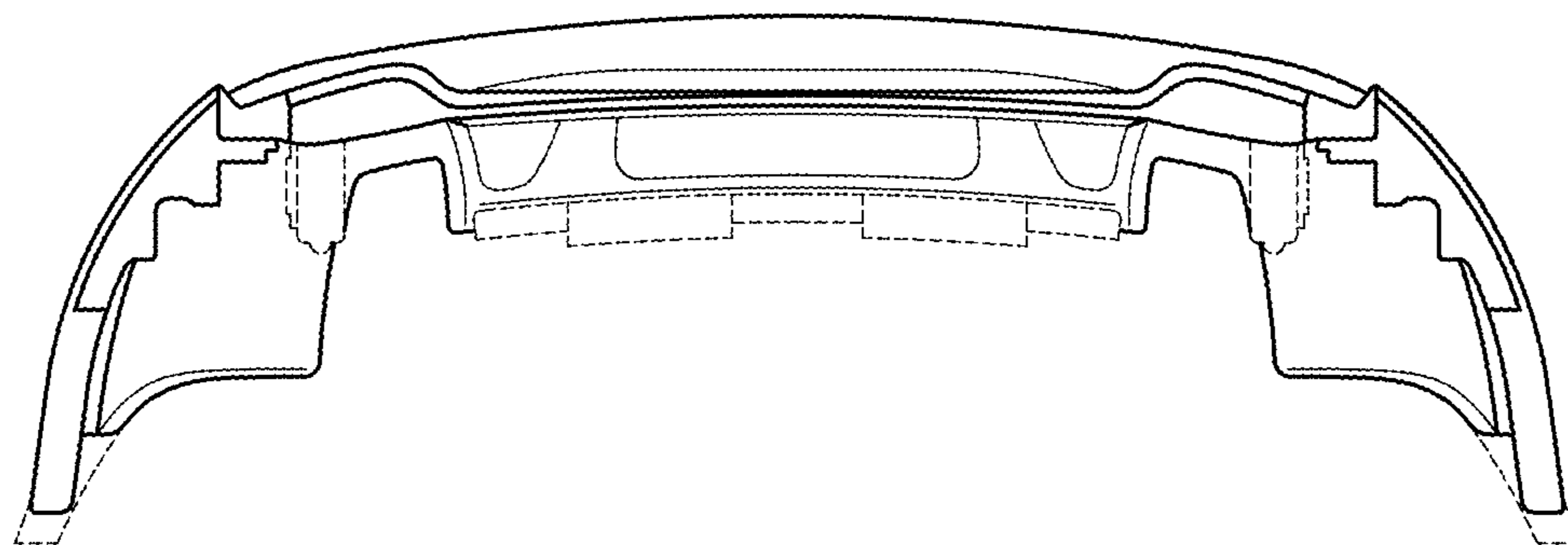


FIG. 4

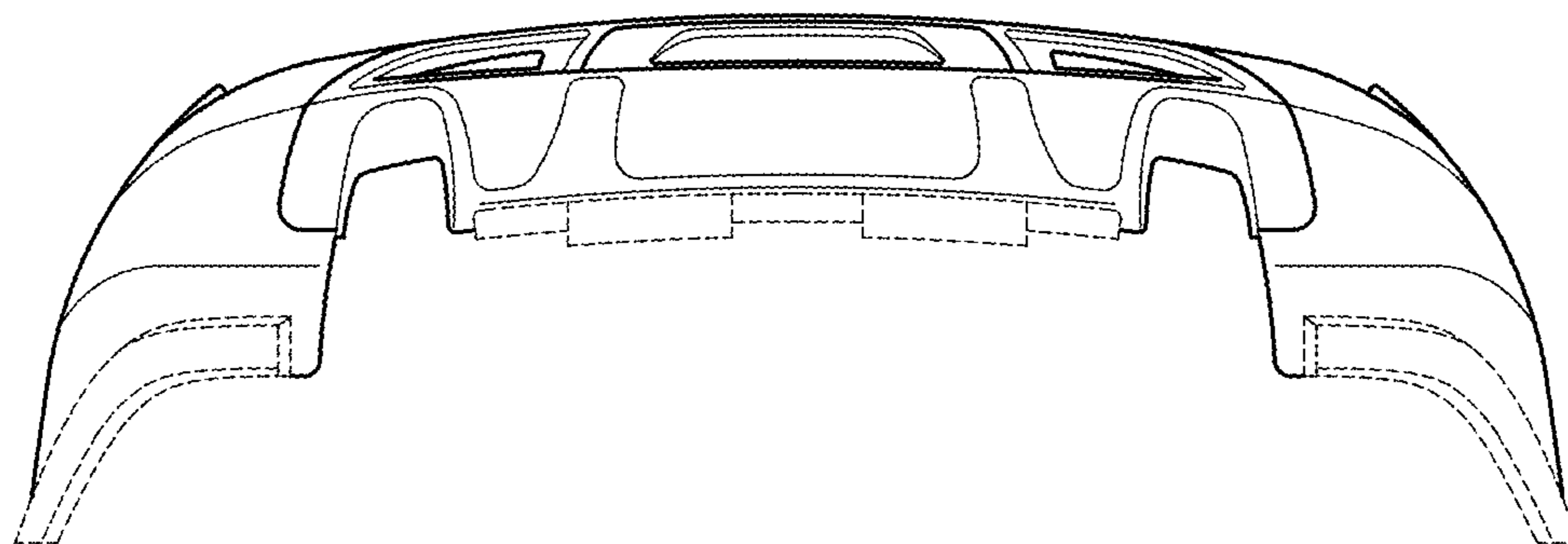


FIG. 5

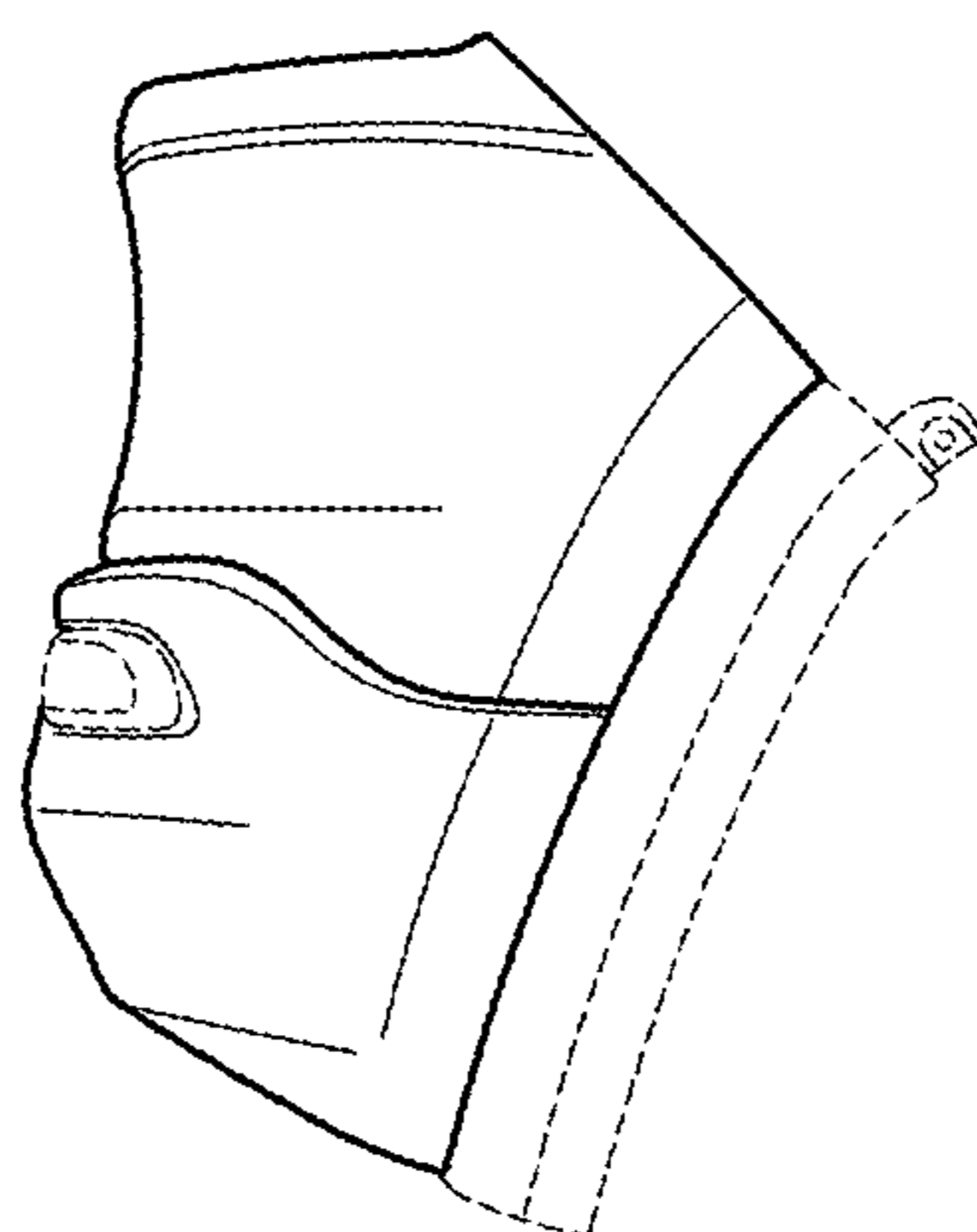


FIG. 6