



US00D731368S

(12) **United States Design Patent**
Miller et al.

(10) **Patent No.:** **US D731,368 S**
(45) **Date of Patent:** **** Jun. 9, 2015**

(54) **STRUT SUSPENSION SPACER COMBINATION**

3,309,107 A 3/1967 Chieger
3,378,250 A 4/1968 Milford
3,578,355 A 5/1971 Oeder
3,586,306 A 6/1971 Reece et al.
3,954,257 A 5/1976 Keijzer et al.
4,458,605 A 7/1984 Herring, Jr. et al.

(71) Applicant: **Stempf Automotive Industries, Inc.**,
Minnetonka, MN (US)

(72) Inventors: **Shawn Christopher Miller**, Mllaca, MN
(US); **John W. Ryshavy**, Wayzata, MN
(US)

(Continued)

(73) Assignee: **Stempf Automotive Industries, Inc.**,
Minnetonka, MN (US)

FOREIGN PATENT DOCUMENTS

EP 566039 10/1993
GB 2075441 11/1981
JP 2004270717 9/2004

(**) Term: **14 Years**

OTHER PUBLICATIONS

(21) Appl. No.: **29/479,296**

Topguncustomz.com, website, All Steel Leveling Spacers, pp. 1-2.

(22) Filed: **Jan. 14, 2014**

(Continued)

(51) **LOC (10) Cl.** **12-16**

Primary Examiner — Michael A Pratt

(52) **U.S. Cl.**

(74) *Attorney, Agent, or Firm* — Haugen Law Firm PLLP

USPC **D12/159**

(58) **Field of Classification Search**

(57) **CLAIM**

USPC 280/124.155, 124.147, 124.145,
280/124.146, 86.752, 11.225; 188/281,
188/298, 297, 315, 316, 274, 286; 267/195,
267/136, 64.15, 217; 464/173; D12/118,
D12/400, 161, 159, 160; 293/134
CPC F16F 1/02; F16F 1/36; F16F 7/003;
F16F 7/01; F16F 7/02; F16F 7/08; F16F 7/10;
F16F 7/12; F16F 7/14; B62D 1/02; B62D
1/24; B62D 21/02; B62D 21/06; B62D 21/07;
B62D 21/08; B62D 21/09; B62D 21/10;
B62D 21/11; B62D 21/12; B62D 21/14;
B62D 21/15; B62D 21/16; B62D 21/17;
B62D 21/18; B62D 27/02; B62D 27/04;
B62D 27/06

The ornamental design for a strut suspension spacer combination, as shown and described.

See application file for complete search history.

DESCRIPTION

(56) **References Cited**

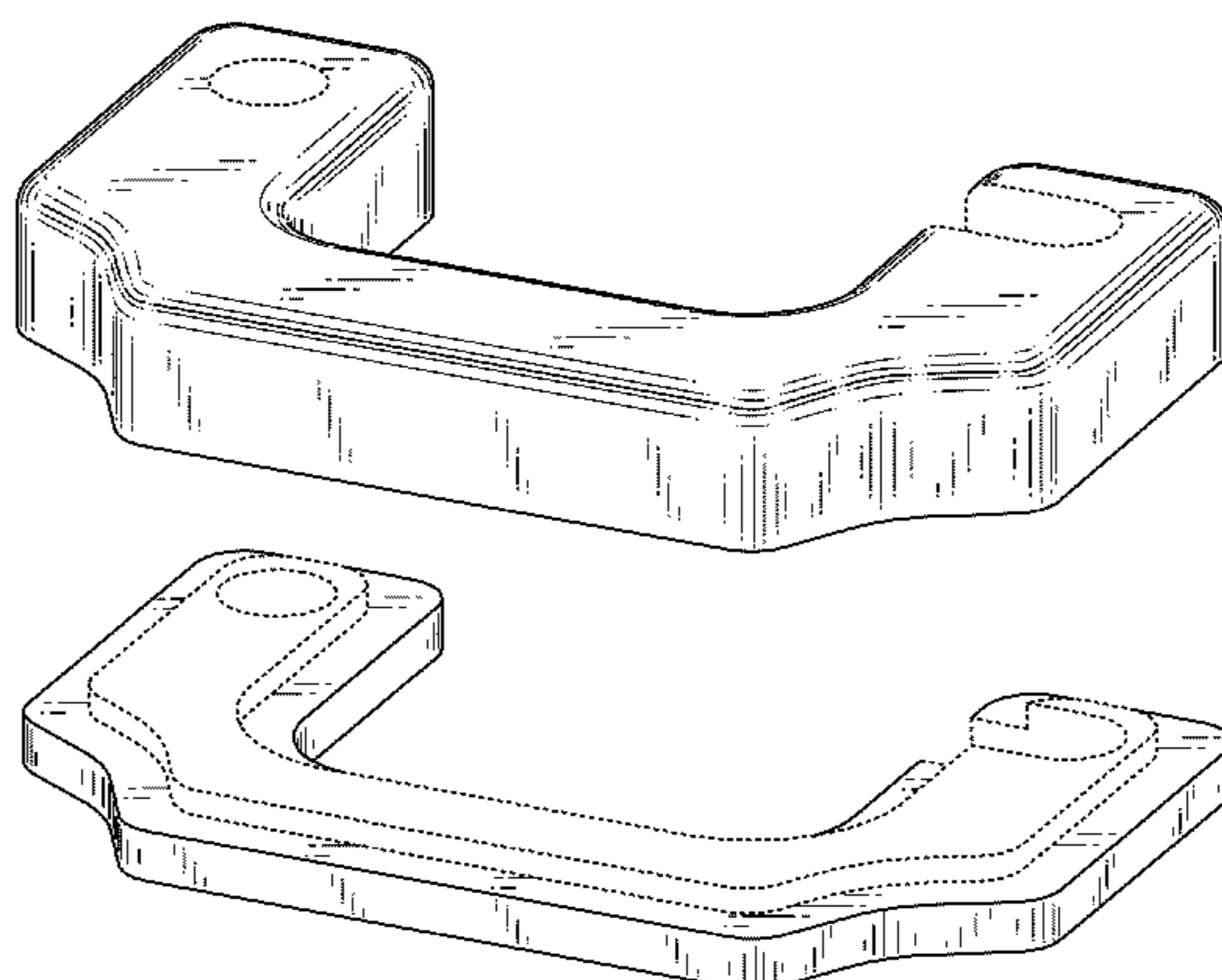
FIG. 1 is a front top perspective view of the strut suspension spacer combination of the present invention;
FIG. 2 is a rear, bottom perspective view of the spacer combination shown in FIG. 1;
FIG. 3 is a front view of the spacer combination shown in FIG. 1;
FIG. 4 is a back view of the spacer combination shown in FIG. 1;
FIG. 5 is a left end view of the spacer combination shown in FIG. 1; and,
FIG. 6 is a right end view of the spacer combination shown in FIG. 1.

U.S. PATENT DOCUMENTS

1,881,227 A 10/1932 Jackson
2,233,627 A 3/1941 McDonald

The broken lines showing voids and contours are for illustrative purposes only, and forms no part of the claimed design.

1 Claim, 5 Drawing Sheets



(56)

References Cited

U.S. PATENT DOCUMENTS

4,505,457 A 3/1985 Okada et al.
 4,585,211 A 4/1986 Griffin
 4,647,069 A 3/1987 Iijima
 4,721,325 A 1/1988 Mackoviak et al.
 5,018,224 A * 5/1991 Hodges 4/252.6
 5,080,388 A 1/1992 Berry et al.
 5,135,203 A 8/1992 Wijnhoven et al.
 5,232,209 A * 8/1993 de Fontenay 267/220
 5,467,971 A 11/1995 Hurtubise et al.
 5,470,049 A 11/1995 Wohler et al.
 5,788,262 A 8/1998 Dazy et al.
 5,868,408 A * 2/1999 Miller 280/87.042
 5,957,651 A 9/1999 Takebayashi et al.
 5,967,536 A 10/1999 Spivey et al.
 6,053,112 A 4/2000 Jones, Jr.
 6,161,822 A 12/2000 Hurst et al.
 6,257,601 B1 7/2001 Spears et al.
 6,260,835 B1 7/2001 Angles et al.
 6,273,407 B1 8/2001 Germano
 6,293,572 B1 9/2001 Robbins et al.
 6,328,321 B1 12/2001 Nolan
 6,382,645 B1 5/2002 Gravelle et al.
 6,485,223 B1 11/2002 Van Schmus et al.
 6,820,883 B2 11/2004 Lang et al.
 6,827,184 B1 12/2004 Lin
 6,843,352 B2 1/2005 Jacoby et al.
 6,923,461 B2 8/2005 Momose et al.

6,957,806 B2 10/2005 Tubbs
 6,986,519 B2 1/2006 Smith
 7,066,309 B2 6/2006 Colas et al.
 7,284,644 B2 10/2007 Cmich et al.
 7,311,181 B2 12/2007 Germano et al.
 7,537,225 B2 5/2009 Ryshavy et al.
 7,607,668 B2 10/2009 Dugandzic et al.
 7,665,743 B2 2/2010 Poncher et al.
 7,780,178 B2 8/2010 Ryshavy et al.
 7,850,183 B1 12/2010 Ryshavy et al.
 7,976,039 B2 7/2011 Hirve et al.
 7,988,166 B2 8/2011 Heeren et al.
 8,109,492 B2 2/2012 Winocur
 8,196,942 B2 6/2012 Heeren et al.
 8,317,210 B1 11/2012 Ryshavy et al.
 8,516,672 B2 8/2013 Wohlfarth
 2004/0089990 A1 5/2004 Labeau
 2004/0155424 A1 8/2004 Hicks et al.
 2005/0017475 A1 1/2005 Hellums
 2007/0187919 A1 8/2007 Furman
 2008/0191440 A1 * 8/2008 Ryshavy et al. 280/124.1
 2011/0232034 A1 * 9/2011 Chu et al. 16/297
 2011/0318140 A1 12/2011 Chang
 2012/0098215 A1 4/2012 Rositch et al.
 2013/0049319 A1 * 2/2013 Ryshavy et al. 280/124.175

OTHER PUBLICATIONS

Roughcountry.com, website, 2.5in GM Leveling Lift Kit, pp. 1-2.

* cited by examiner

Fig. 1

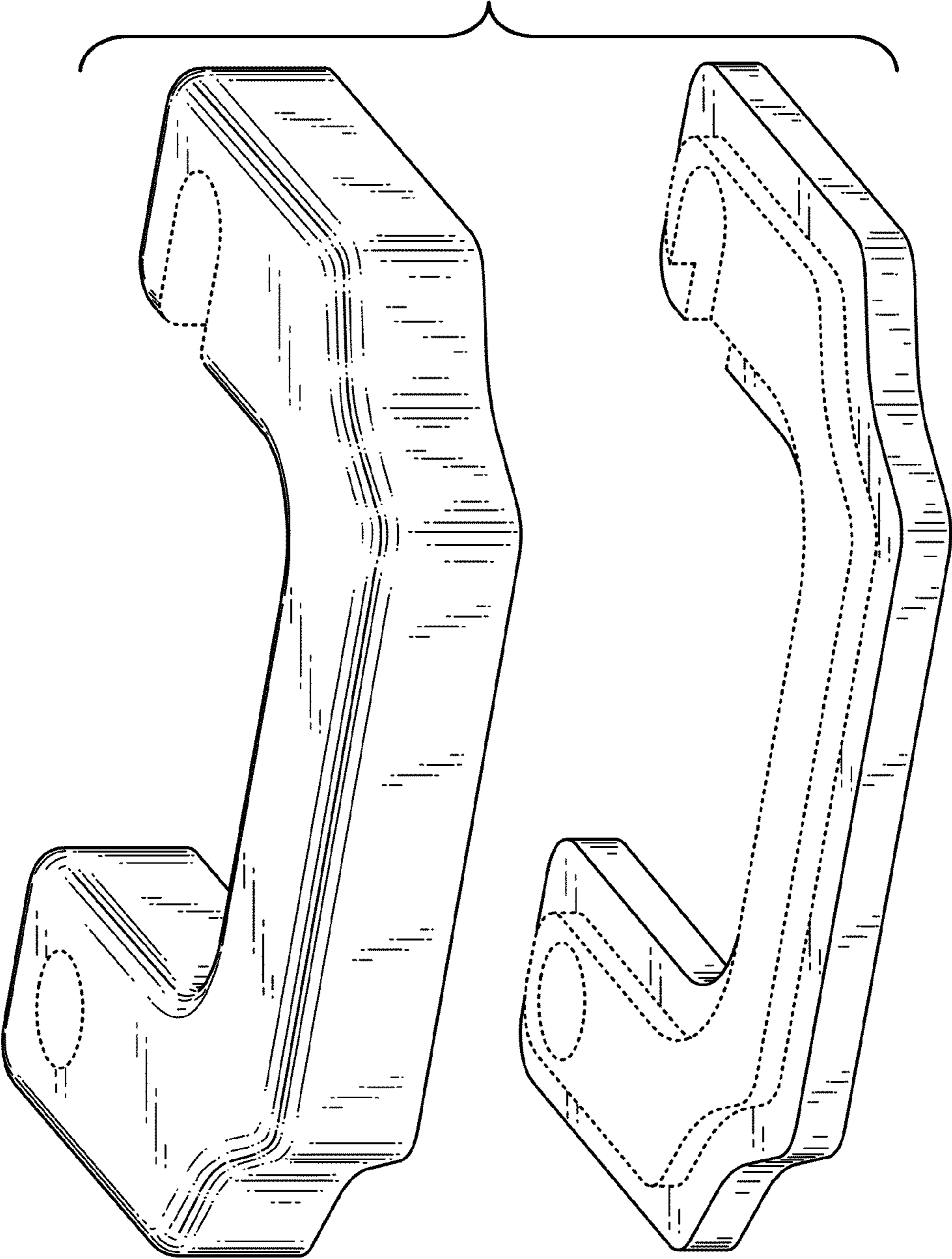


Fig. 2

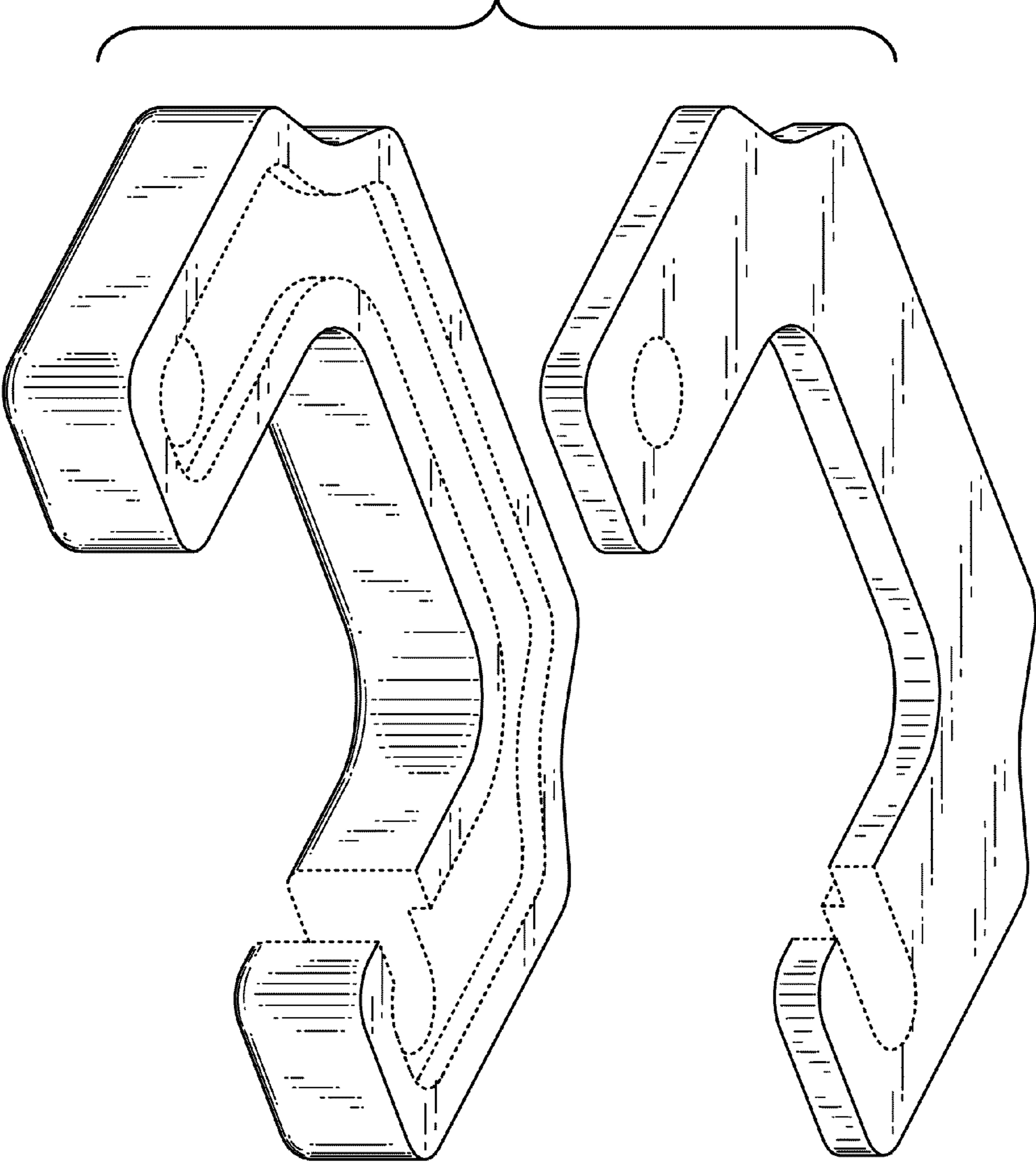


Fig. 3

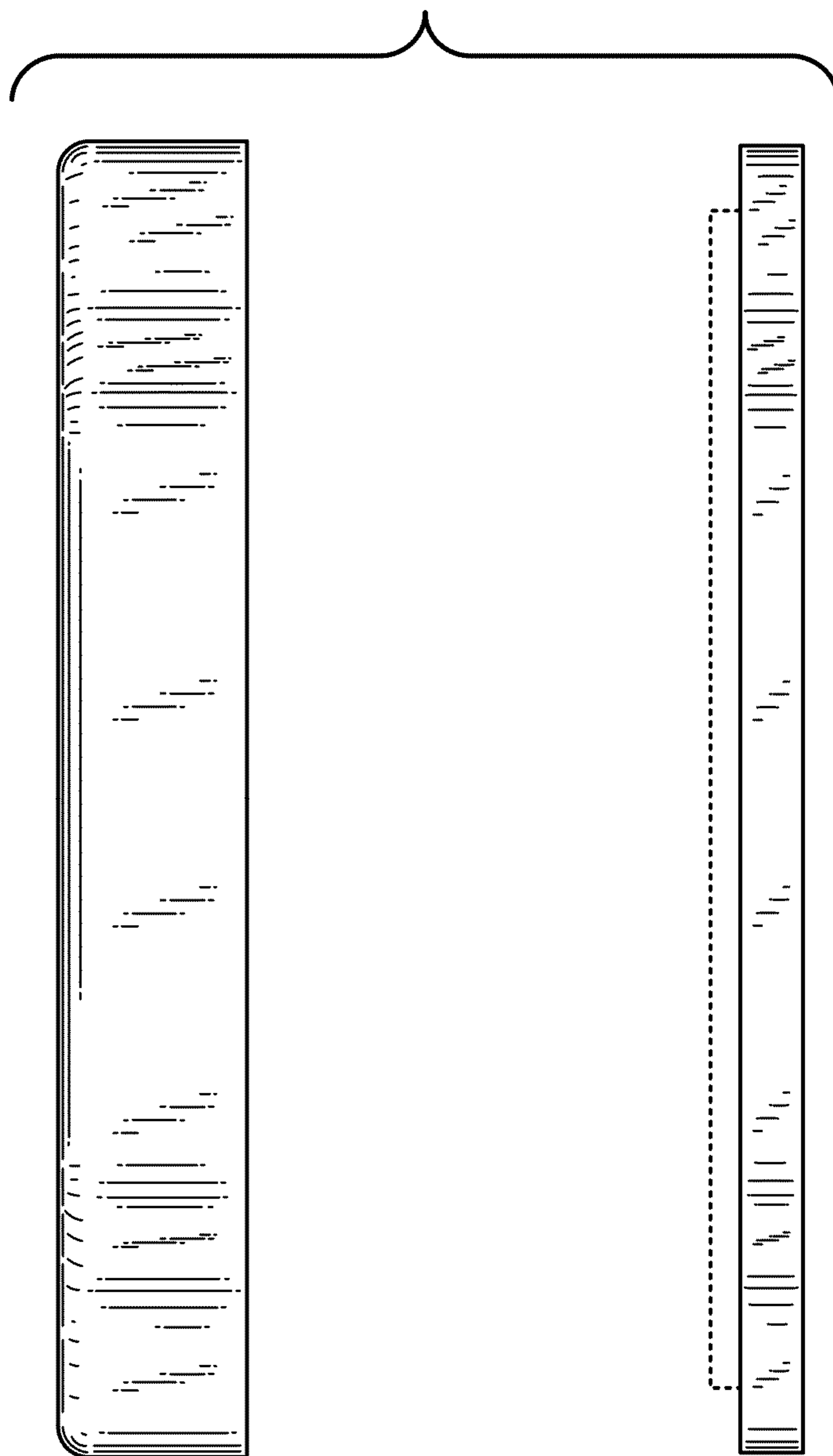
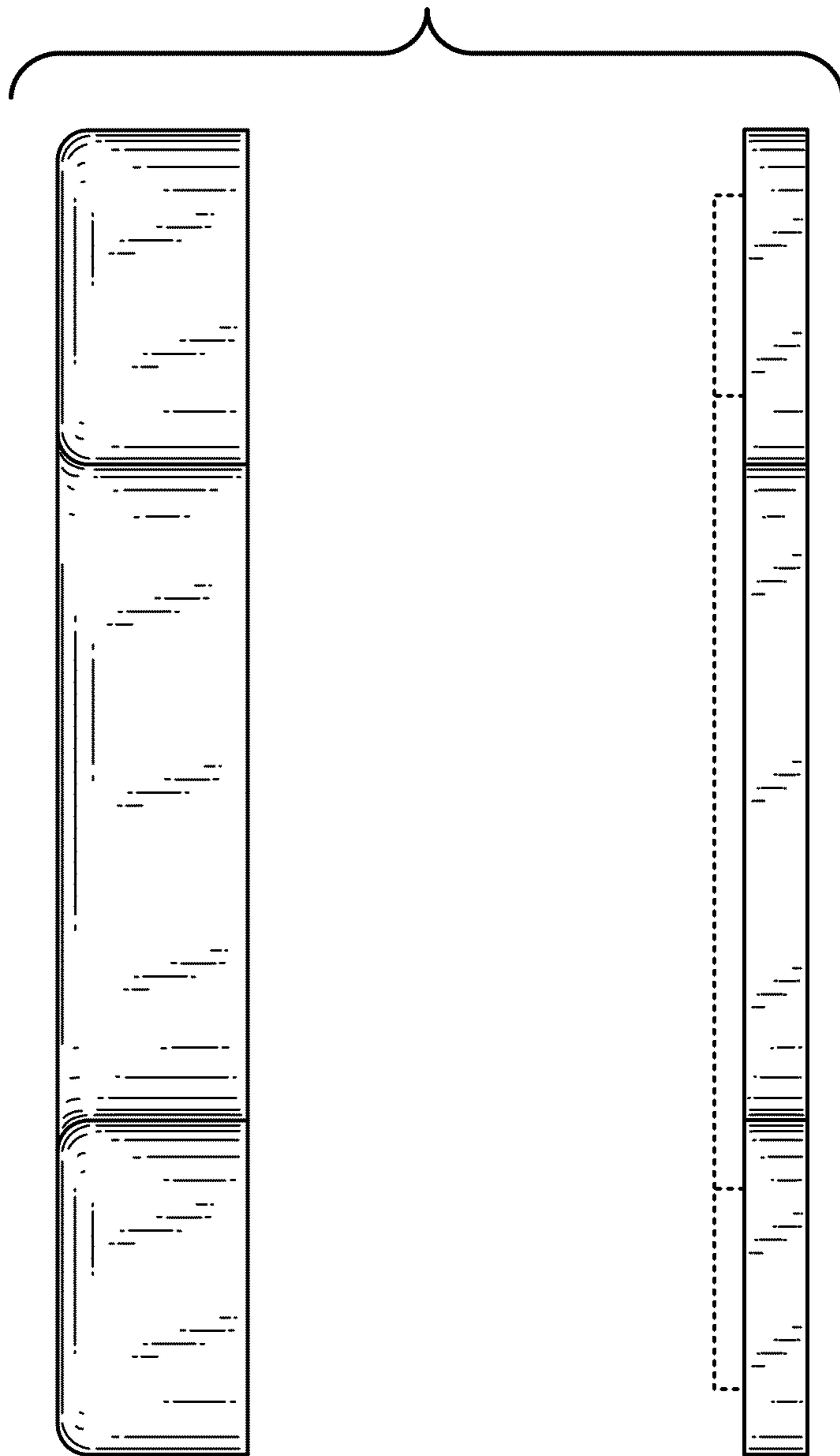


Fig. 4



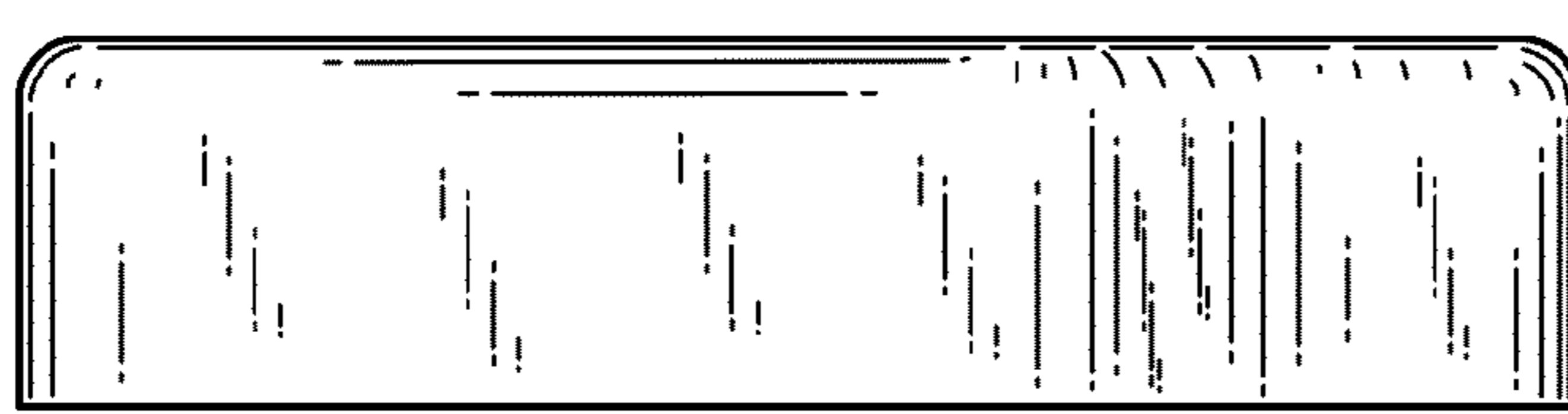


Fig. 5

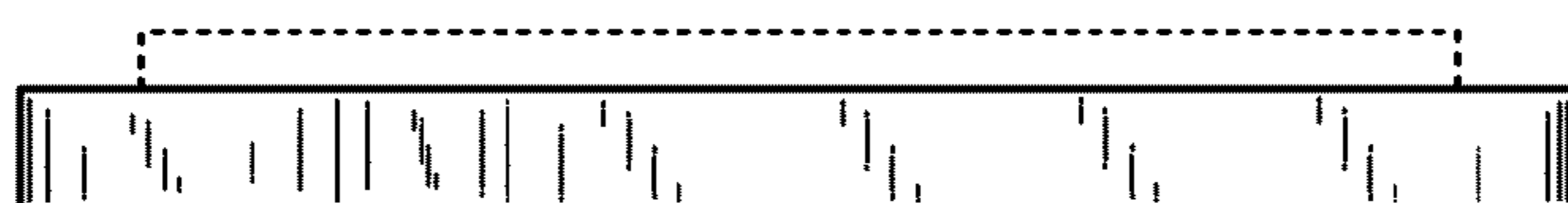
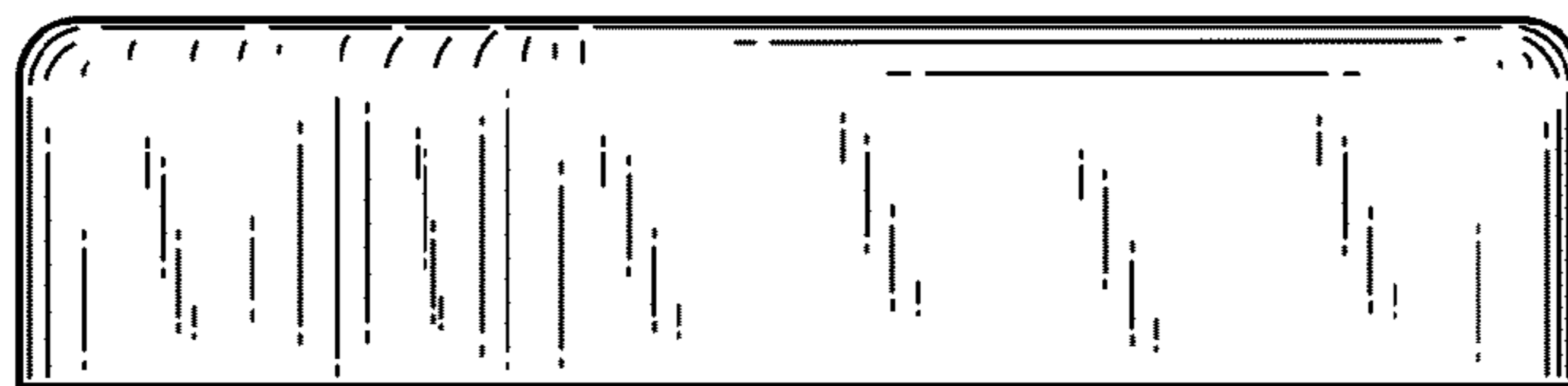


Fig. 6