



US00D731367S

(12) **United States Design Patent**  
**Miller et al.**

(10) **Patent No.:** **US D731,367 S**  
(45) **Date of Patent:** **\*\* Jun. 9, 2015**

(54) **STRUT SUSPENSION SPACER**

(56) **References Cited**

(71) Applicant: **Stempf Automotive Industries, Inc.**,  
Minnetonka, MN (US)  
(72) Inventors: **Shawn Christopher Miller**, Mllaca, MN  
(US); **John W. Ryshavy**, Wayzata, MN  
(US)  
(73) Assignee: **Stempf Automotive Industries, Inc.**,  
Minnetonka, MN (US)

U.S. PATENT DOCUMENTS

1,881,227 A	10/1932	Jackson
2,233,627 A	3/1941	McDonald
3,309,107 A	3/1967	Chieger
3,378,250 A	4/1968	Milford
3,578,355 A	5/1971	Oeder
3,586,306 A	6/1971	Reece et al.
3,954,257 A	5/1976	Keijzer et al.
4,458,605 A	7/1984	Herring, Jr. et al.
4,505,457 A	3/1985	Okada et al.

(Continued)

(\*\*) Term: **14 Years**

FOREIGN PATENT DOCUMENTS

(21) Appl. No.: **29/479,293**

EP	566039	10/1993
GB	2075441	11/1981
JP	2004270717	9/2004

(22) Filed: **Jan. 14, 2014**

OTHER PUBLICATIONS

(51) **LOC (10) Cl.** ..... **12-16**

Topguncustomz.com, website, All Steel Leveling Spacers, pp. 1-2.

(52) **U.S. Cl.**

(Continued)

USPC ..... **D12/159**

(58) **Field of Classification Search**

*Primary Examiner* — Michael A Pratt

USPC ..... 280/124.155, 124.147, 124.145,  
280/124.146, 86.752, 11.225; 188/281,  
188/298, 297, 315, 316, 274, 286; 267/195,  
267/136, 64.15, 217; 464/173; D12/118,  
D12/400, 161, 159, 160; 293/134  
CPC ..... F16F 1/02; F16F 1/36; F16F 7/003;  
F16F 7/01; F16F 7/02; F16F 7/08; F16F 7/10;  
F16F 7/12; F16F 7/14; B62D 1/02; B62D  
1/24; B62D 21/02; B62D 21/06; B62D 21/07;  
B62D 21/08; B62D 21/09; B62D 21/10;  
B62D 21/11; B62D 21/12; B62D 21/14;  
B62D 21/15; B62D 21/16; B62D 21/17;  
B62D 21/18; B62D 27/02; B62D 27/04;  
B62D 27/06

(74) *Attorney, Agent, or Firm* — Haugen Law Firm PLLP

(57) **CLAIM**

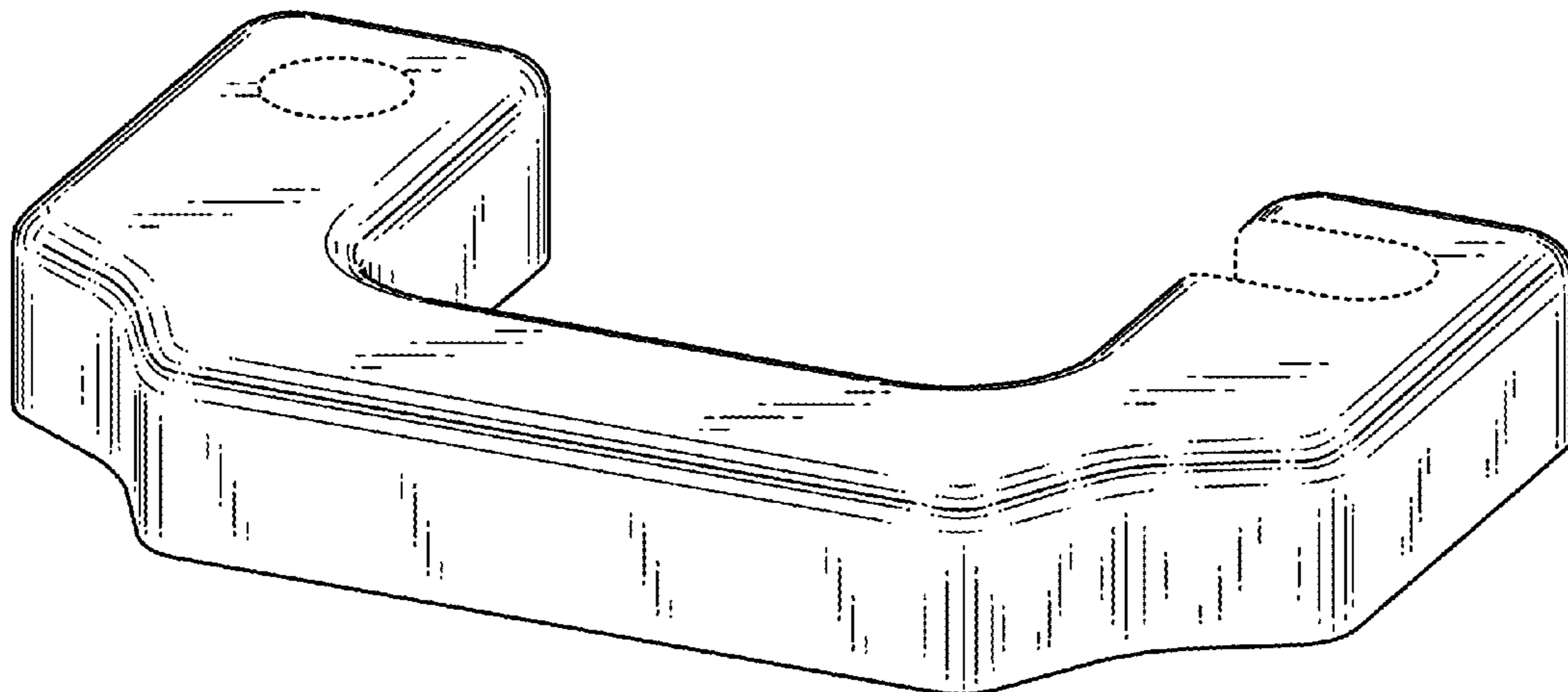
The ornamental design for a strut suspension spacer, as shown and described.

**DESCRIPTION**

FIG. 1 is a front top perspective view of the strut suspension spacer of the present invention;  
FIG. 2 is a rear, bottom perspective view of the spacer shown in FIG. 1;  
FIG. 3 is a front view of the spacer shown in FIG. 1;  
FIG. 4 is a back view of the spacer shown in FIG. 1;  
FIG. 5 is a left end view of the spacer shown in FIG. 1; and,  
FIG. 6 is a right end view of the spacer shown in FIG. 1.  
The broken lines showing voids and contours are for illustrative purposes only, and forms no part of the claimed design.

See application file for complete search history.

**1 Claim, 2 Drawing Sheets**



(56)

References Cited

U.S. PATENT DOCUMENTS

4,585,211 A 4/1986 Griffin  
 4,647,069 A 3/1987 Iijima  
 4,721,325 A 1/1988 Mackoviak et al.  
 5,018,224 A \* 5/1991 Hodges ..... 4/252.6  
 5,080,388 A 1/1992 Berry et al.  
 5,135,203 A 8/1992 Wijnhoven et al.  
 5,232,209 A \* 8/1993 de Fontenay ..... 267/220  
 5,467,971 A 11/1995 Hurtubise et al.  
 5,470,049 A 11/1995 Wohler et al.  
 5,788,262 A 8/1998 Dazy et al.  
 5,868,408 A \* 2/1999 Miller ..... 280/87.042  
 5,957,651 A 9/1999 Takebayashi et al.  
 5,967,536 A 10/1999 Spivey et al.  
 6,053,112 A 4/2000 Jones, Jr.  
 6,161,822 A 12/2000 Hurst et al.  
 6,257,601 B1 7/2001 Spears et al.  
 6,260,835 B1 7/2001 Angles et al.  
 6,273,407 B1 8/2001 Germano  
 6,293,572 B1 9/2001 Robbins et al.  
 6,328,321 B1 12/2001 Nolan  
 6,382,645 B1 5/2002 Gravelle et al.  
 6,485,223 B1 11/2002 Van Schmus et al.  
 6,820,883 B2 11/2004 Lang et al.  
 6,827,184 B1 12/2004 Lin  
 6,843,352 B2 1/2005 Jacoby et al.  
 6,923,461 B2 8/2005 Momose et al.

6,957,806 B2 10/2005 Tubbs  
 6,986,519 B2 1/2006 Smith  
 7,066,309 B2 6/2006 Colas et al.  
 7,284,644 B2 10/2007 Cmich et al.  
 7,311,181 B2 12/2007 Germano et al.  
 7,537,225 B2 5/2009 Ryshavy et al.  
 7,607,668 B2 10/2009 Dugandzic et al.  
 7,665,743 B2 2/2010 Poncher et al.  
 7,780,178 B2 8/2010 Ryshavy et al.  
 7,850,183 B1 12/2010 Ryshavy et al.  
 7,976,039 B2 7/2011 Hirve et al.  
 7,988,166 B2 8/2011 Heeren et al.  
 8,109,492 B2 2/2012 Winocur  
 8,196,942 B2 6/2012 Heeren et al.  
 8,317,210 B1 11/2012 Ryshavy et al.  
 8,516,672 B2 8/2013 Wohlfarth  
 2004/0089990 A1 5/2004 Labeau  
 2004/0155424 A1 8/2004 Hicks et al.  
 2005/0017475 A1 1/2005 Hellums  
 2007/0187919 A1 8/2007 Furman  
 2008/0191440 A1 \* 8/2008 Ryshavy et al. .... 280/124.1  
 2011/0232034 A1 \* 9/2011 Chu et al. .... 16/297  
 2011/0318140 A1 12/2011 Chang  
 2012/0098215 A1 4/2012 Rositch et al.  
 2013/0049319 A1 \* 2/2013 Ryshavy et al. .... 280/124.175

OTHER PUBLICATIONS

Roughcountry.com, website, 2.5in GM Leveling Lift Kit, pp. 1-2.

\* cited by examiner

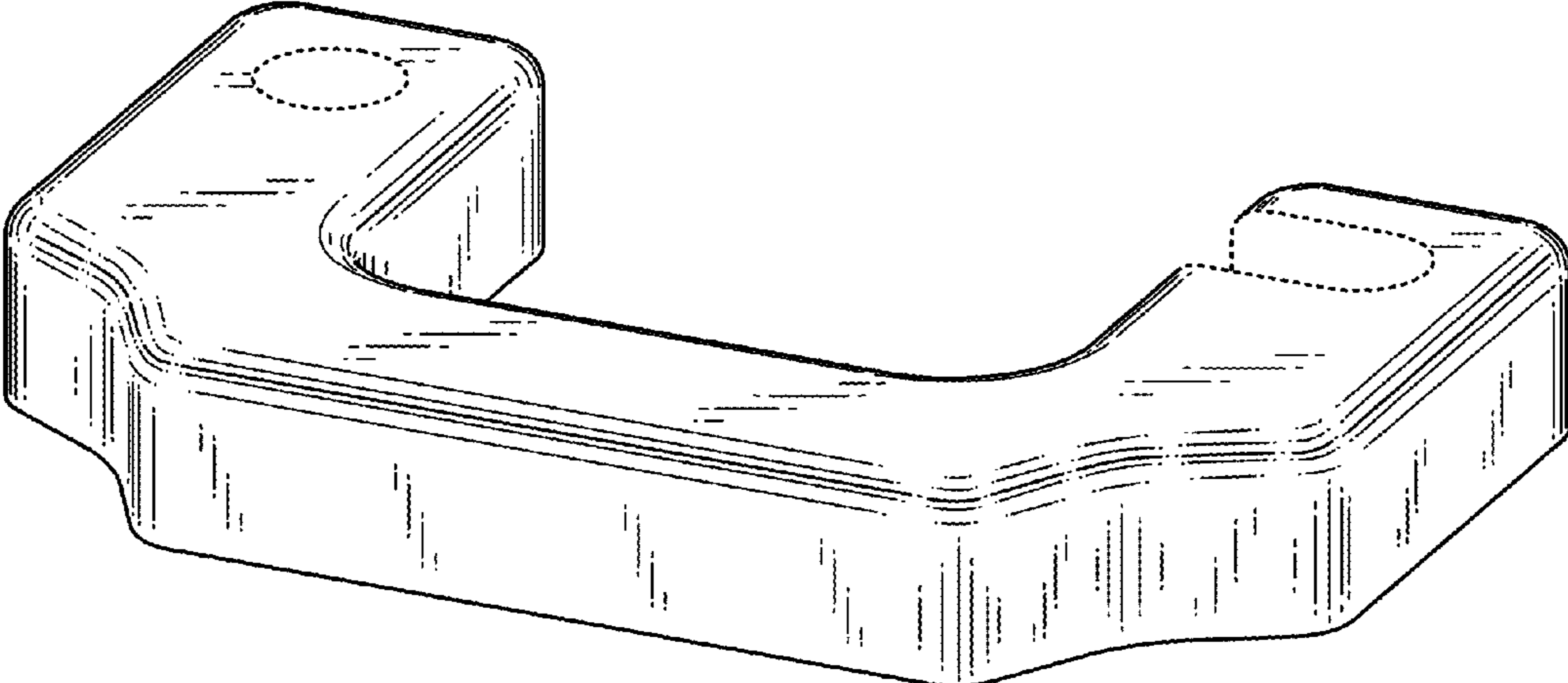


Fig. 1

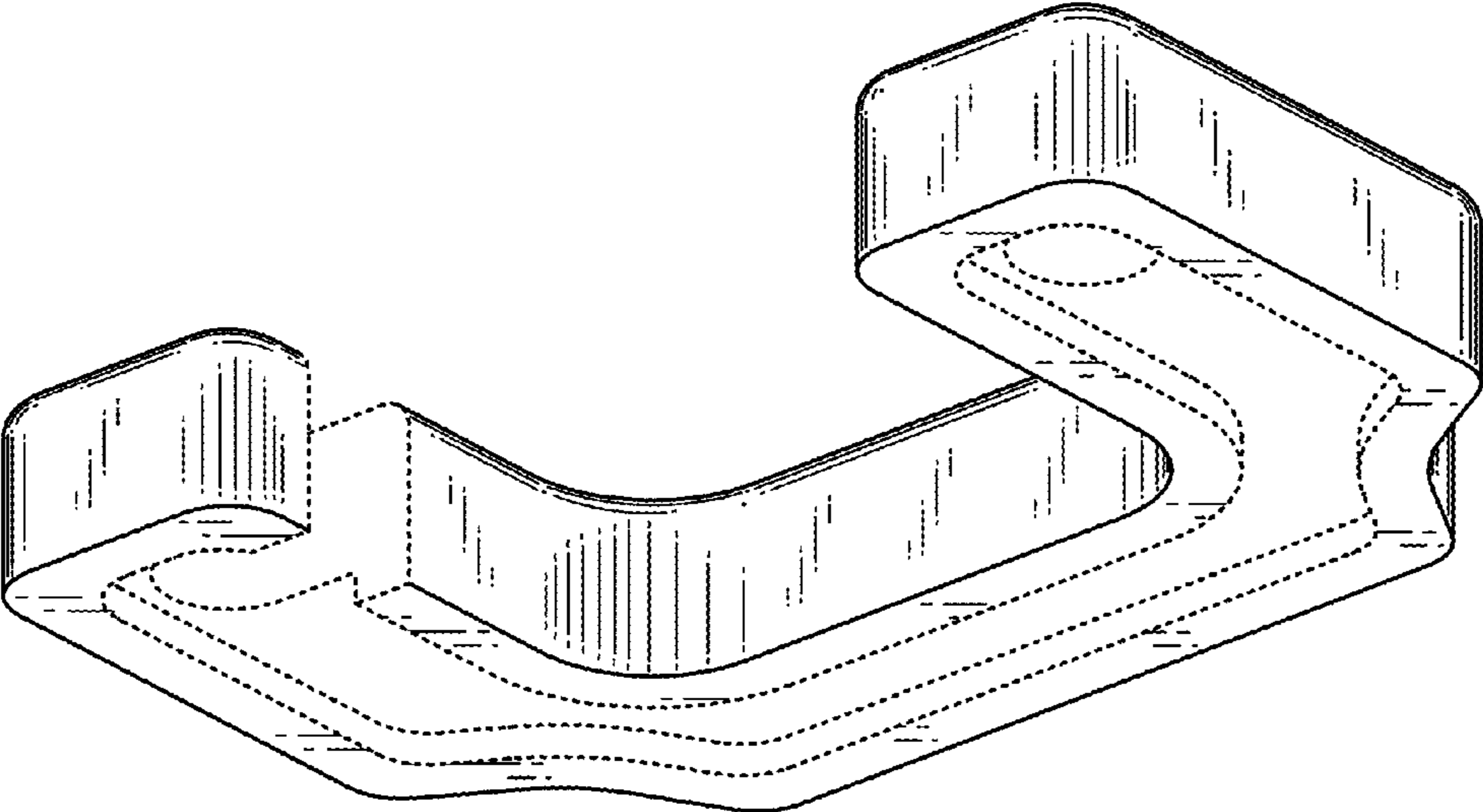
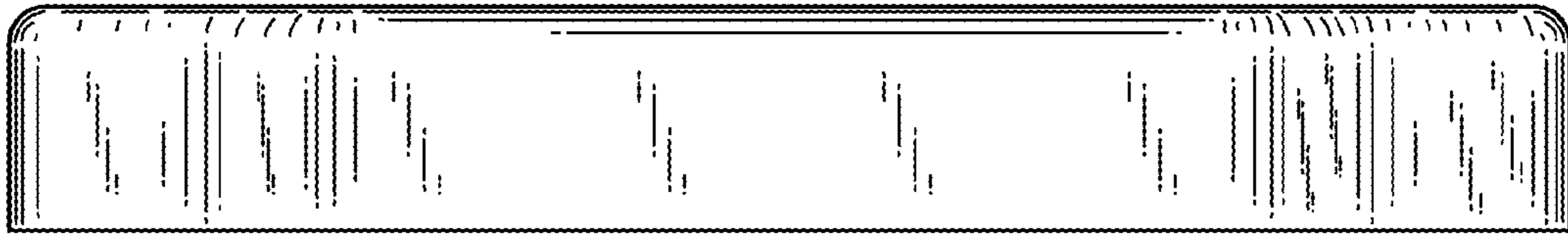


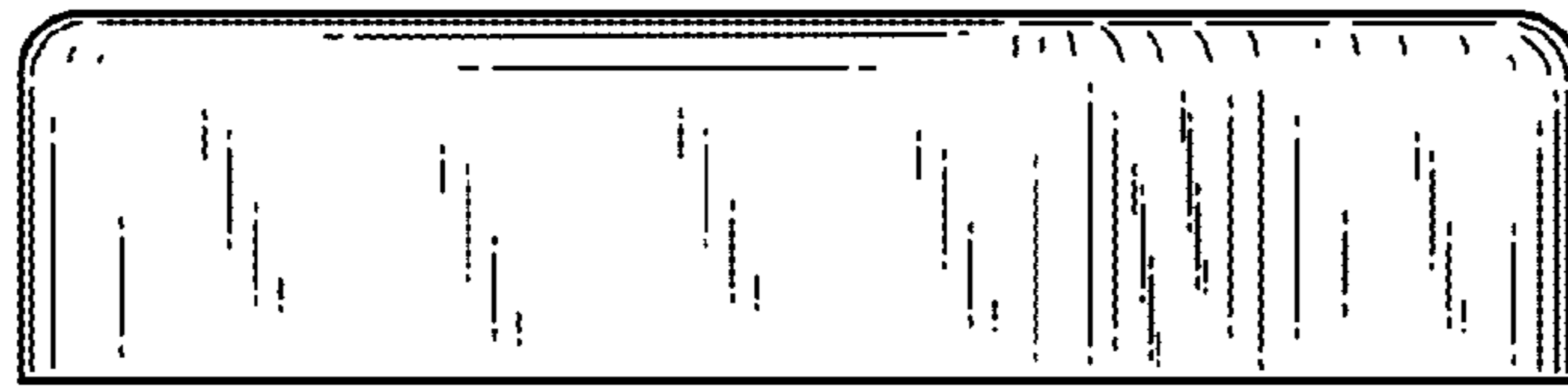
Fig. 2



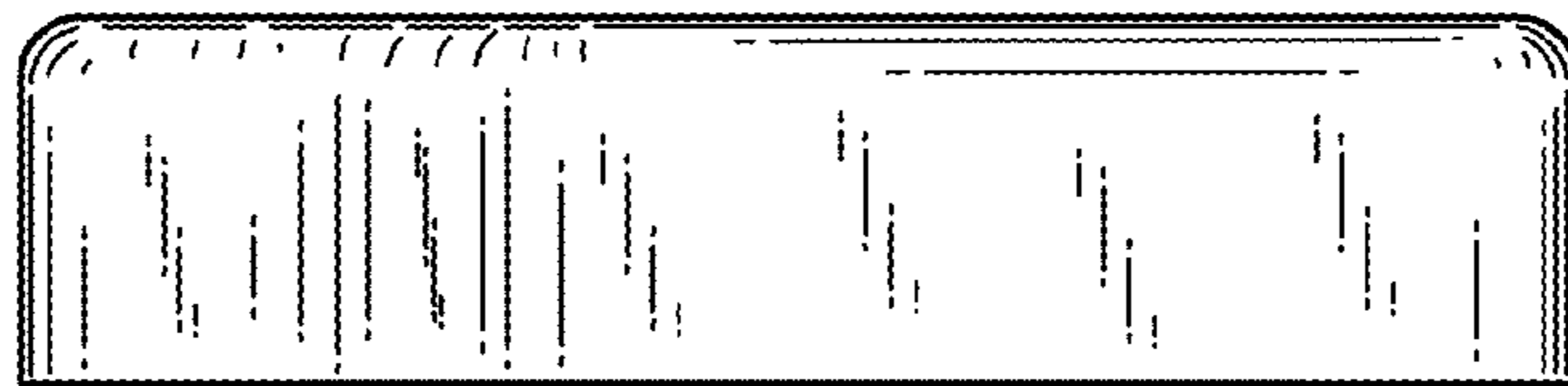
**Fig. 3**



**Fig. 4**



**Fig. 5**



**Fig. 6**