



US00D731366S

(12) **United States Design Patent**  
**Gingras et al.**

(10) **Patent No.:** **US D731,366 S**  
(45) **Date of Patent:** **\*\* Jun. 9, 2015**

(54) **WHEELCHAIR CROSS-BRACE ARM**

(75) Inventors: **David Gingras, L'Assomption (CA);**  
**Michael Archambault, St-Alexis (CA)**

(73) Assignee: **MOTION COMPOSITES INC.,**  
**Saint-Roch-de-l'Achigan (CA)**

(\*\*) Term: **14 Years**

(21) Appl. No.: **29/420,225**

(22) Filed: **May 7, 2012**

(51) **LOC (10) Cl.** ..... **12-12**

(52) **U.S. Cl.**  
USPC ..... **D12/133**

(58) **Field of Classification Search**  
USPC ..... D12/128-133; 280/62, 647-650, 29,  
280/200, 47.38, 250.1, 259, 642, 658,  
280/304.1; 128/99.1, 100.1, 102.1, 876,  
128/877

See application file for complete search history.

(56) **References Cited**

**U.S. PATENT DOCUMENTS**

D266,167	S	*	9/1982	Lindbrandt	.....	D15/5
5,503,773	A	*	4/1996	Pearce et al.	.....	264/328.1
D385,523	S	*	10/1997	Borla	.....	D12/194
6,312,000	B1	*	11/2001	Pauls et al.	.....	280/250.1
D491,494	S	*	6/2004	Lippert	.....	D12/128
D494,110	S	*	8/2004	Cheng	.....	D12/131

D506,419	S	*	6/2005	Coster	.....	D12/133
7,273,118	B2	*	9/2007	Huang	.....	180/65.1
D589,411	S	*	3/2009	Brown et al.	.....	D12/133
D602,405	S	*	10/2009	Skafdrup et al.	.....	D12/131
D613,655	S	*	4/2010	Burkhart et al.	.....	D12/194
D627,271	S	*	11/2010	Knopf	.....	D12/133
7,828,310	B2	*	11/2010	Vreeswijk et al.	.....	280/250.1
D654,408	S	*	2/2012	Spalding et al.	.....	D12/133
D666,543	S	*	9/2012	Lai	.....	D12/194
D682,748	S	*	5/2013	Horacek	.....	D12/133
2008/0087481	A1	*	4/2008	Grymko et al.	.....	180/68.5

\* cited by examiner

*Primary Examiner* — Ian Simmons

*Assistant Examiner* — Charles Hanson

(74) *Attorney, Agent, or Firm* — Norton Rose Fulbright  
Canada LLP

(57) **CLAIM**

The ornamental design for the wheelchair cross-brace arm, as shown and described.

**DESCRIPTION**

FIG. 1 is a perspective view of the wheelchair cross-brace arm;

FIG. 2 is a front view thereof;

FIG. 3 is a rear thereof;

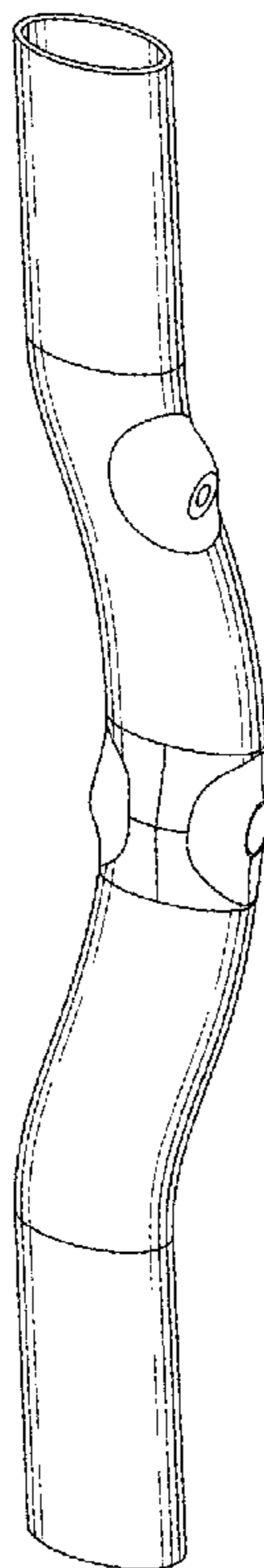
FIG. 4 is a right side view thereof;

FIG. 5 is a left side view thereof;

FIG. 6 is a top view thereof; and,

FIG. 7 is a bottom view thereof.

**1 Claim, 4 Drawing Sheets**



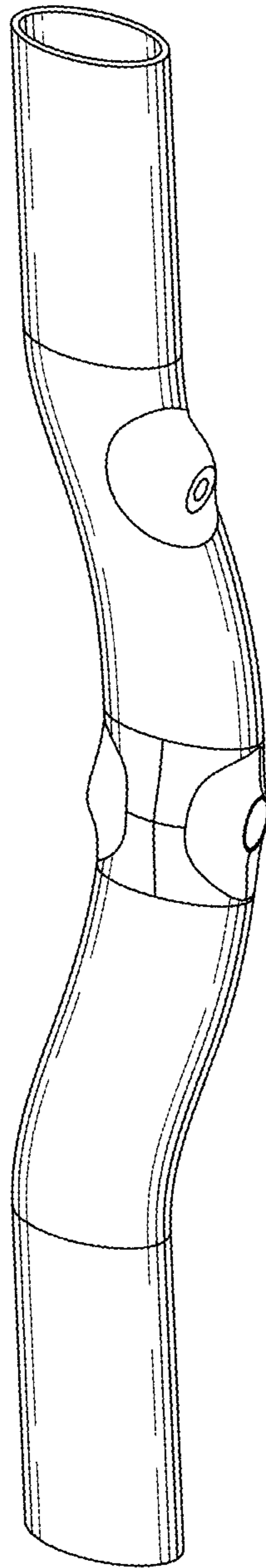


Fig-1

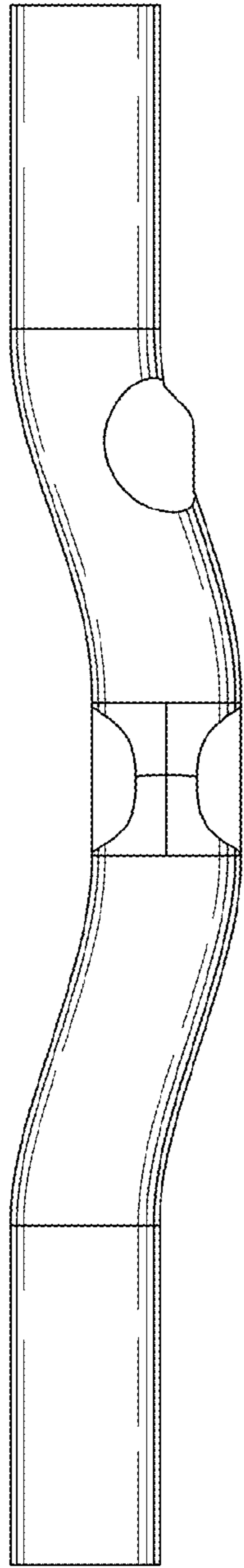


Fig-2

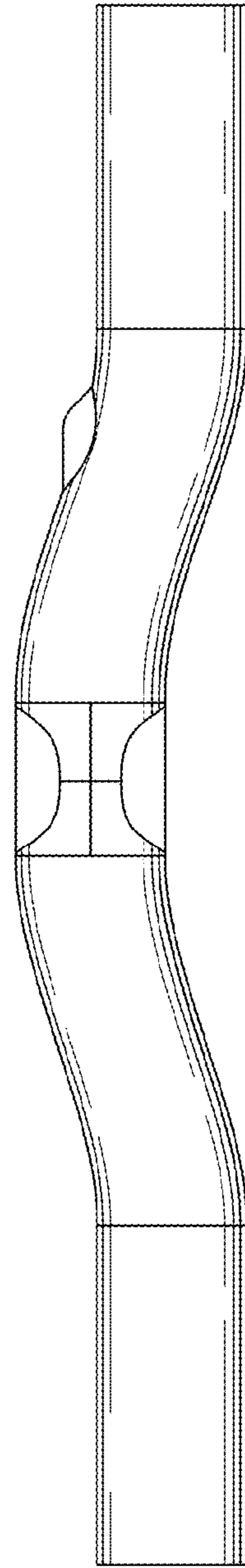


Fig-3

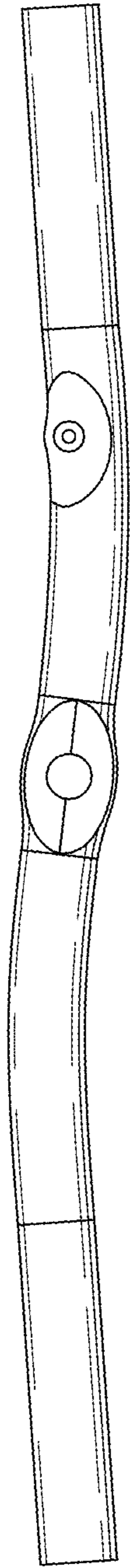


Fig-4

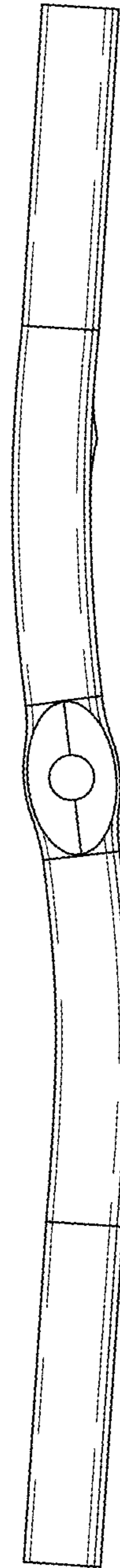


Fig-5

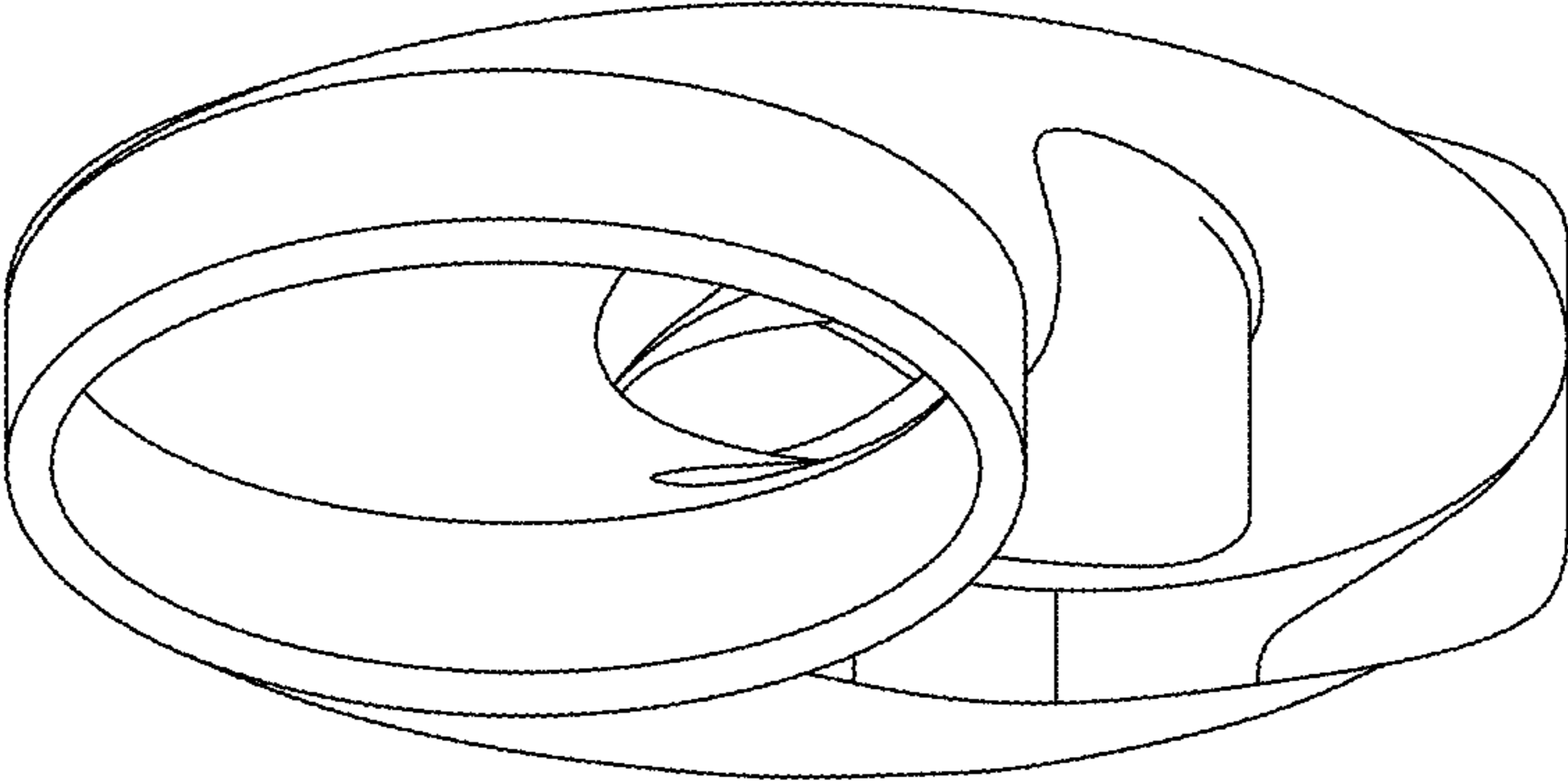


FIG-6

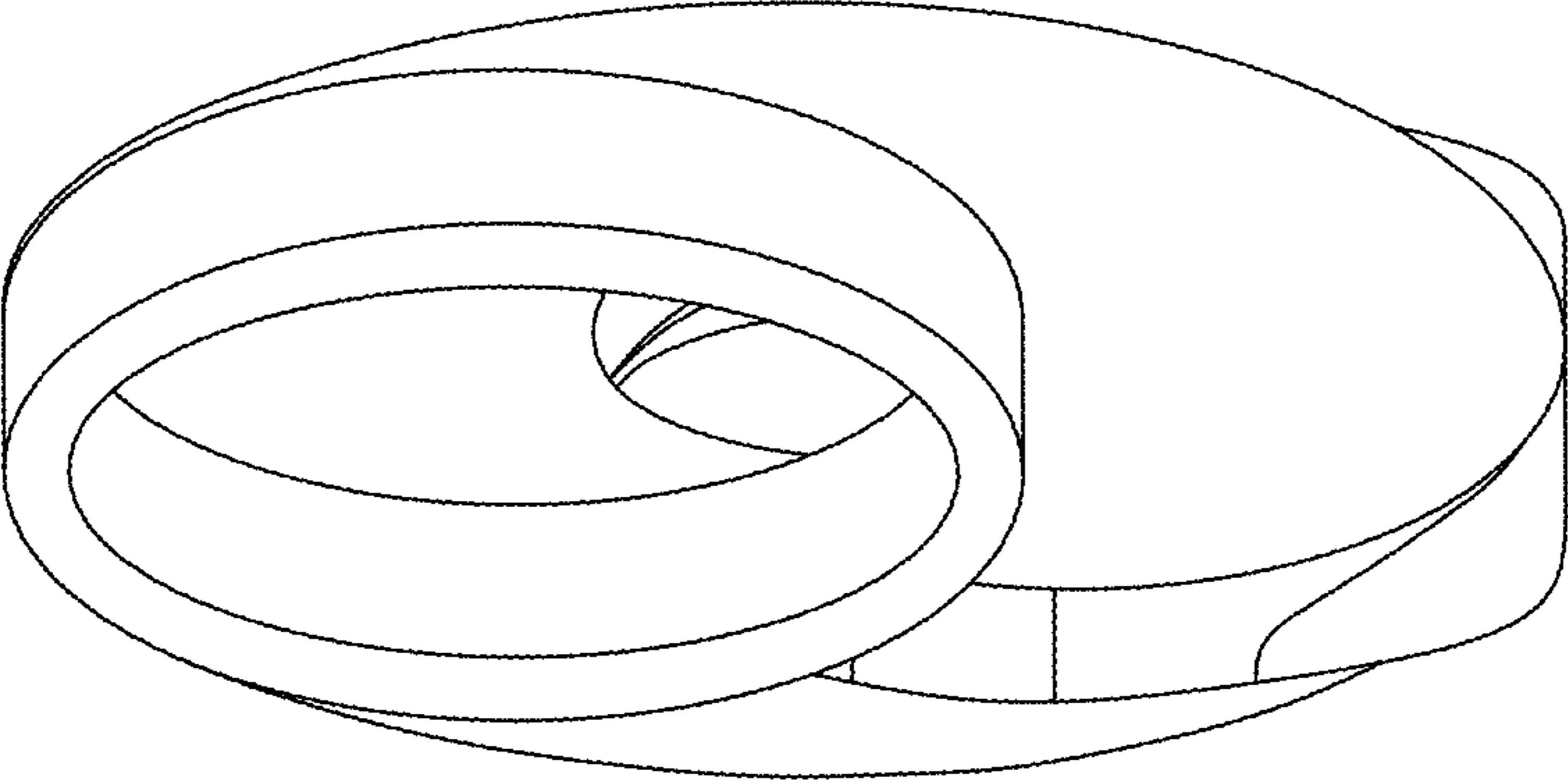


FIG-7