



US00D731364S

(12) **United States Design Patent**  
**Duncan et al.**

(10) **Patent No.:** **US D731,364 S**  
(45) **Date of Patent:** **\*\* \*Jun. 9, 2015**

- (54) **ELECTRIC SCOOTER**
- (71) Applicant: **Mahindra Tractor Assembly, Inc.**, Palo Alto, CA (US)
- (72) Inventors: **Terence Duncan**, Canton, MI (US);  
**Axel Vollmer**, Ann Arbor, MI (US);  
**Evan Carpenter-Crawford**, Farmington Hills, MI (US)
- (73) Assignee: **Mahindra Tractor Assembly, Inc.**, Palo Alto, CA (US)

D490,750 S *	6/2004	Hoshino	.....	D12/110
D491,492 S *	6/2004	Lu	.....	D12/110
D514,987 S *	2/2006	Hsiao	.....	D12/110
D537,756 S *	3/2007	Kitayama et al.	.....	D12/110
D596,992 S	7/2009	Yang		
D602,813 S *	10/2009	Chao et al.	.....	D12/110
D610,490 S *	2/2010	Wong	.....	D12/110
D622,637 S	8/2010	Schneider		
D629,721 S *	12/2010	Takeo et al.	.....	D12/110
D644,961 S *	9/2011	Watanabe et al.	.....	D12/110
D647,006 S *	10/2011	Hung	.....	D12/110
D654,402 S *	2/2012	Lambri et al.	.....	D12/110
D657,722 S *	4/2012	Lambri et al.	.....	D12/110

(Continued)

(\*) Notice: This patent is subject to a terminal disclaimer.

*Primary Examiner* — Robert M Spear

*Assistant Examiner* — Ryan Harvey

(\*\*) Term: **14 Years**

(74) *Attorney, Agent, or Firm* — Price Heneveld LLP

(21) Appl. No.: **29/467,386**

(57) **CLAIM**

We claim the ornamental design for an electric scooter, as shown and described.

(22) Filed: **Sep. 18, 2013**

**DESCRIPTION**

(51) **LOC (10) Cl.** ..... **12-11**

(52) **U.S. Cl.**  
USPC ..... **D12/110**

(58) **Field of Classification Search**  
USPC ..... D12/110, 114; 180/219, 220, 225, 229;  
296/37.12, 78.1  
CPC ..... B62K 2202/00; B62K 11/10; B62K  
2204/00; F02B 61/02; B62M 7/12  
See application file for complete search history.

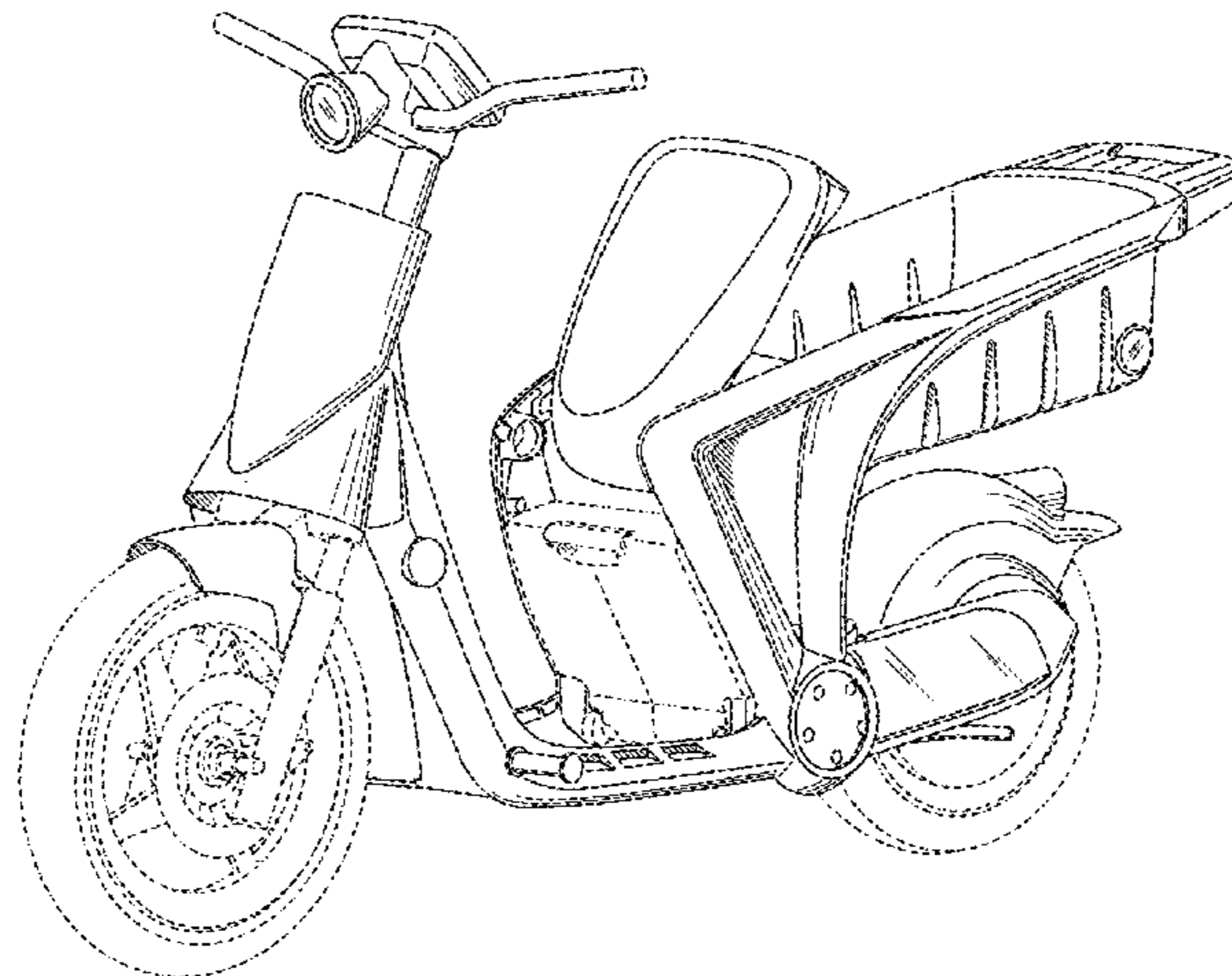
FIG. 1 is a front perspective view of the electric scooter showing the design.  
 FIG. 2 is a rear perspective view of the electric scooter showing the design.  
 FIG. 3 is a front elevational view of the electric scooter showing the design.  
 FIG. 4 is a rear elevational view of the electric scooter showing the design.  
 FIG. 5 is a left side elevational view of the electric scooter showing the design.  
 FIG. 6 is a right side elevational view of the electric scooter showing the design.  
 FIG. 7 is a top plan view of the electric scooter showing the design; and,  
 FIG. 8 is a bottom plan view of the electric scooter showing the design.  
 Portions of the electric scooter shown in broken lines form no part of the claimed design.

(56) **References Cited**

U.S. PATENT DOCUMENTS

D270,436 S *	9/1983	Gaddi	.....	D12/110
D273,853 S *	5/1984	Kawashima et al.	.....	D12/110
D274,231 S *	6/1984	Kawashima et al.	.....	D12/110
D287,833 S *	1/1987	Moselli	.....	D12/110
D289,988 S *	5/1987	Ito	.....	D12/110
D290,824 S *	7/1987	Miura et al.	.....	D12/110
D331,553 S *	12/1992	Agnolucci	.....	D12/110
5,613,569 A	3/1997	Sugioka et al.		
6,324,464 B1	11/2001	Lee et al.		

**1 Claim, 5 Drawing Sheets**



(56)

**References Cited**

U.S. PATENT DOCUMENTS

D670,205 S \* 11/2012 Takakuwa et al. .... D12/110  
D673,882 S \* 1/2013 Tartarini ..... D12/110  
D678,128 S \* 3/2013 Lambri et al. .... D12/110  
D679,223 S 4/2013 Loasby et al.

D680,911 S \* 4/2013 Wu et al. .... D12/110  
D687,741 S 8/2013 Zhang  
8,505,668 B2 8/2013 Iwakami et al.  
D690,235 S \* 9/2013 Wu et al. .... D12/110  
2012/0193155 A1 8/2012 Hasegawa et al.  
2013/0161108 A1 6/2013 Watanabe et al.

\* cited by examiner

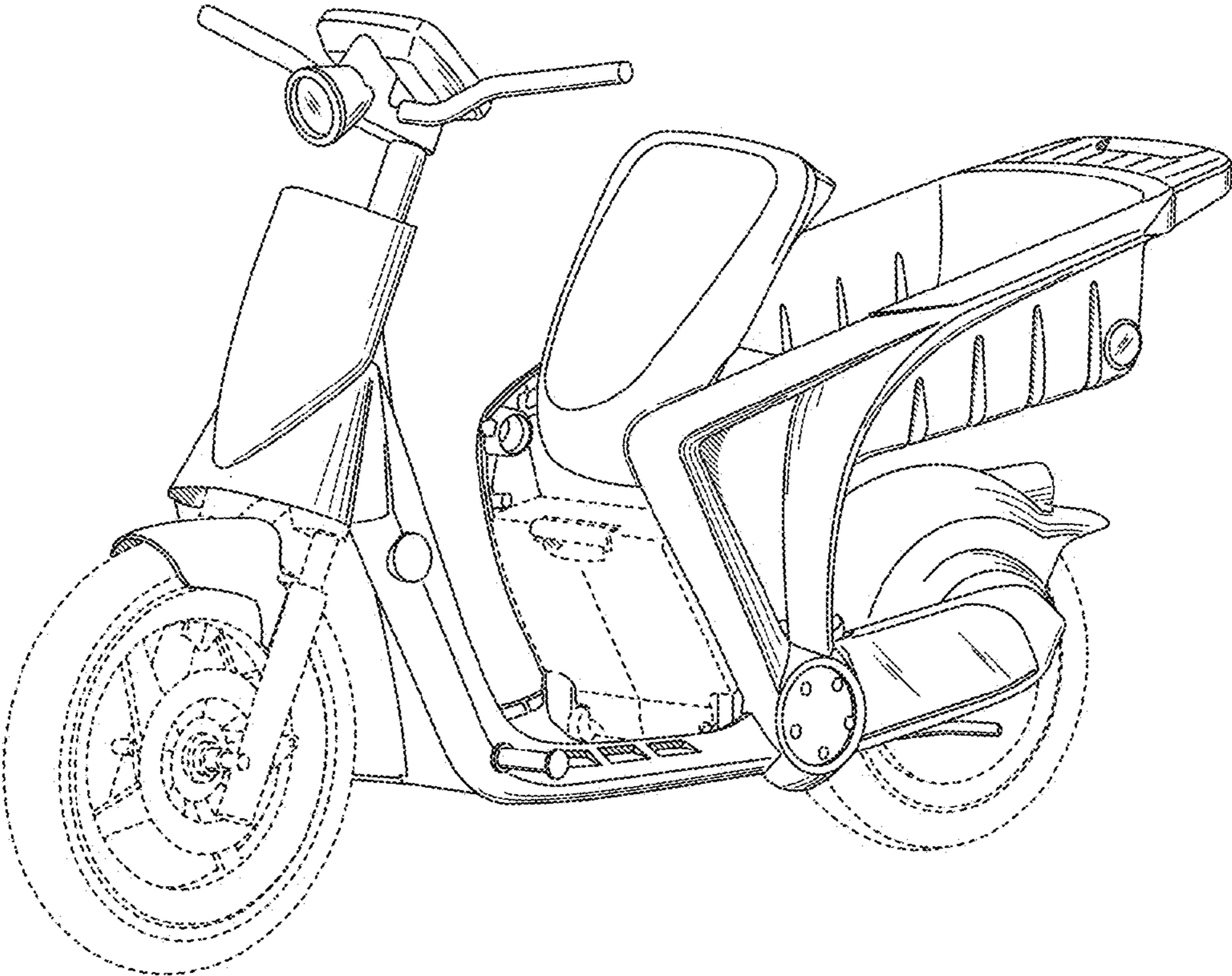


FIG. 1

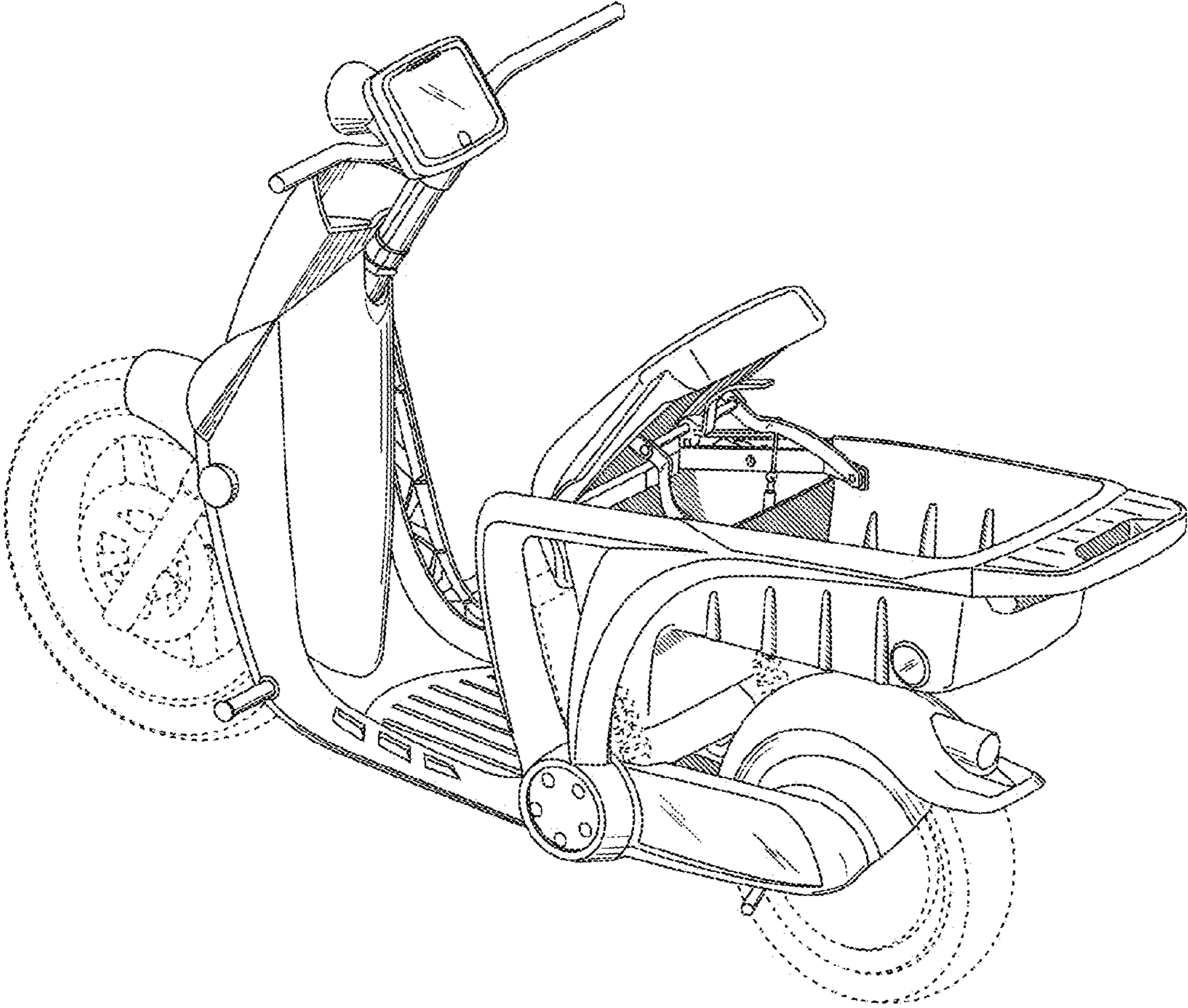


FIG. 2

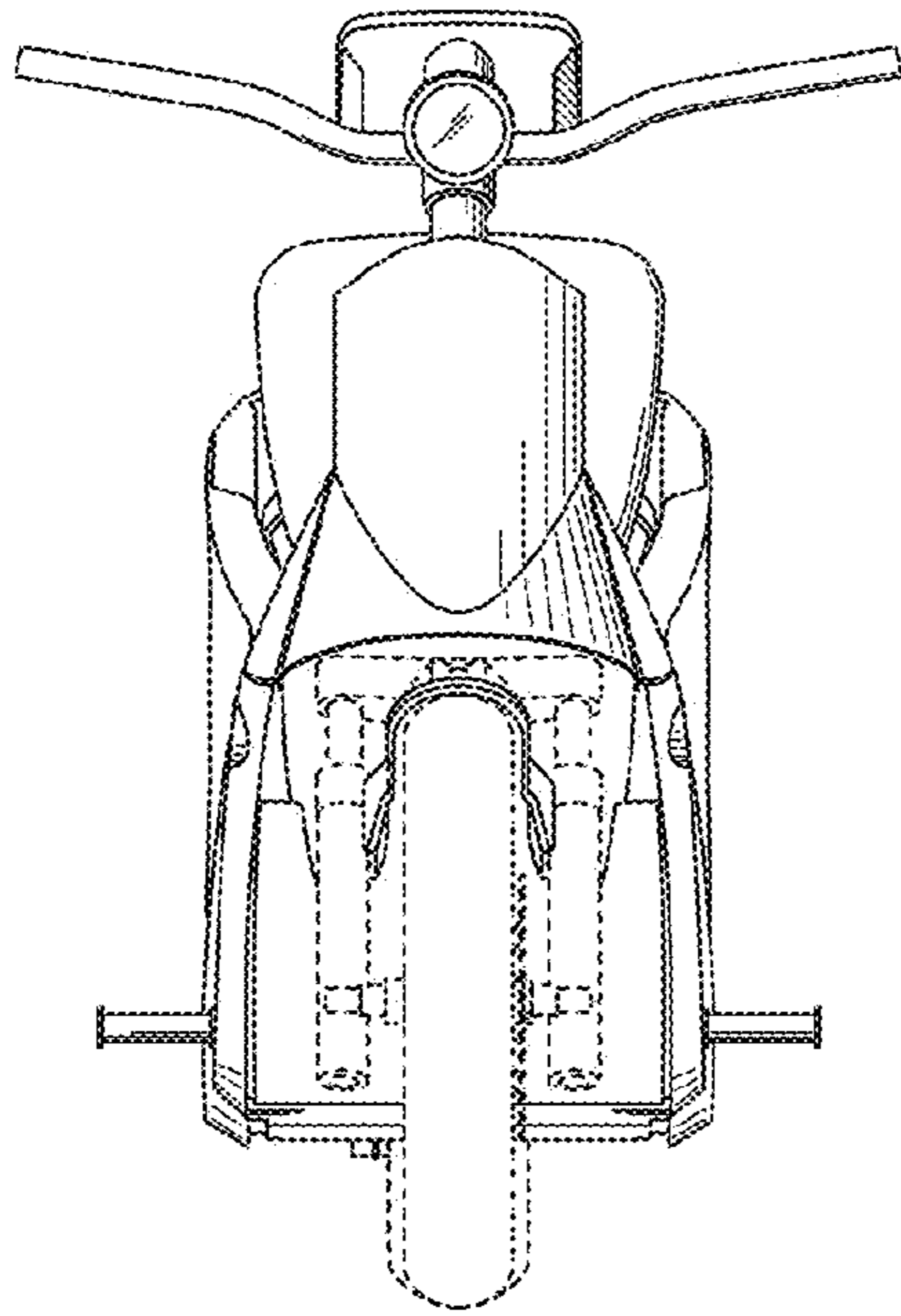


FIG. 3

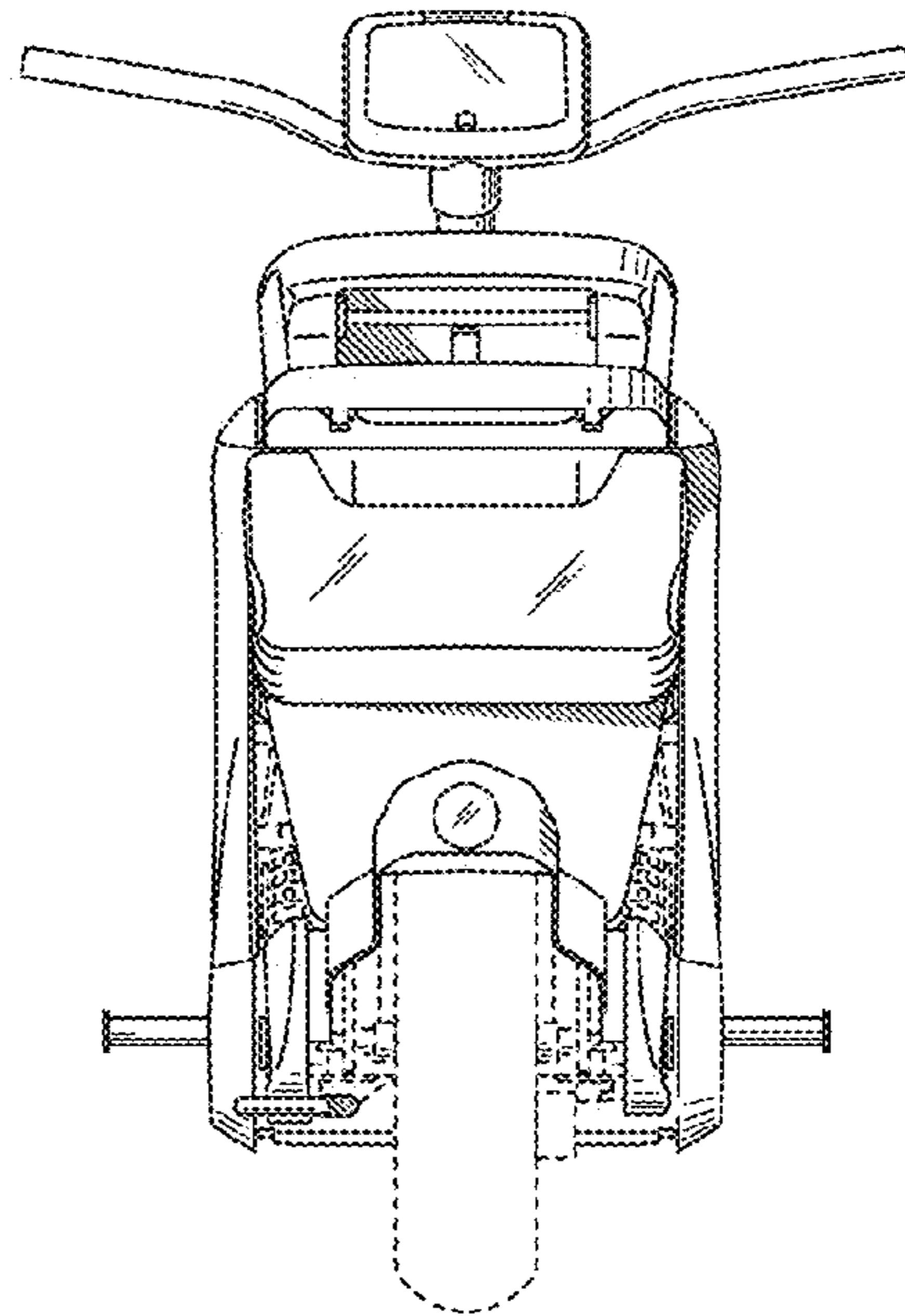


FIG. 4

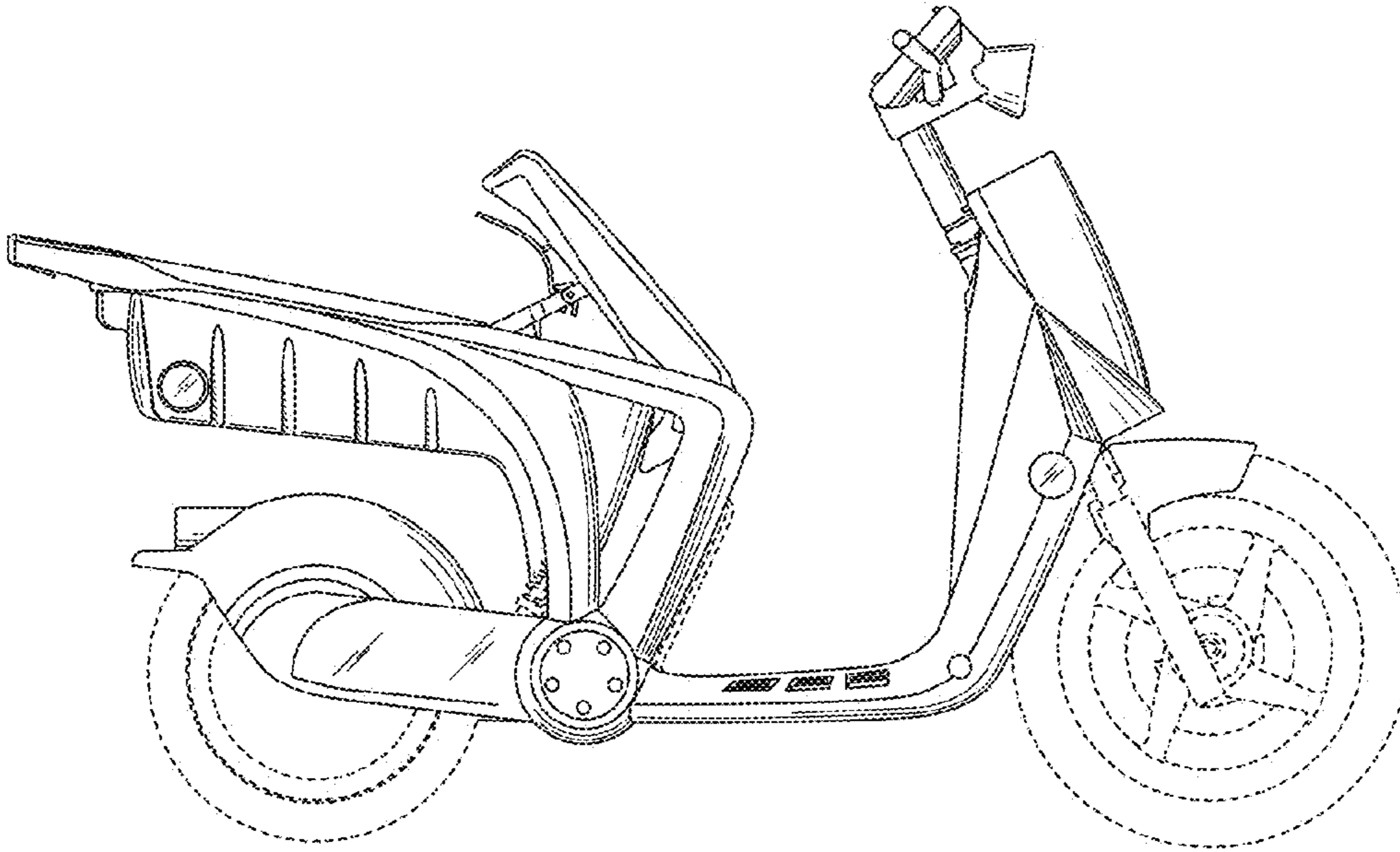


FIG. 5

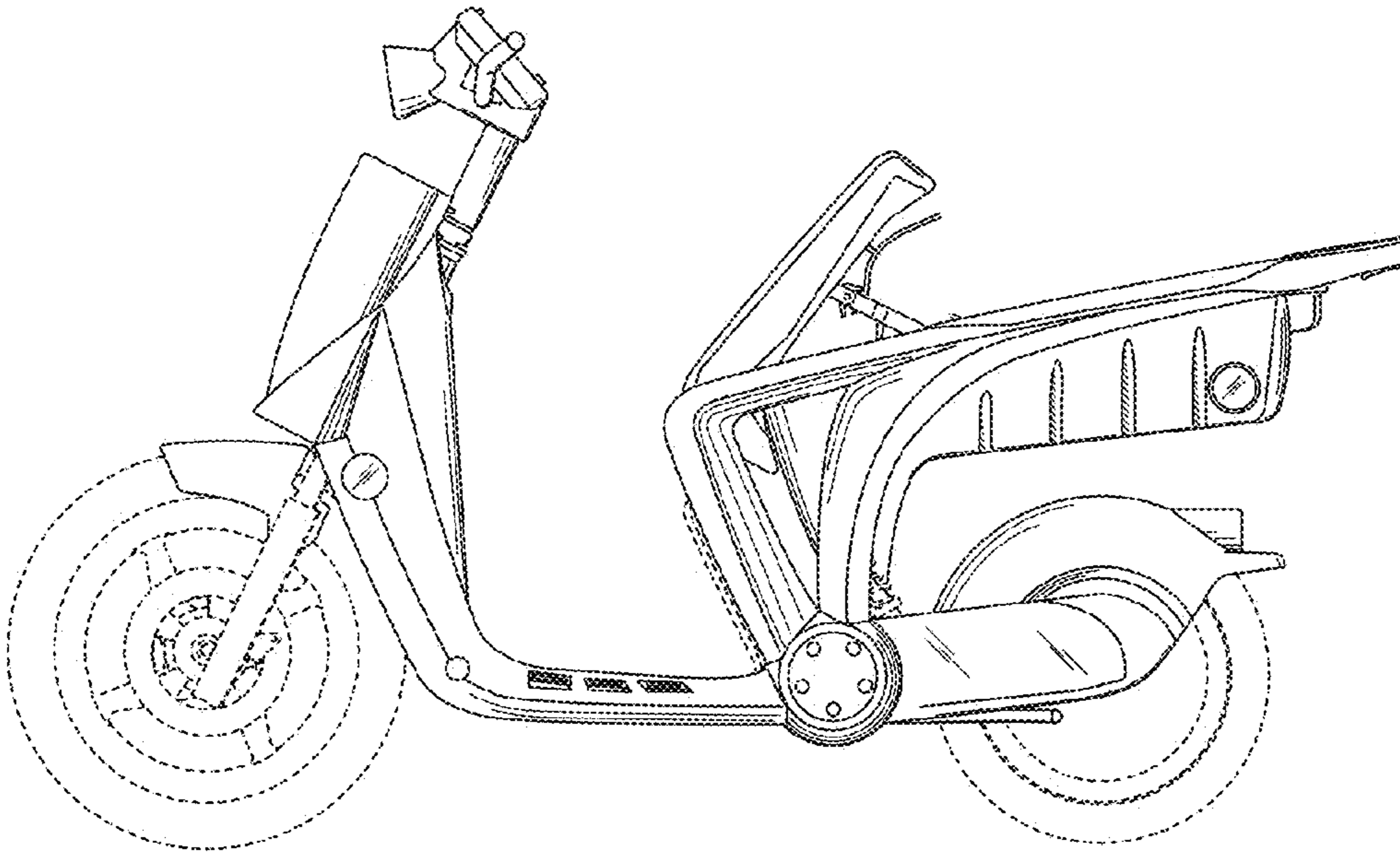


FIG. 6

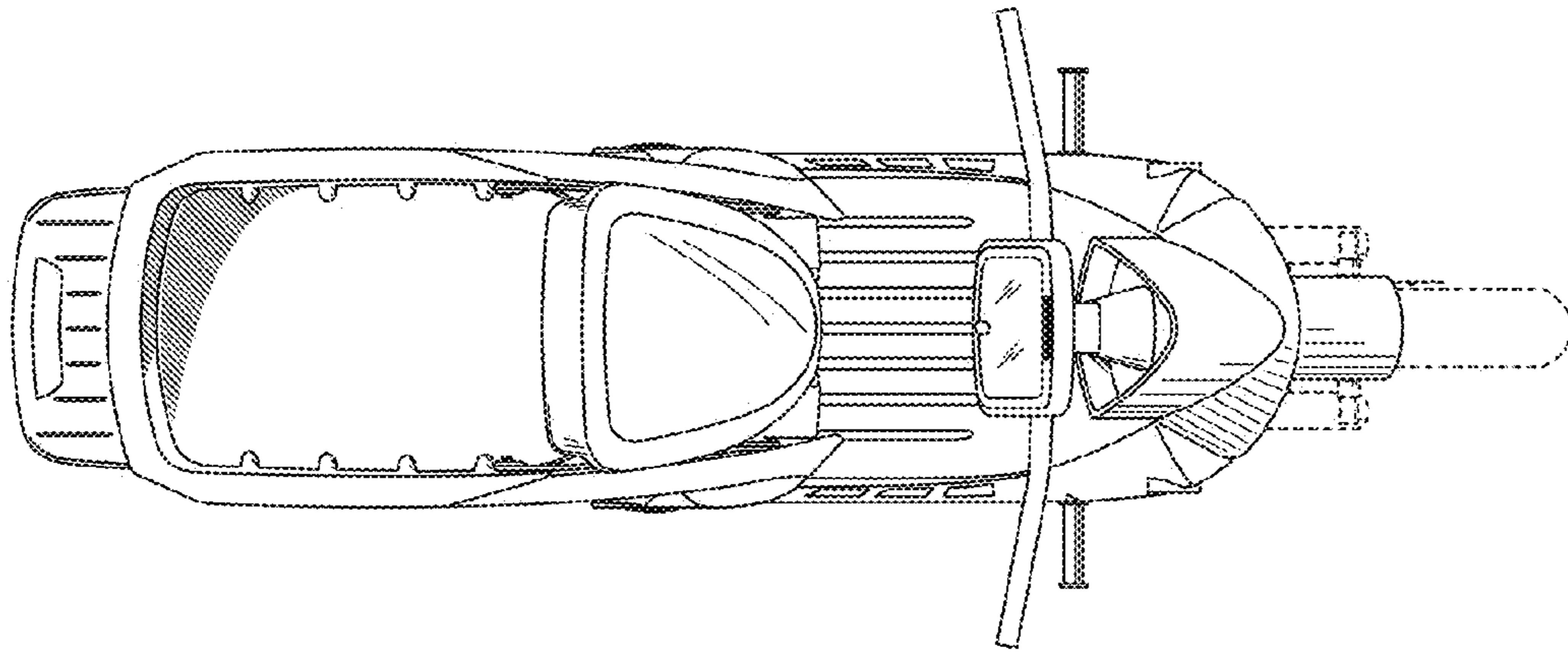


FIG. 7

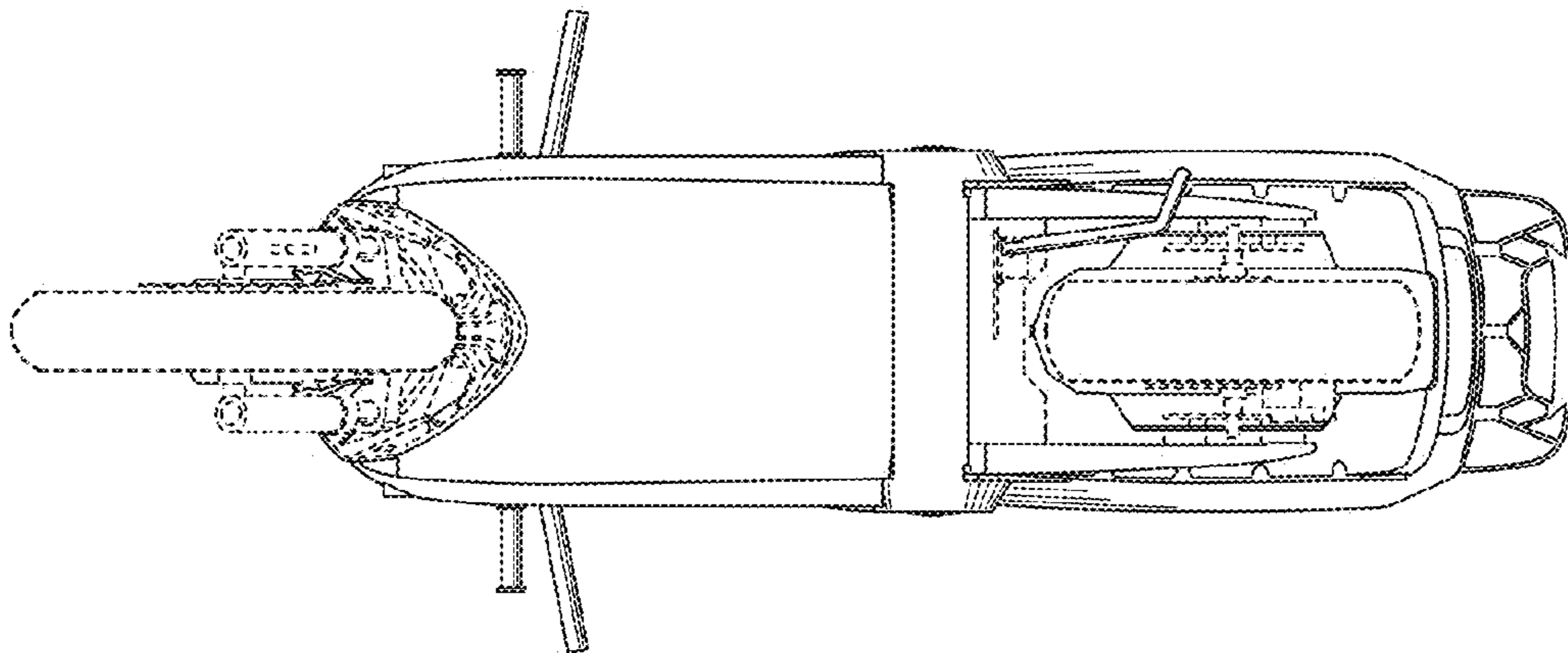


FIG. 8