



US00D731363S

(12) **United States Design Patent**
Duncan et al.

(10) **Patent No.:** **US D731,363 S**
(45) **Date of Patent:** **** *Jun. 9, 2015**

- (54) **ELECTRIC SCOOTER**
- (71) Applicant: **Mahindra Tractor Assembly, Inc.**, Palo Alto, CA (US)
- (72) Inventors: **Terence Duncan**, Canton, MI (US);
Axel Vollmer, Ann Arbor, MI (US);
Evan Carpenter-Crawford, Farmington Hills, MI (US)
- (73) Assignee: **MAHINDRA TRACTOR ASSEMBLY, INC.**, Palo Alto, CA (US)
- (*) Notice: This patent is subject to a terminal disclaimer.
- (**) Term: **14 Years**
- (21) Appl. No.: **29/467,382**
- (22) Filed: **Sep. 18, 2013**
- (51) **LOC (10) Cl.** **12-11**
- (52) **U.S. Cl.**
USPC **D12/110**
- (58) **Field of Classification Search**
USPC D12/110, 114; 180/219, 220, 225, 229;
296/37.12, 78.1
See application file for complete search history.

- D537,756 S * 3/2007 Kitayama et al. D12/110
- D596,992 S * 7/2009 Yang
- D602,813 S * 10/2009 Chao et al. D12/110
- D610,490 S * 2/2010 Wong D12/110
- D622,637 S * 8/2010 Schneider
- D629,721 S * 12/2010 Takeno et al. D12/110
- D644,961 S * 9/2011 Watanabe et al. D12/110
- D647,006 S * 10/2011 Hung D12/110
- D654,402 S * 2/2012 Lambri et al. D12/110
- D657,722 S * 4/2012 Lambri et al. D12/110
- D670,205 S * 11/2012 Takakuwa et al. D12/110
- D673,882 S * 1/2013 Tartarini D12/110
- D678,128 S * 3/2013 Lambri et al. D12/110

(Continued)

Primary Examiner — Robert M Spear
Assistant Examiner — Ryan Harvey
(74) *Attorney, Agent, or Firm* — Price Heneveld LLP

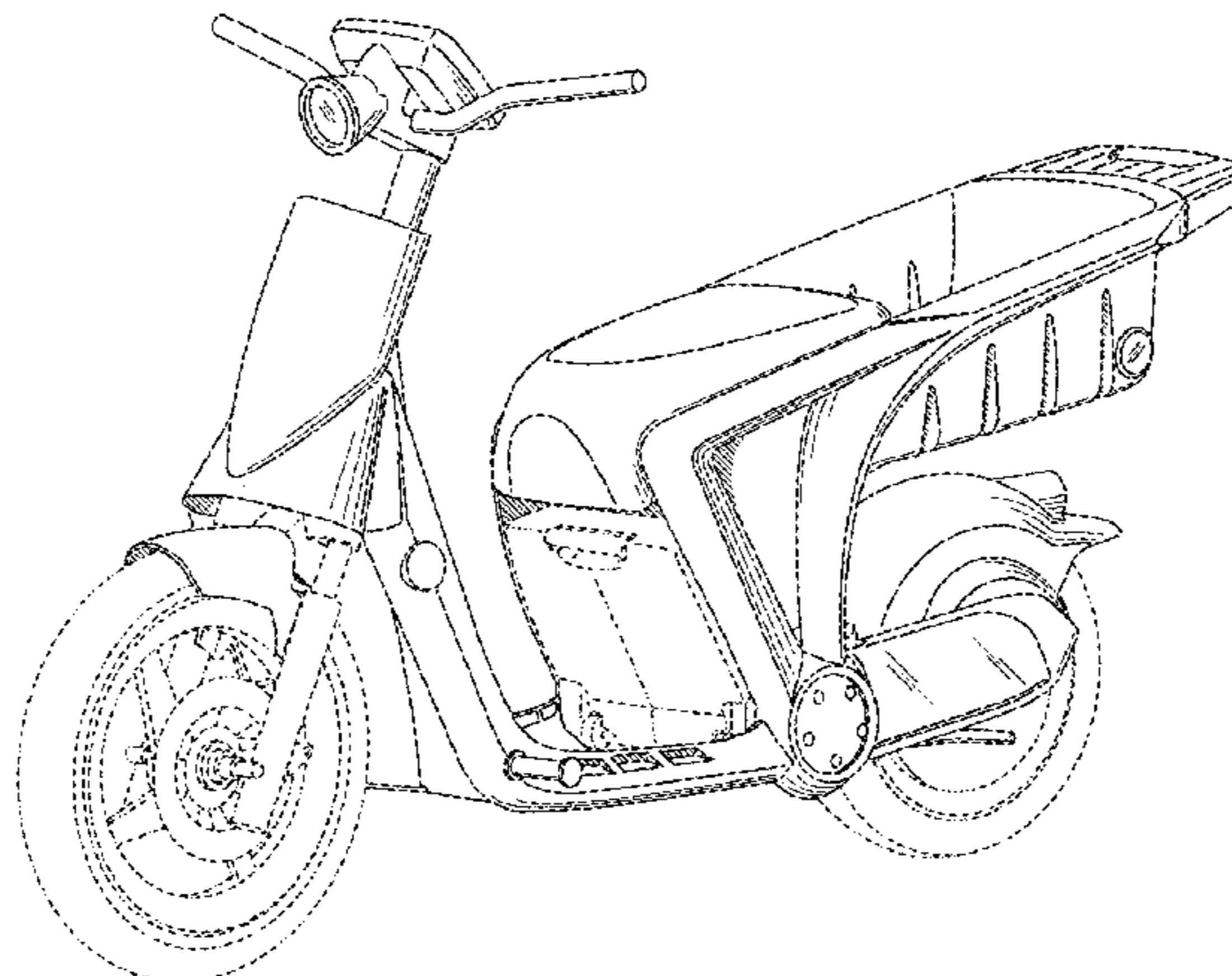
(57) **CLAIM**
We claim the ornamental design for an electric scooter, as shown and described.

DESCRIPTION

FIG. 1 is a front perspective view of the electric scooter showing the design.
FIG. 2 is a rear perspective view of the electric scooter showing the design.
FIG. 3 is a front elevational view of the electric scooter showing the design.
FIG. 4 is a rear elevational view of the electric scooter showing the design.
FIG. 5 is a left side elevational view of the electric scooter showing the design.
FIG. 6 is a right side elevational view of the electric scooter showing the design.
FIG. 7 is a top plan view of the electric scooter showing the design; and,
FIG. 8 is a bottom plan view of the electric scooter showing the design.
Portions of the electric scooter shown in broken lines form no part of the claimed design.

1 Claim, 5 Drawing Sheets

- (56) **References Cited**
U.S. PATENT DOCUMENTS
- D270,436 S * 9/1983 Gaddi D12/110
- D273,853 S * 5/1984 Kawashima et al. D12/110
- D274,231 S * 6/1984 Kawashima et al. D12/110
- D287,833 S * 1/1987 Moselli D12/110
- D289,988 S * 5/1987 Ito D12/110
- D290,824 S * 7/1987 Miura et al. D12/110
- D331,553 S * 12/1992 Agnolucci D12/110
- 5,613,569 A 3/1997 Sugioka et al.
- 6,324,464 B1 11/2001 Lee et al.
- D490,750 S * 6/2004 Hoshino D12/110
- D491,492 S * 6/2004 Lu D12/110
- D514,987 S * 2/2006 Hsiao D12/110



US D731,363 S

Page 2

(56)

References Cited

U.S. PATENT DOCUMENTS

D679,223 S 4/2013 Loasby et al.
D680,911 S * 4/2013 Wu et al. D12/110
D687,741 S 8/2013 Zhang

8,505,668 B2 8/2013 Iwakami et al.
D690,235 S * 9/2013 Wu et al. D12/110
2012/0193155 A1 8/2012 Hasegawa et al.
2013/0161108 A1 6/2013 Watanabe et al.

* cited by examiner

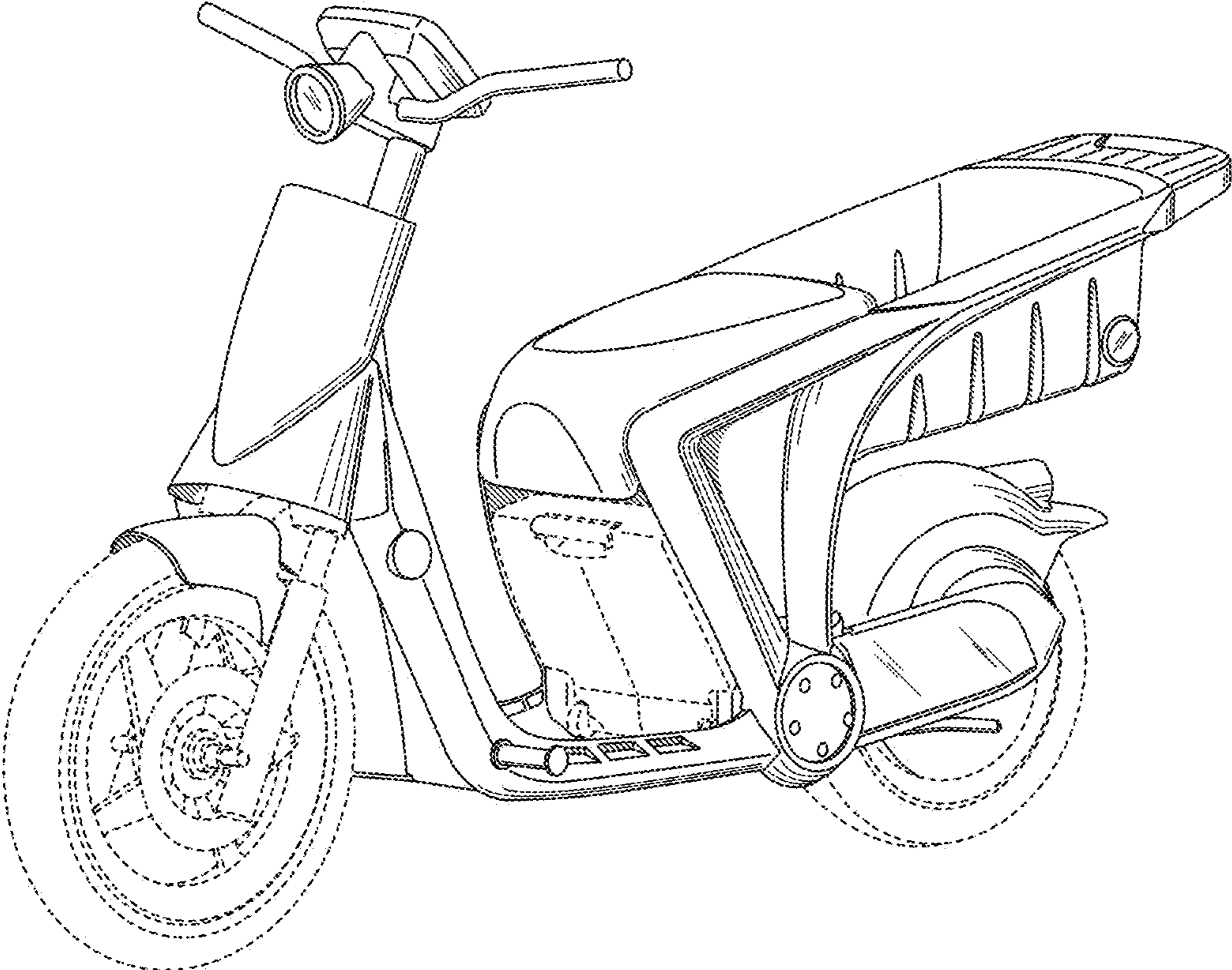


FIG. 1

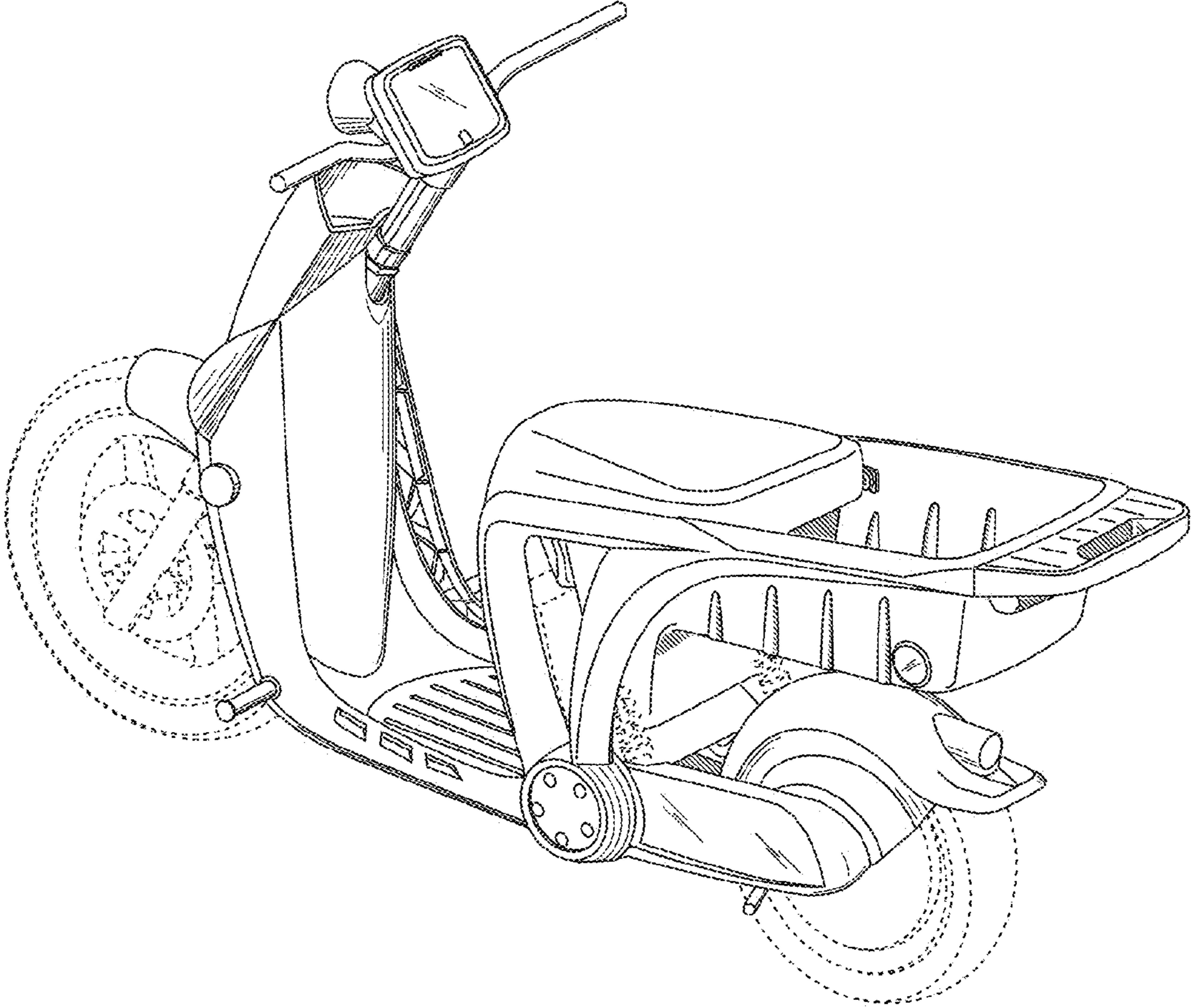


FIG. 2

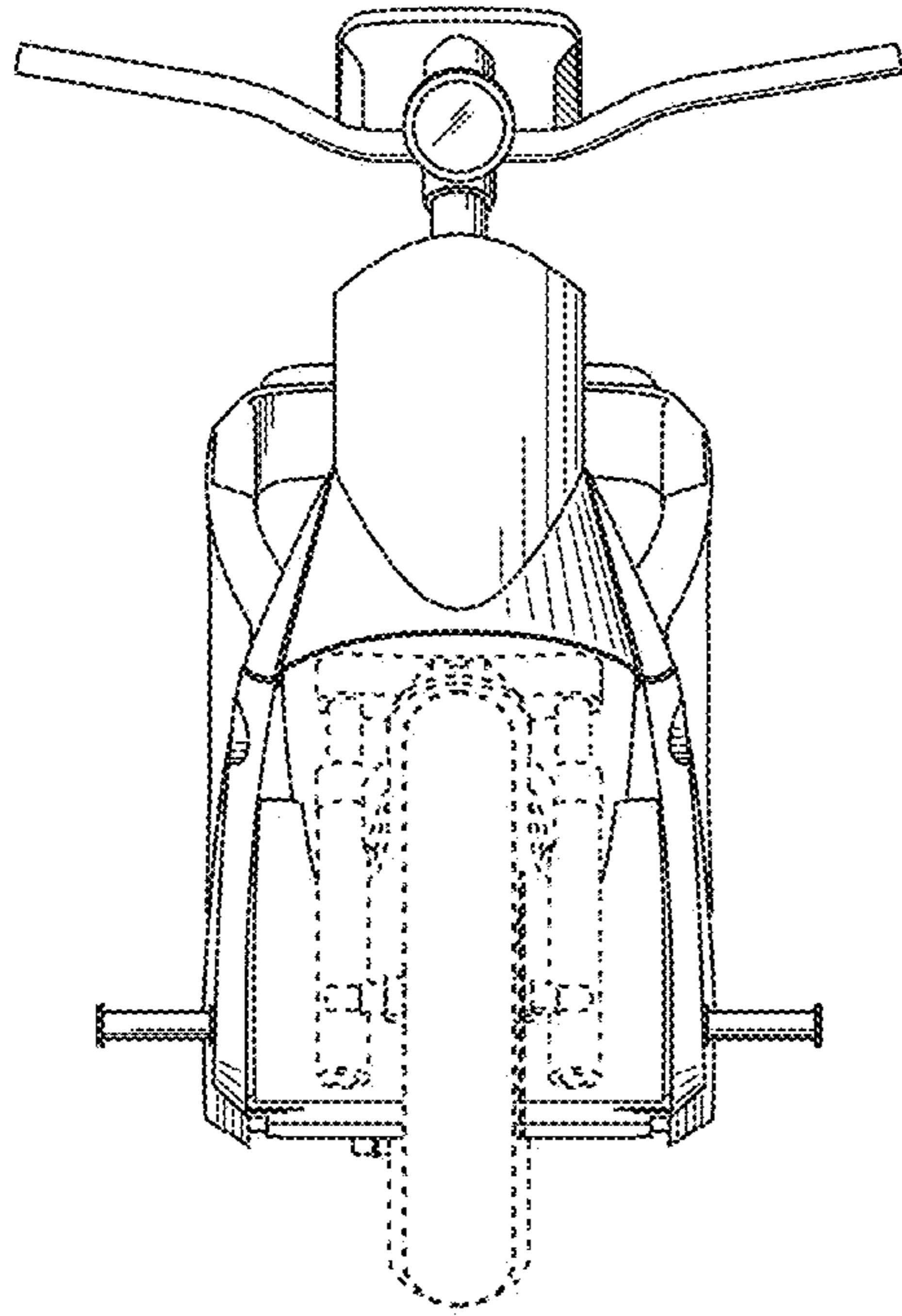


FIG. 3

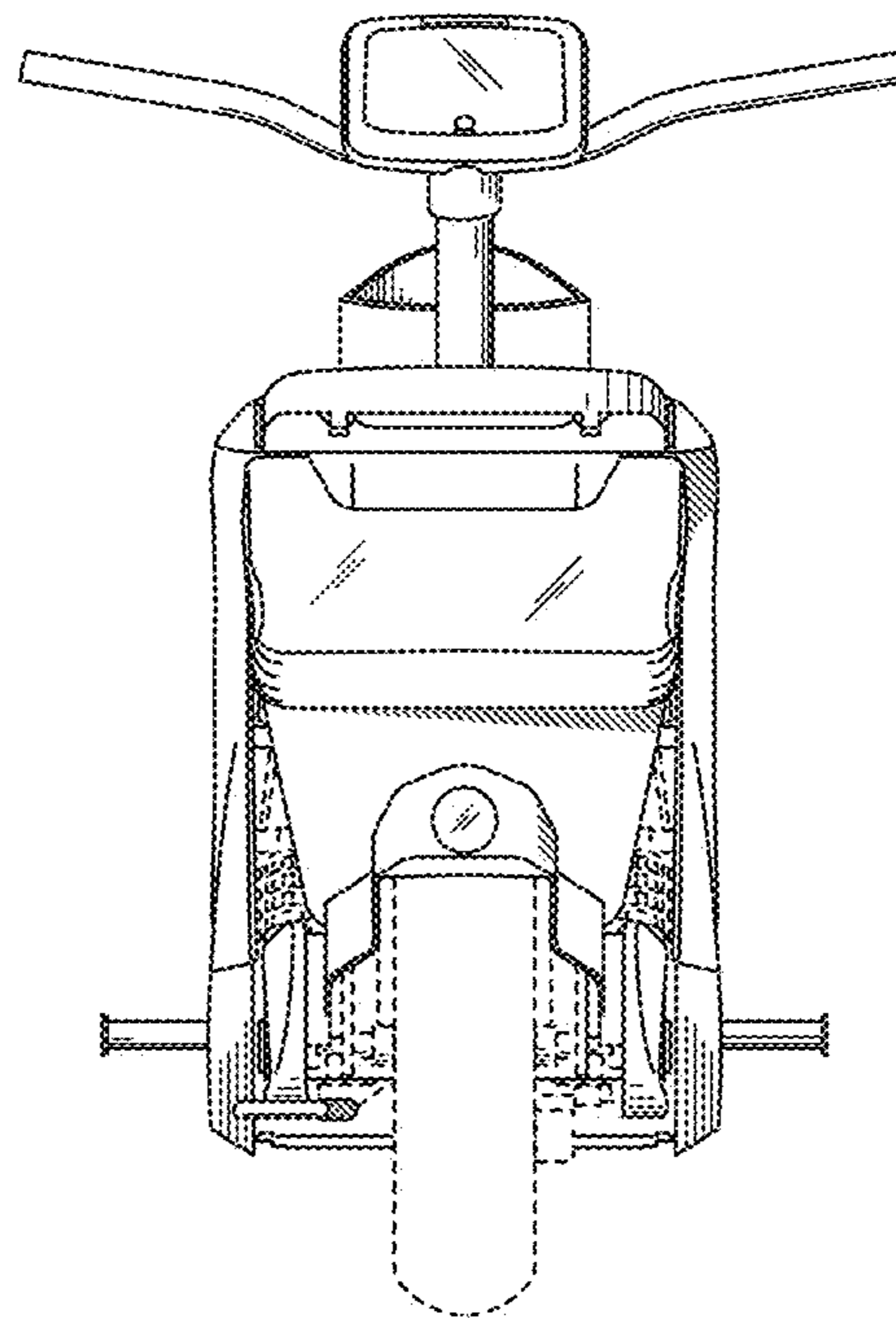


FIG. 4

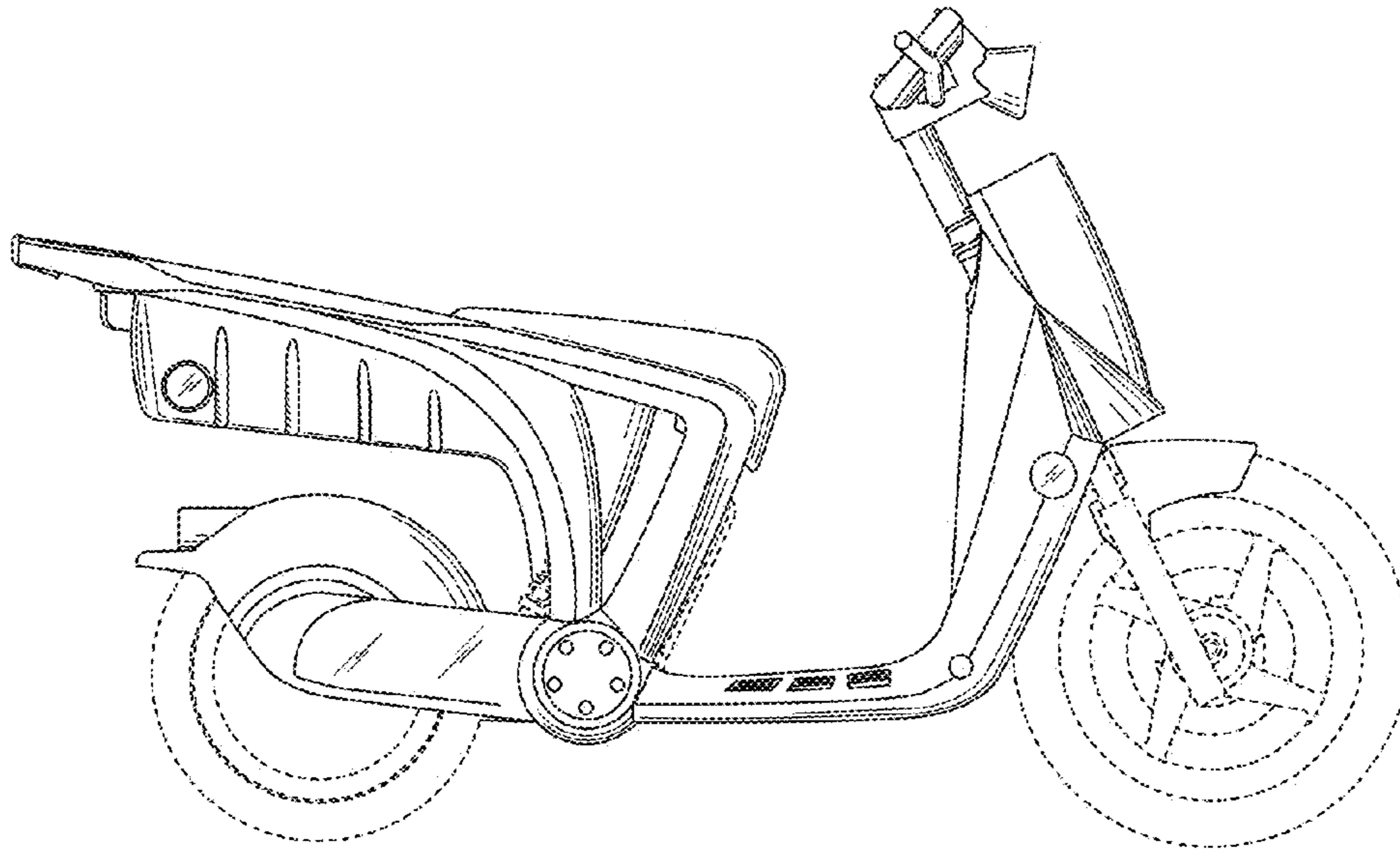


FIG. 5

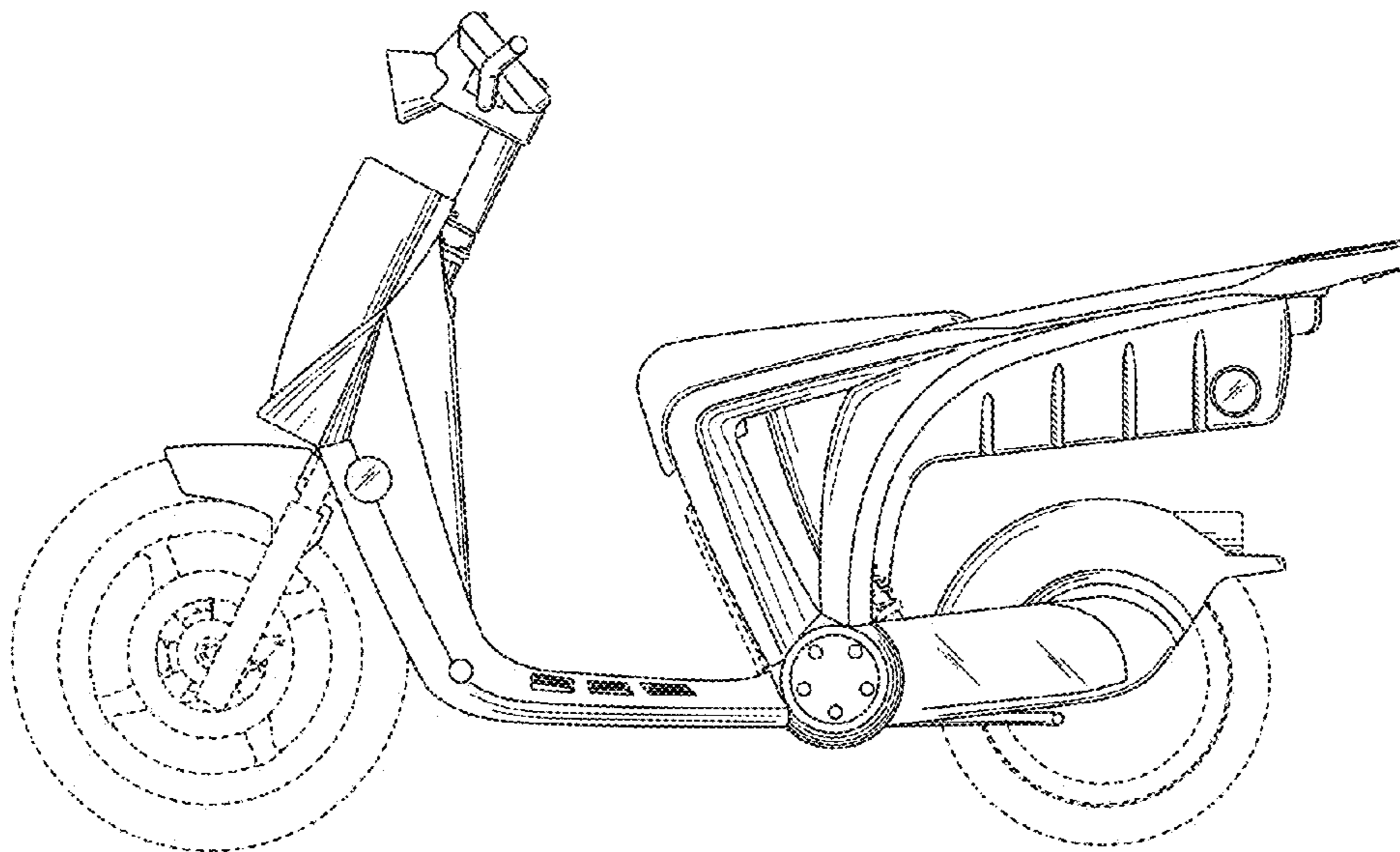


FIG. 6

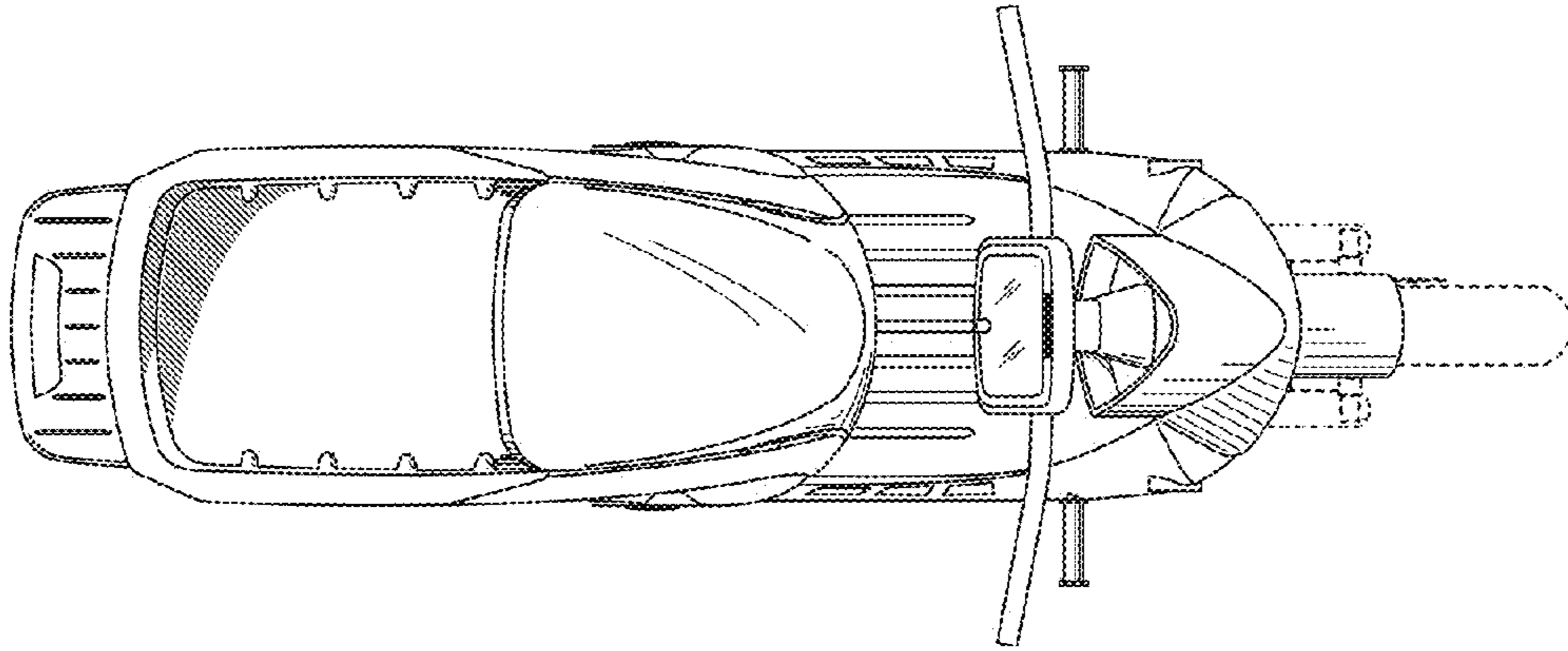


FIG. 7

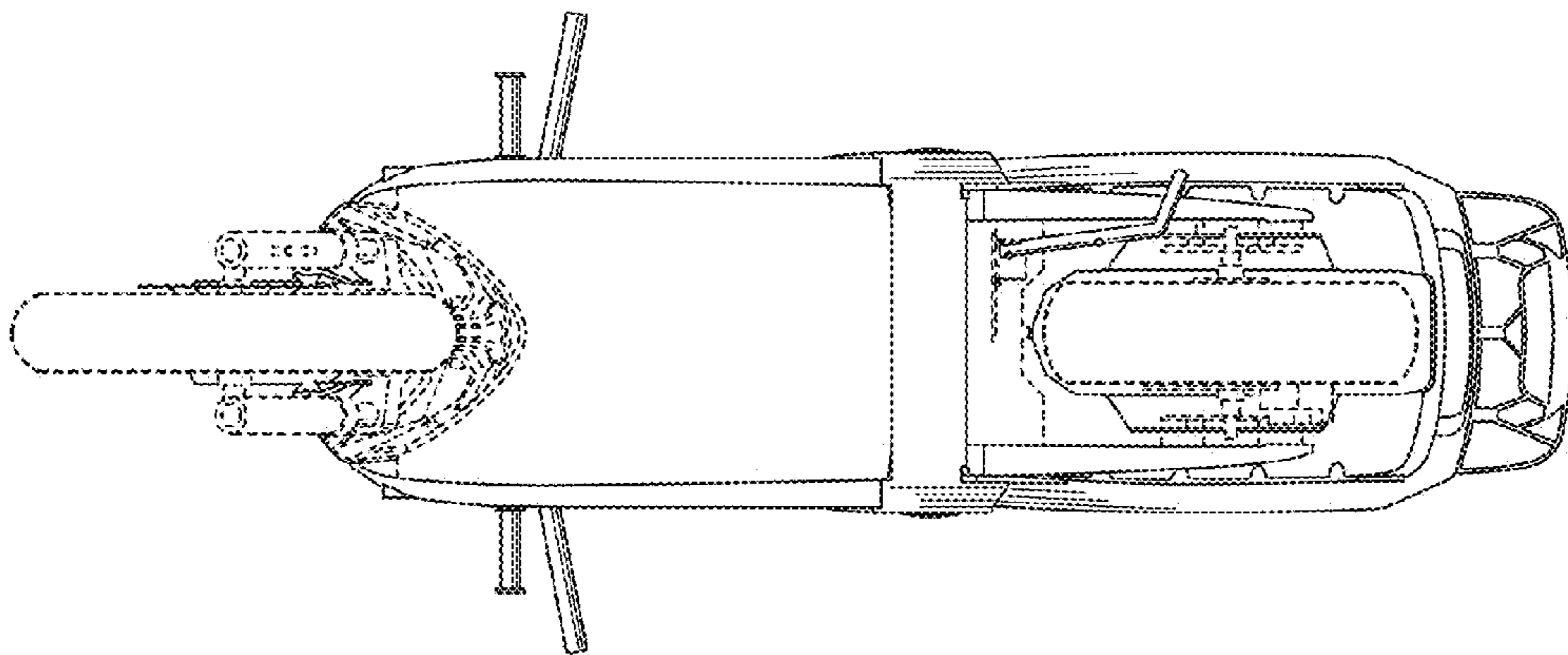


FIG. 8