



US00D731355S

(12) **United States Design Patent**
Smith

(10) **Patent No.:** **US D731,355 S**
(45) **Date of Patent:** **** Jun. 9, 2015**

(54) **COMBINED BELT BUCKLE SLEEVE AND COVER**

(71) Applicant: **Heather J. Smith**, Los Altos, CA (US)

(72) Inventor: **Heather J. Smith**, Los Altos, CA (US)

(**) Term: **14 Years**

(21) Appl. No.: **29/484,411**

(22) Filed: **Mar. 10, 2014**

(51) **LOC (10) Cl.** **02-07**

(52) **U.S. Cl.**
USPC **D11/201**

(58) **Field of Classification Search**
USPC D11/1-2, 200-201, 206-210, 214-218;
24/163 R, 169-171, 173, 177-179, 191,
24/194-195, 197, 200, 614-616, 625, 198,
24/578.11, 578.1, 163 K, 114
CPC A44B 11/26; A44B 11/25; A44B 11/06
See application file for complete search history.

(56) **References Cited**

U.S. PATENT DOCUMENTS

2,265,035	A *	12/1941	Genser	24/193
D307,512	S	5/1990	Woods		
D309,280	S *	7/1990	Balfanz-Lee	D11/215
D332,585	S	1/1993	Olson		
D373,098	S *	8/1996	Lee et al.	D11/215
D387,187	S	12/1997	Connor et al.		

D387,887	S *	12/1997	Jensen	D2/639
5,884,382	A	3/1999	Hansen		
6,463,637	B1	10/2002	Carnahan		
D567,707	S *	4/2008	Yeates et al.	D11/200
D586,691	S *	2/2009	Snell	D11/214
D617,233	S *	6/2010	Bolton	D11/200
D630,446	S *	1/2011	Dammers	D6/328
D632,216	S *	2/2011	Shani et al.	D11/216
D653,017	S *	1/2012	Hamlin	D2/639
D707,584	S *	6/2014	Webb	D11/87

* cited by examiner

Primary Examiner — Ralf Seifert

(74) *Attorney, Agent, or Firm* — Daniel Boudwin; Global Intellectual Property Agency LLC

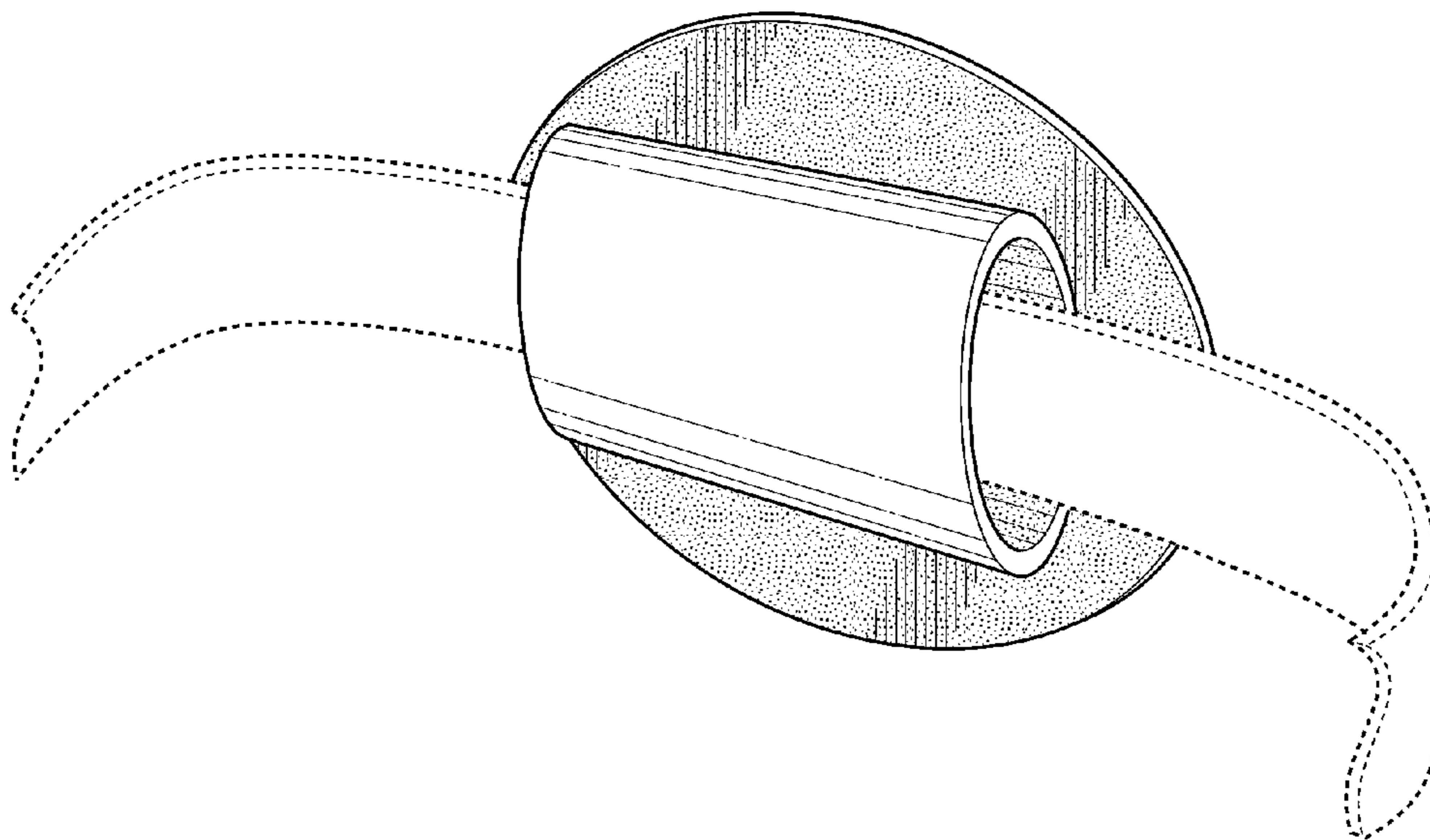
(57) **CLAIM**

The ornamental design for a combined belt buckle sleeve and cover, as shown and described.

DESCRIPTION

FIG. 1 is a rear perspective view of a combined belt buckle sleeve and cover showing my new design; FIG. 2 is a front perspective view; FIG. 3 is a top plan view; FIG. 4 is a rear elevational view; FIG. 5 is a bottom plan view; FIG. 6 is a left side elevational view; and, FIG. 7 is a right side elevational view. The broken line showing of a belt in FIG. 1 is for illustrative purposes only and forms no part of the claimed design.

1 Claim, 3 Drawing Sheets



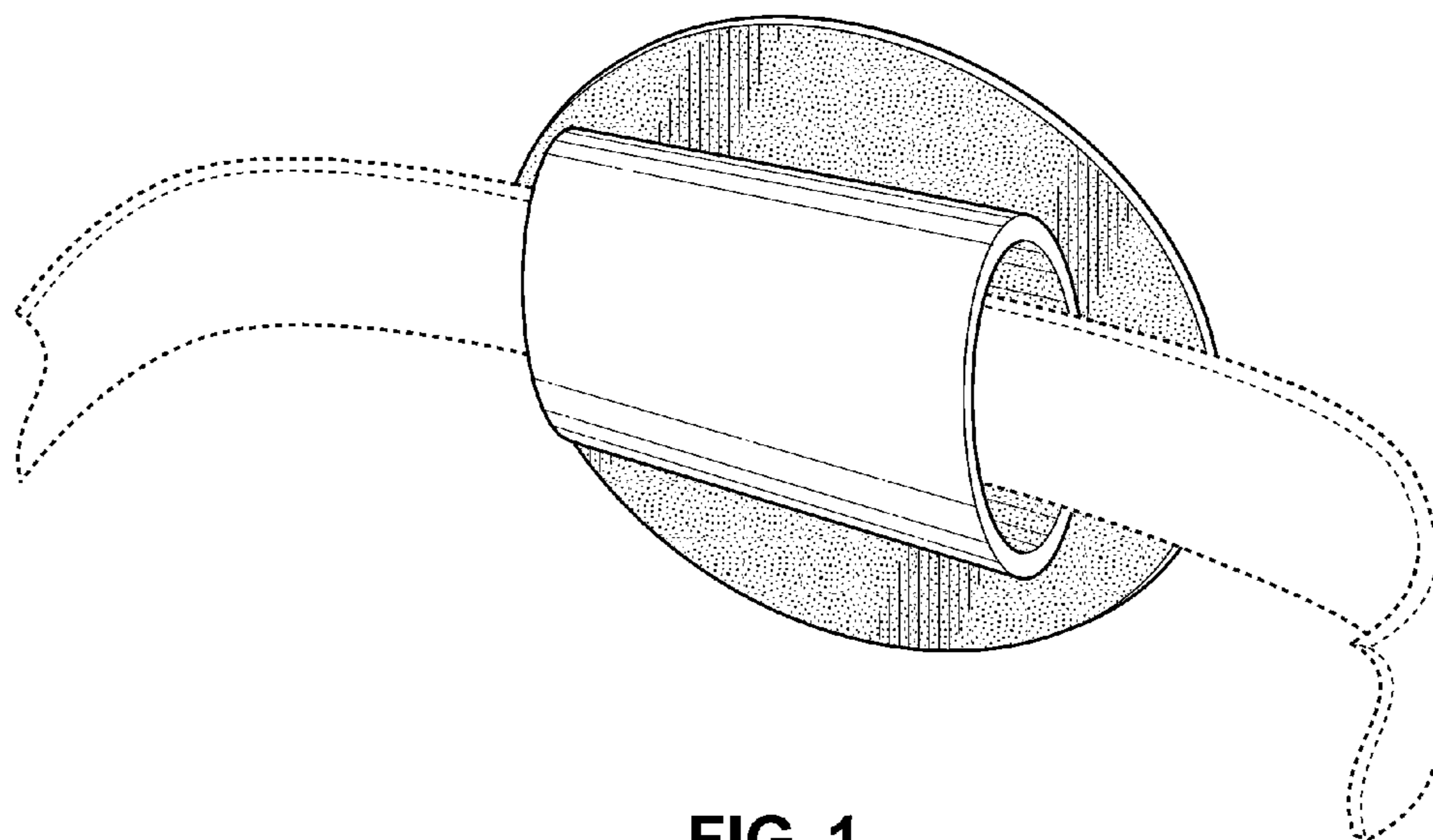


FIG. 1

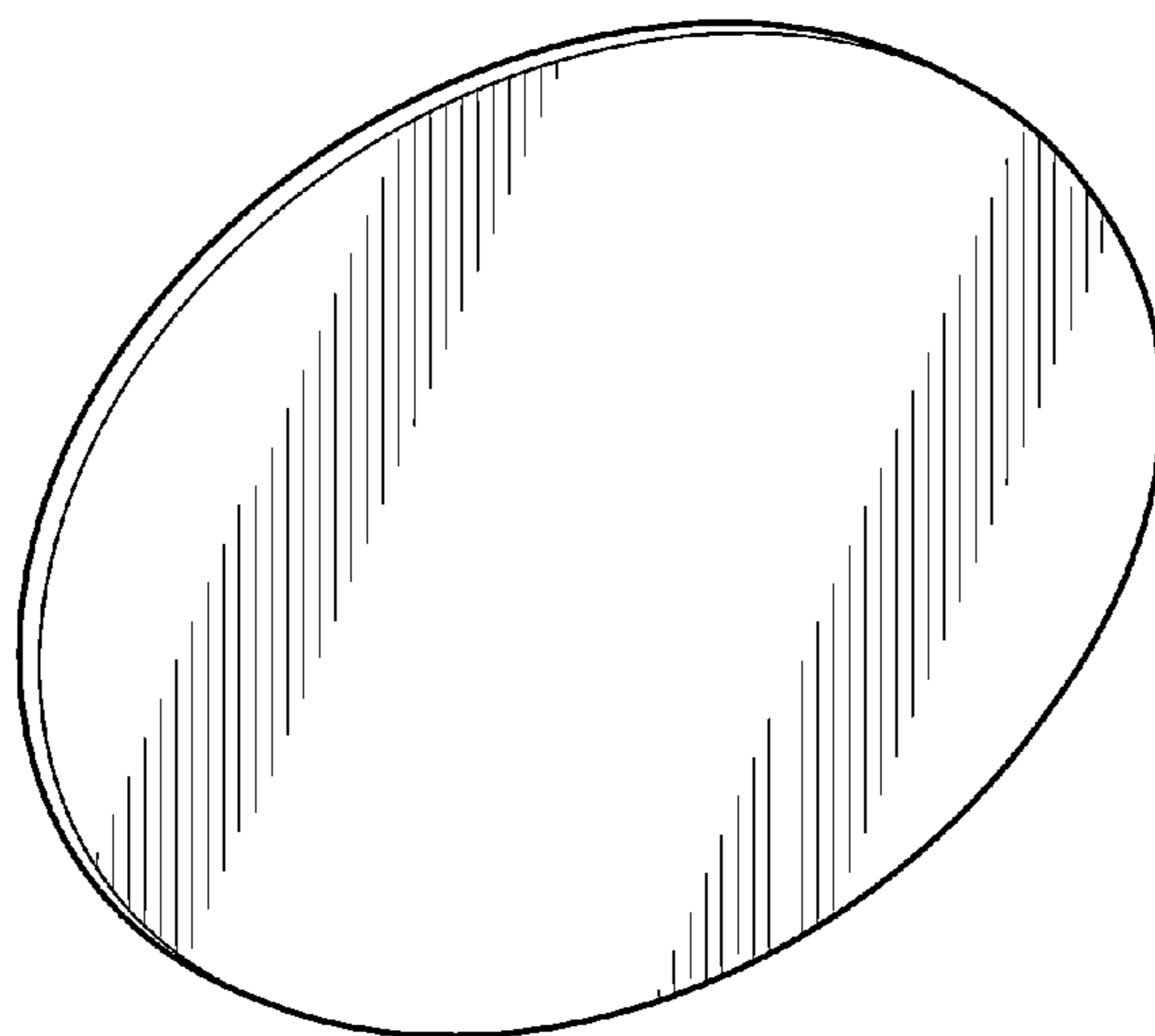


FIG. 2

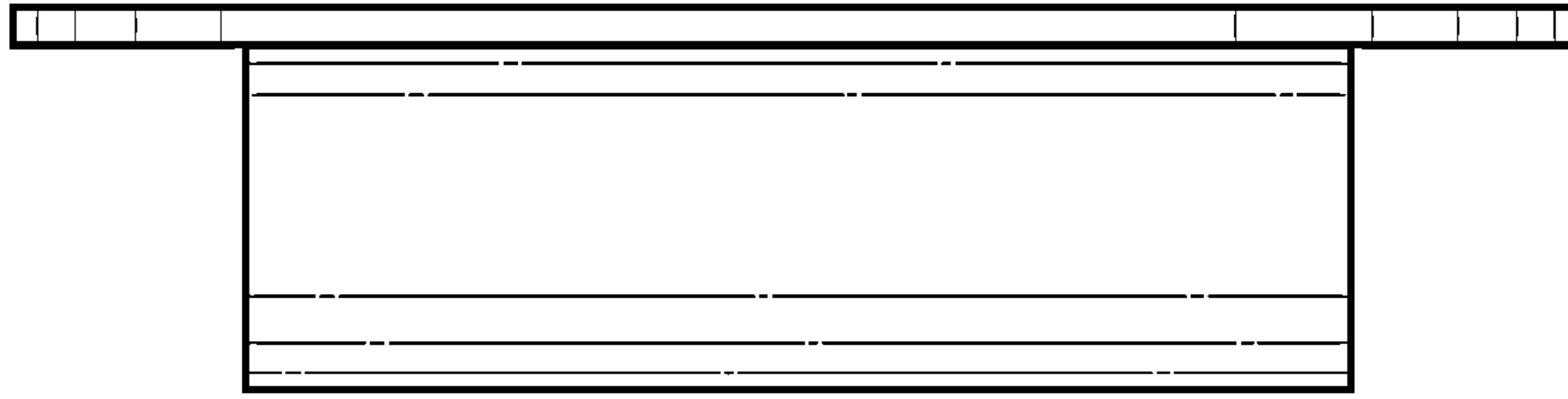


FIG. 3

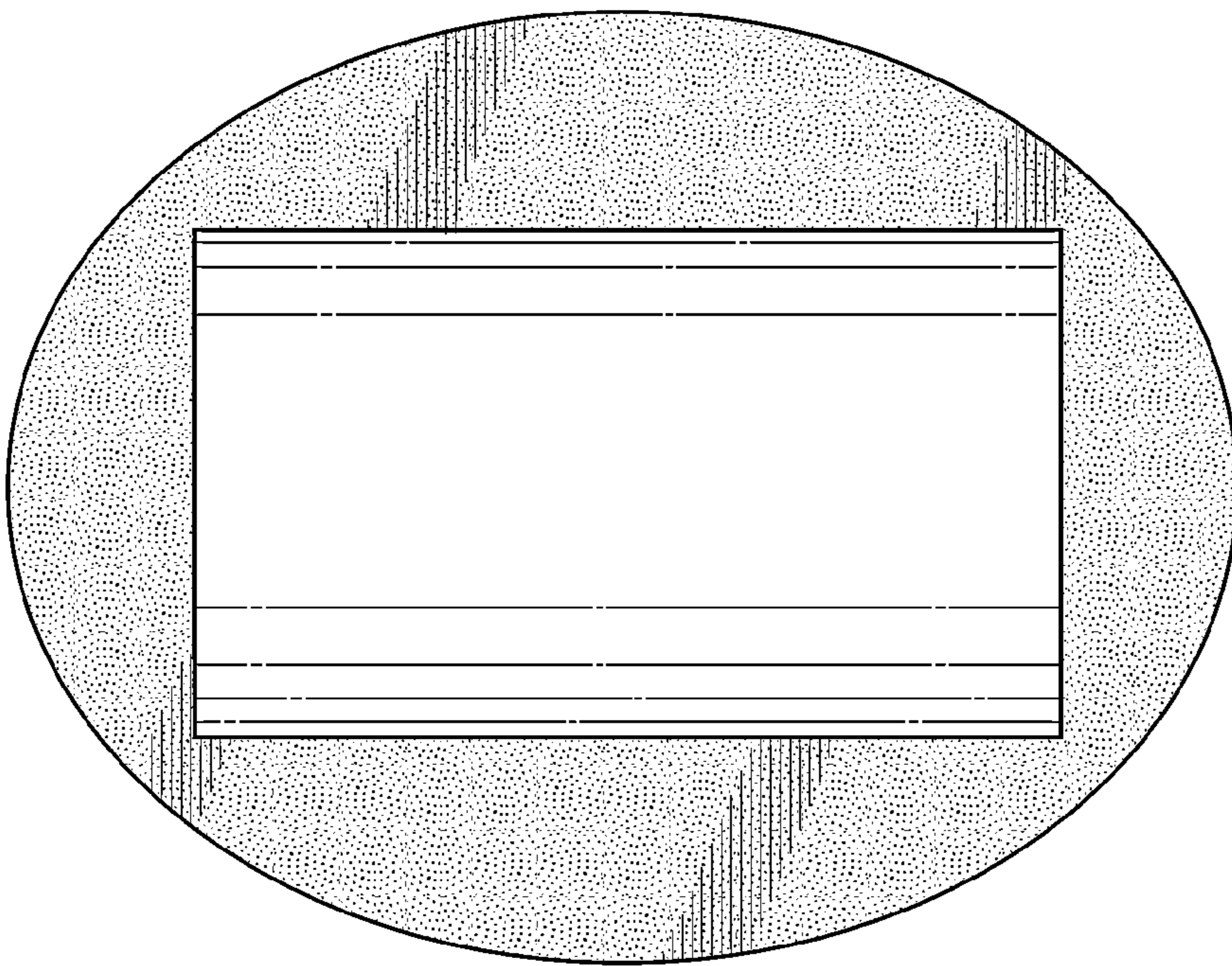


FIG. 4

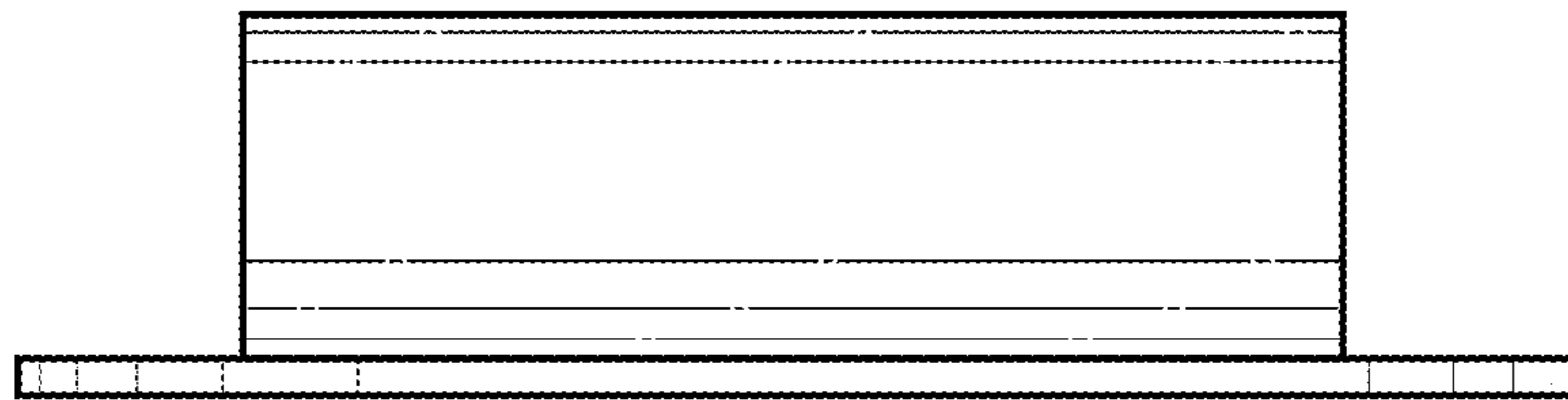


FIG. 5

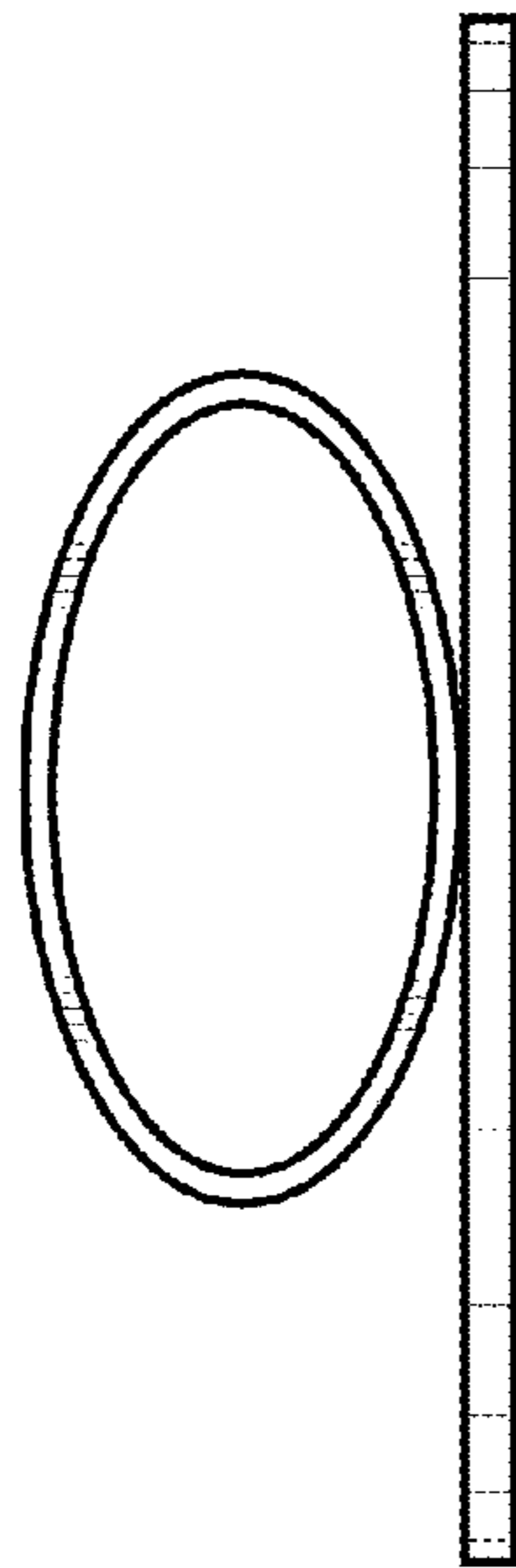


FIG. 6

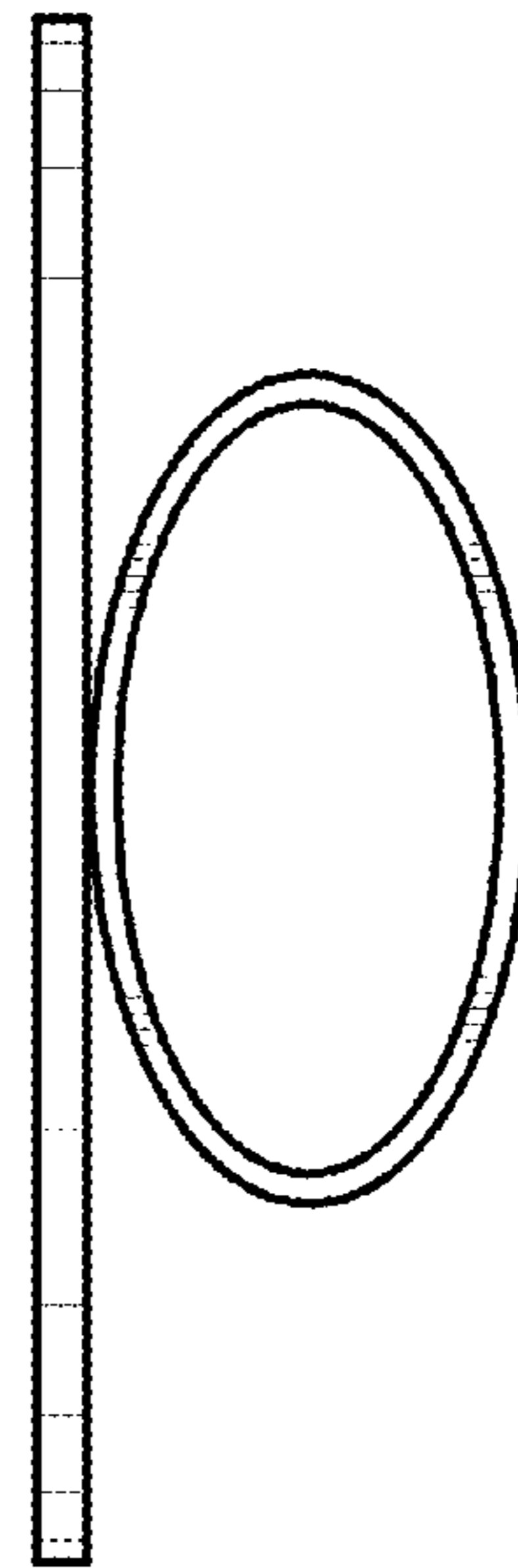


FIG. 7