



US00D731352S

(12) **United States Design Patent**
Howard

(10) **Patent No.:** **US D731,352 S**
(45) **Date of Patent:** **** Jun. 9, 2015**

(54) **PLANTER**

(71) Applicant: **Nicholas Robert Howard**, Lewisham (AU)

(72) Inventor: **Nicholas Robert Howard**, Lewisham (AU)

(**) Term: **14 Years**

(21) Appl. No.: **29/482,019**

(22) Filed: **Feb. 12, 2014**

(30) **Foreign Application Priority Data**

Aug. 13, 2013 (AU) 201313928

(51) **LOC (10) Cl.** **11-02**

(52) **U.S. Cl.**
USPC **D11/155**

(58) **Field of Classification Search**

USPC D3/304, 315, 310-313; D6/403, 404, D6/405; D9/418, 519, 537, 545, 549; D11/143-156; D26/55; 47/17, 39, 47/41.01, 65.5, 65.7, 65.9, 66.6, 66.7, 77, 47/86; D7/509-532; D24/224
CPC A01G 9/02; A01G 9/022; A01G 9/04; A01G 9/042; A01G 9/045; A01G 9/10; A47G 7/045; A47G 7/047

See application file for complete search history.

(56) **References Cited**

U.S. PATENT DOCUMENTS

D237,729	S	*	11/1975	Coppa	D11/145
D268,996	S	*	5/1983	Elleby et al.	D11/145
4,811,840	A	*	3/1989	Muyskens	206/320
D309,262	S	*	7/1990	Coiner	D9/418
5,289,969	A	*	3/1994	Schwaner	229/122.21
5,307,928	A	*	5/1994	Bishop	206/320
5,573,176	A	*	11/1996	Applegate	229/162.6
7,228,965	B2	*	6/2007	Marventano et al.	206/320
D698,181	S	*	1/2014	Bujan	D6/403
D714,184	S	*	9/2014	Lucht	D11/155

* cited by examiner

Primary Examiner — Elizabeth Albert

(74) *Attorney, Agent, or Firm* — I. Morley Drucker; Fulwider Patton LLP

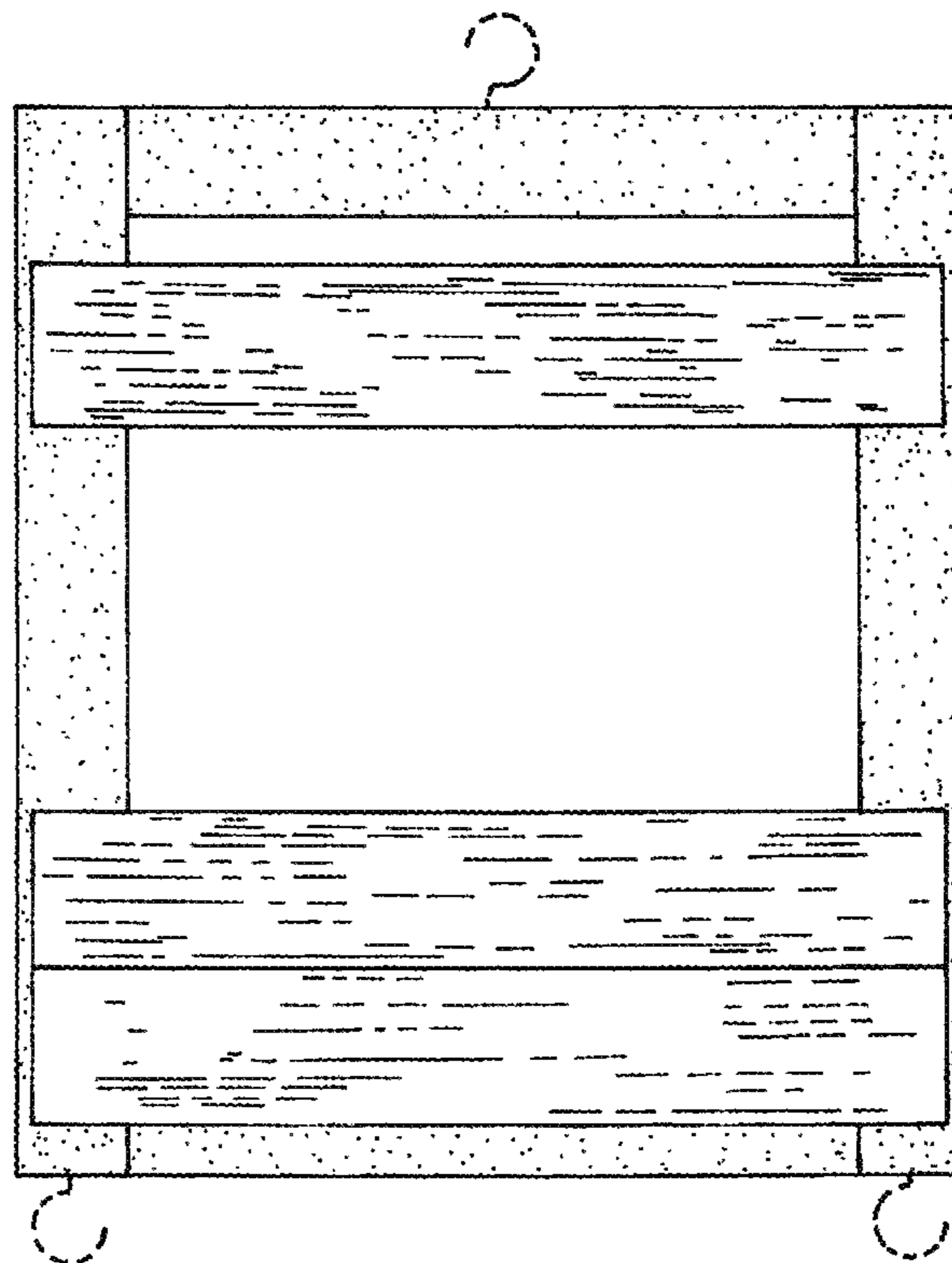
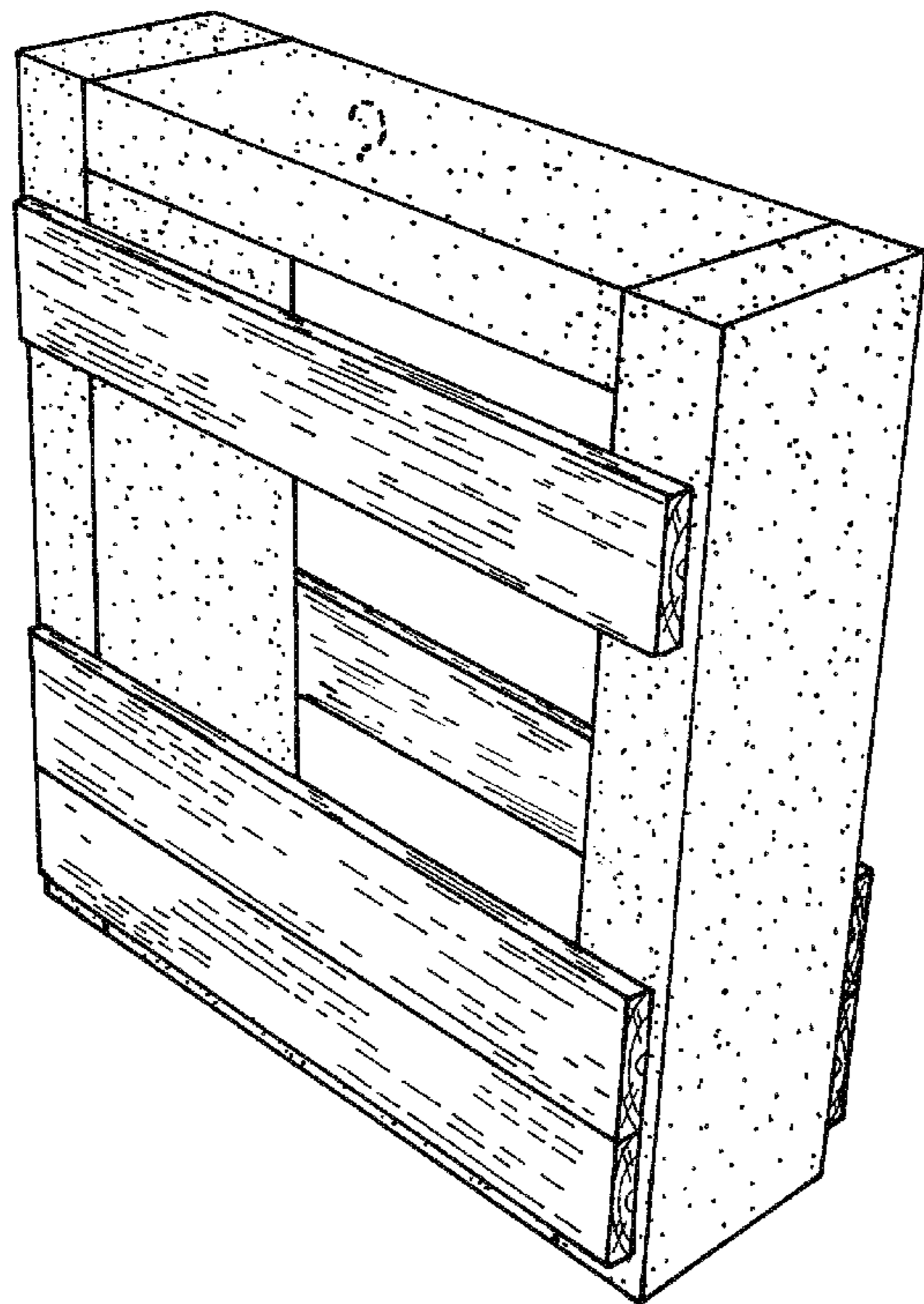
(57) **CLAIM**

The ornamental design for a planter, as shown and described.

DESCRIPTION

FIG. 1 is a front perspective view of a planter viewed from below showing my design;
FIG. 2 is a rear perspective view from above;
FIG. 3 is a rear view;
FIG. 4 is a plan view thereof;
FIG. 5 is a side view thereof; and,
FIG. 6 is a front view thereof.
The broken lines showing hooks on the planter are included to show features that form no part of the claimed design.

1 Claim, 6 Drawing Sheets



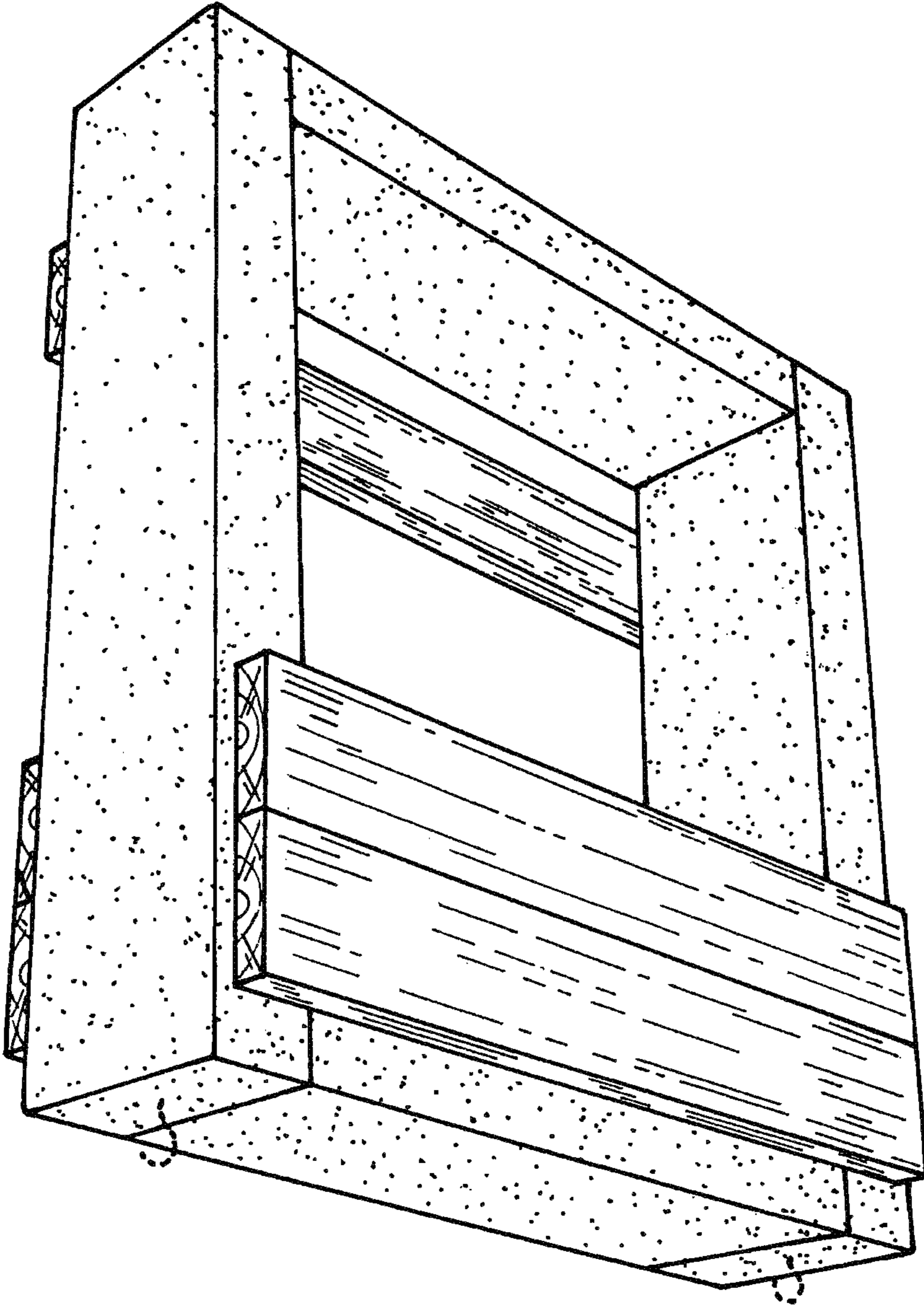


FIG.1

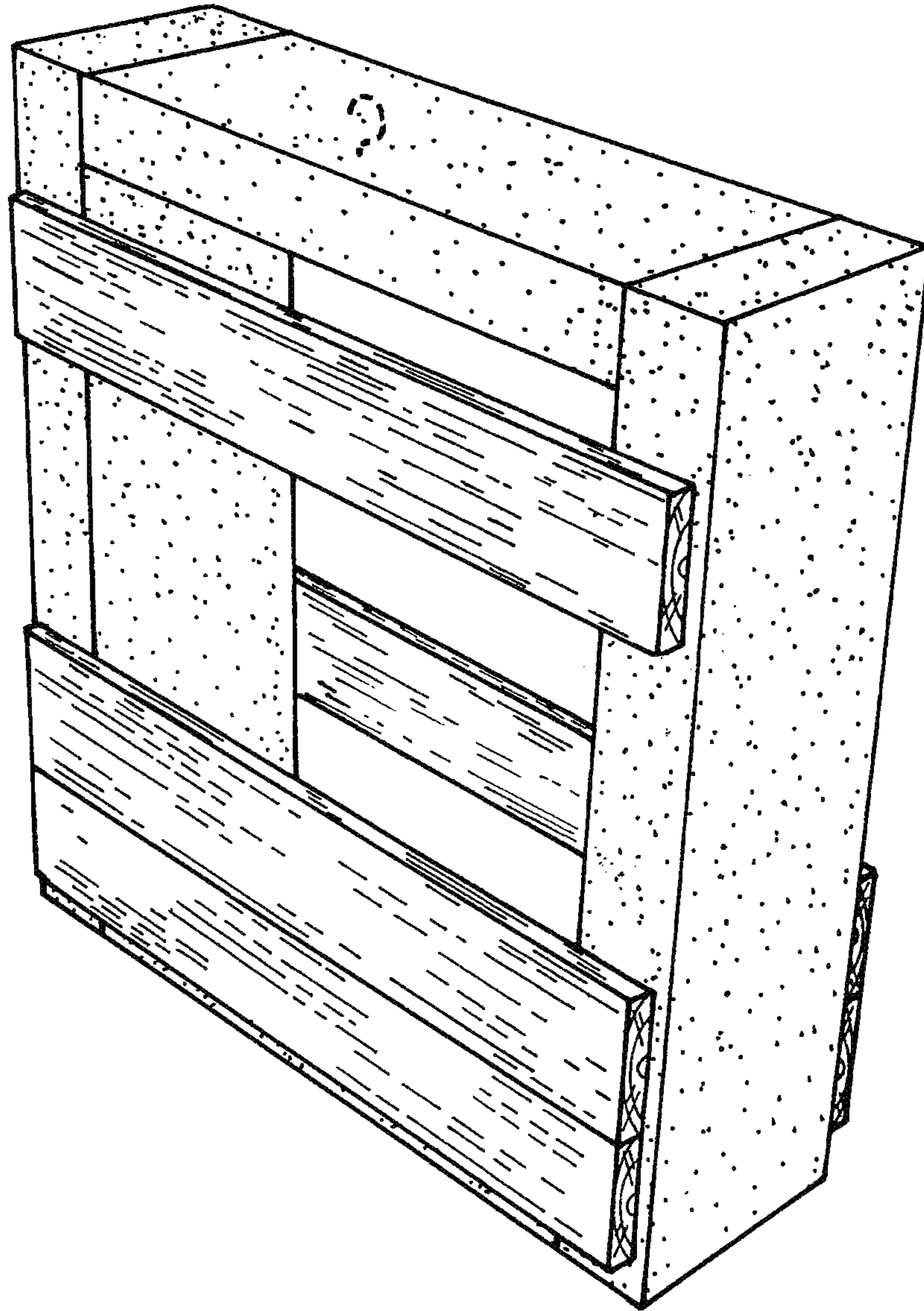


FIG.2

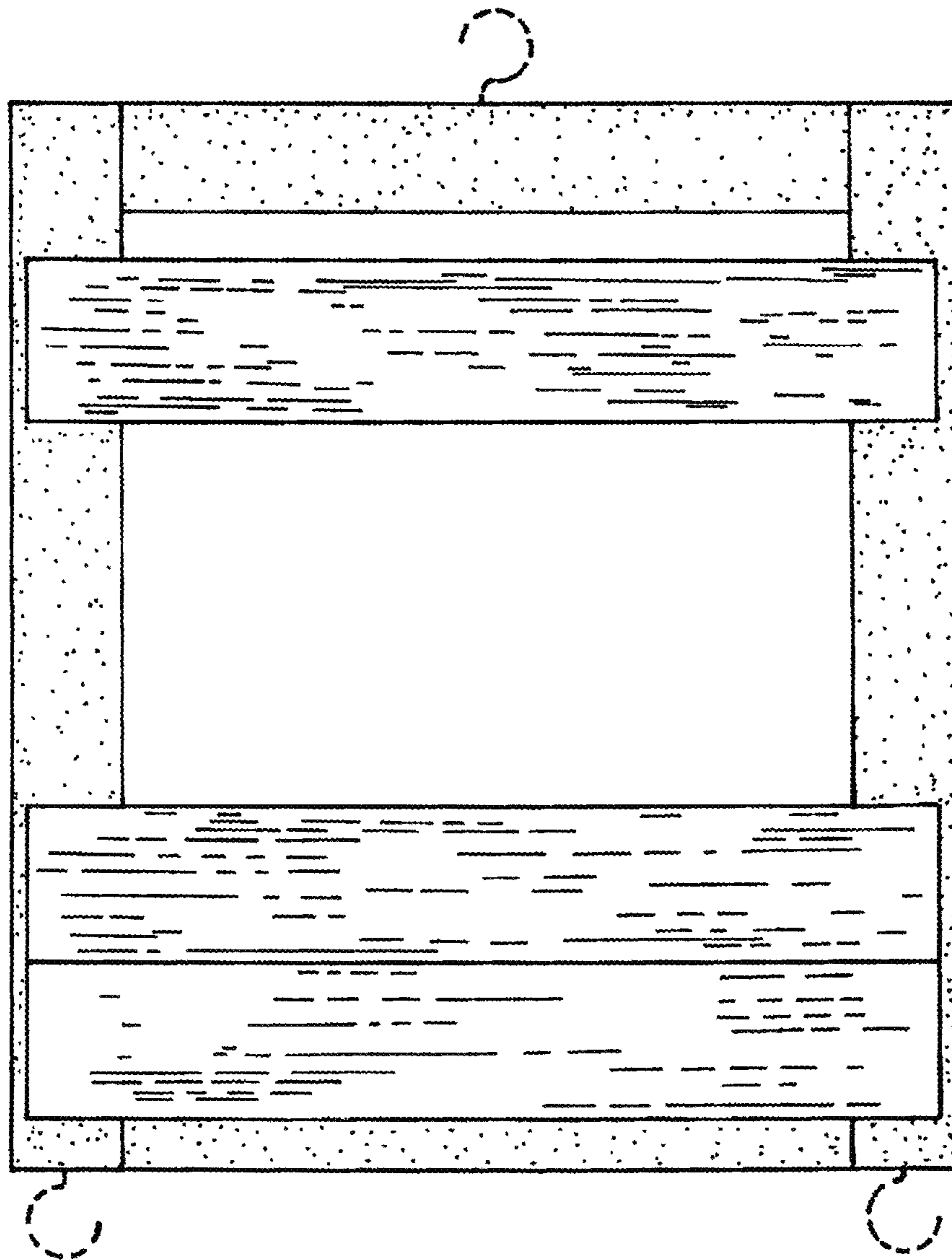


FIG. 3

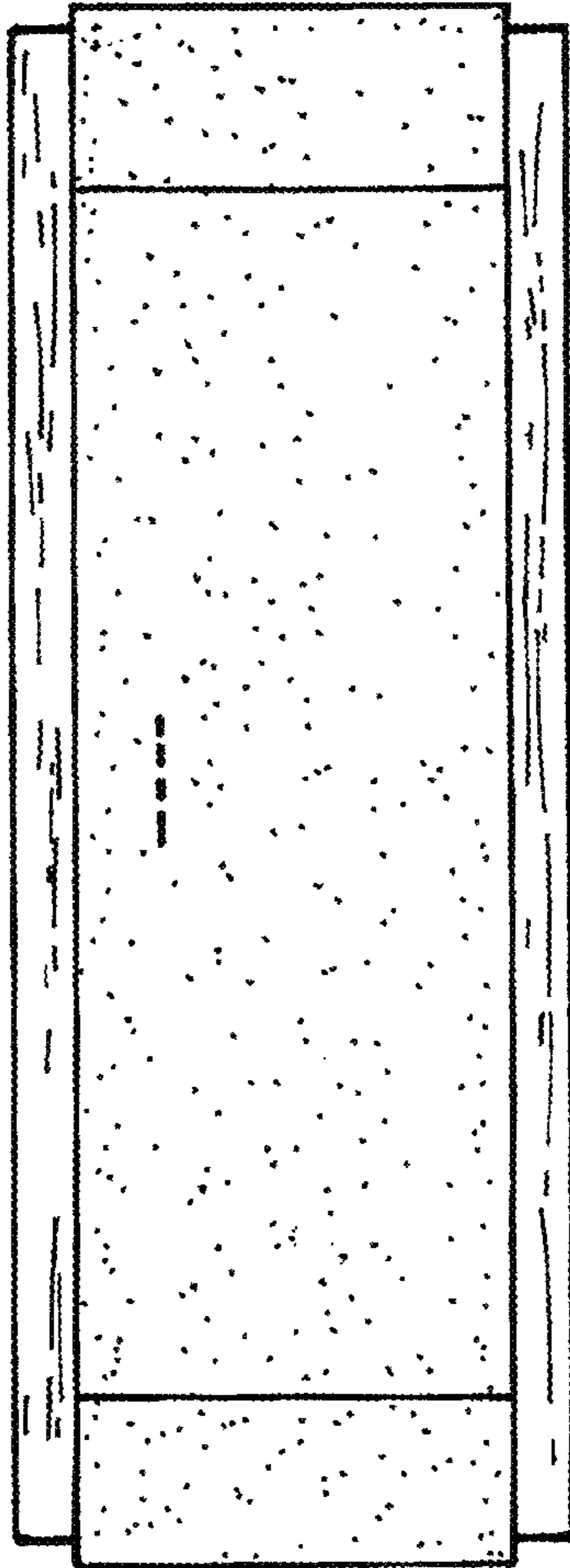


FIG. 4

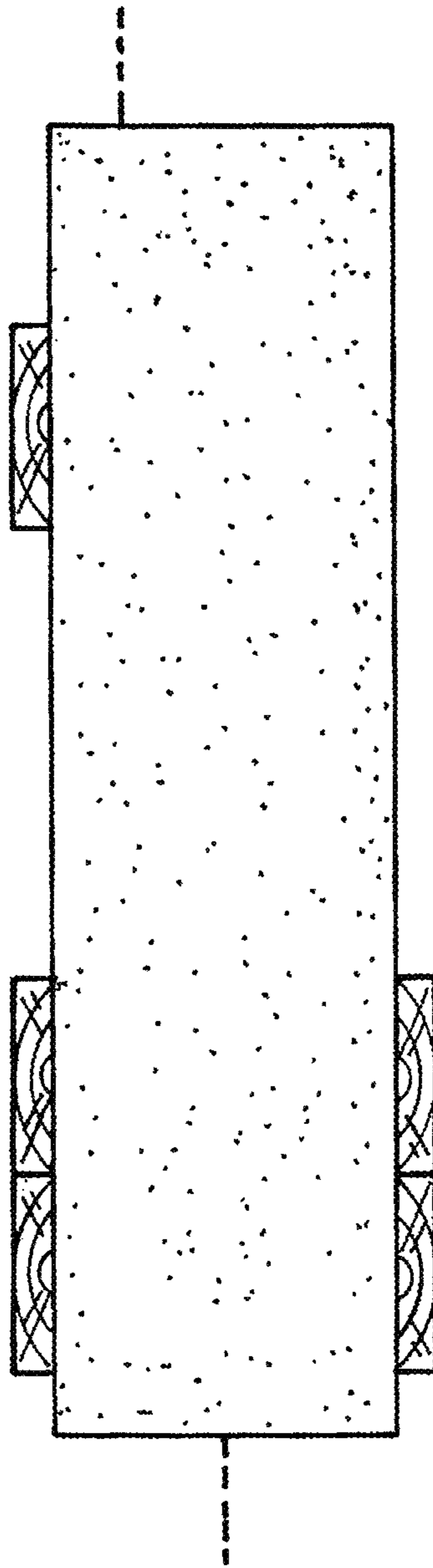


FIG. 5

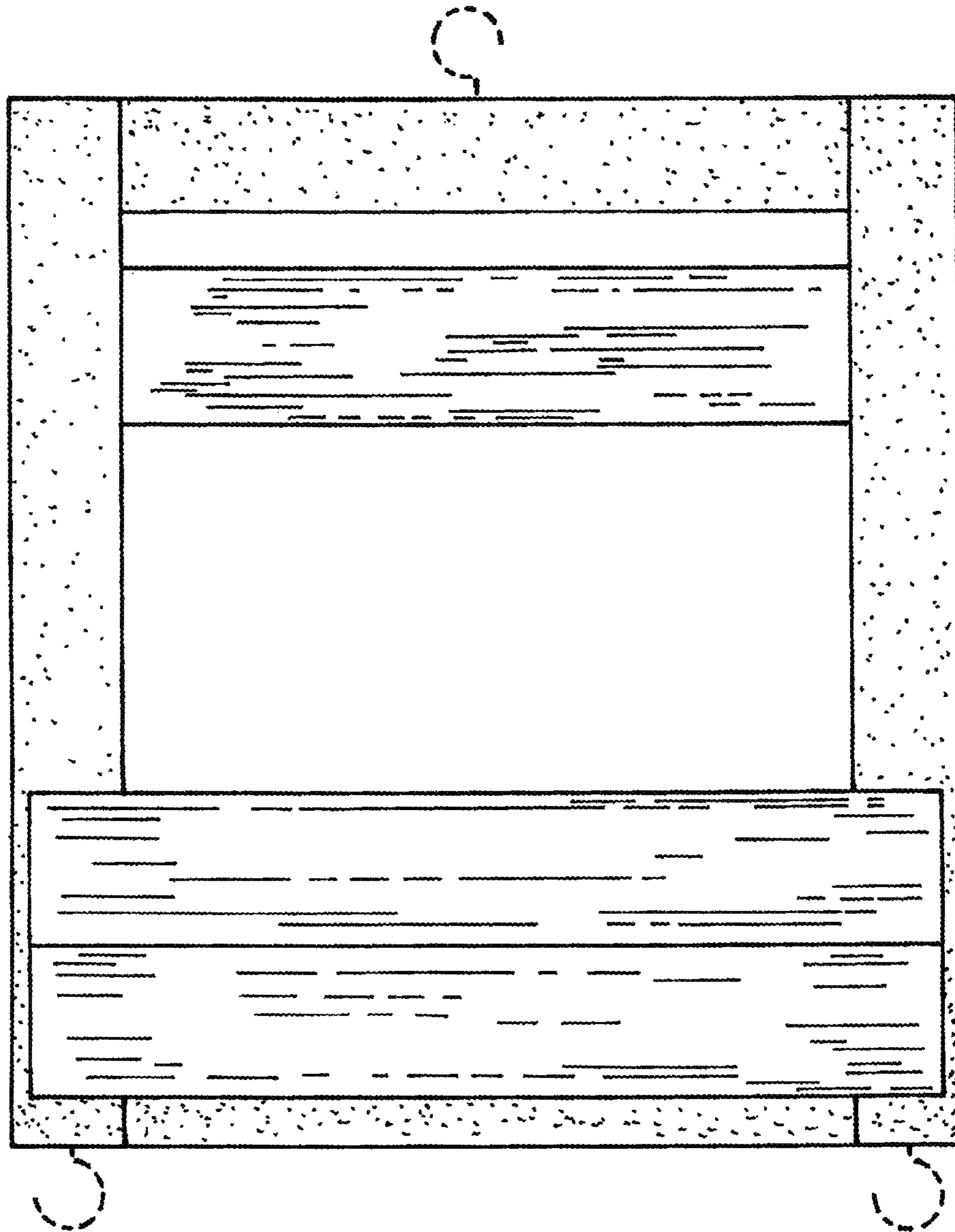


FIG. 6