



US00D731342S

(12) **United States Design Patent**
Tomita et al.

(10) **Patent No.:** **US D731,342 S**
(45) **Date of Patent:** **** Jun. 9, 2015**

(54) **PRESSURE SENSOR**

(71) Applicant: **FUJIKURA LTD.**, Koto-ku, Tokyo (JP)

(72) Inventors: **Michikazu Tomita**, Sakura (JP); **Yuki Suto**, Sakura (JP)

(73) Assignee: **FUJIKURA LTD.**, Tokyo (JP)

(**) Term: **14 Years**

(21) Appl. No.: **29/500,055**

(22) Filed: **Aug. 21, 2014**

(30) **Foreign Application Priority Data**

Feb. 28, 2014 (JP) 2014-004302

(51) **LOC (10) Cl.** **10-04**

(52) **U.S. Cl.**
USPC **D10/85**

(58) **Field of Classification Search**
USPC D10/83-85
CPC B60C 23/0408; B60C 23/0494; G01L 7/043;
G01L 7/00-7/24; G01L 13/00-13/06; G01L
15/00; G01L 17/00-17/005; G01L
19/00-19/16; G01L 23/00-23/32; G01L
27/00-23/02

See application file for complete search history.

(56) **References Cited**

U.S. PATENT DOCUMENTS

2012/0204652 A1* 8/2012 Ho et al. 73/724
* cited by examiner

Primary Examiner — Antoine D Davis

(74) *Attorney, Agent, or Firm* — Sughrue Mion, PLLC

(57) **CLAIM**

The ornamental design for a pressure sensor, as shown and described.

DESCRIPTION

FIG. 1 is a top perspective view of a pressure sensor.
FIG. 2 is a bottom perspective view thereof.
FIG. 3 is a front elevation view thereof.
FIG. 4 is a rear elevation view thereof.
FIG. 5 is a top plan view thereof.
FIG. 6 is a bottom plan view thereof.
FIG. 7 is a left side elevation view thereof; and,
FIG. 8 is a right side elevation view thereof.

1 Claim, 8 Drawing Sheets

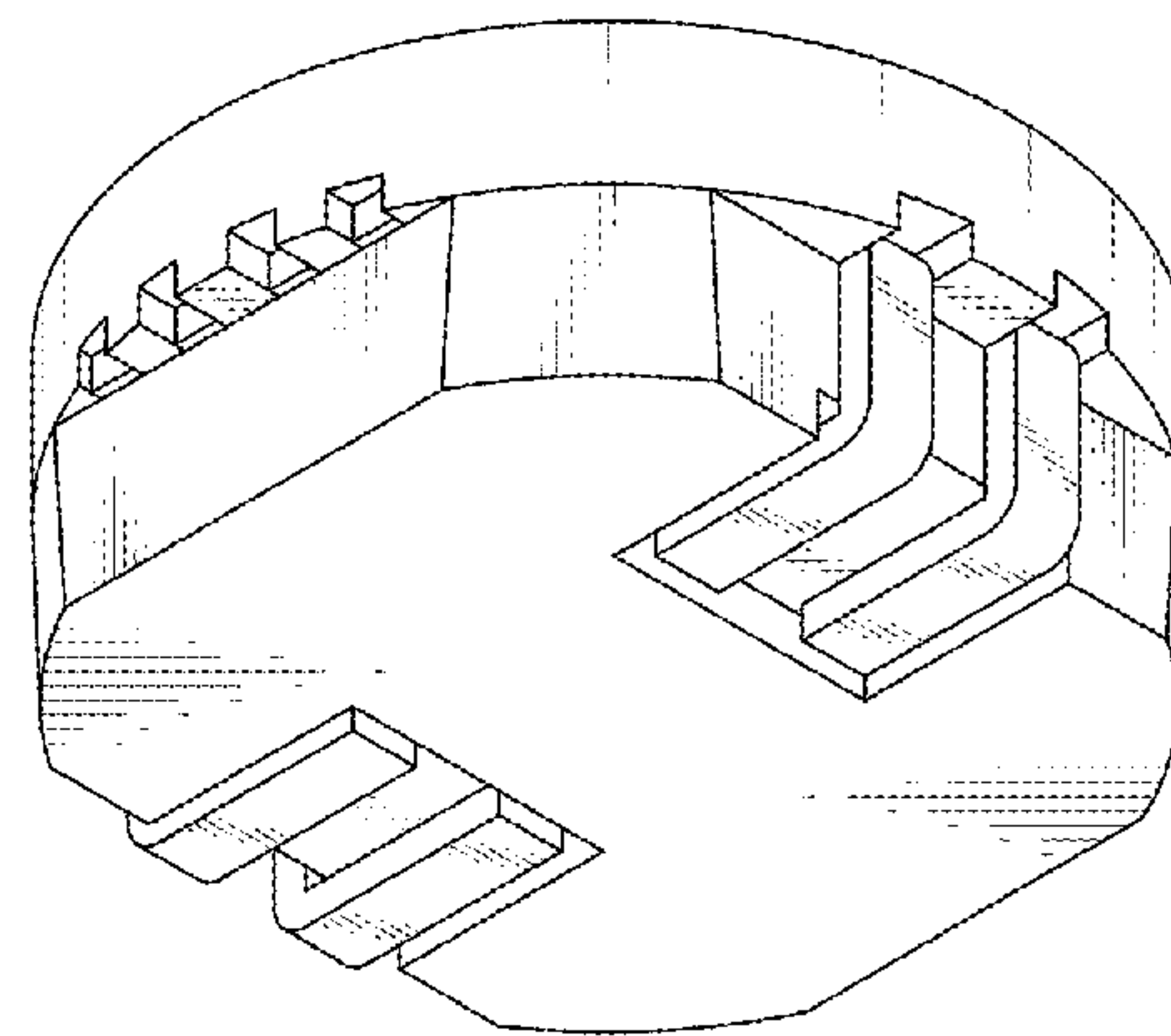
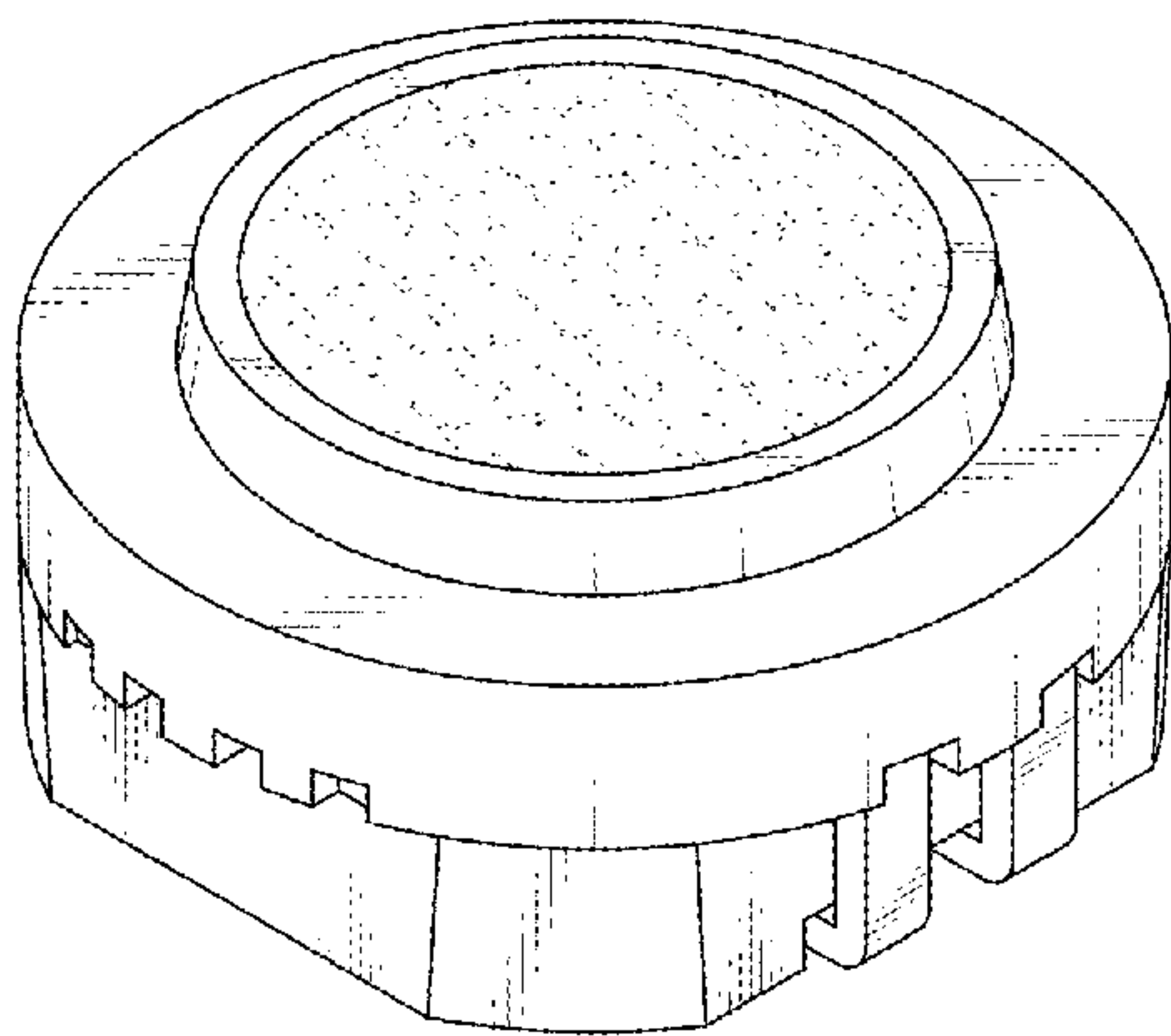


FIG. 1

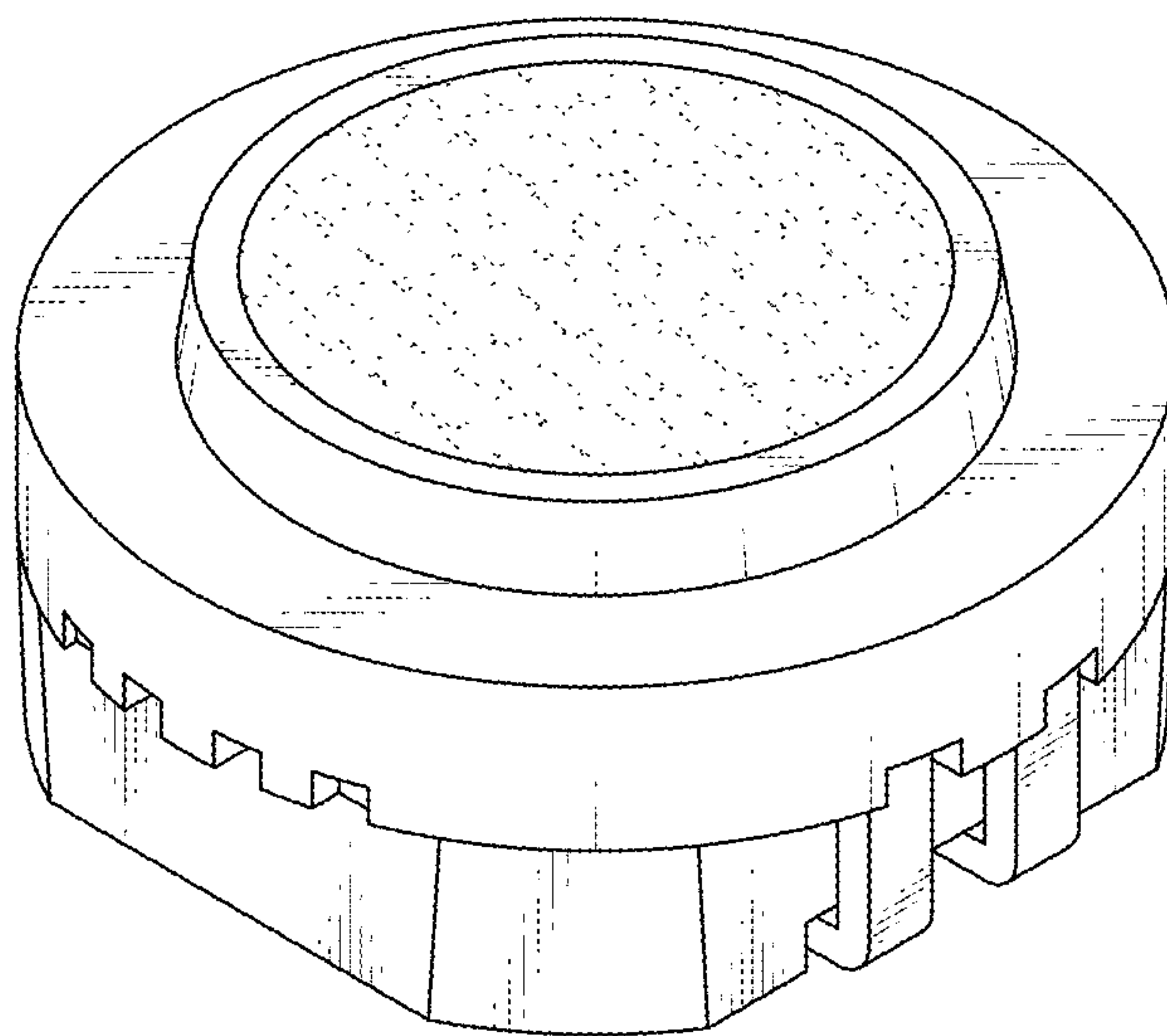


FIG. 2

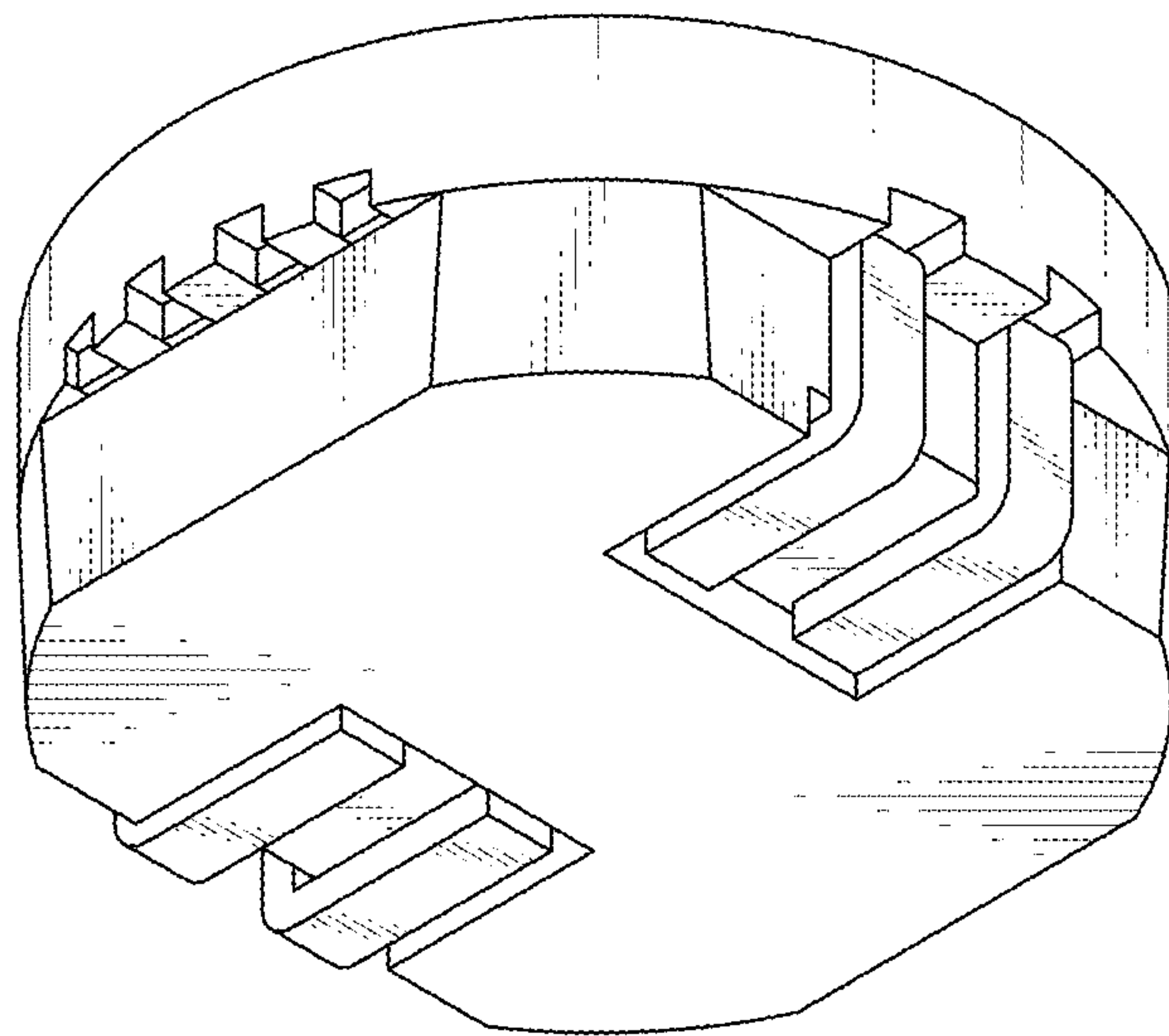


FIG. 3

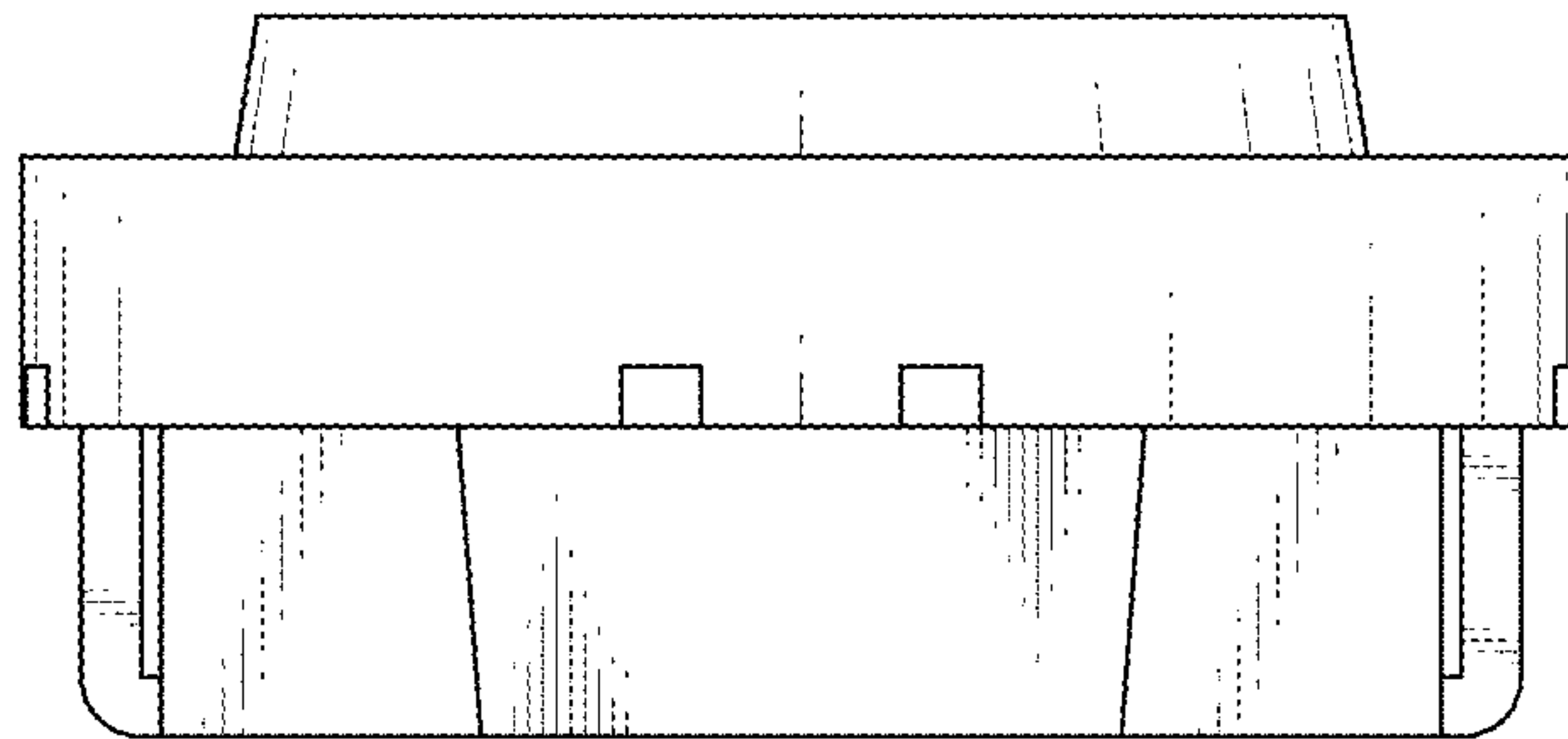


FIG. 4

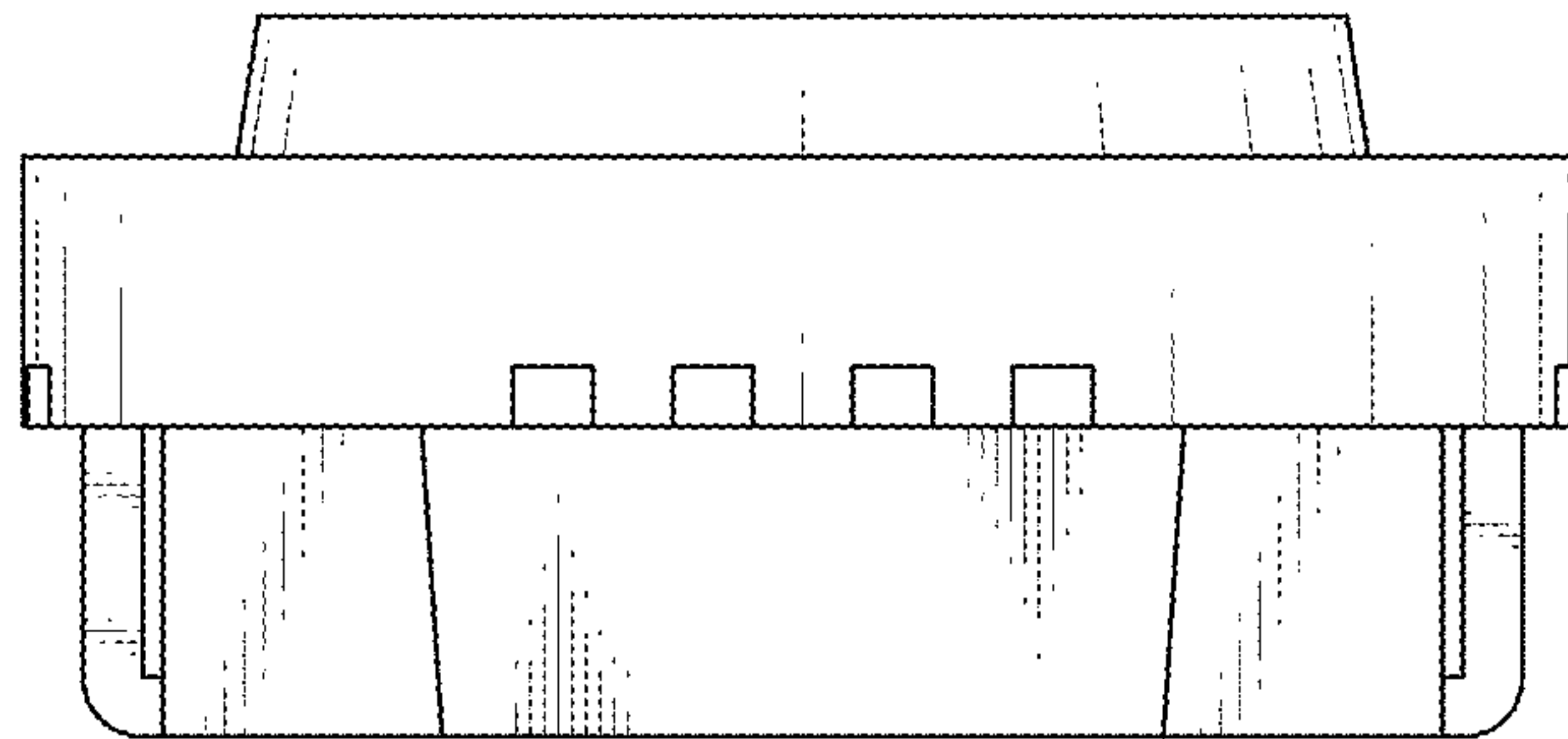


FIG. 5

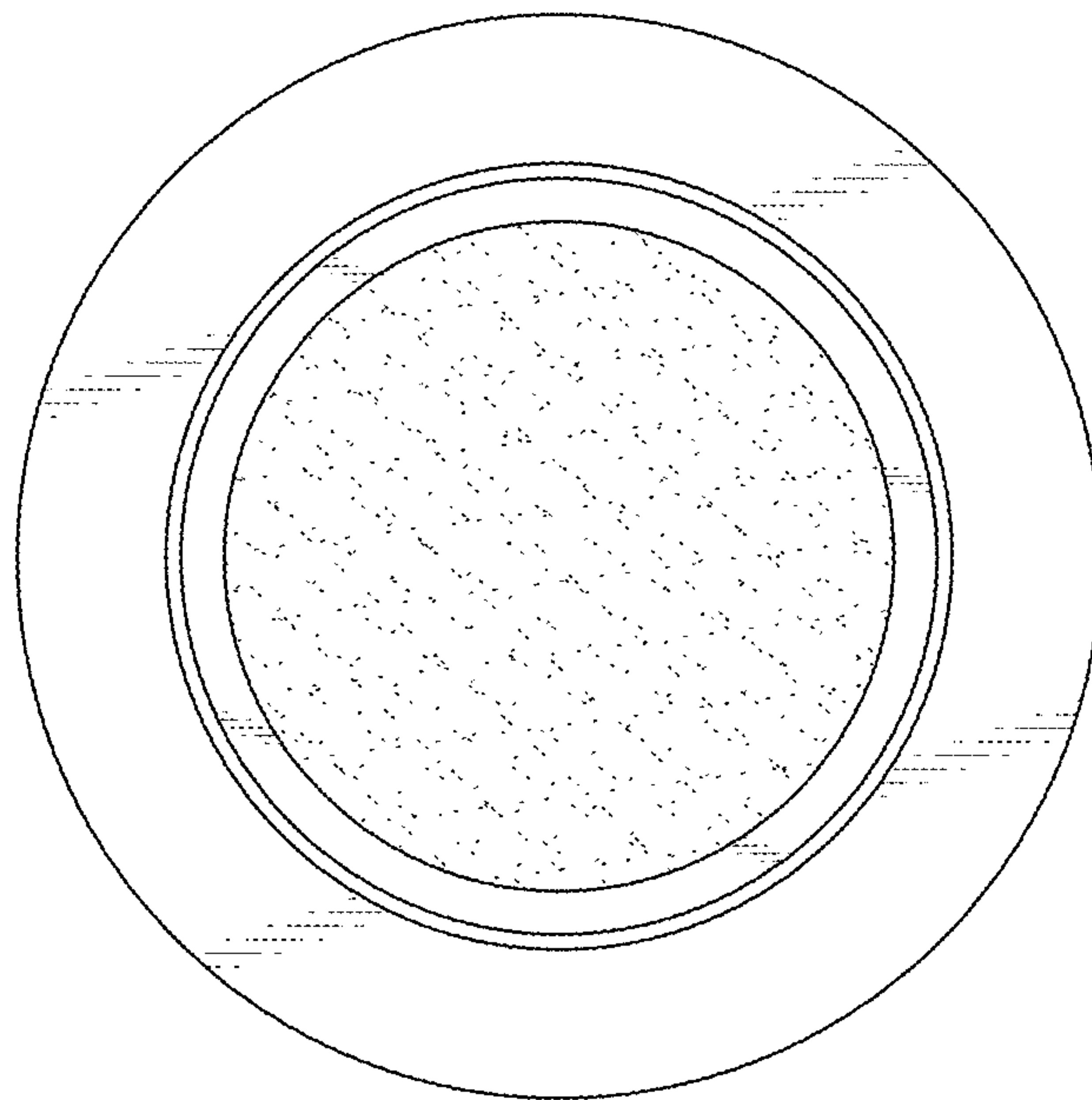


FIG. 6

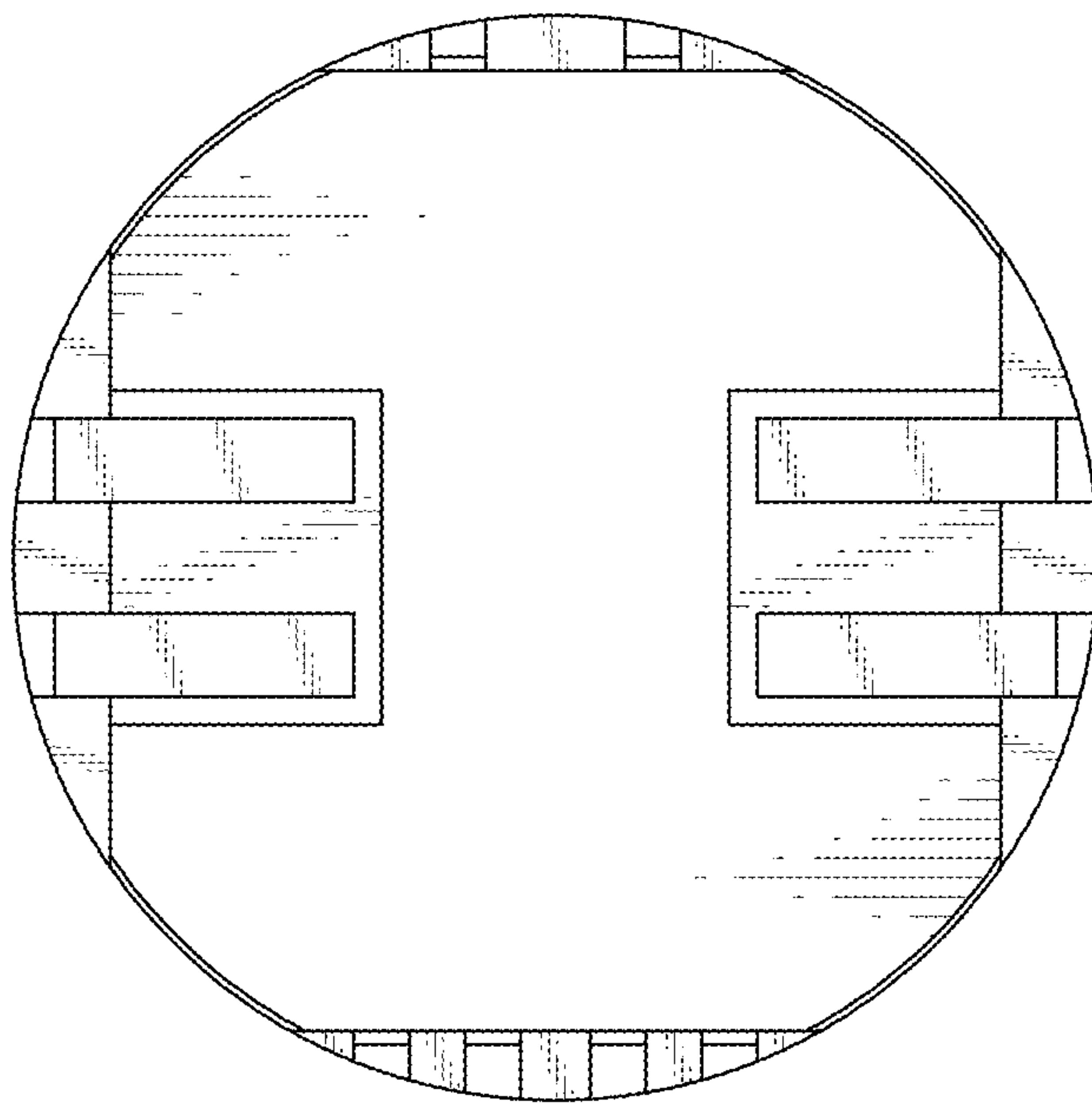


FIG. 7



FIG. 8

