



US00D731341S

(12) **United States Design Patent**
Kobayakawa

(10) **Patent No.:** **US D731,341 S**
(45) **Date of Patent:** **** Jun. 9, 2015**

(54) **BREATH ANALYZER**

(71) Applicant: **TANITA CORPORATION**, Tokyo (JP)

(72) Inventor: **Tatsutoshi Kobayakawa**, Tokyo (JP)

(73) Assignee: **TANITA CORPORATION**, Tokyo (JP)

(**) Term: **14 Years**

(21) Appl. No.: **29/488,765**

(22) Filed: **Apr. 23, 2014**

(30) **Foreign Application Priority Data**

Oct. 23, 2013 (JP) 2013-024657

(51) **LOC (10) Cl.** **10-04**

(52) **U.S. Cl.**
USPC **D10/81**

(58) **Field of Classification Search**

USPC D10/78, 81; D24/216, 232-234;
73/1.01, 1.02-1.08, 1.16, 19.01-19.02,
73/23.2-23.27, 23.3, 23.35-24.01, 52,
73/53.01, 61.52-61.61, 864.21, 431,
73/864.73, 31.03, 31.05, 866.5, 864.84,
73/864.23, 61.55, 863.01, 866, 864.62;
204/253, 400, 403.01, 403.02, 403.04,
204/403.05, 403.1, 403.11, 403.14;
205/775, 777.5, 778, 792;
210/656-660, 198.2, 635, 101, 103;
250/287, 282, 299, 252.1, 251, 25,
250/281-300, 305, 336.1, 338.1, 338.5,
250/339.07, 339.13, 343, 349, 239, 910;
356/446, 246, 301-337, 451, 72, 73,
356/318; 422/50-53, 62-82, 83-98, 39.2,
422/400, 401, 404; 435/4, 283.1-284.1,
435/286.5, 287.1, 287.2, 806, 13, 14, 287.4,
435/287.7, 287.94, 6.18; 436/43-54, 68,
436/900, 514, 530, 95; 600/300, 301, 309,
600/322, 345, 347, 365, 393, 578, 583, 584,
600/532, 543; 604/207, 503, 65, 66, 67,
604/182; 702/19, 40; 221/65, 135; 235/451,
235/422.01; 95/87; 96/101, 106; 366/286,
366/207

CPC A61B 5/083; A61B 5/087; A61B 5/0833;
A61B 5/091; A61B 5/222; A61B 5/0002;
A61B 5/02438; A61B 5/08; G01N 33/497;
G01N 33/4972; G01N 33/483; G01N 33/98;
G10L 17/00; Y10S 436/90

See application file for complete search history.

(56) **References Cited**

U.S. PATENT DOCUMENTS

4,749,553 A * 6/1988 Lopez et al. 422/84
D602,384 S * 10/2009 Samborn et al. D10/81

Primary Examiner — Antoine D Davis

(74) *Attorney, Agent, or Firm* — Oliff PLC

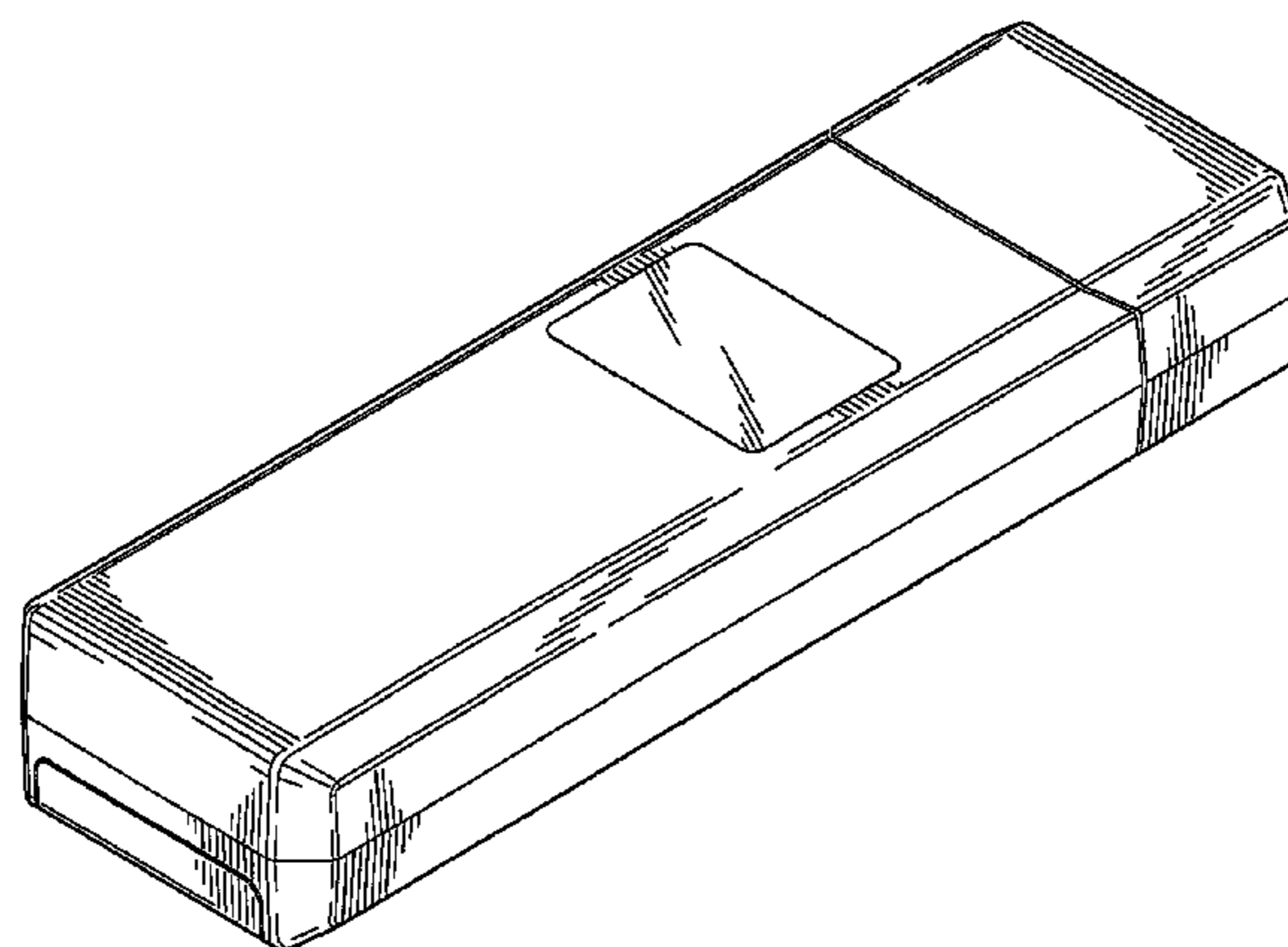
(57) **CLAIM**

The ornamental design for a breath analyzer, as shown and described.

DESCRIPTION

FIG. 1 is a perspective view of a design for a breath analyzer;
FIG. 2 is a front view thereof;
FIG. 3 is a rear view thereof;
FIG. 4 is a top view thereof;
FIG. 5 is a bottom view thereof;
FIG. 6 is a left side view thereof;
FIG. 7 is a right side view thereof;
FIG. 8 is a perspective view of the design for a breath analyzer
of FIG. 1 in which an end portion of the housing is in an
extended state;
FIG. 9 is a front view thereof;
FIG. 10 is a rear view thereof;
FIG. 11 is a top view thereof;
FIG. 12 is a bottom view thereof;
FIG. 13 is a left side view thereof; and,
FIG. 14 is a right side view thereof.
The broken lines depict environmental subject matter only
and form no part of the claimed design.

1 Claim, 8 Drawing Sheets



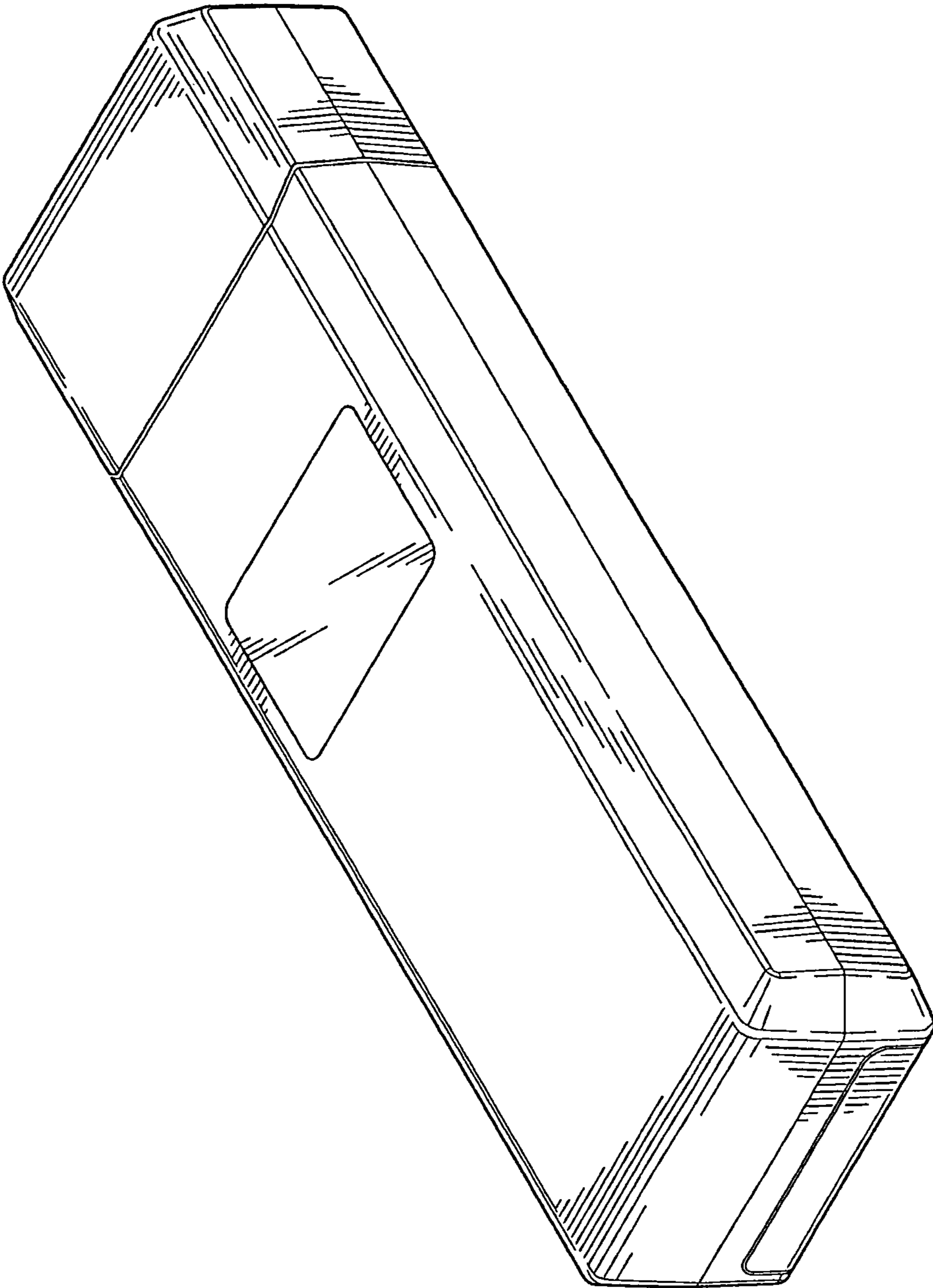


FIG. 1

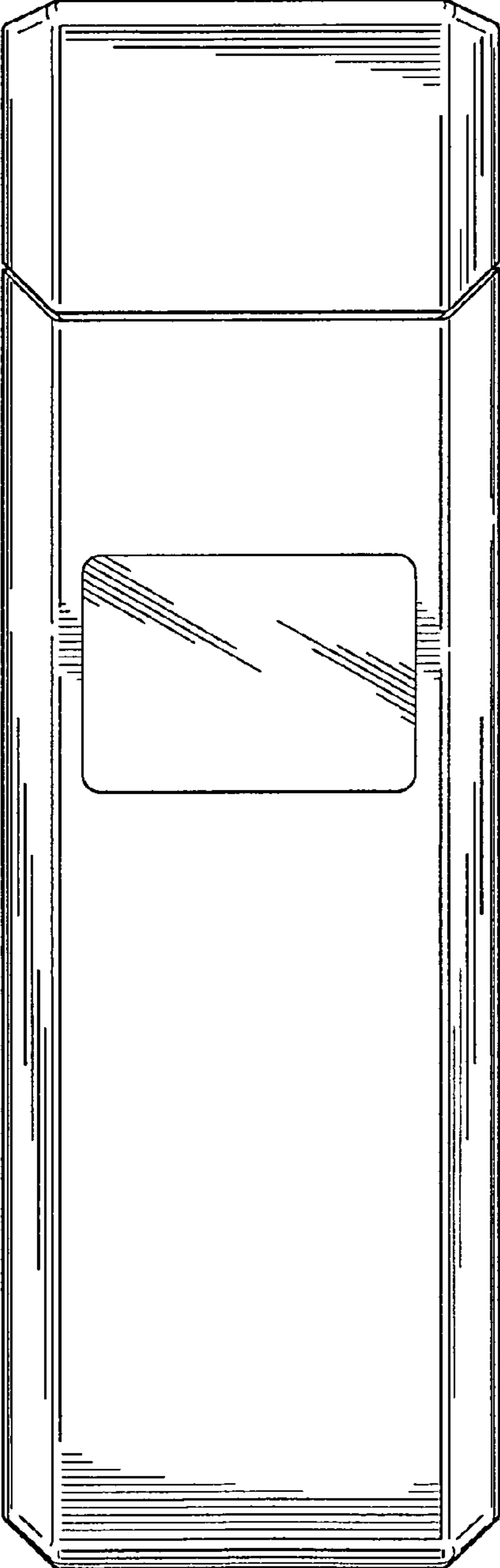


FIG. 2

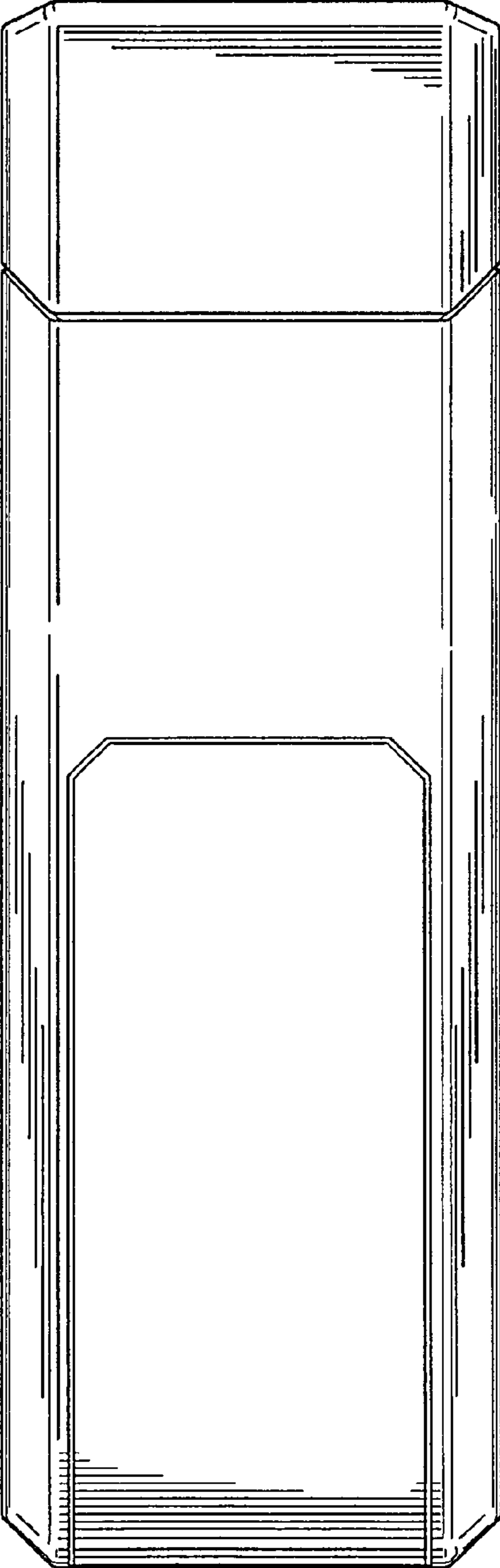


FIG. 3

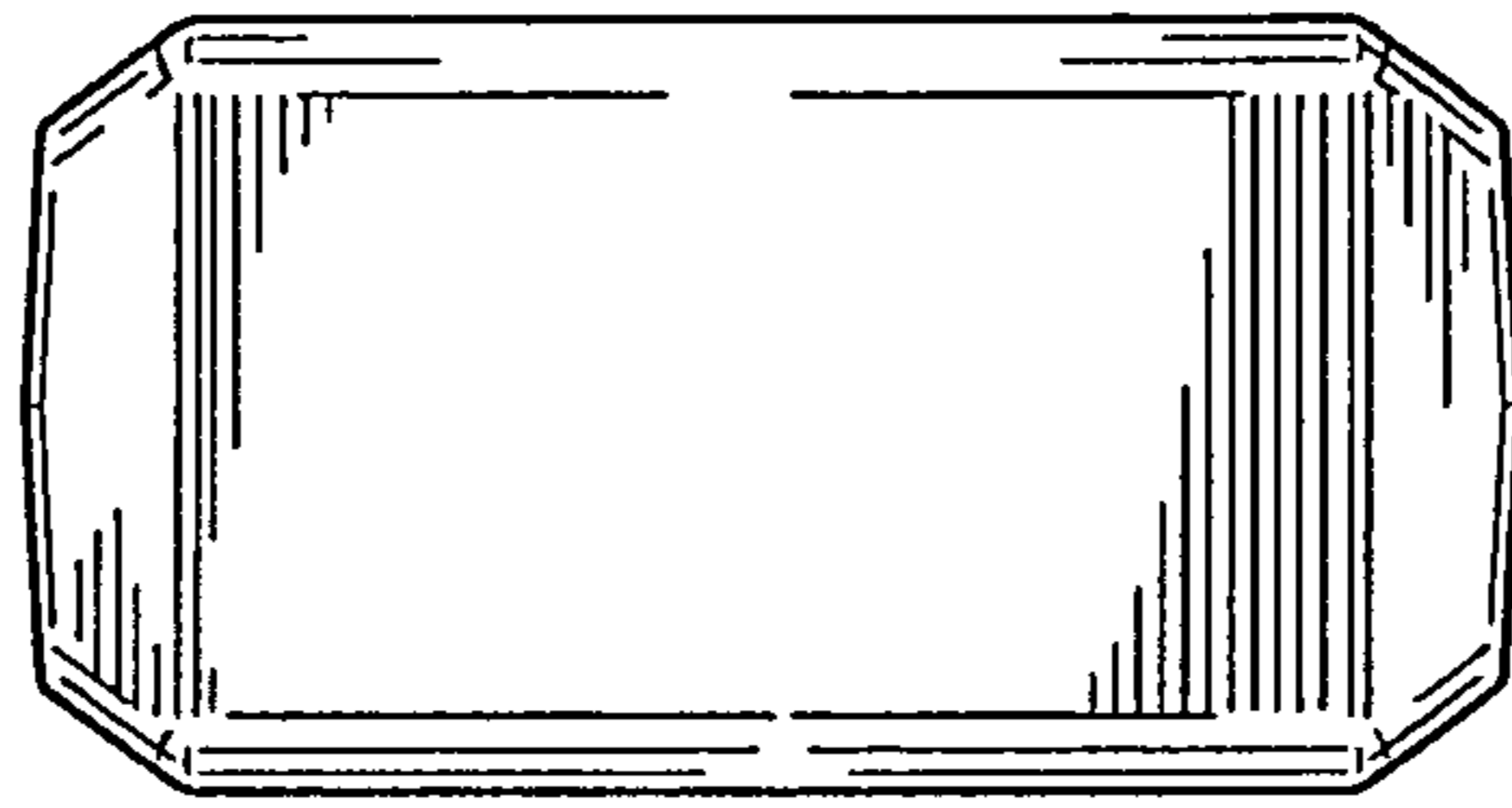


FIG. 4

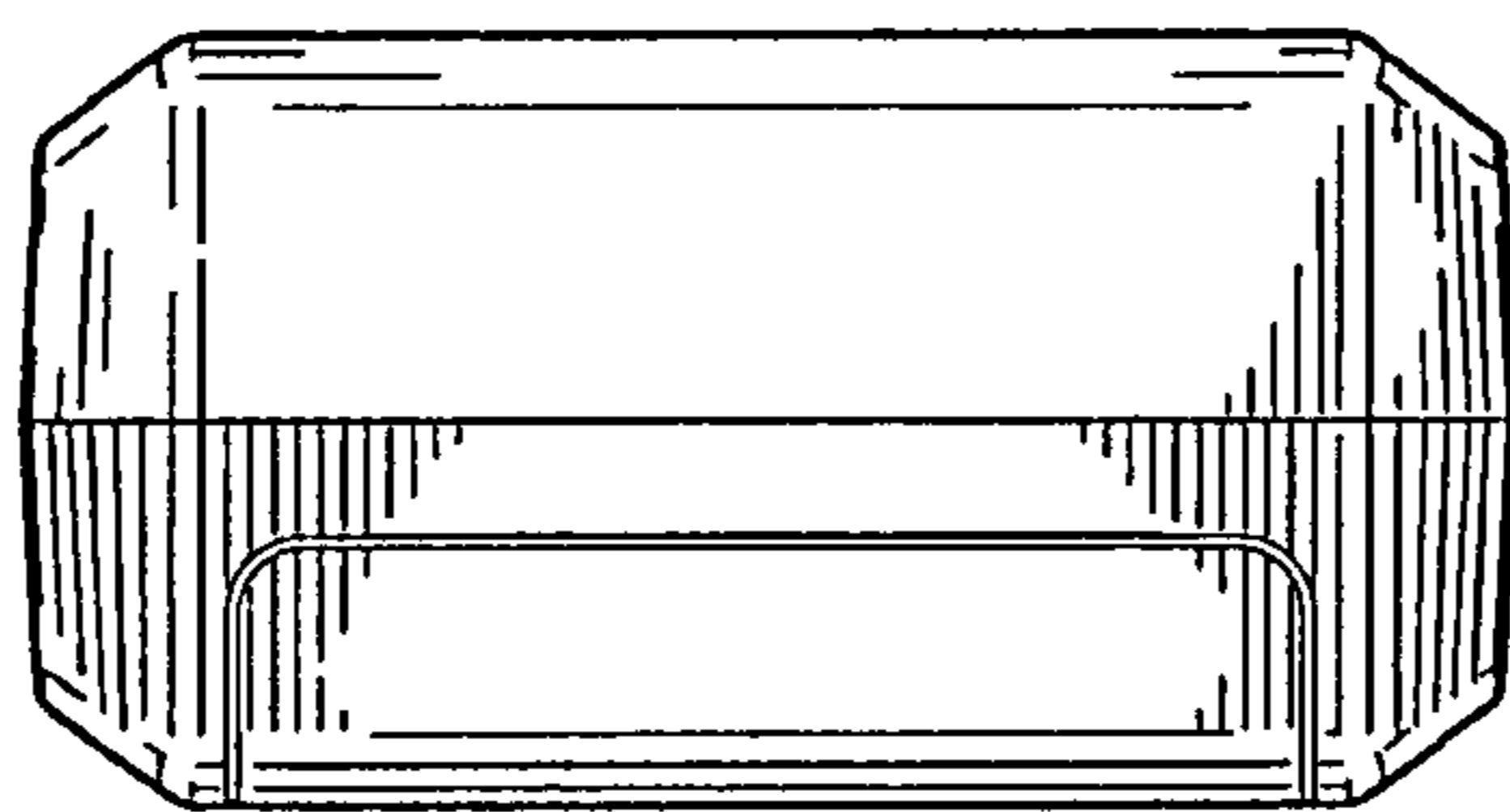


FIG. 5

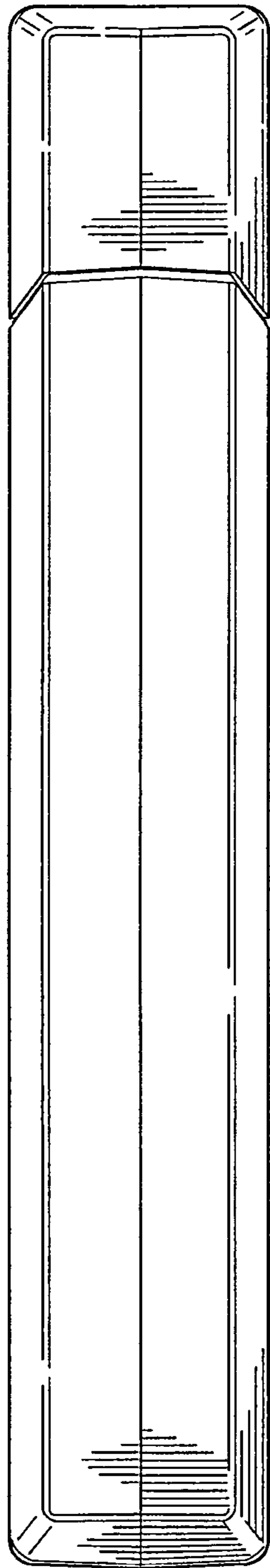


FIG. 6

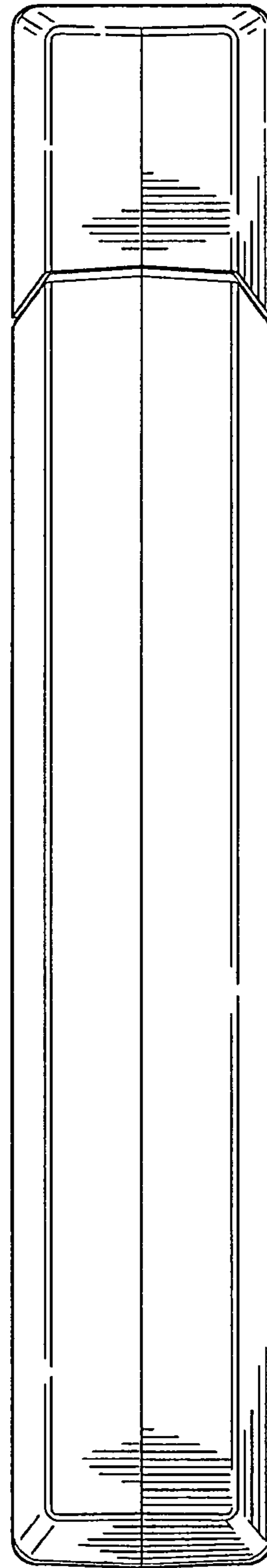


FIG. 7

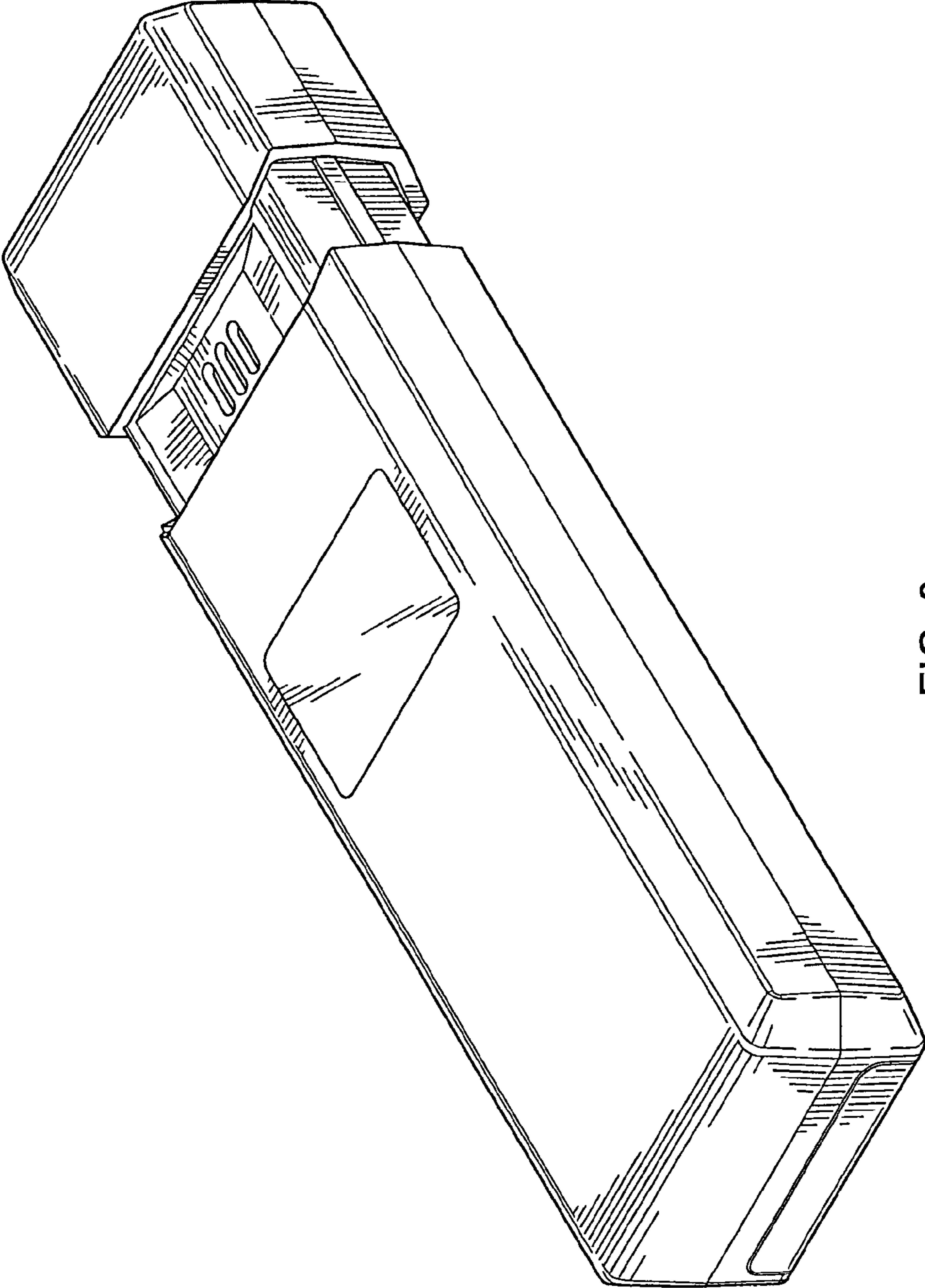


FIG. 8

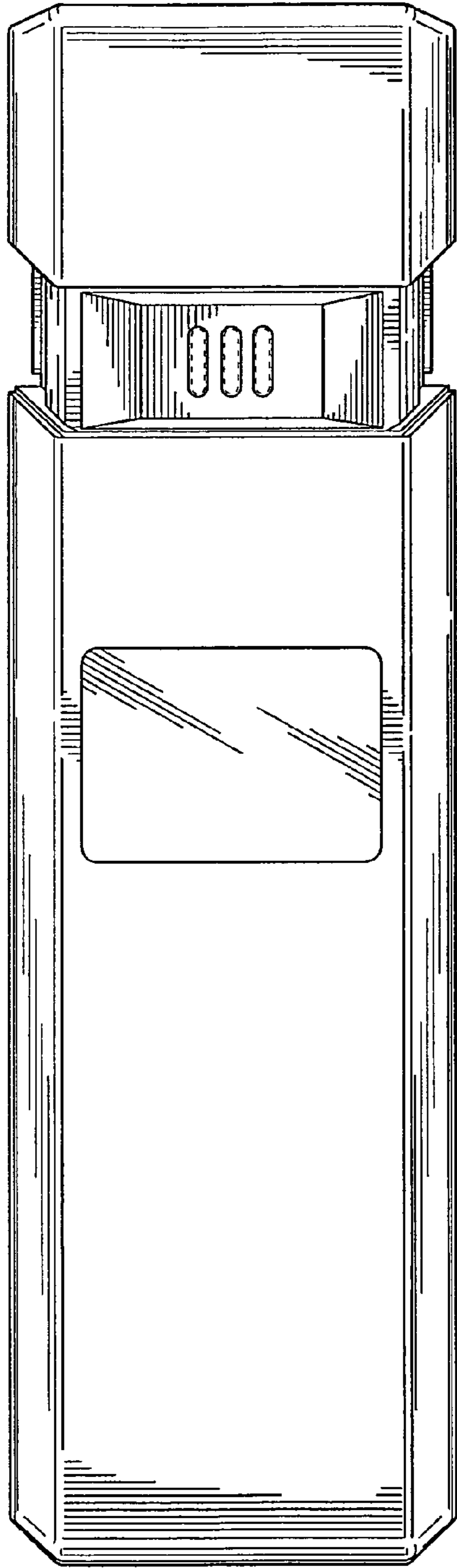


FIG. 9

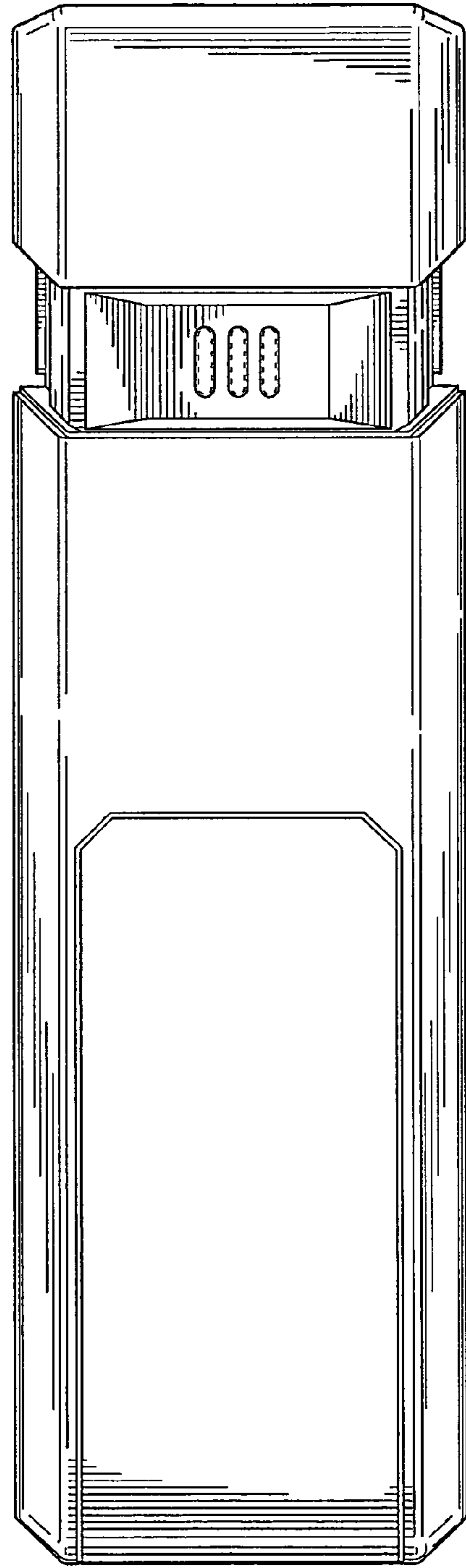


FIG. 10



FIG. 11

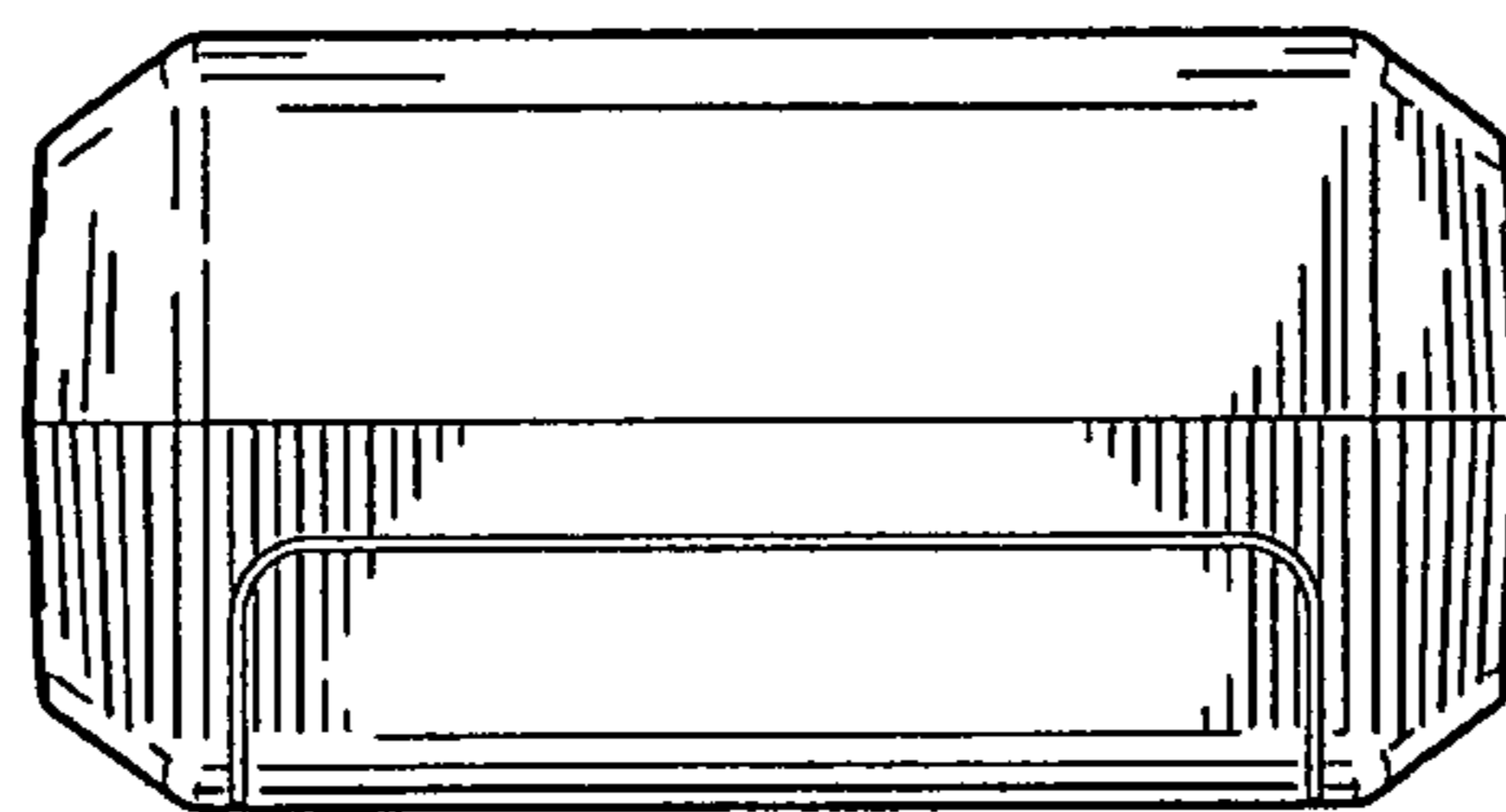


FIG. 12

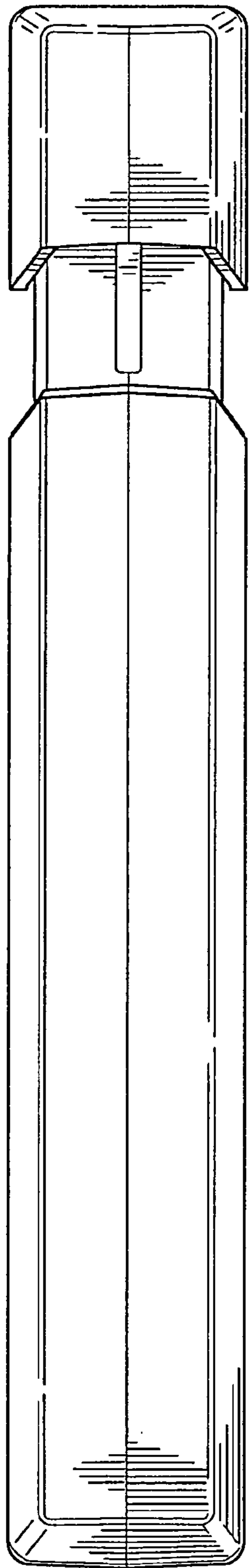


FIG. 13

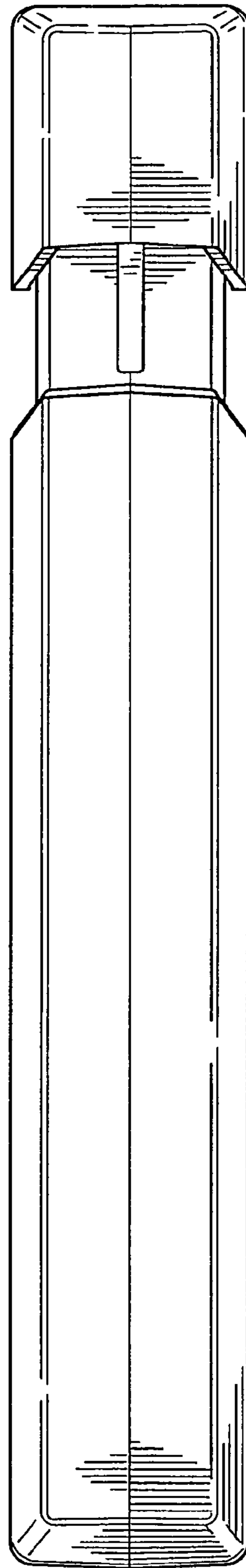


FIG. 14