



US00D731340S

(12) **United States Design Patent**
Laurino et al.

(10) **Patent No.:** **US D731,340 S**
(45) **Date of Patent:** **** Jun. 9, 2015**

(54) **ELECTRICAL SAFETY ANALYZER**

(71) Applicant: **Fluke Corporation**, Everett, WA (US)

(72) Inventors: **Ferdinand Y. Laurino**, Seattle, WA (US); **Charles E. Marzette, Jr.**, Kirkland, WA (US); **Matthew Marzynski**, Seattle, WA (US); **Michael Anthony Schoch**, Granite Falls, WA (US)

(73) Assignee: **Fluke Corporation**, Everett, WA (US)

(**) Term: **14 Years**

(21) Appl. No.: **29/480,394**

(22) Filed: **Jan. 24, 2014**

(51) **LOC (10) Cl.** **10-04**

(52) **U.S. Cl.**
USPC **D10/78**

(58) **Field of Classification Search**

USPC D10/78
CPC A61N 2001/08; A61N 2001/083;
A61M 2209/02; F04B 51/00; F04B 2205/09;
G01R 15/12; G01R 15/125; G01R 27/025;
G01R 31/1227; G01R 31/2839; G01R 31/02;
G01R 31/2836; G01R 31/2837; G01R 31/025;
G01R 31/2635; G01R 31/275

See application file for complete search history.

(56) **References Cited**

U.S. PATENT DOCUMENTS

6,515,484	B1 *	2/2003	Bald et al.	324/551
7,047,083	B2 *	5/2006	Gunderson et al.	607/116
D649,893	S *	12/2011	Beeke	D10/78
8,386,032	B2 *	2/2013	Bachinski et al.	607/2

* cited by examiner

Primary Examiner — Antoine D Davis

(74) *Attorney, Agent, or Firm* — Christensen O'Connor Johnson Kindness PLLC

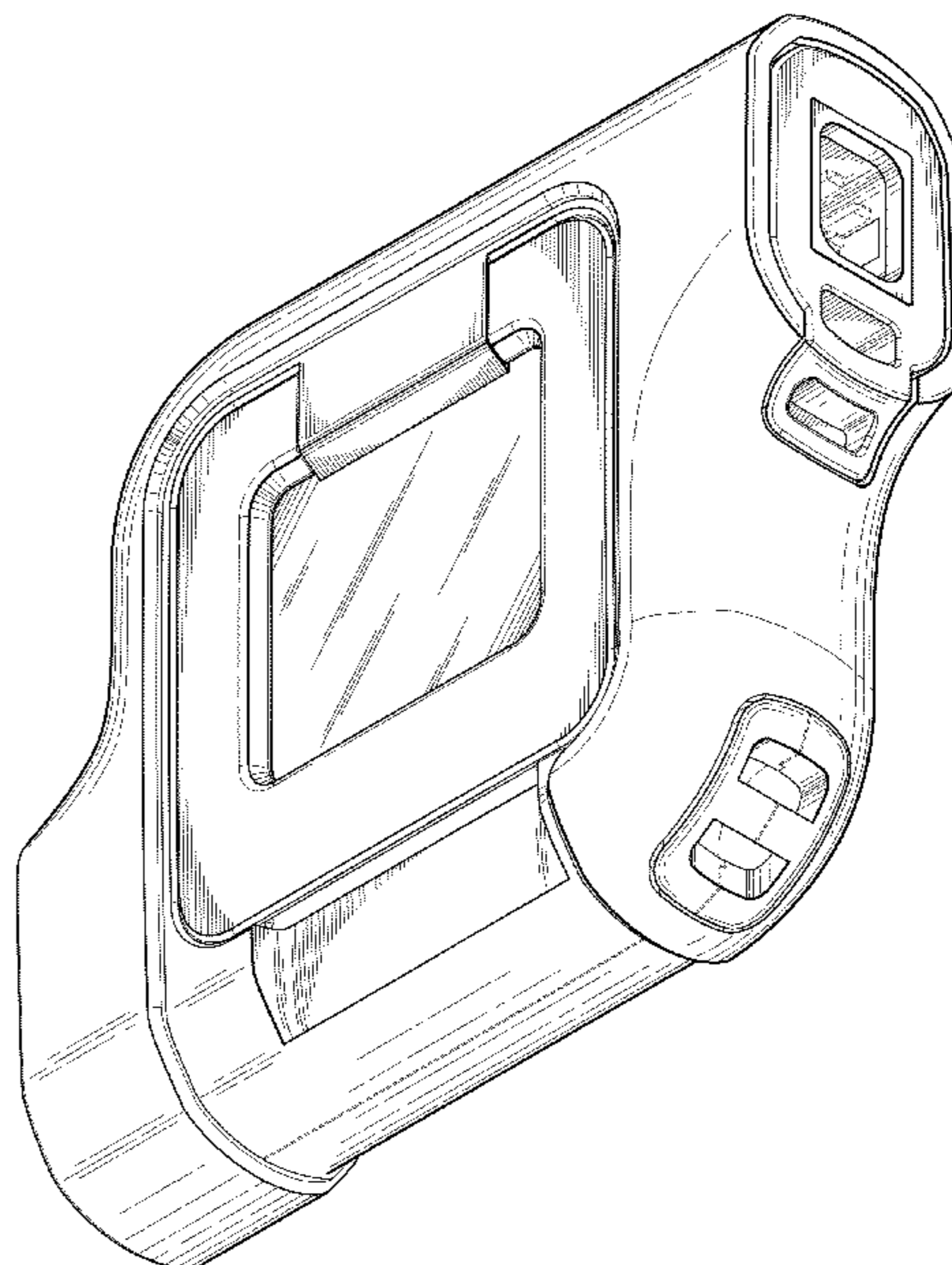
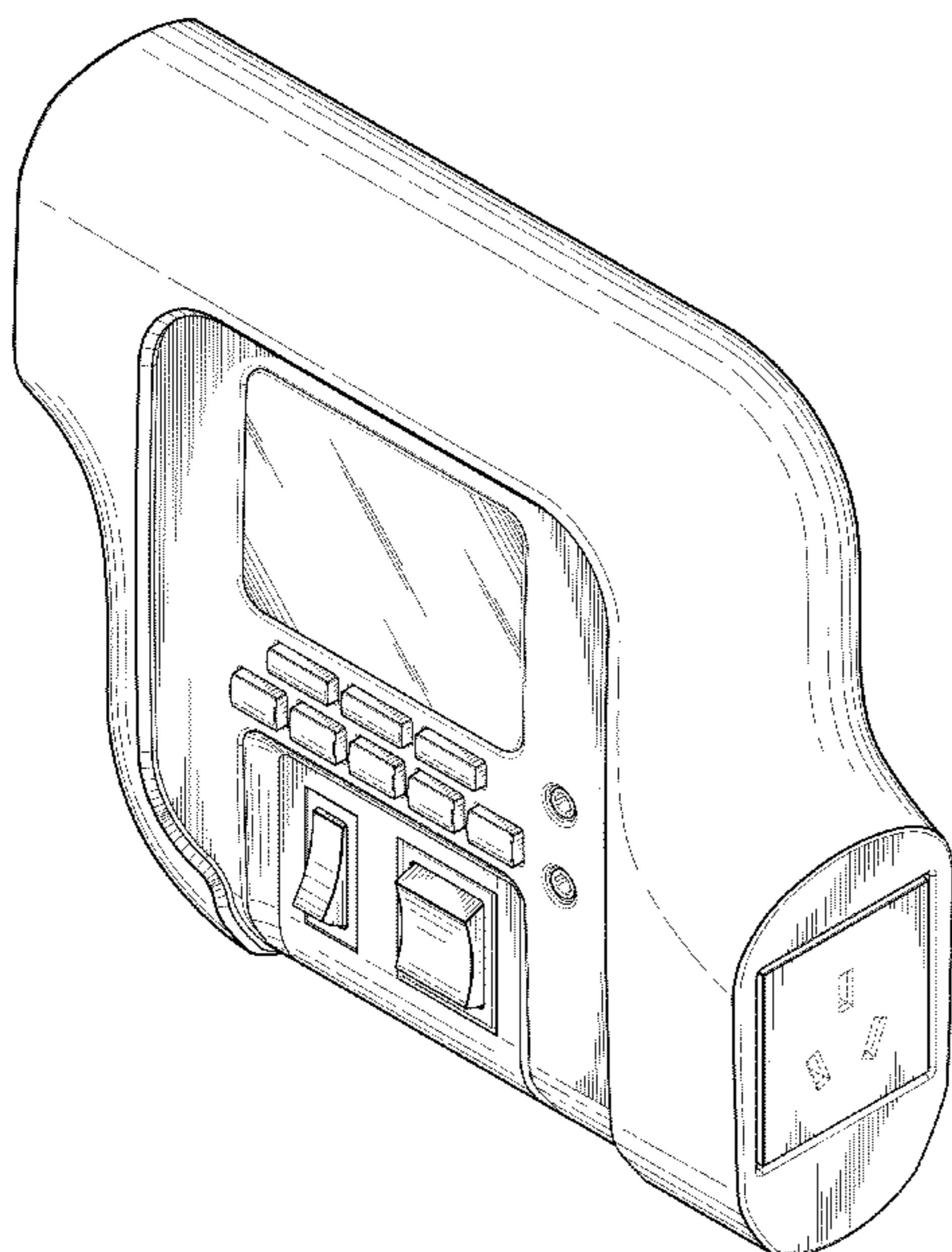
(57) **CLAIM**

The ornamental design for an electrical safety analyzer, as shown and described.

DESCRIPTION

FIG. 1 is a top front right perspective view of an electrical safety analyzer showing our new design; FIG. 2 is a bottom rear left perspective view thereof; FIG. 3 is a front elevation view thereof; FIG. 4 is a rear elevation view thereof; FIG. 5 is a top plan view thereof; FIG. 6 is a bottom plan view thereof; FIG. 7 is a left side elevation view thereof; FIG. 8 is a right side elevation view thereof; FIG. 9 is a top front right perspective view of another embodiment of an electrical safety analyzer showing our new design; FIG. 10 is a bottom rear left perspective view thereof; FIG. 11 is a front elevation view thereof; FIG. 12 is a rear elevation view thereof; FIG. 13 is a top plan view thereof; FIG. 14 is a bottom plan view thereof; FIG. 15 is a left side elevation view thereof; and, FIG. 16 is a right side elevation view thereof. The broken lines in the drawings represent environmental subject matter and form no part of the claimed design.

1 Claim, 12 Drawing Sheets



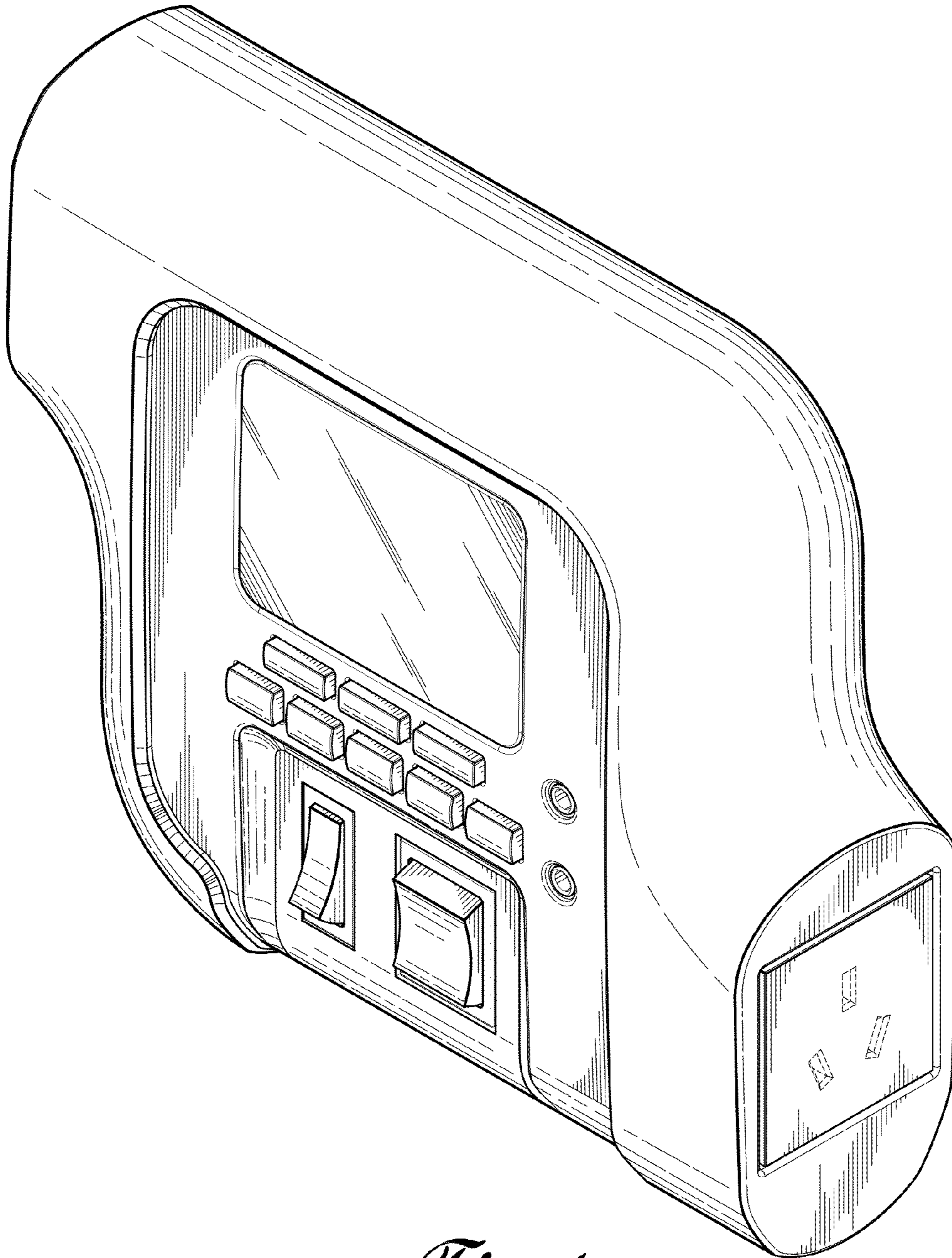


Fig. 1.

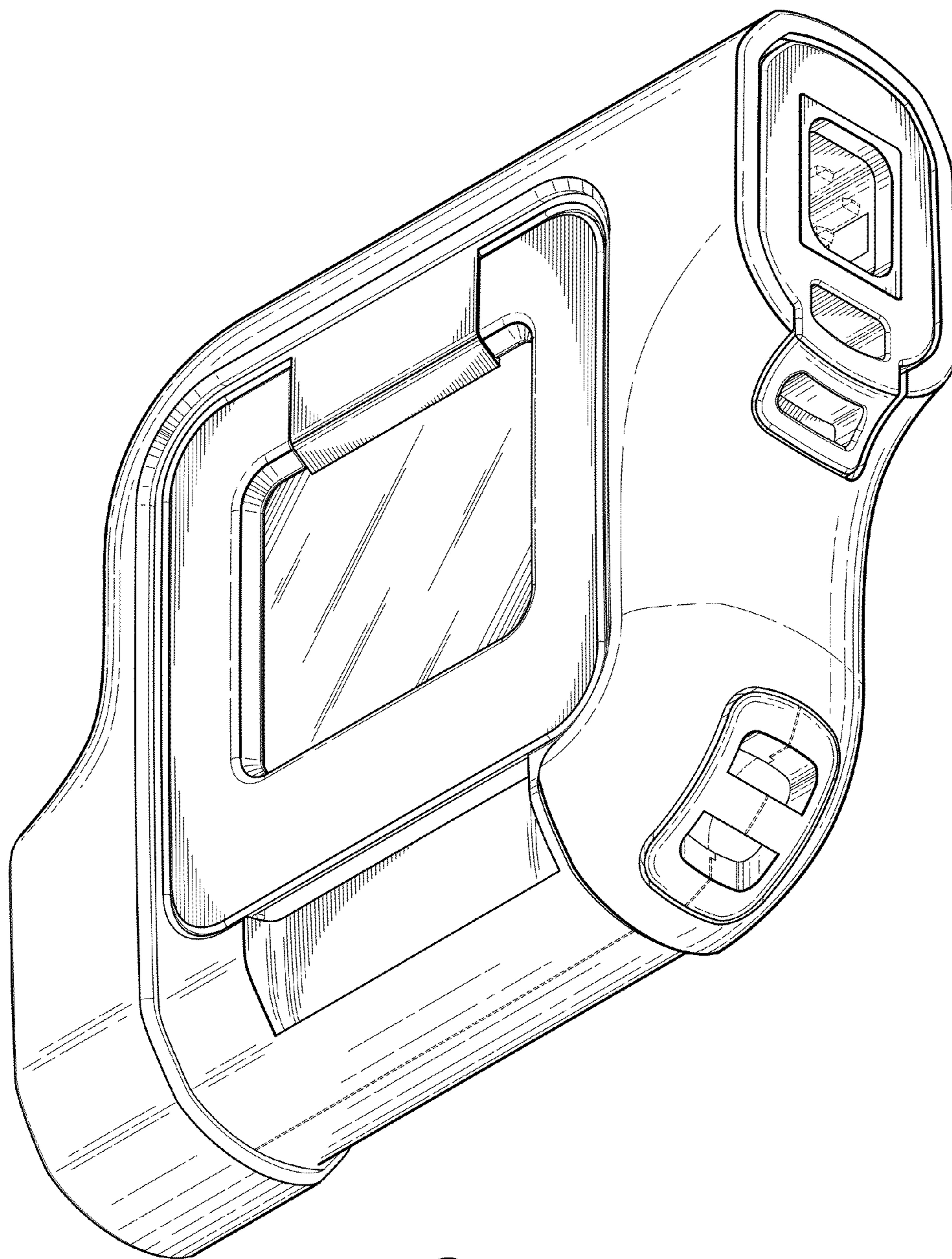


Fig. 2.

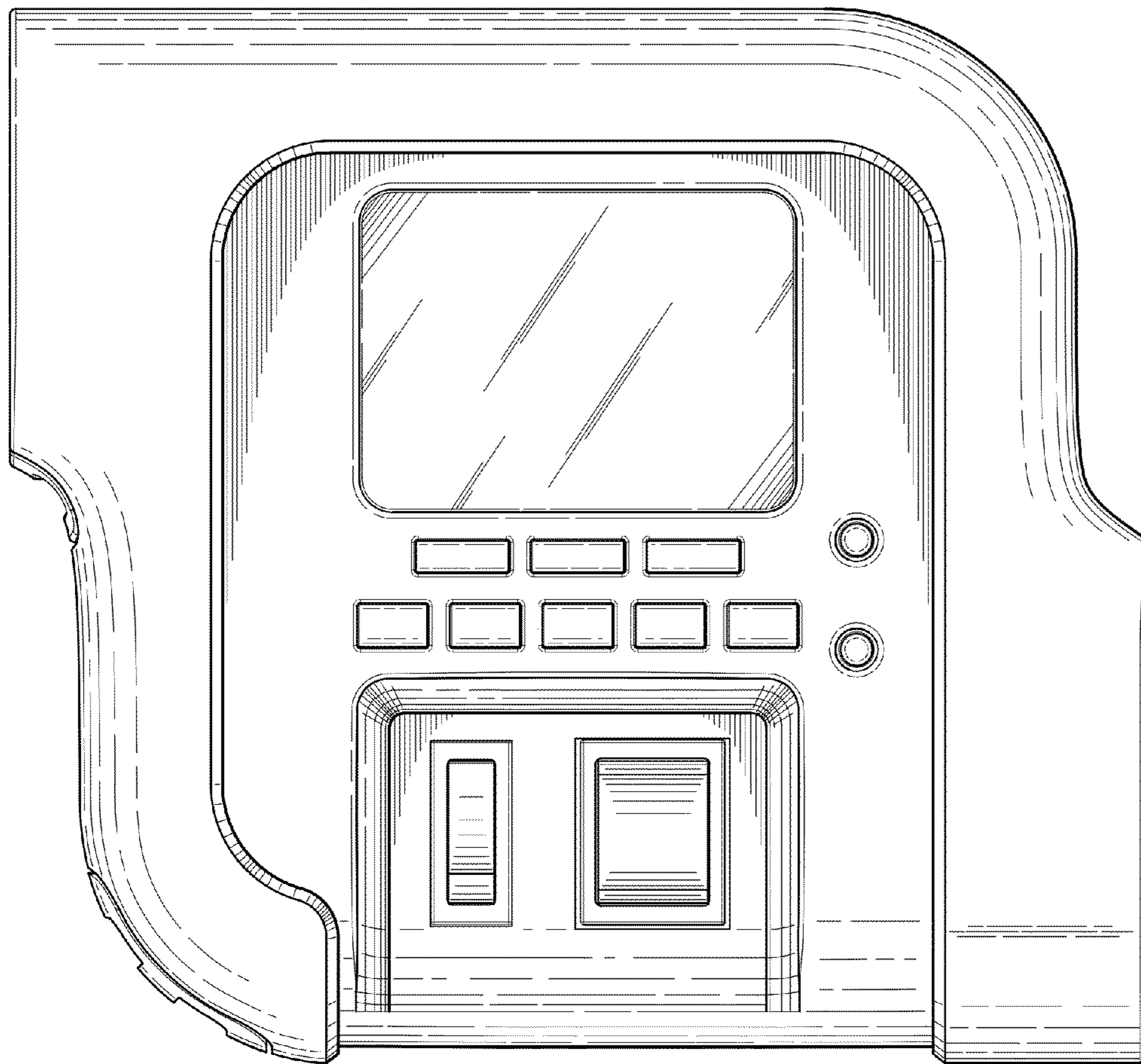


Fig. 3.

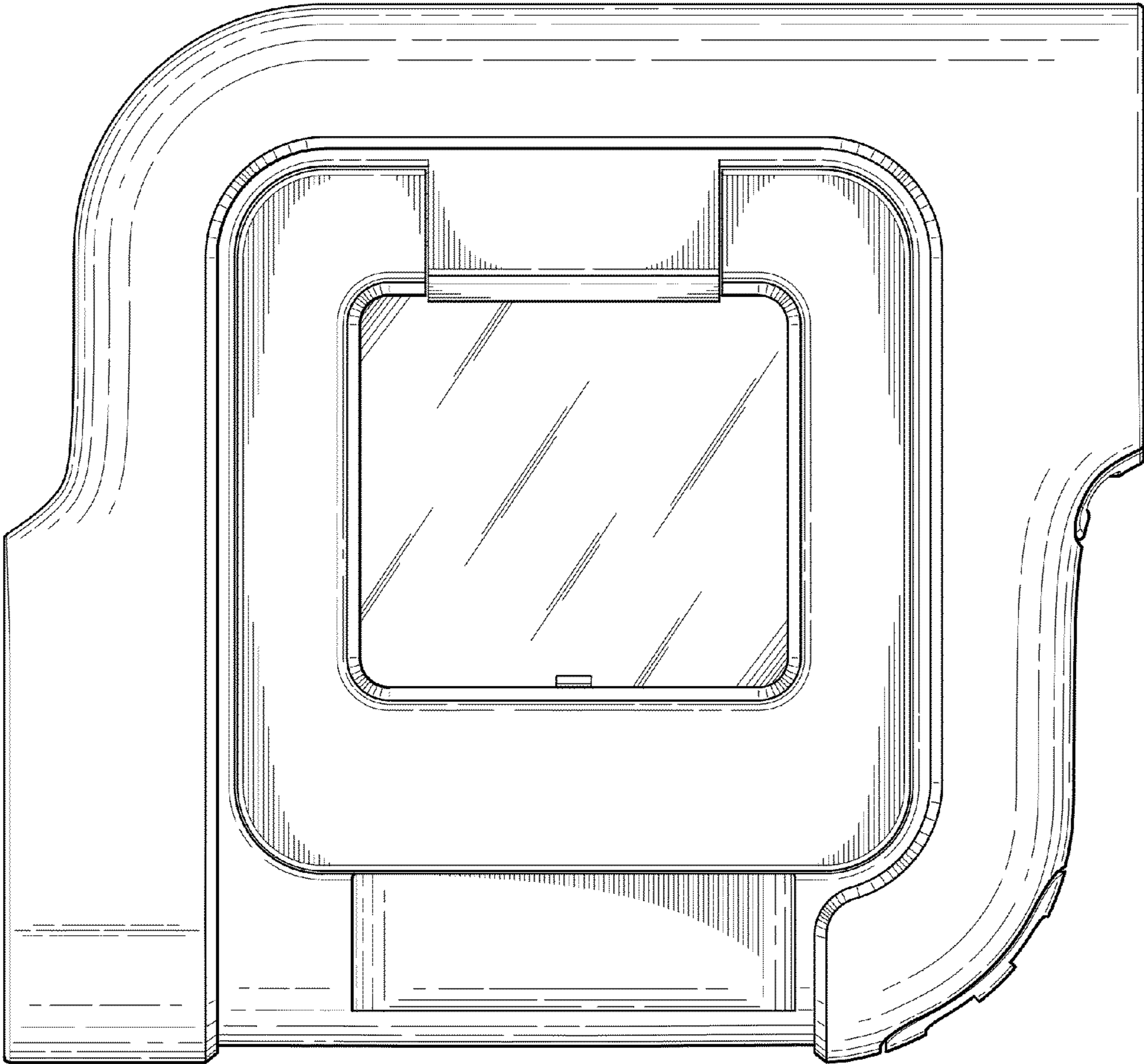


Fig. 4.

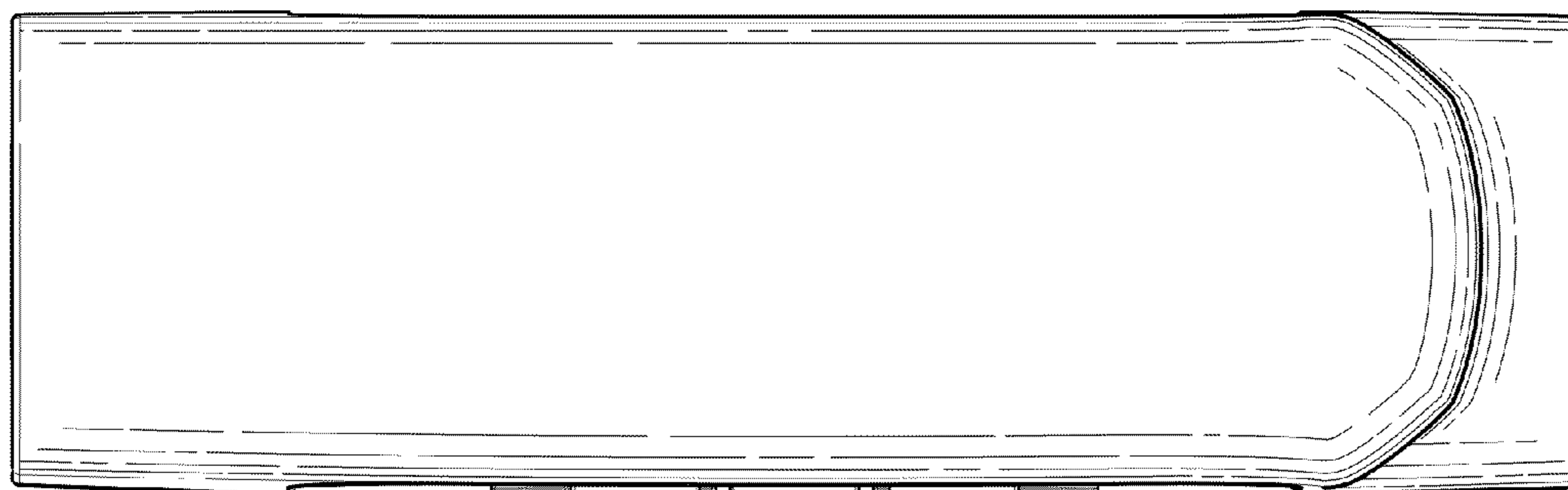


Fig. 5.

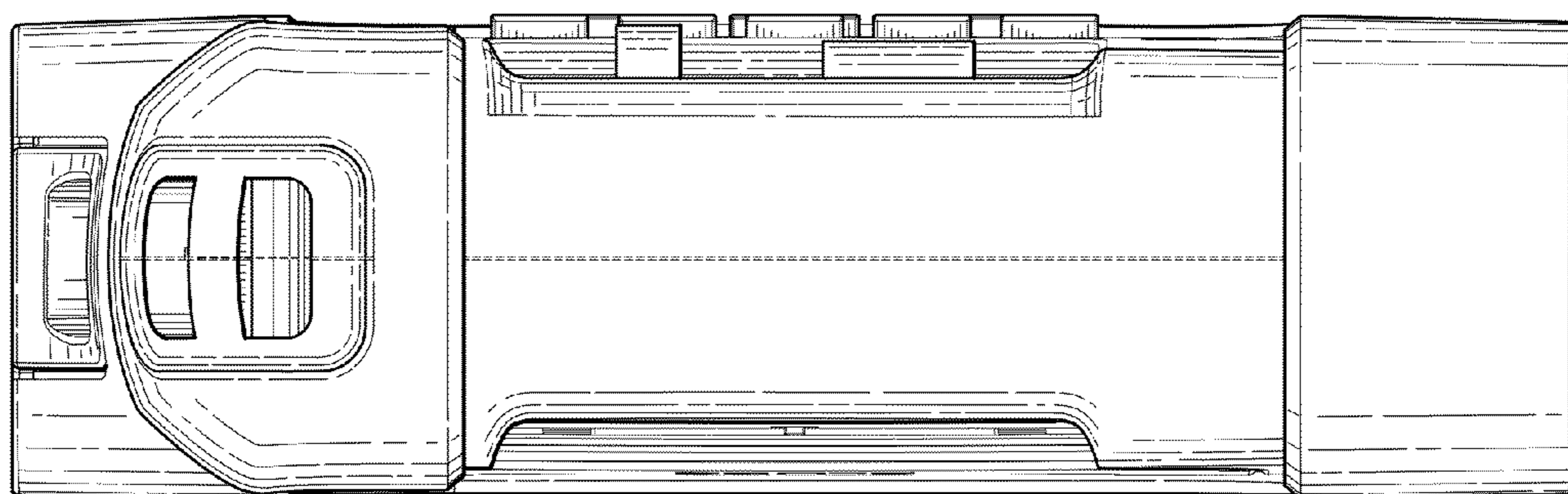


Fig. 6.

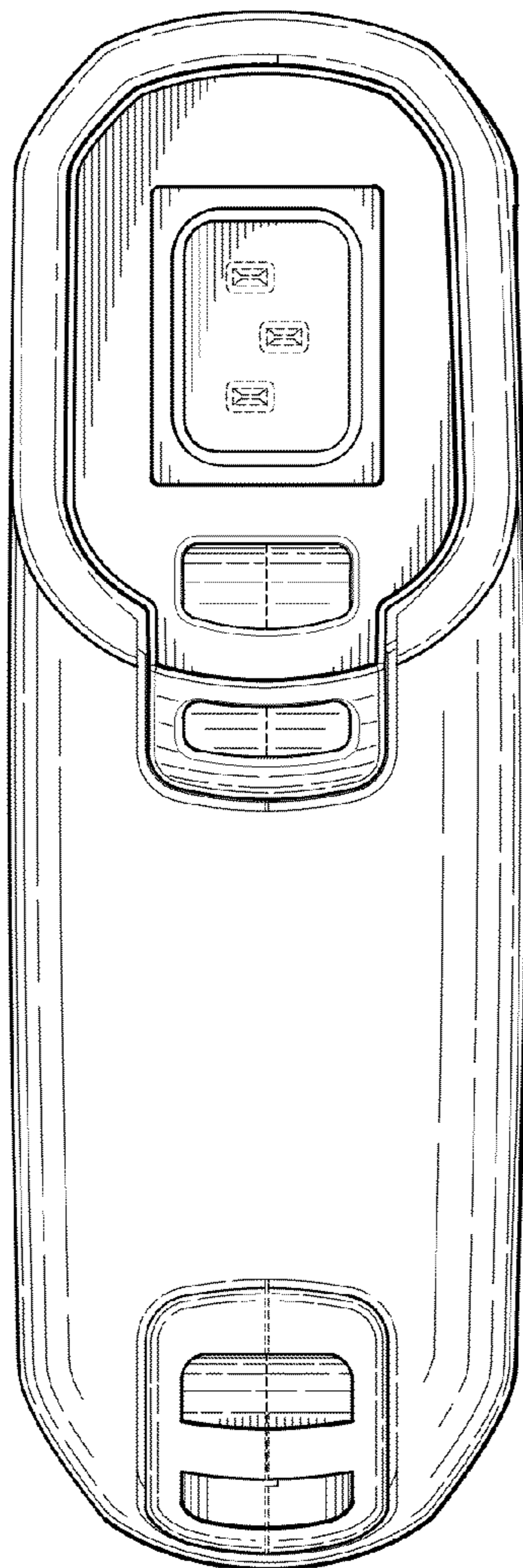


Fig. 7.

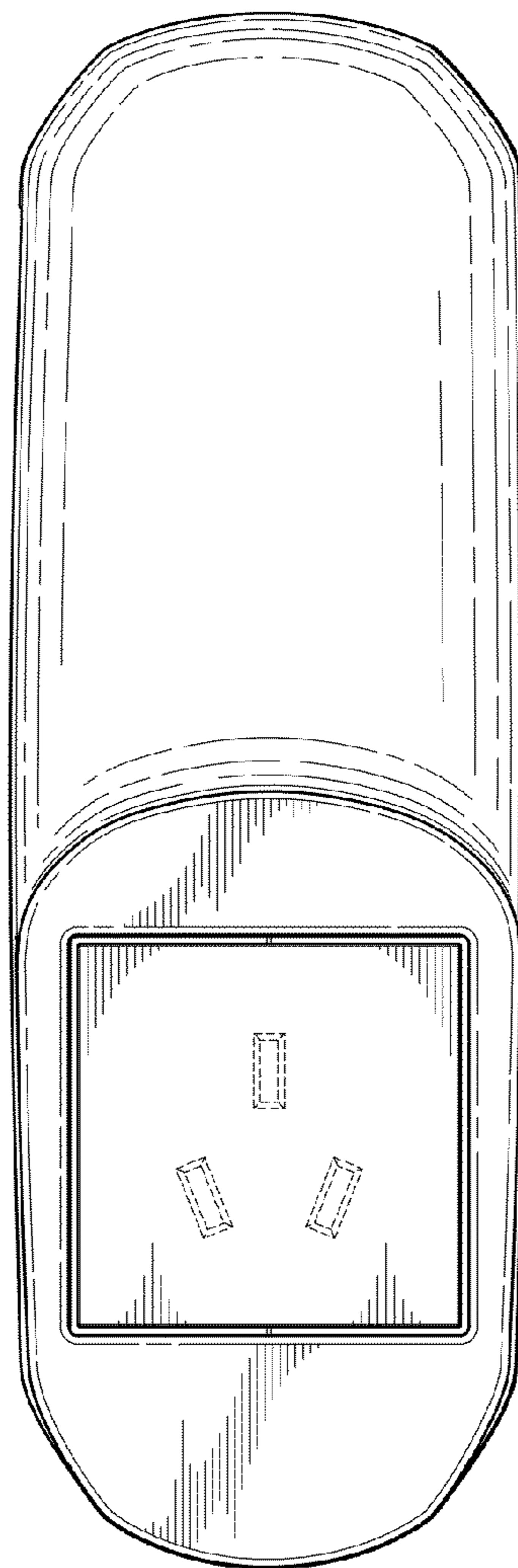


Fig. 8.

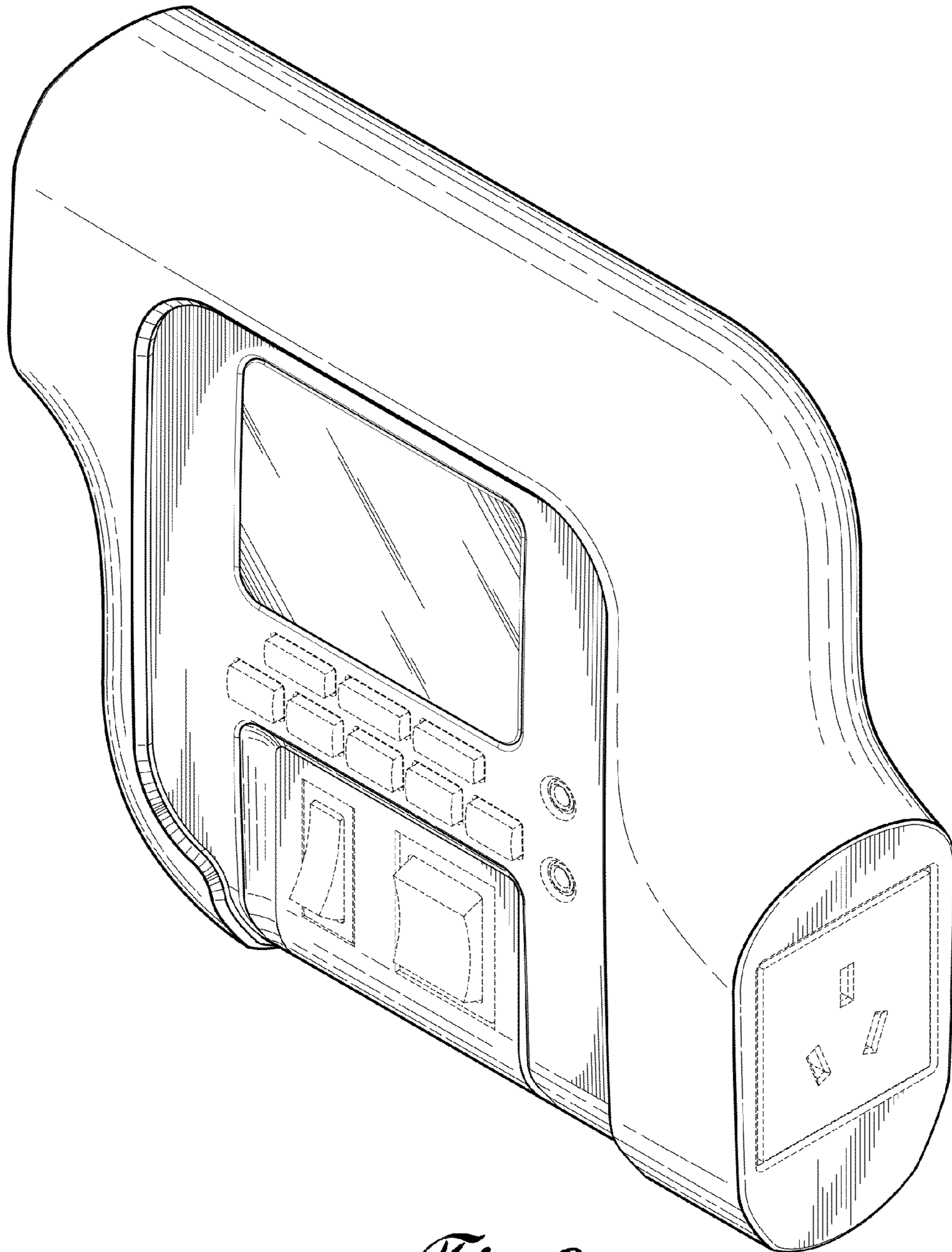


Fig. 9.

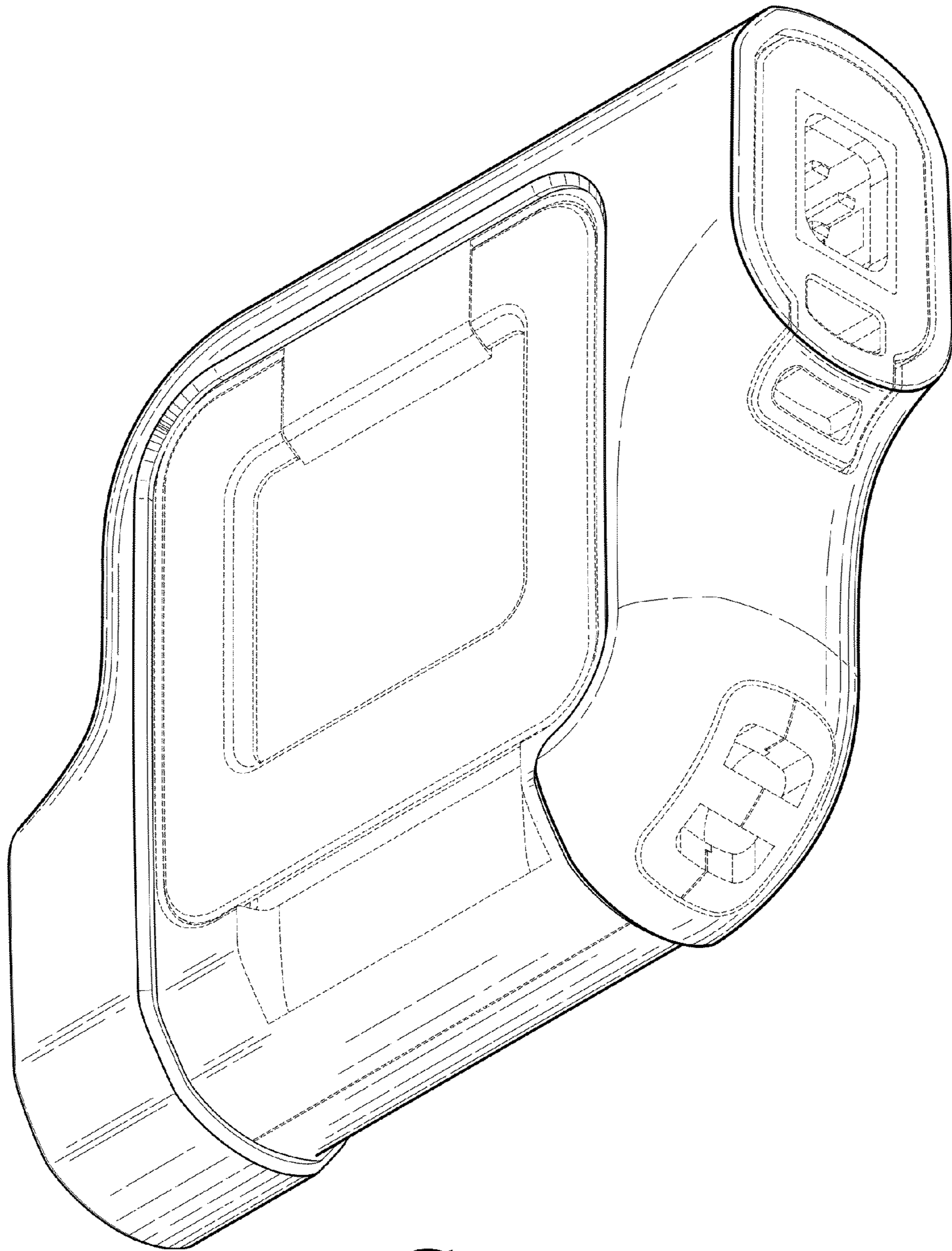


Fig. 10.

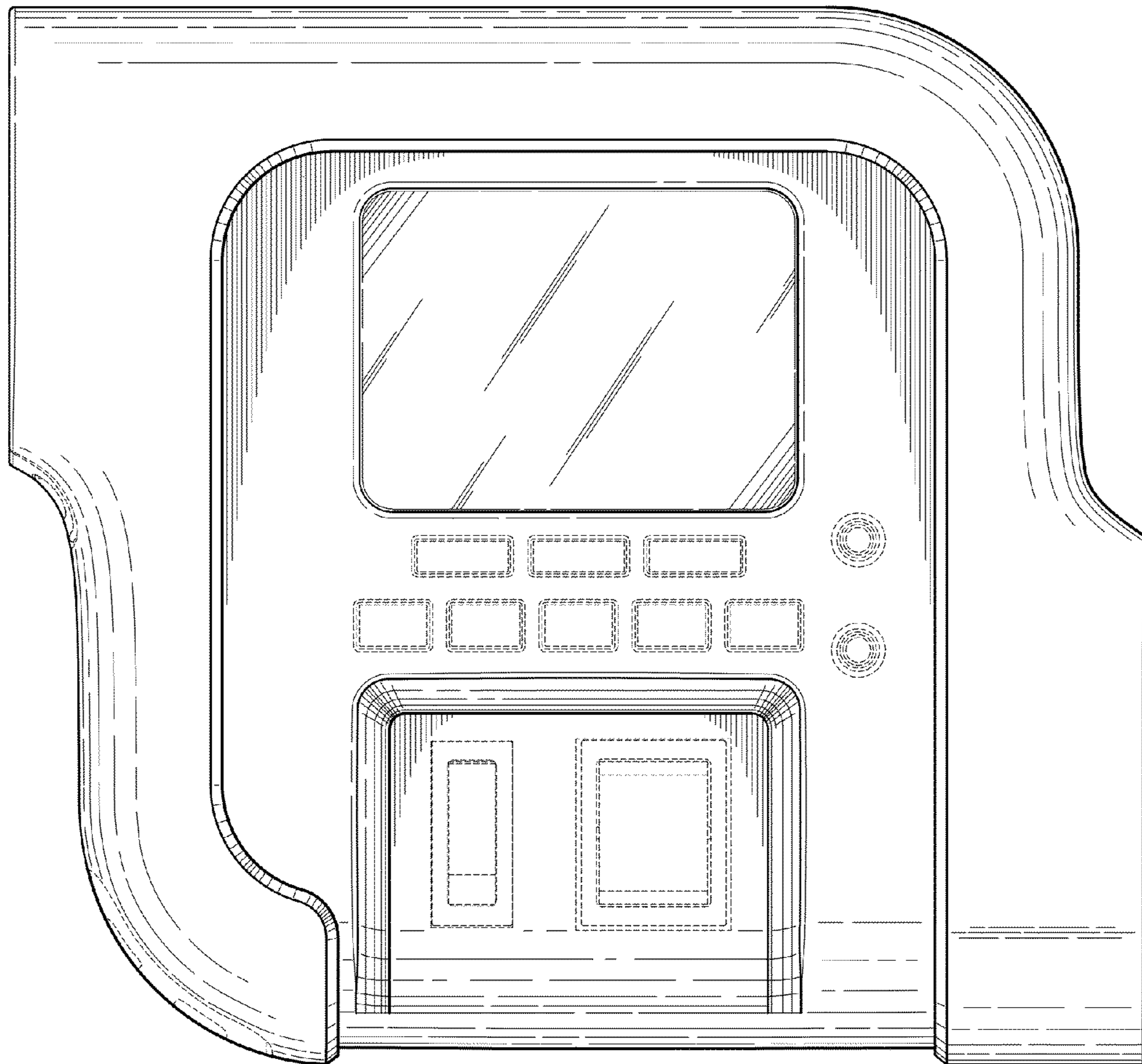


Fig. 11.

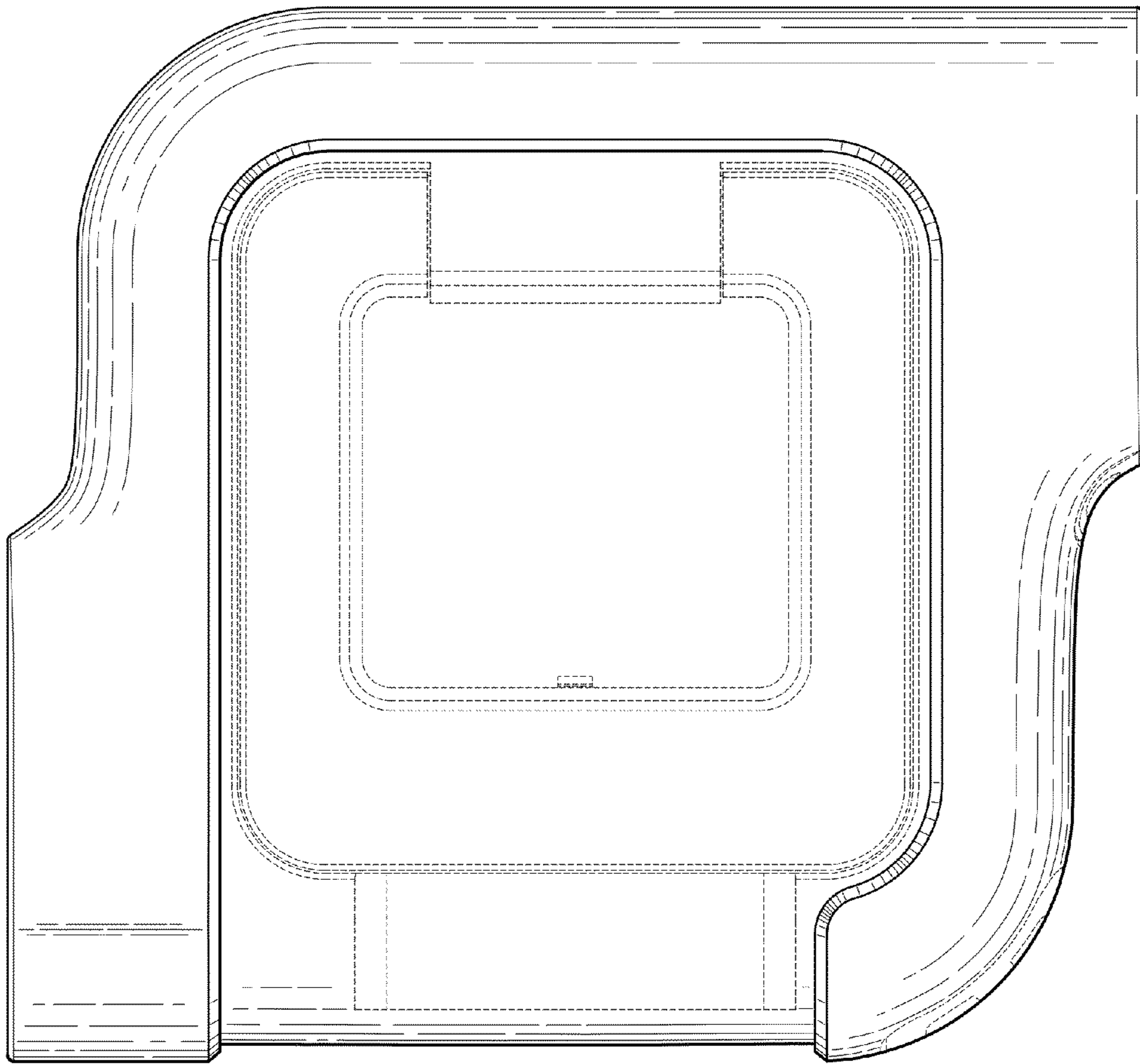


Fig. 12.

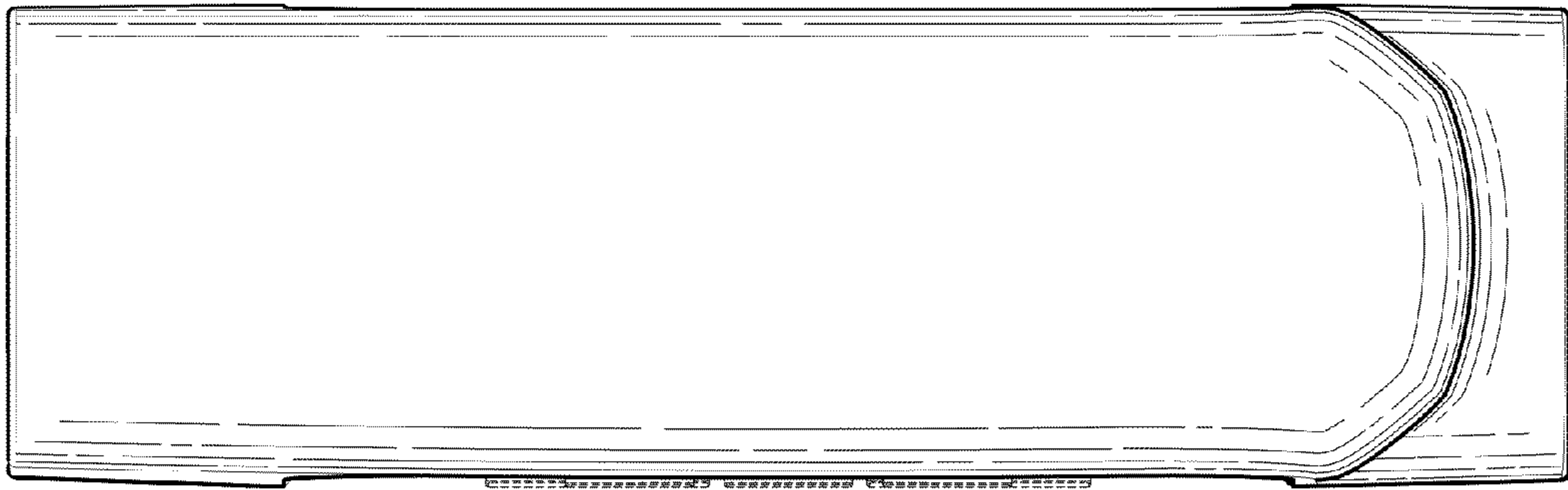


Fig. 13.

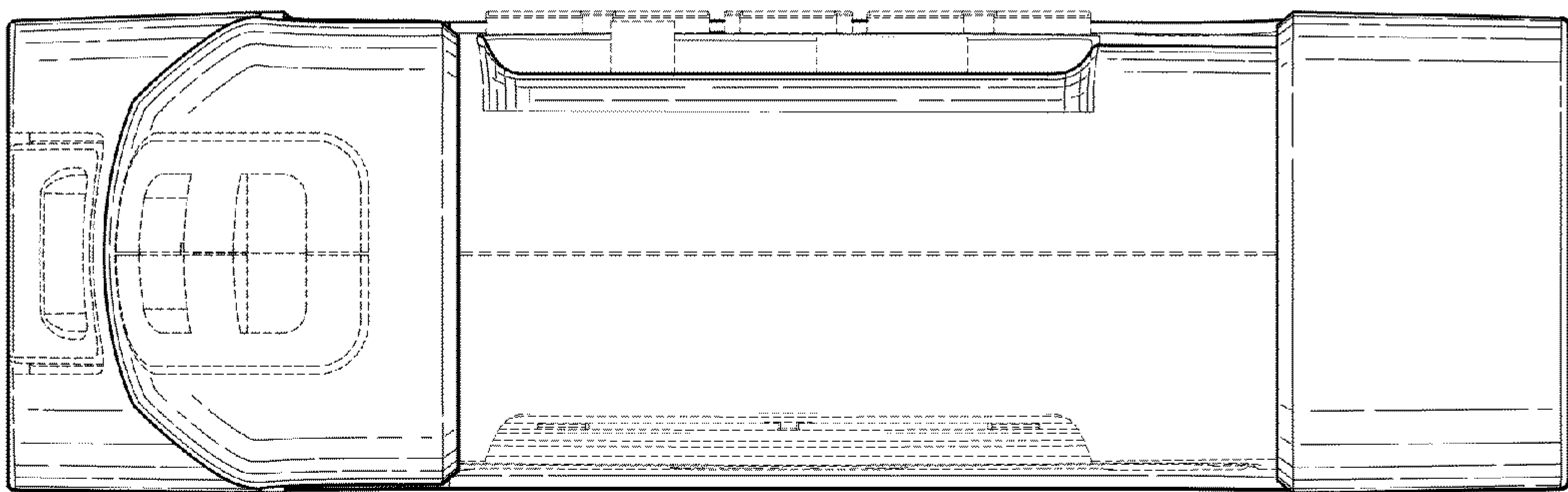


Fig. 14.

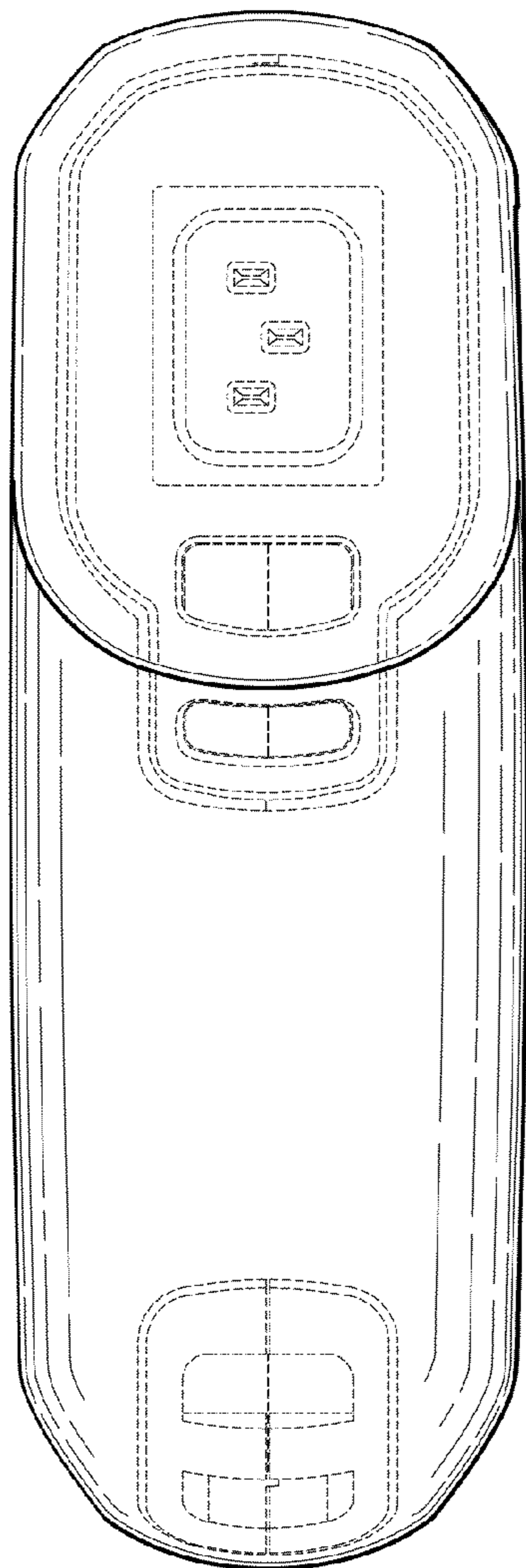


Fig. 15.

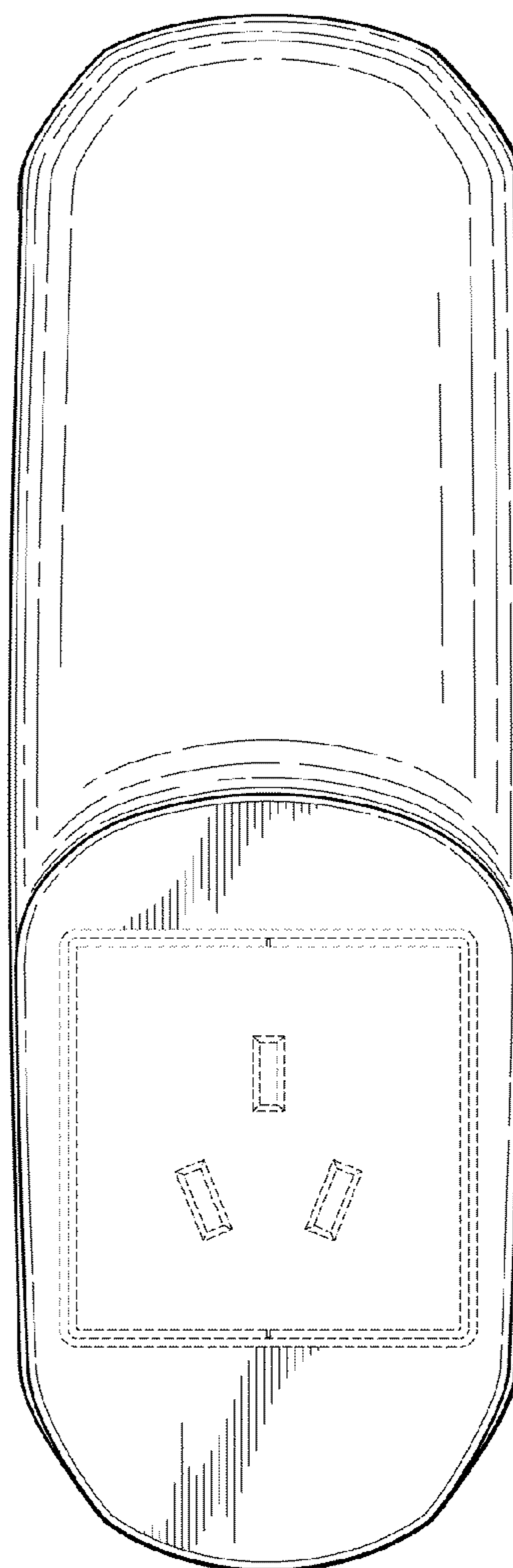


Fig. 16.