



US00D731339S

(12) **United States Design Patent**
Laurino et al.

(10) **Patent No.:** **US D731,339 S**
(45) **Date of Patent:** **** Jun. 9, 2015**

(54) **PORTABLE BEARING CHECKER**

(56) **References Cited**

(71) Applicant: **Fluke Corporation**, Everett, WA (US)

U.S. PATENT DOCUMENTS

(72) Inventors: **Ferdinand Y. Laurino**, Seattle, WA (US); **Paul A. Richer**, Everett, WA (US)

4,800,512	A *	1/1989	Busch	702/182
4,827,771	A *	5/1989	Cary et al.	73/644
6,202,491	B1 *	3/2001	McCarty et al.	73/659
6,789,030	B1 *	9/2004	Coyle et al.	702/77
6,832,521	B1 *	12/2004	Courtney et al.	73/658
7,165,015	B2 *	1/2007	Roberts	702/188
D570,235	S	6/2008	Staller	

(73) Assignee: **Fluke Corporation**, Everett, WA (US)

(**) Term: **14 Years**

* cited by examiner

(21) Appl. No.: **29/480,344**

Primary Examiner — Antoine D Davis

(22) Filed: **Jan. 24, 2014**

(74) *Attorney, Agent, or Firm* — Christensen O'Connor Johnson Kindness PLLC

Related U.S. Application Data

(62) Division of application No. 29/455,097, filed on May 16, 2013, now Pat. No. Des. 701,130, which is a division of application No. 29/404,562, filed on Oct. 21, 2011, now Pat. No. Des. 684,876.

(57) **CLAIM**

The ornamental design for a portable bearing checker, as shown and described.

(51) **LOC (10) Cl.** **10-04**

DESCRIPTION

(52) **U.S. Cl.**

USPC **D10/78**

(58) **Field of Classification Search**

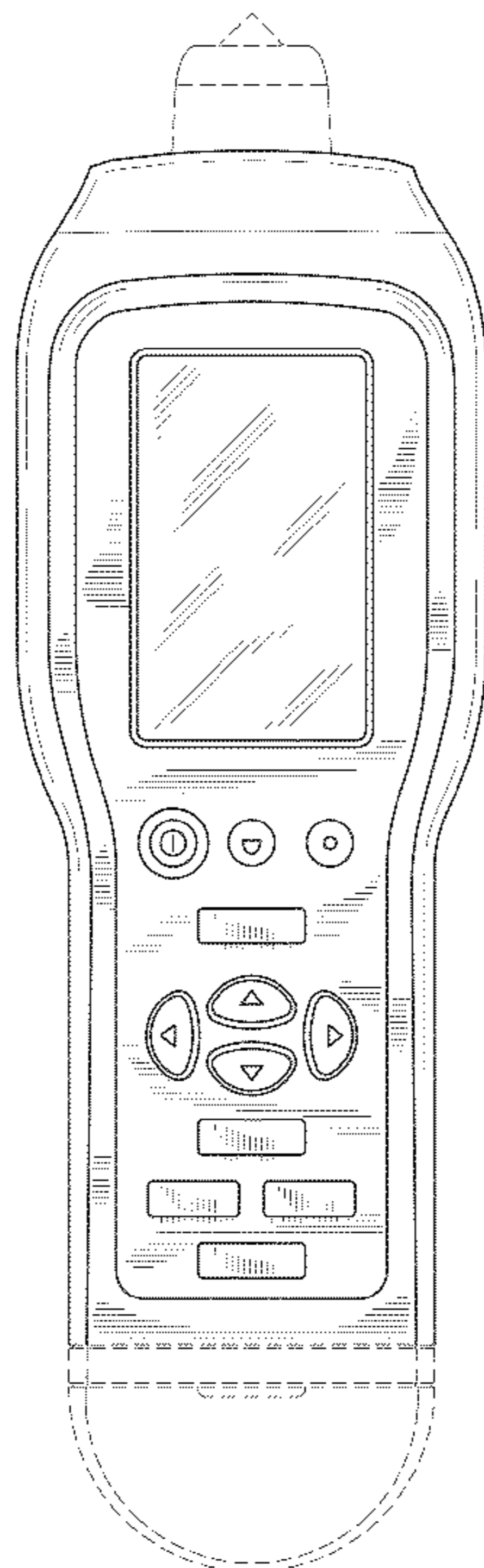
USPC D10/78; 73/660, 658, 659, 661, 593, 73/646, 647, 651; 340/683, 635, 687; 324/72.5, 556, 133, 149, 503, 543, 324/555, 66, 72, 754, 115, 141

CPC F16C 19/00; F16C 19/527; F16C 19/52; F16C 41/008; G01H 1/003; G01H 1/00; G01M 13/04; G01M 13/045; G01M 13/028; G01N 2291/2696; G01D 9/005; G10K 11/18

See application file for complete search history.

FIG. 1 is a front elevation view of a portable bearing checker showing our new design;
FIG. 2 is a rear elevation view thereof;
FIG. 3 is a right side elevation view thereof, with the left side elevation view being a minor image of the right side elevation view; and,
FIG. 4 is a top plan view thereof.
The broken line showing of structural features is included for the purpose of illustrating non-claimed subject matter and forms no part of the claimed design.

1 Claim, 2 Drawing Sheets



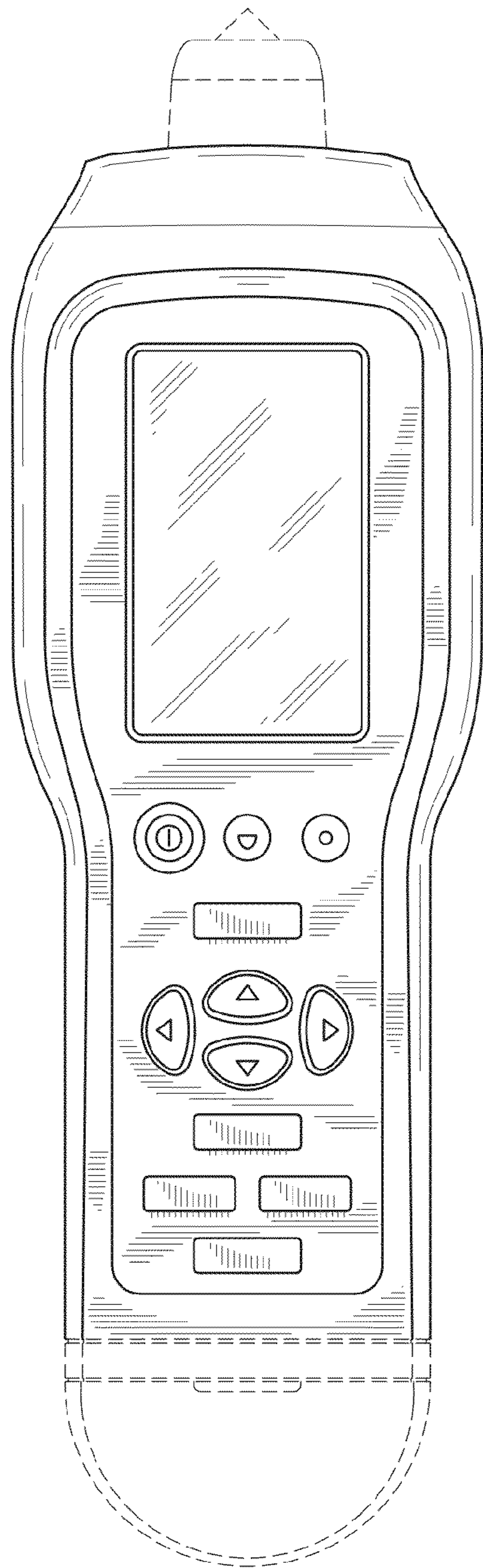


FIG. 1

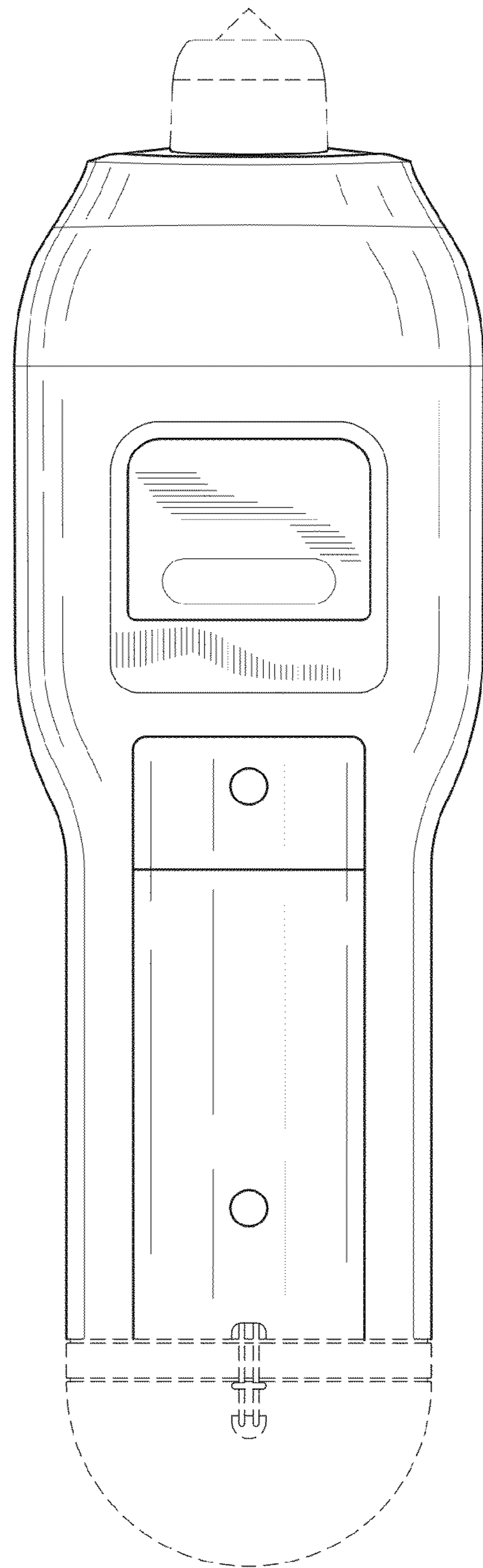


FIG. 2

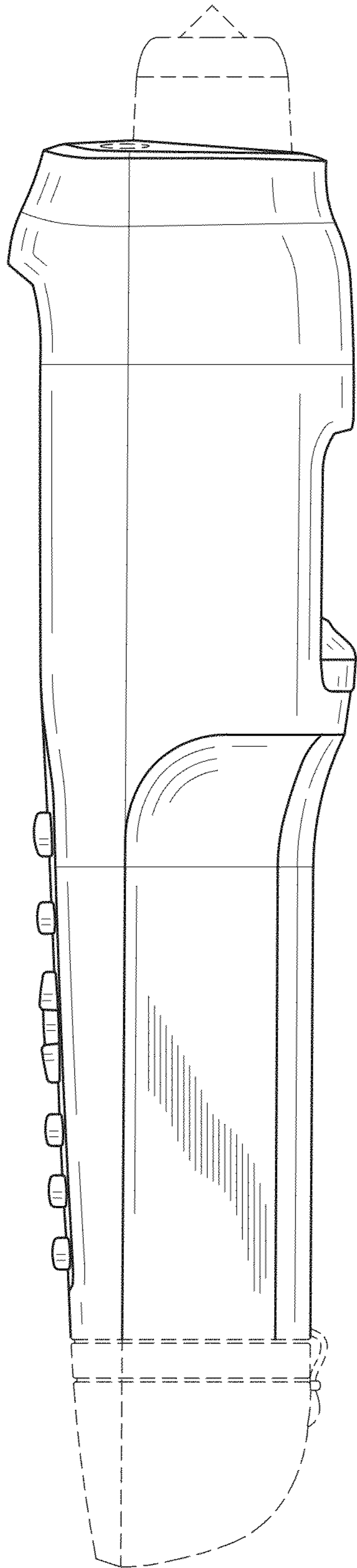


FIG. 3

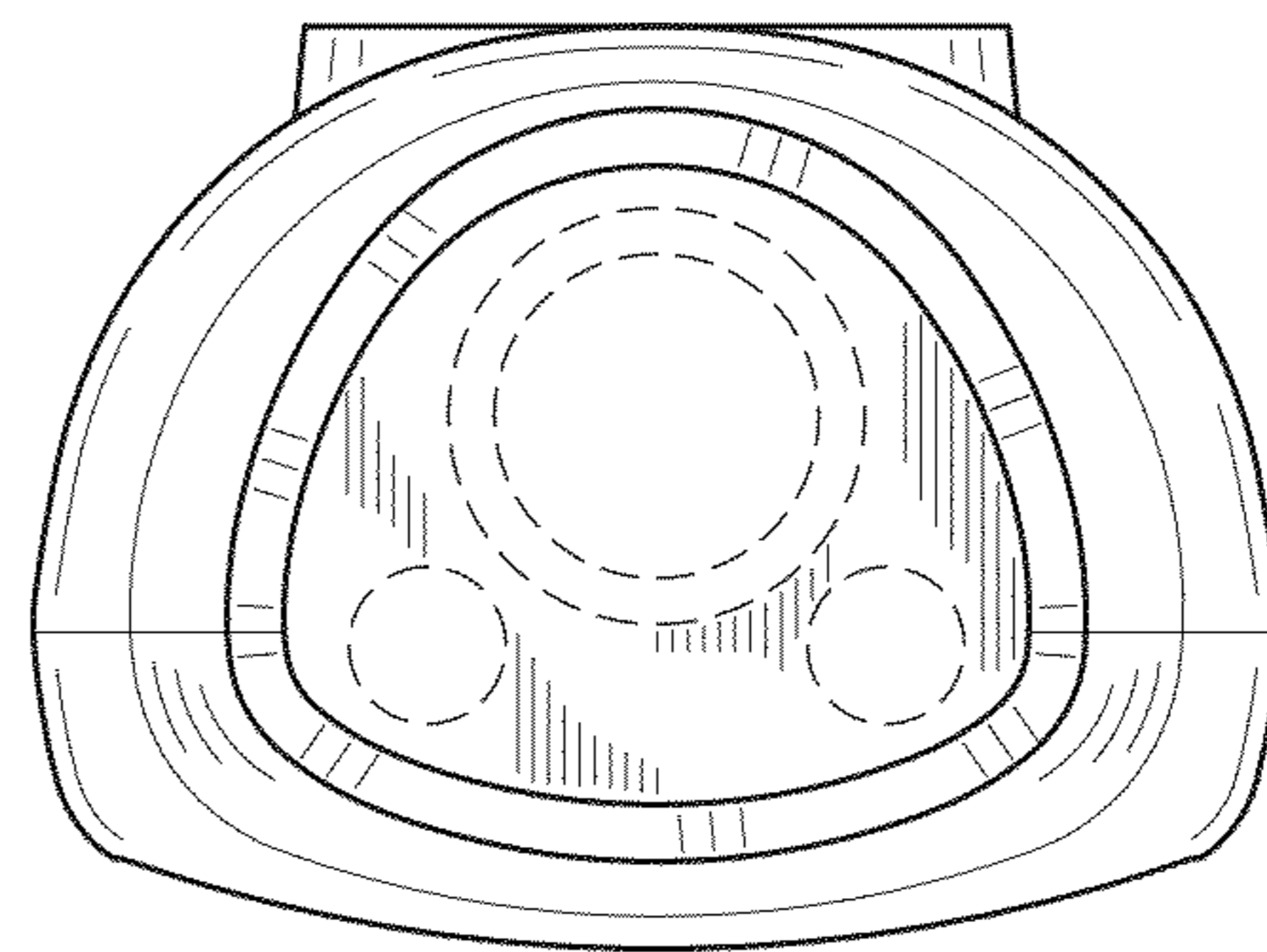


FIG. 4