



US00D731334S

(12) **United States Design Patent**  
**Fiedler et al.**

(10) **Patent No.:** **US D731,334 S**  
(45) **Date of Patent:** **\*\* Jun. 9, 2015**

(54) **FLOOD SENSOR**

(71) Applicant: **Fibar Group sp. z o.o.**, Poznan (PL)

(72) Inventors: **Maciej Fiedler**, Poznan (PL); **Lukasz Gdyk**, Dabrowka (PL); **Jakub Hermanski**, Wagrowiec (PL)

(73) Assignee: **Fibar Group sp. z o.o.** (PL)

(\*\*) Term: **14 Years**

(21) Appl. No.: **29/464,698**

(22) Filed: **Aug. 20, 2013**

(51) **LOC (10) Cl.** ..... **10-04**

(52) **U.S. Cl.**  
USPC ..... **D10/70**

(58) **Field of Classification Search**  
USPC ..... D10/65, 70, 101; 200/61.04, DIG. 40, 200/41; 343/702; 345/87, 104, 133, 156, 345/168, 173, 901-905, 165; 348/180, 184, 348/315, 739, 836, 838, 325; 364/444, 499; 701/408-418, 431, 432, 537; 312/7.2; 341/12; 720/605, 669, 600, 655; 369/99, 197; 455/344, 347, 575.1; 250/221, 338.3, 340, 239, 342, 341, 250/DIG. 1, 353; 307/116, 117; 340/521, 340/527, 541, 567, 540, 568.2, 539.23, 635, 340/687, 585, 590, 519, 539.26, 539.28, 340/601, 2, 604, 612, 615, 66, 618-621; 315/159; 324/72.5, 556, 133, 149, 503, 324/543, 555, 66, 72, 754, 115, 141, 522; 73/170.21, 290 R-290 V; 356/3.01-5.15; 235/105; 377/5, 24.2, 377/26; 702/155, 160, 176, 78, 79, 82, 702/91-95, 104, 116, 141, 150, 151, 154, 702/127, 131, 182, 183, 189  
CPC .... A63B 24/00; A63B 2220/14; A63B 71/06; A63B 26/00; A63B 24/0075; A63B 2071/0663; Y10S 482/909; Y10S 482/901; A41D 1/002; A44C 5/0015; A44C 5/102; A44C 5/14; A44C 5/02; A61B 19/44; A61B 2019/446

See application file for complete search history.

(56) **References Cited**

U.S. PATENT DOCUMENTS

D360,153 S \* 7/1995 Chacchia ..... D10/101  
D402,909 S 12/1998 Stanuch

(Continued)

FOREIGN PATENT DOCUMENTS

CA 70745 6/1992  
CA 74034 3/1994

(Continued)

OTHER PUBLICATIONS

Fibaro Flood Sensor URL: <http://www.fibaro.com/en/the-fibaro-system/flood-sensor>.

(Continued)

*Primary Examiner* — Antoine D Davis

(74) *Attorney, Agent, or Firm* — McAndrews, Held & Malloy, Ltd.

(57) **CLAIM**

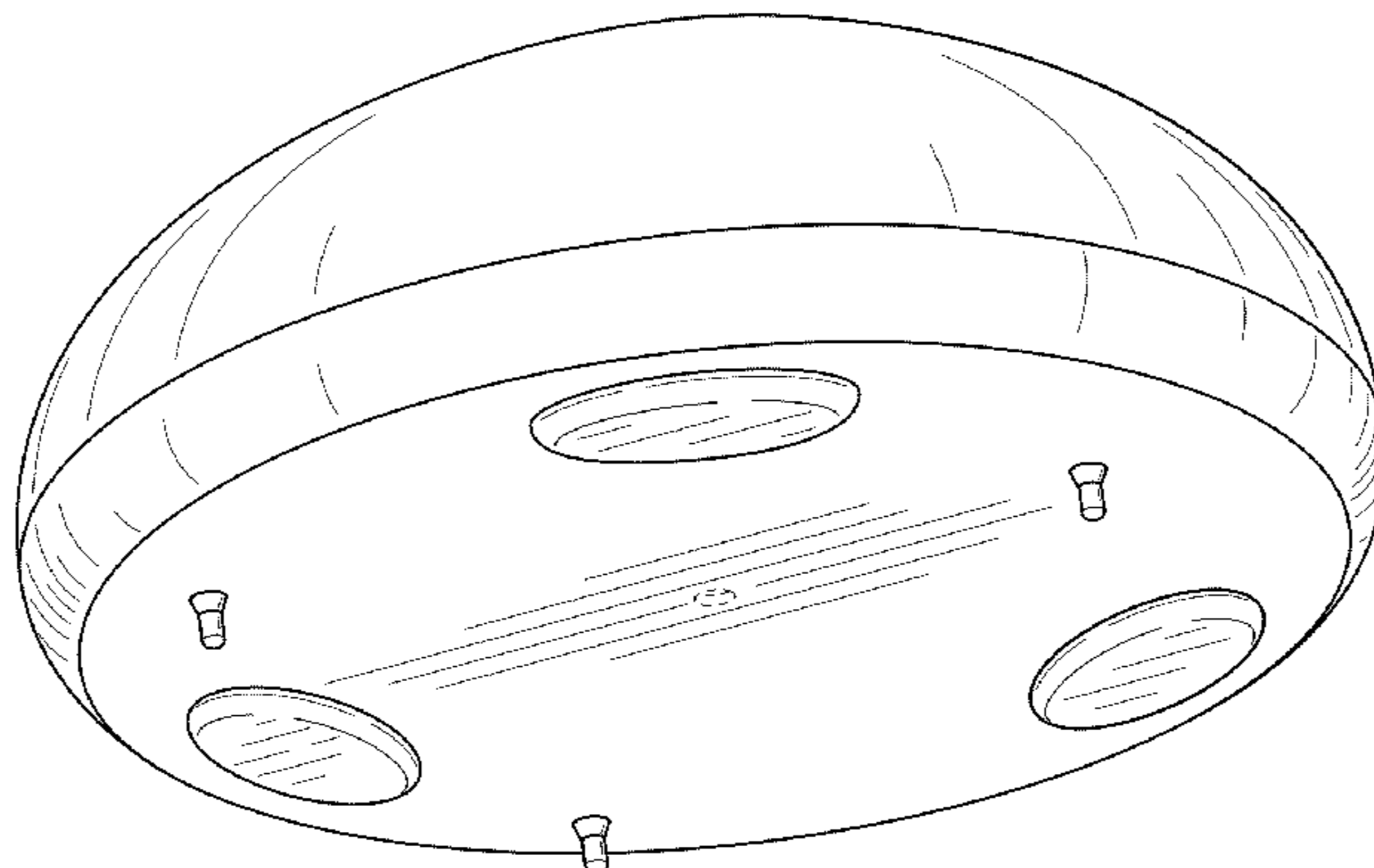
The ornamental design for a flood sensor, as shown and described.

**DESCRIPTION**

FIG. 1 is a bottom front perspective view of an embodiment of a flood sensor showing our new design; FIG. 2 is a back view thereof; FIG. 3 is a front view thereof; FIG. 4 is a right side view thereof; FIG. 5 is a left side view thereof; FIG. 6 is a top view thereof; FIG. 7 is a bottom view thereof; FIG. 8 is a bottom front perspective view of another embodiment of a flood sensor showing our new design; FIG. 9 is a back view thereof; FIG. 10 is a front view thereof; FIG. 11 is a right side view thereof; FIG. 12 is a left side view thereof; FIG. 13 is a top view thereof; and, FIG. 14 is a bottom view thereof.

The broken lines in the drawings of the flood sensor or the parts and/or portions thereof are for environmental purposes only and form no part of the claimed design. The shade lines in the drawings show contour and not surface ornamentation.

**1 Claim, 10 Drawing Sheets**



(56)

**References Cited**

U.S. PATENT DOCUMENTS

D407,658 S *	4/1999	Miller .....	D10/101
D476,586 S *	7/2003	Nash .....	D10/101
D521,403 S	5/2006	Shain et al.	
D588,484 S	3/2009	Bandringa et al.	
D610,479 S	2/2010	Shi	
D621,287 S	8/2010	Kaneko et al.	
D664,460 S	7/2012	Aurongzeb et al.	
D665,290 S	8/2012	Bhate et al.	
D671,851 S	12/2012	Treharne et al.	
D678,097 S	3/2013	Elwell et al.	
D680,015 S	4/2013	Hauser et al.	
D683,251 S	5/2013	Dumas et al.	
D692,332 S	10/2013	Ni et al.	
D703,566 S	4/2014	Chen et al.	
D706,152 S	6/2014	Ni et al.	

FOREIGN PATENT DOCUMENTS

CA	74569	8/1994
CA	74610	8/1994
CN	201230432179X	6/2013
EP	000757620-0004	7/2007
EP	000883269-0001	2/2008

EP	001015788-0001	10/2008
EP	001781188-0001	11/2010
EP	001828070-0001	2/2011
EP	002143784-0002	11/2012
JP	1177905 S	6/2003
JP	1203574 S	4/2004
JP	1220720 S	10/2004
JP	1333401 S	6/2008
JP	1348157 S	1/2009
JP	1400836 S	11/2010
JP	1422635 S	9/2011
JP	1386160 S	4/2013
JP	1471658 S	6/2013
JP	1475417 S	7/2013
JP	1400674 S	10/2013
JP	1498774 S	6/2014
WO	DM/058681	11/2001
WO	DM/074389	9/2010

OTHER PUBLICATIONS

Wireless Leakage Sensor URL: <http://smarthome01.com/2014/03/03/wireless-leakage-sensor/>.  
 Occupancy Sensor URL: <http://www.tech-faq.com/occupancy-sensors.html>.

\* cited by examiner

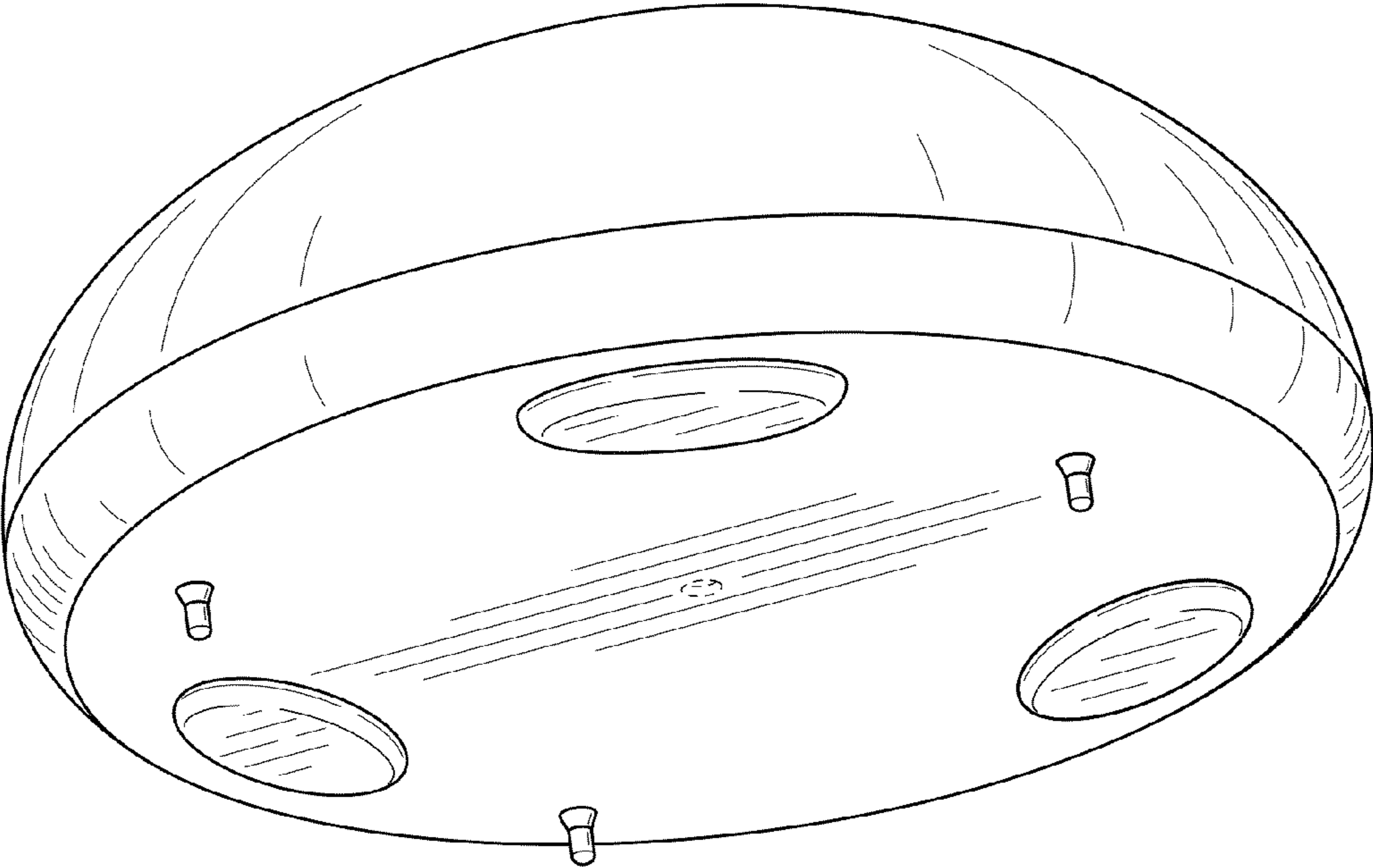


FIG. 1

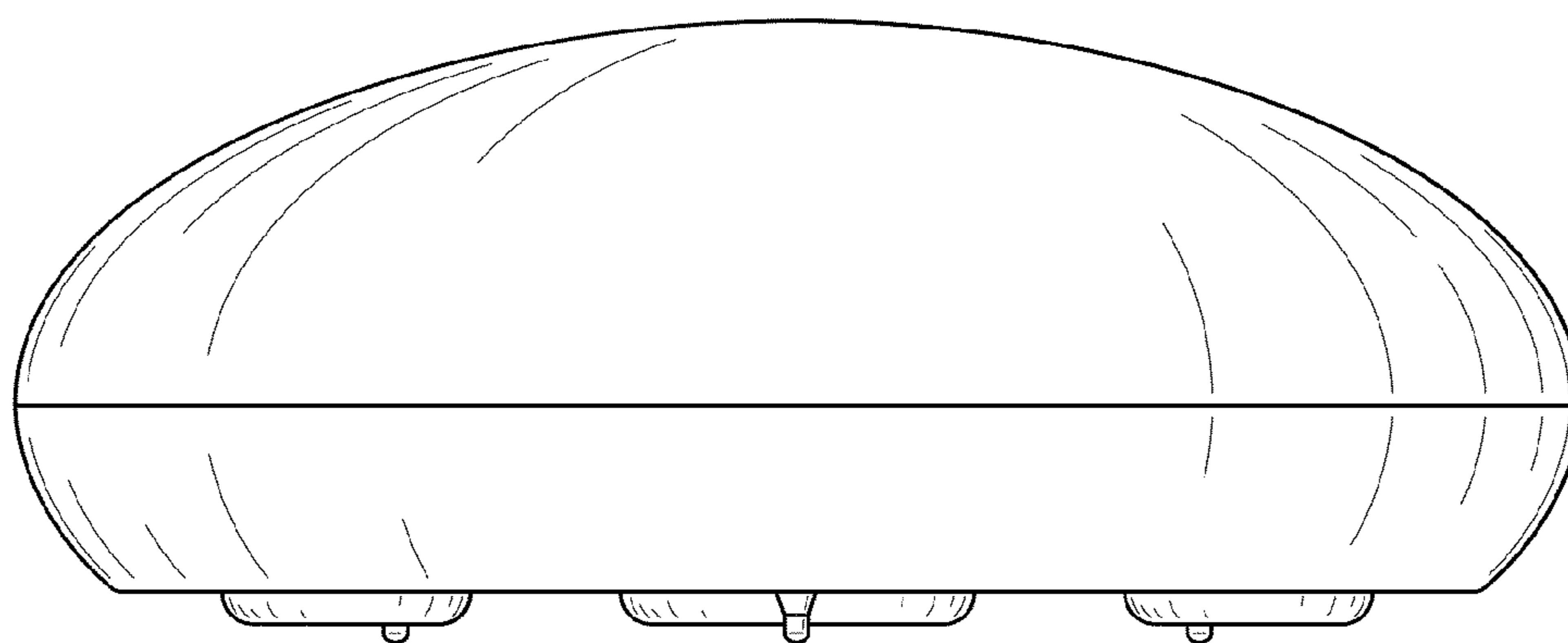


FIG. 2

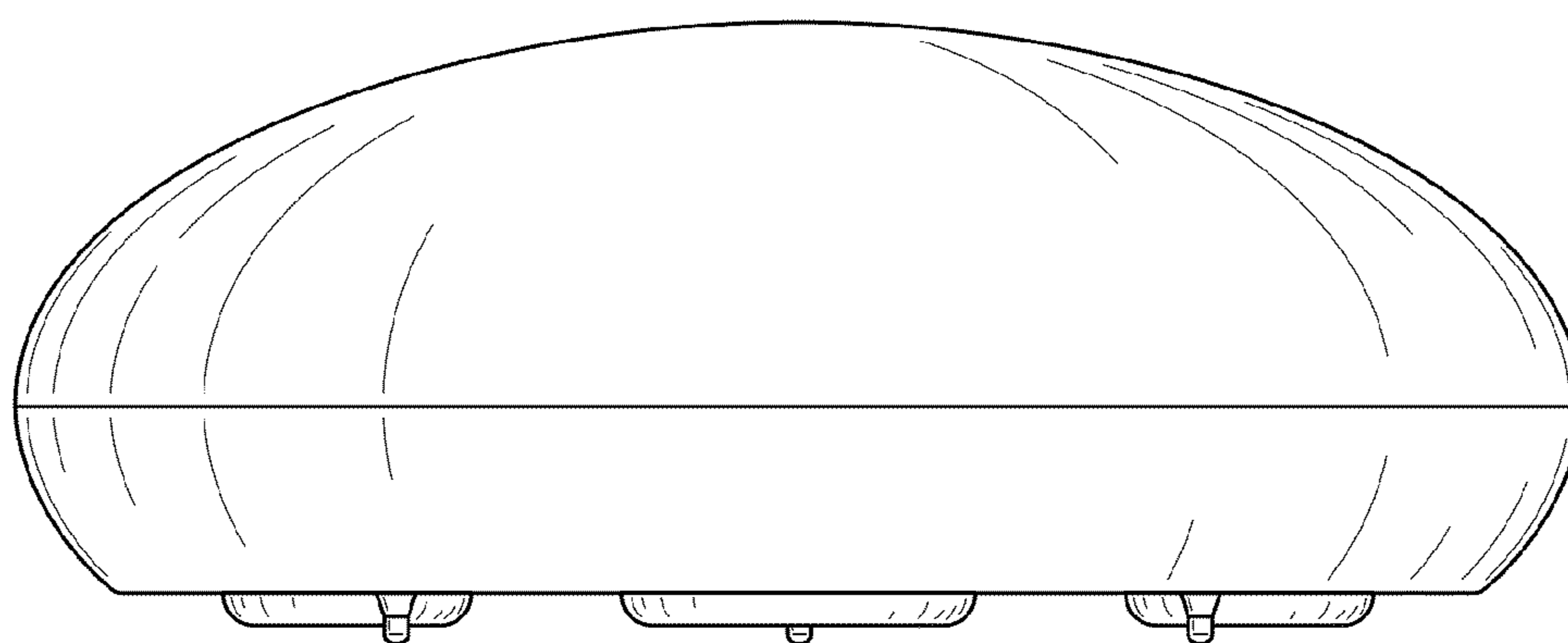


FIG. 3

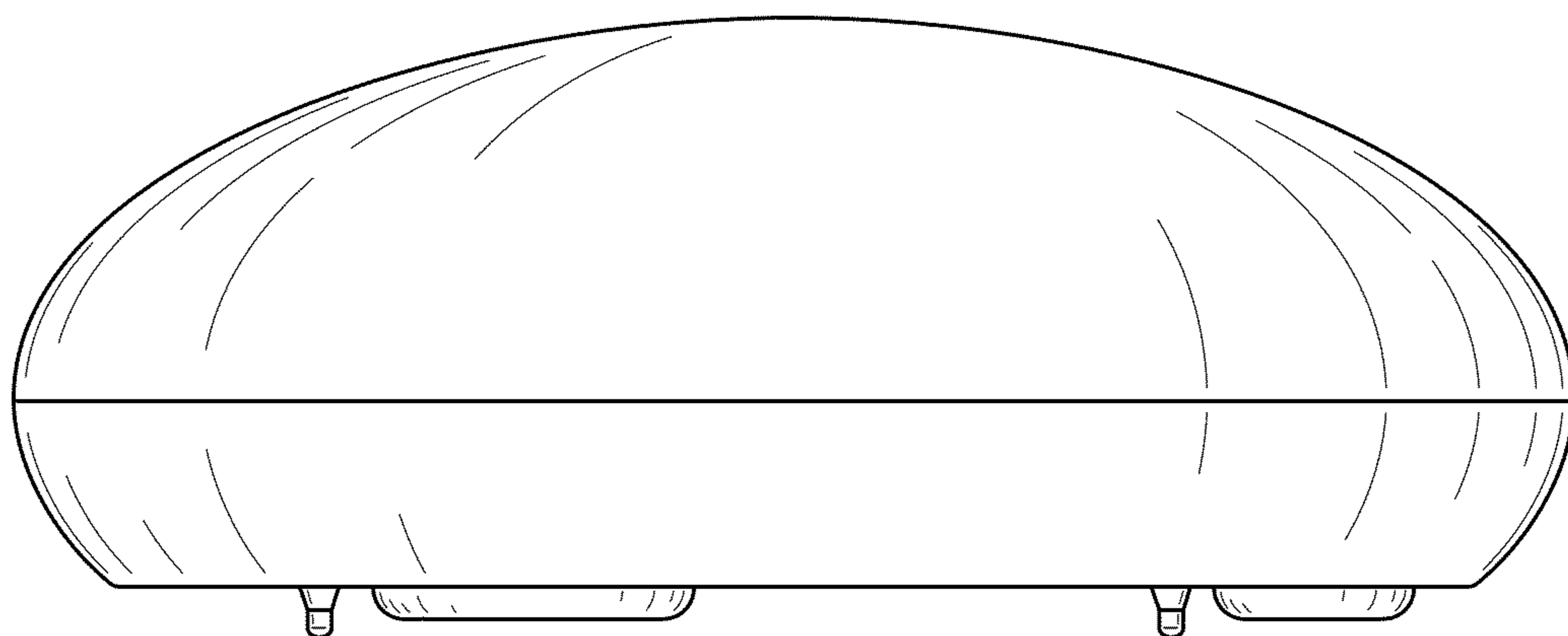


FIG. 4

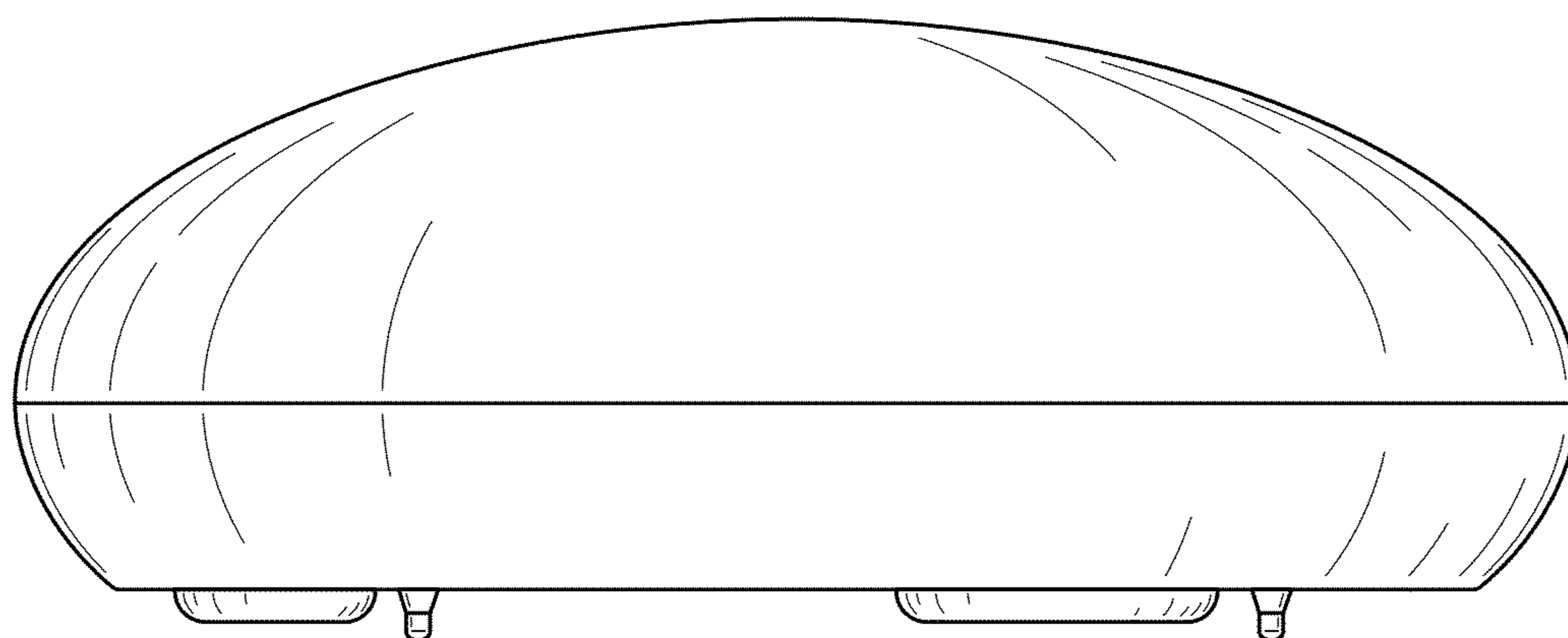


FIG. 5



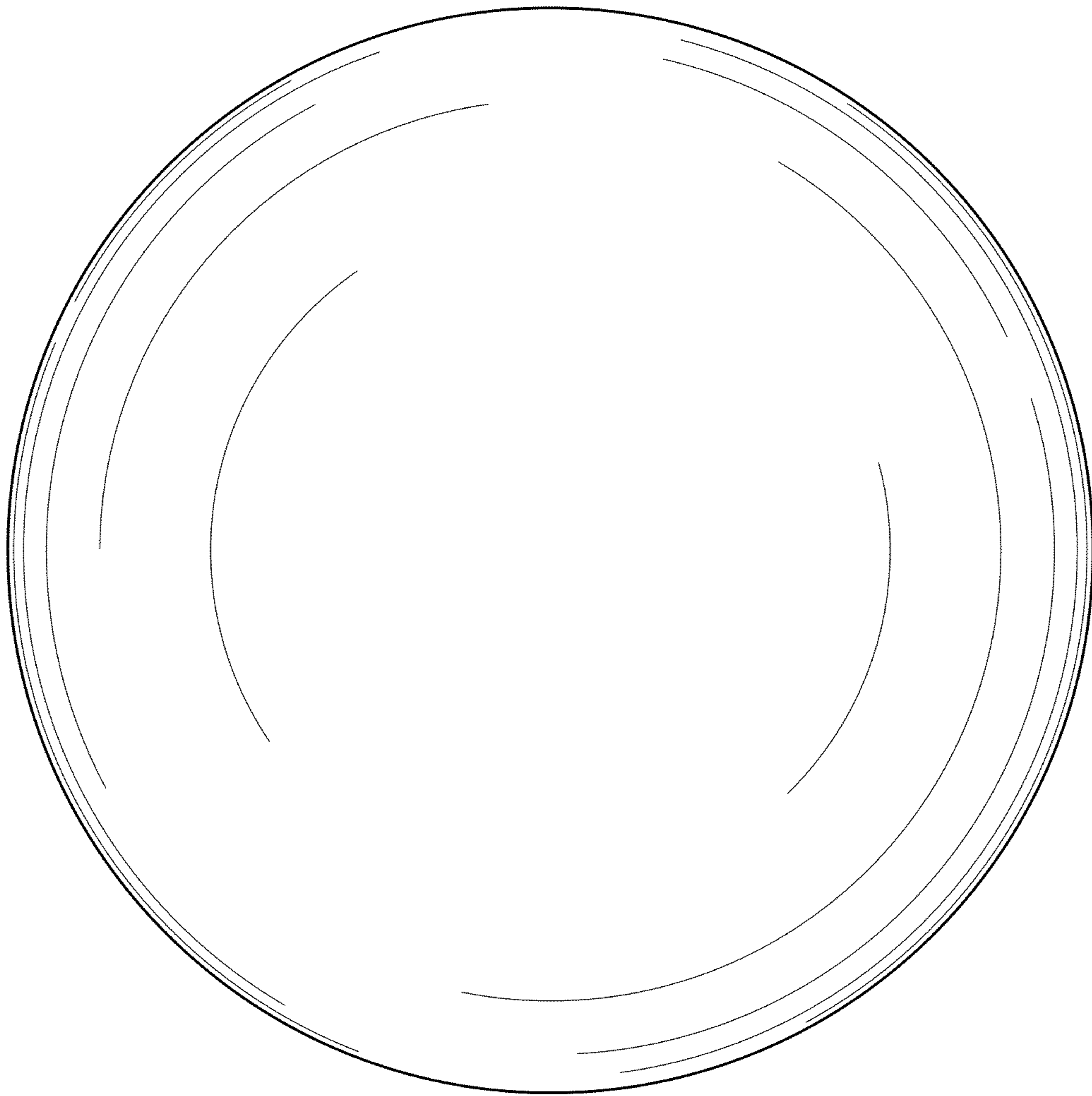


FIG. 6

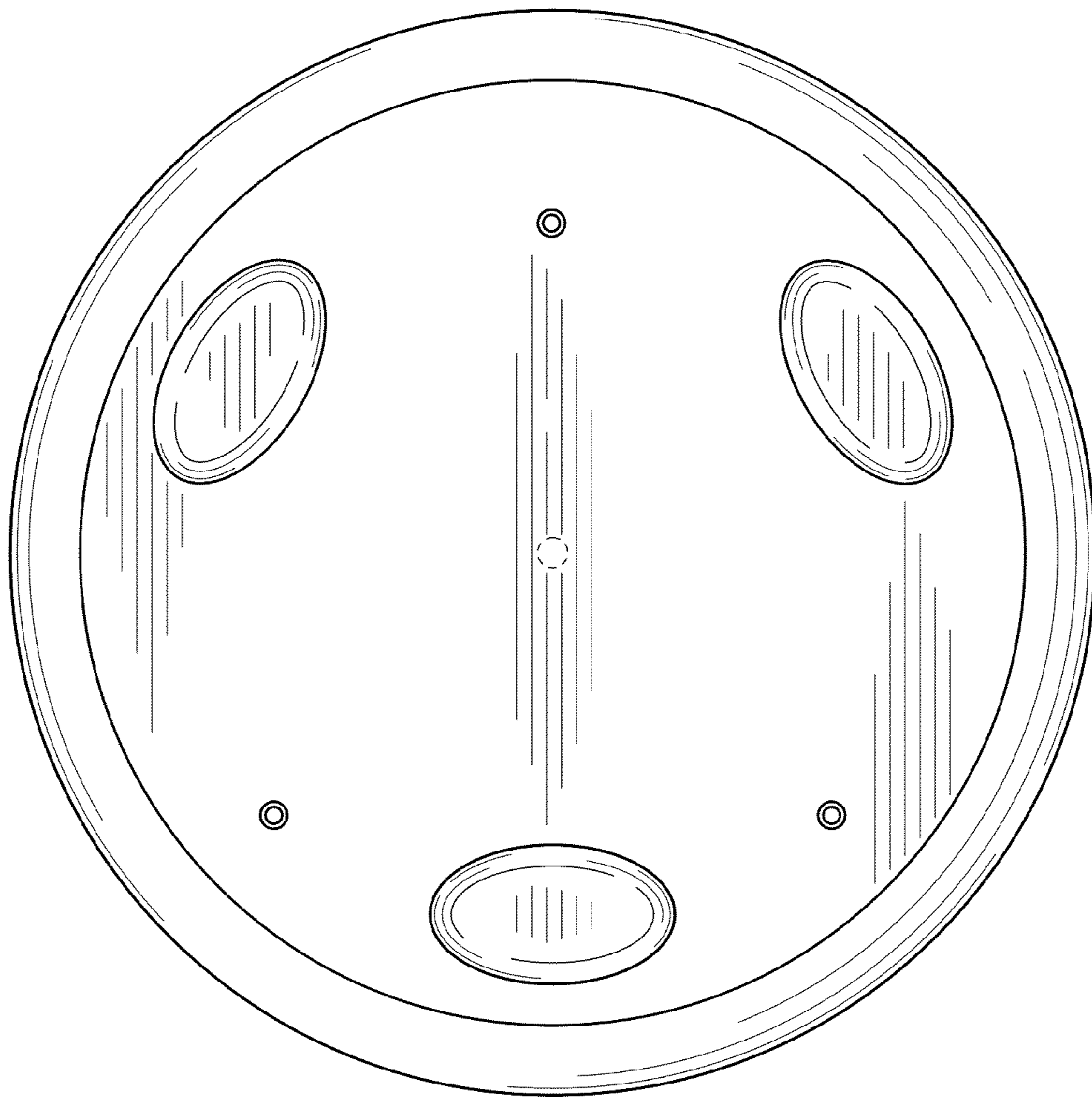


FIG. 7

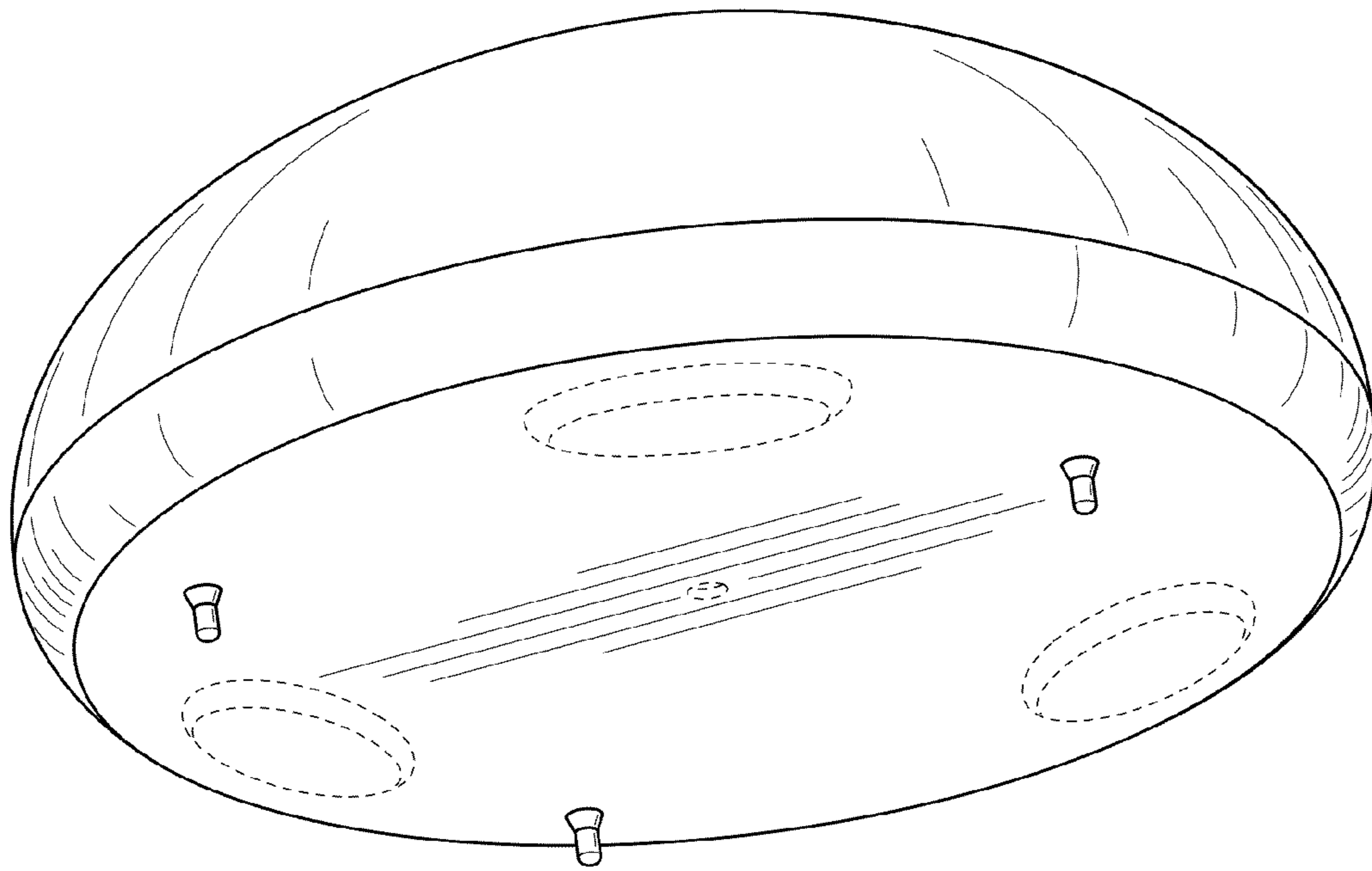


FIG. 8



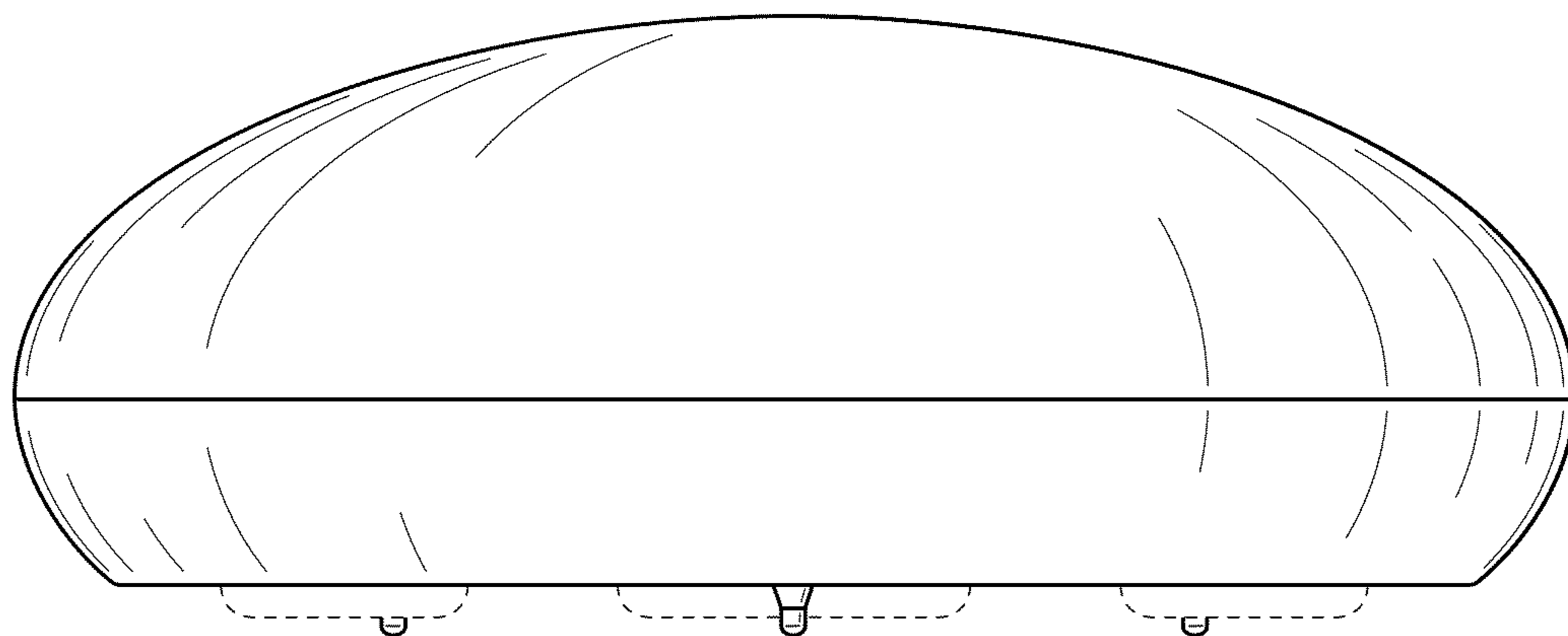


FIG. 9

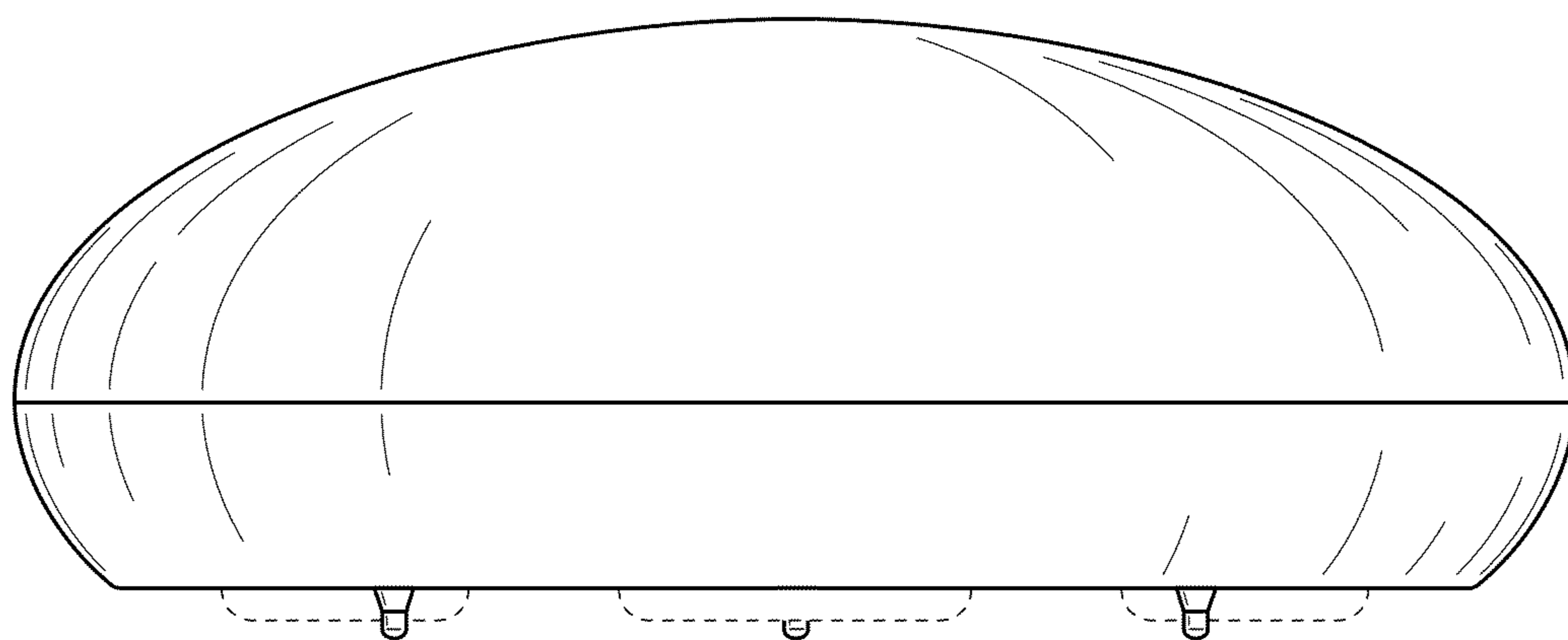


FIG. 10

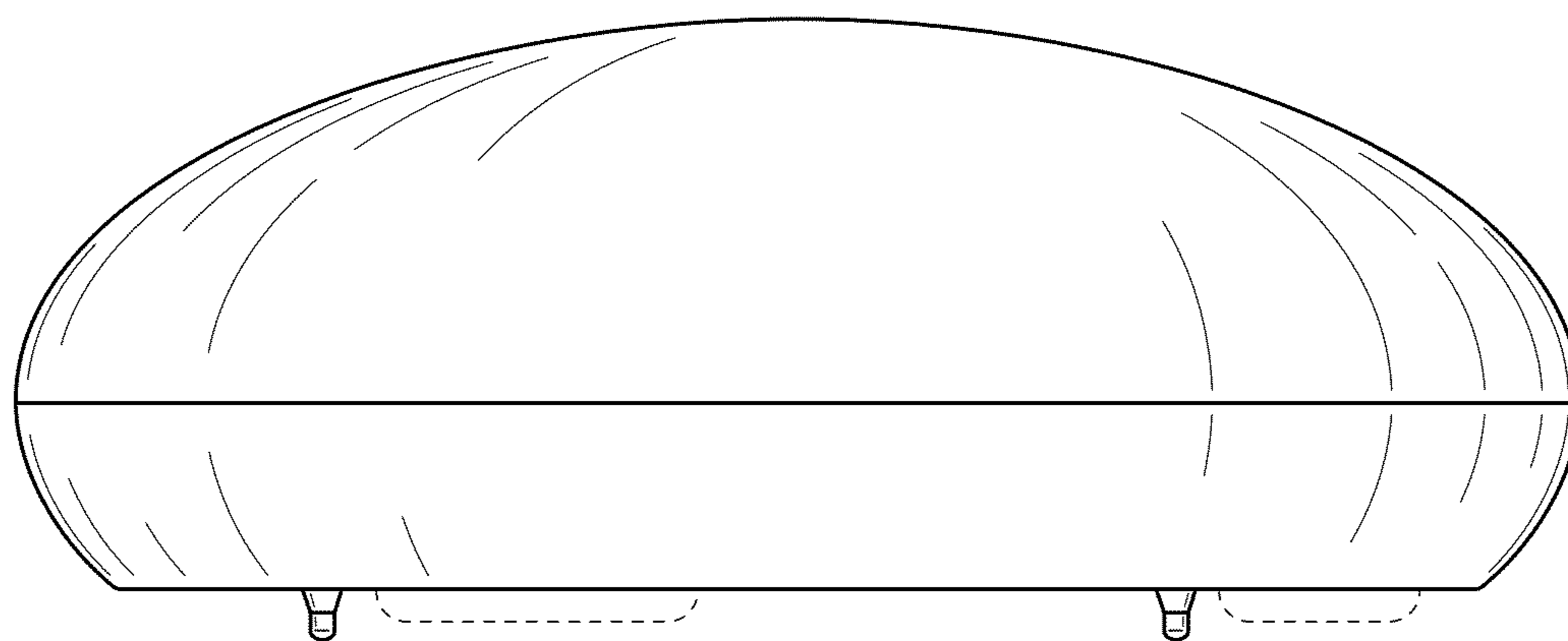


FIG. 11

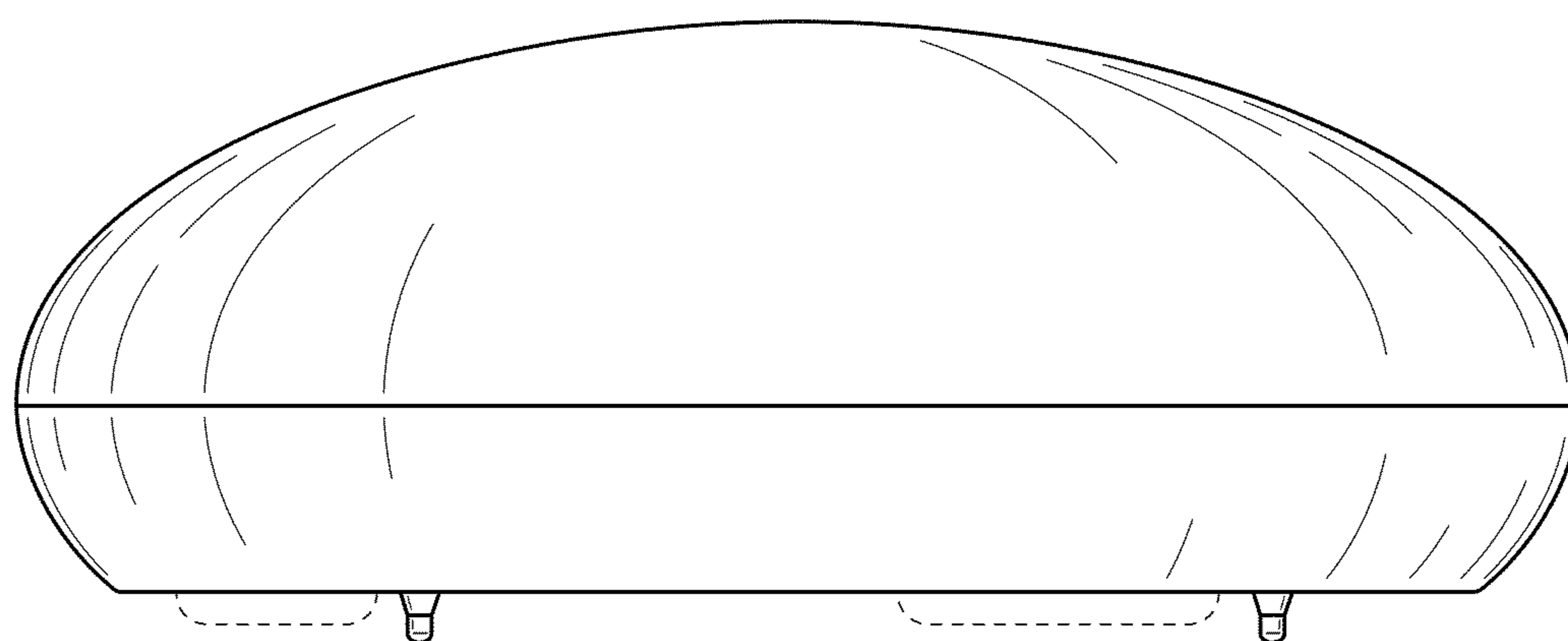


FIG. 12

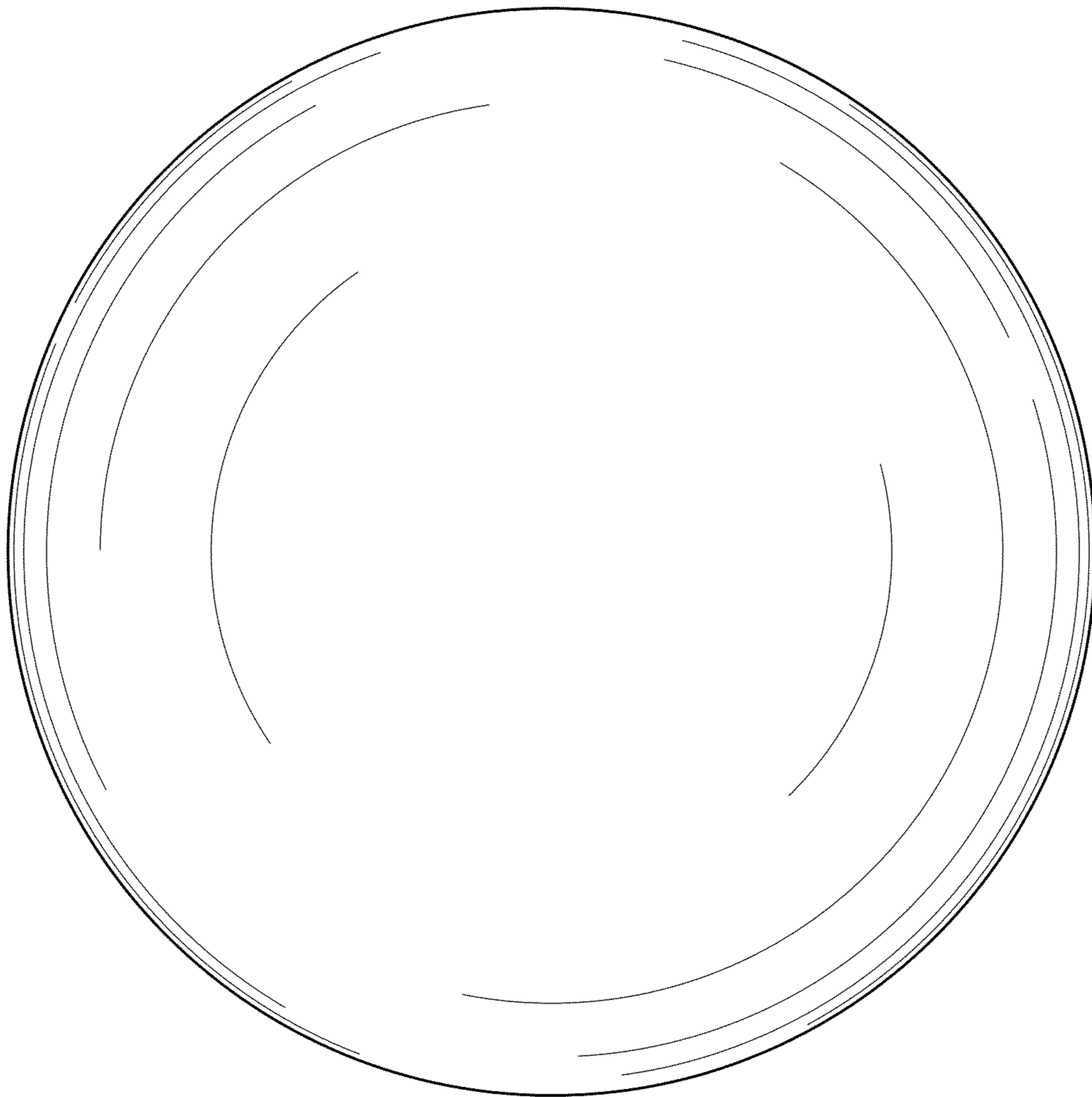


FIG. 13

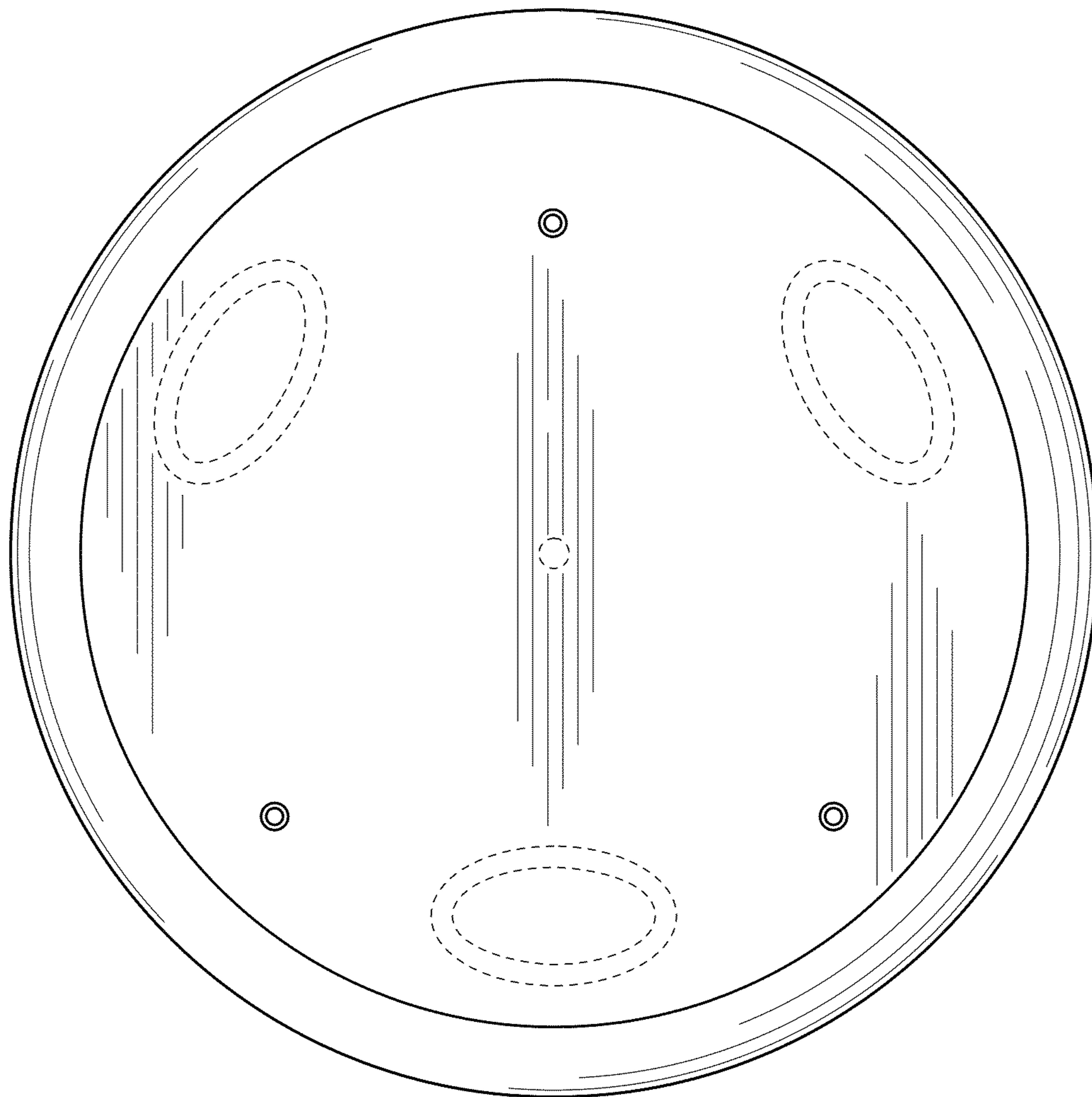


FIG. 14