



US00D731329S

(12) **United States Design Patent**
Joseph

(10) **Patent No.:** **US D731,329 S**
(45) **Date of Patent:** **** Jun. 9, 2015**

(54) **MEASURING JUG**

(71) Applicant: **JOSEPH JOSEPH LTD**, London (GB)

(72) Inventor: **Antony Joseph**, London (GB)

(73) Assignee: **JOSEPH JOSEPH LTD.**, London (GB)

(**) Term: **14 Years**

(21) Appl. No.: **29/462,550**

(22) Filed: **Aug. 6, 2013**

(30) **Foreign Application Priority Data**

Mar. 28, 2013 (EM) 002211268-0001

(51) **LOC (10) Cl.** **10-04**

(52) **U.S. Cl.**

USPC **D10/46.2**

(58) **Field of Classification Search**

USPC D10/46.3, 46, 46.1, 46.2, 61, 96, 101,
D10/103, 81; D7/691, 692, 643, 647, 653,
D7/587, 590, 600.1, 533, 505, 543, 545,
D7/601, 300, 637-638, 688, 693, 368, 213,
D7/536, 500, 316, 318; 73/426-429, 1.73,
73/290 R, 291; 294/176, 178, 179, 180;
206/519, 520; 30/324-328; 222/548,
222/143, 553, 465, 466, 467, 499, 501,
222/23.83

CPC ... G01F 19/002; G01F 19/00; B65D 33/1616;
B65D 77/245; B65D 21/00; A47G 19/00;
A61J 7/00; A61J 7/0023; B29C 45/16; B29C
2045/1659; B29K 2995/0018; A01B 1/02

See application file for complete search history.

(56) **References Cited**

U.S. PATENT DOCUMENTS

D99,405 S * 4/1936 Marschall D10/46.3
D178,512 S * 8/1956 Forsman D10/46.3
D227,535 S * 7/1973 Grimes D7/318

D241,301 S * 9/1976 Harris D7/667
D243,500 S * 3/1977 Cooper D10/46.2
D268,158 S * 3/1983 Doyel D10/46.3
D287,324 S * 12/1986 Schmidt D10/46.2
D473,148 S * 4/2003 Kleckauskas et al. D10/46.2
D548,114 S * 8/2007 Sawhney et al. D10/46.2
D559,634 S * 1/2008 Chan D7/668
D562,160 S * 2/2008 Cohen D10/46.2
D580,798 S * 11/2008 Barber D10/46.2
D613,134 S * 4/2010 McRorie et al. D7/691
D619,427 S * 7/2010 Poteet D7/667
D641,266 S * 7/2011 Tamura et al. D10/46.2
D642,080 S * 7/2011 Schmitt D10/46.2
8,034,433 B2 * 10/2011 Fai et al. 428/172
D688,579 S * 8/2013 Marshall D10/81
2001/0042402 A1 * 11/2001 Hoeting et al. 73/427
2008/0017540 A1 * 1/2008 Sawhney et al. 206/514
2009/0044622 A1 * 2/2009 Barber 73/426
2009/0294318 A1 * 12/2009 Monahan 206/459.5

* cited by examiner

Primary Examiner — Ian Simmons

Assistant Examiner — Shannon Morgan

(74) *Attorney, Agent, or Firm* — Millen, White, Zelano & Branigan, P.C.

(57) **CLAIM**

The ornamental design for a measuring jug, as shown and described.

DESCRIPTION

FIG. 1 is a perspective view of the measuring jug showing my new design.

FIG. 2 is a left side elevational view thereof;

FIG. 3 is a right side elevational view thereof;

FIG. 4 is a bottom plan view thereof;

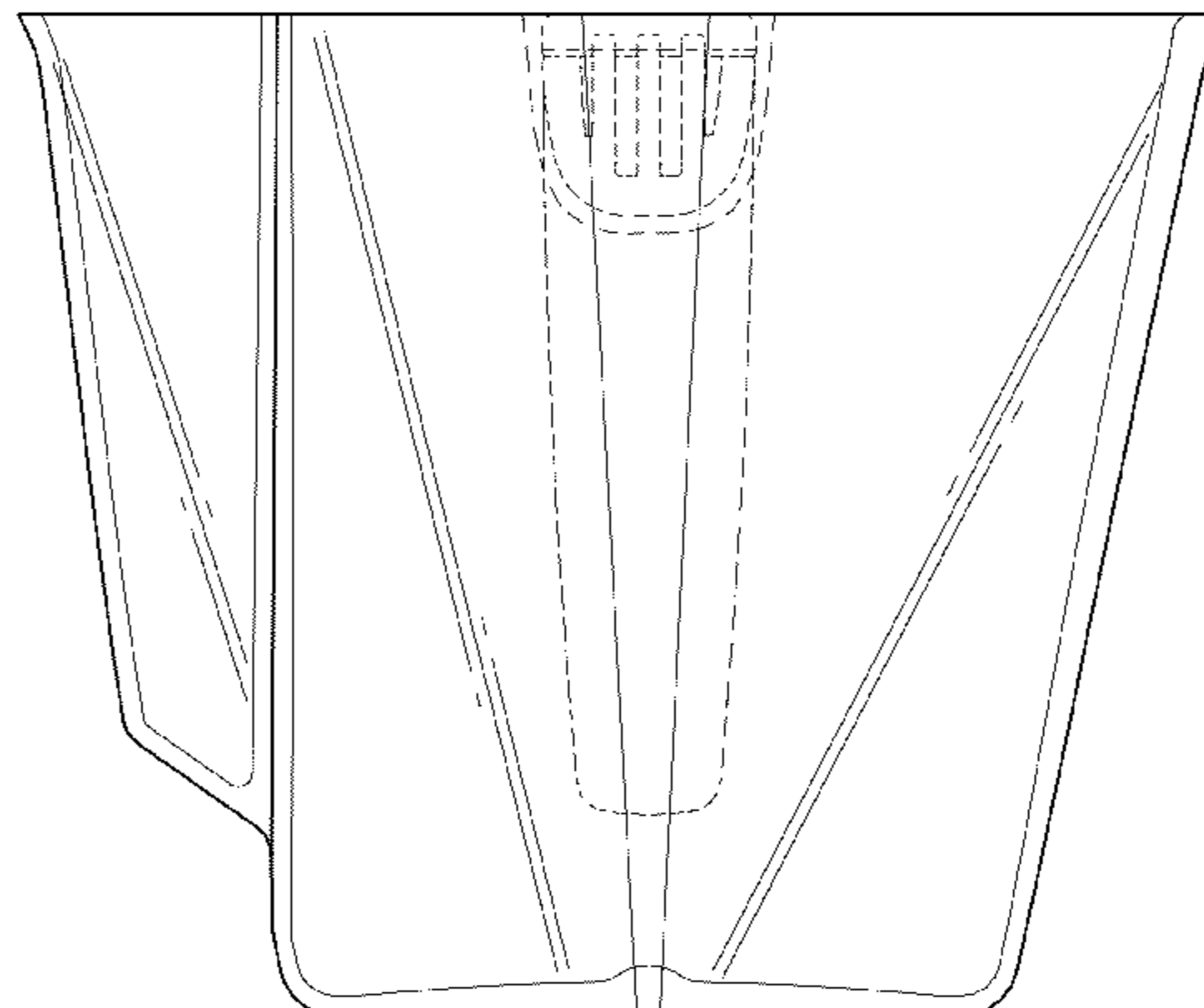
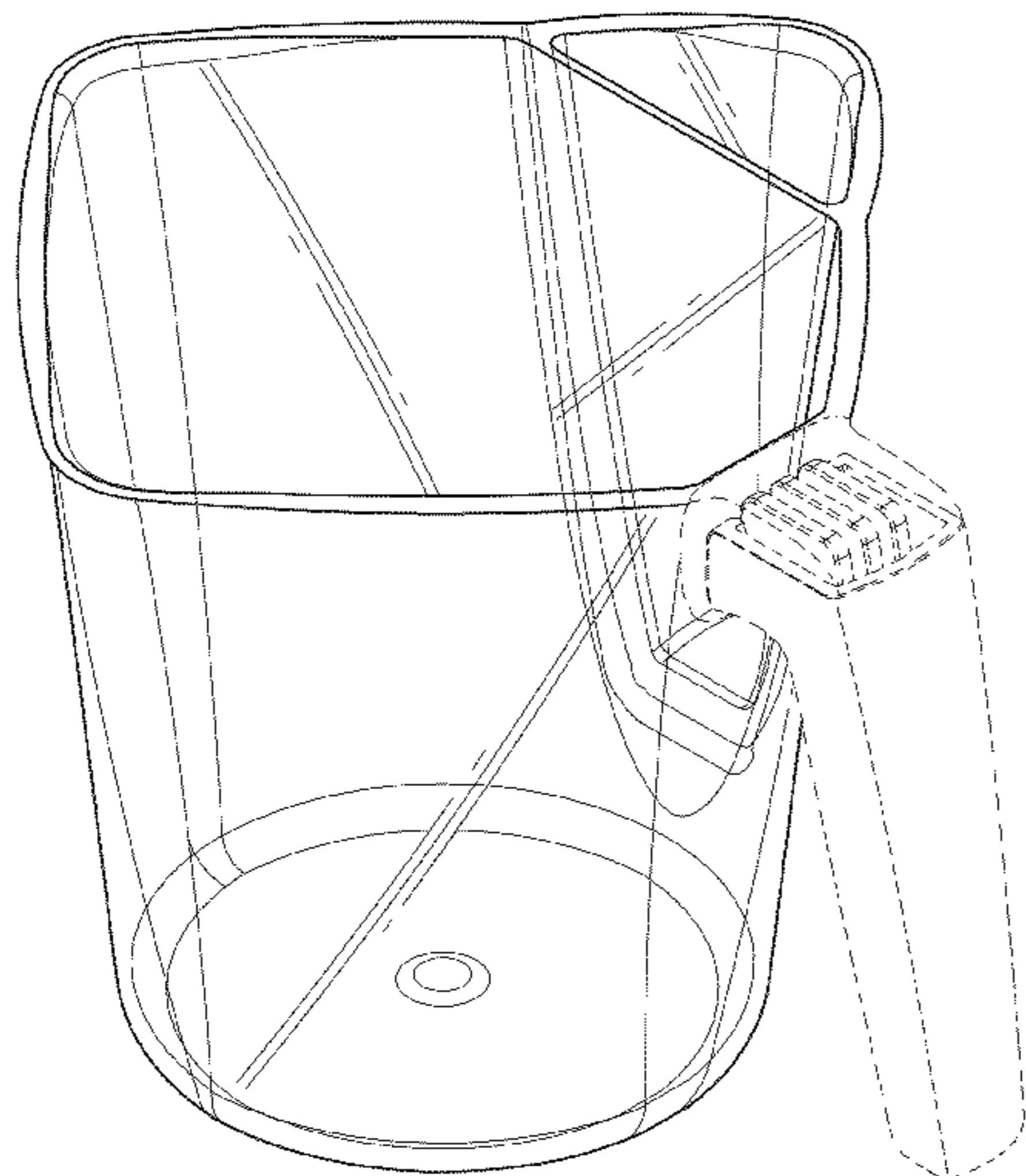
FIG. 5 is a top plan view thereof;

FIG. 6 is a front elevational view thereof; and,

FIG. 7 is a rear elevational view thereof.

The broken lines shown in FIGS. 1-7 represent portions of the measuring jug that form no part of the claimed design.

1 Claim, 7 Drawing Sheets



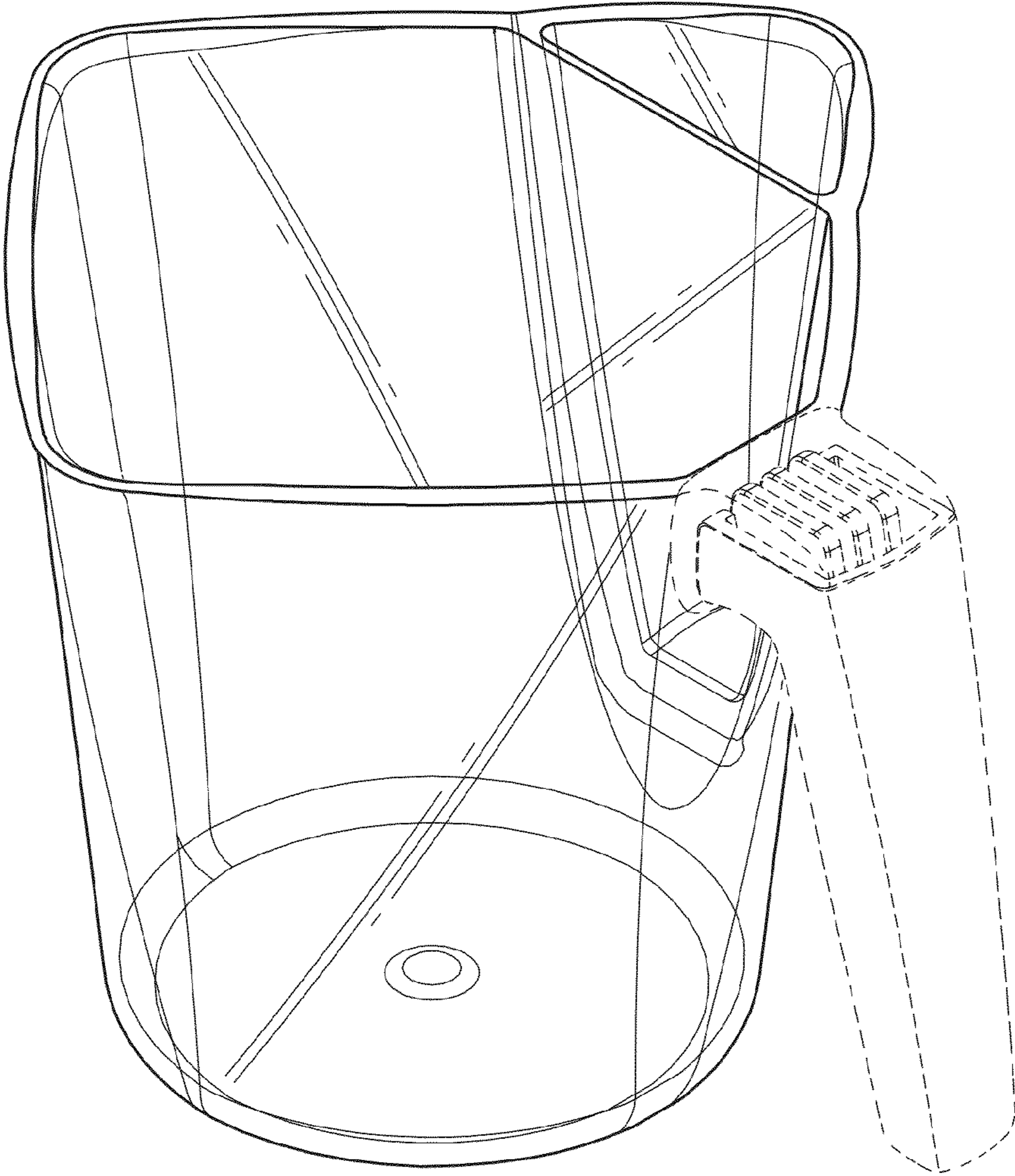


FIG. 1

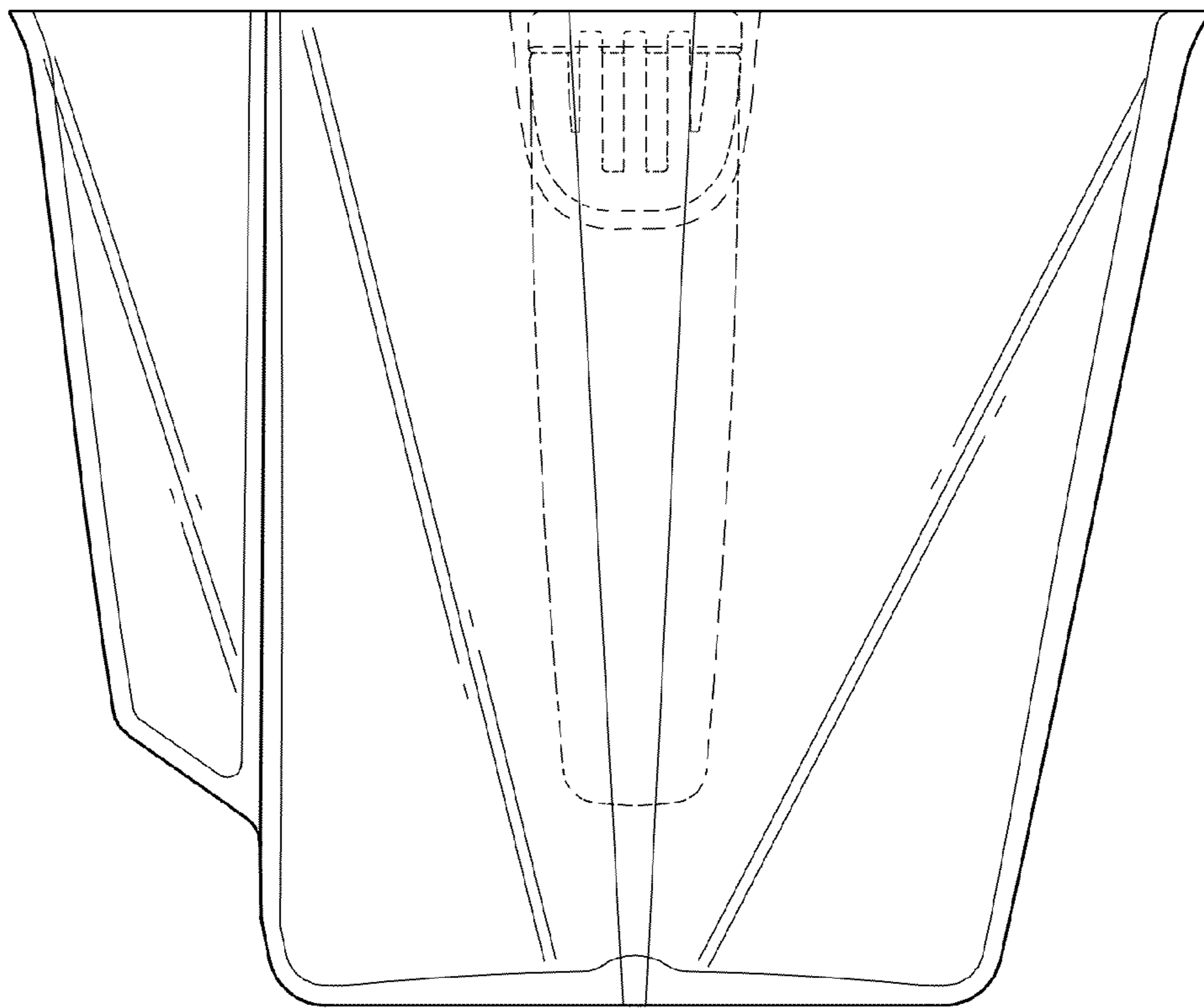


FIG.2

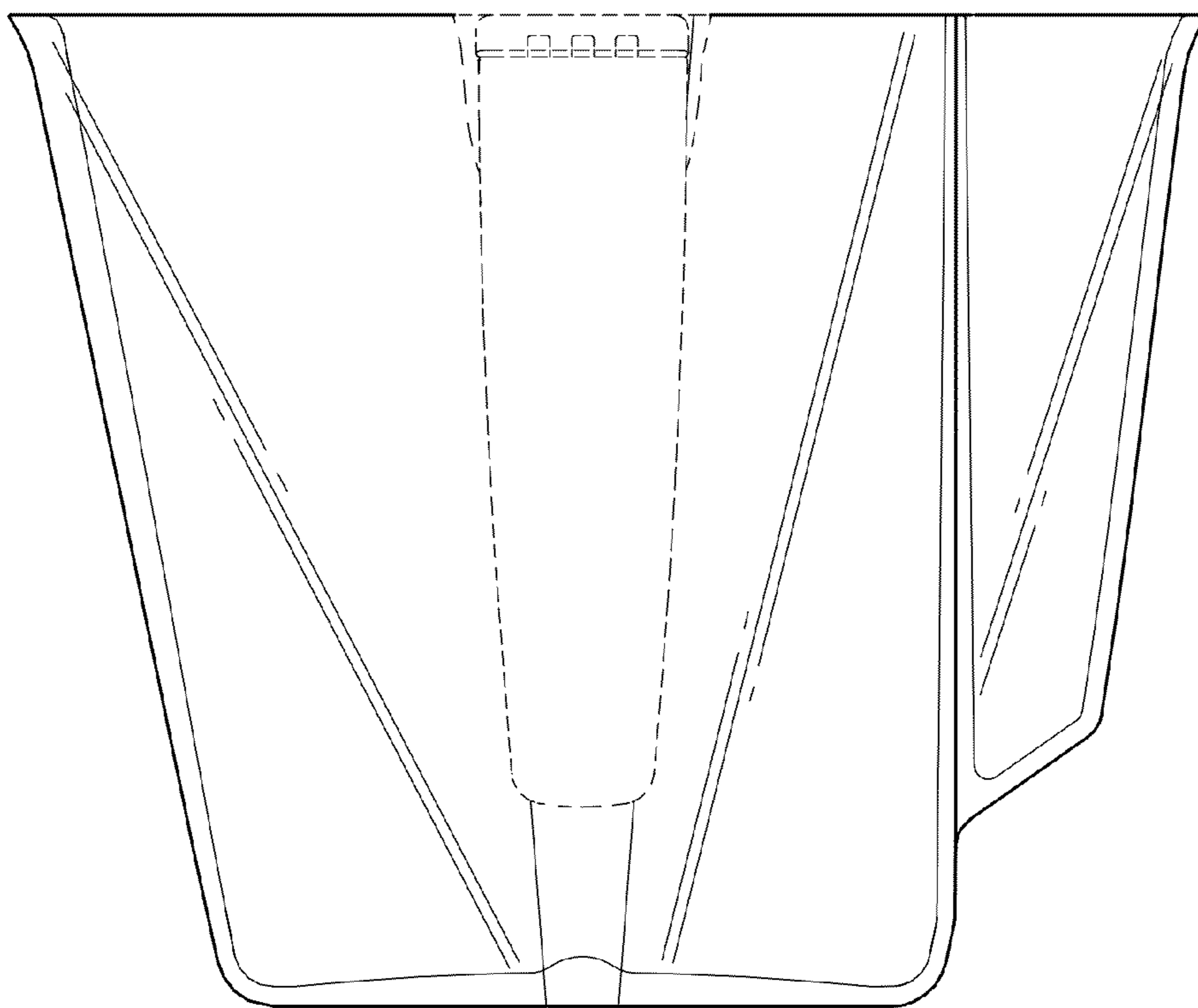


FIG.3

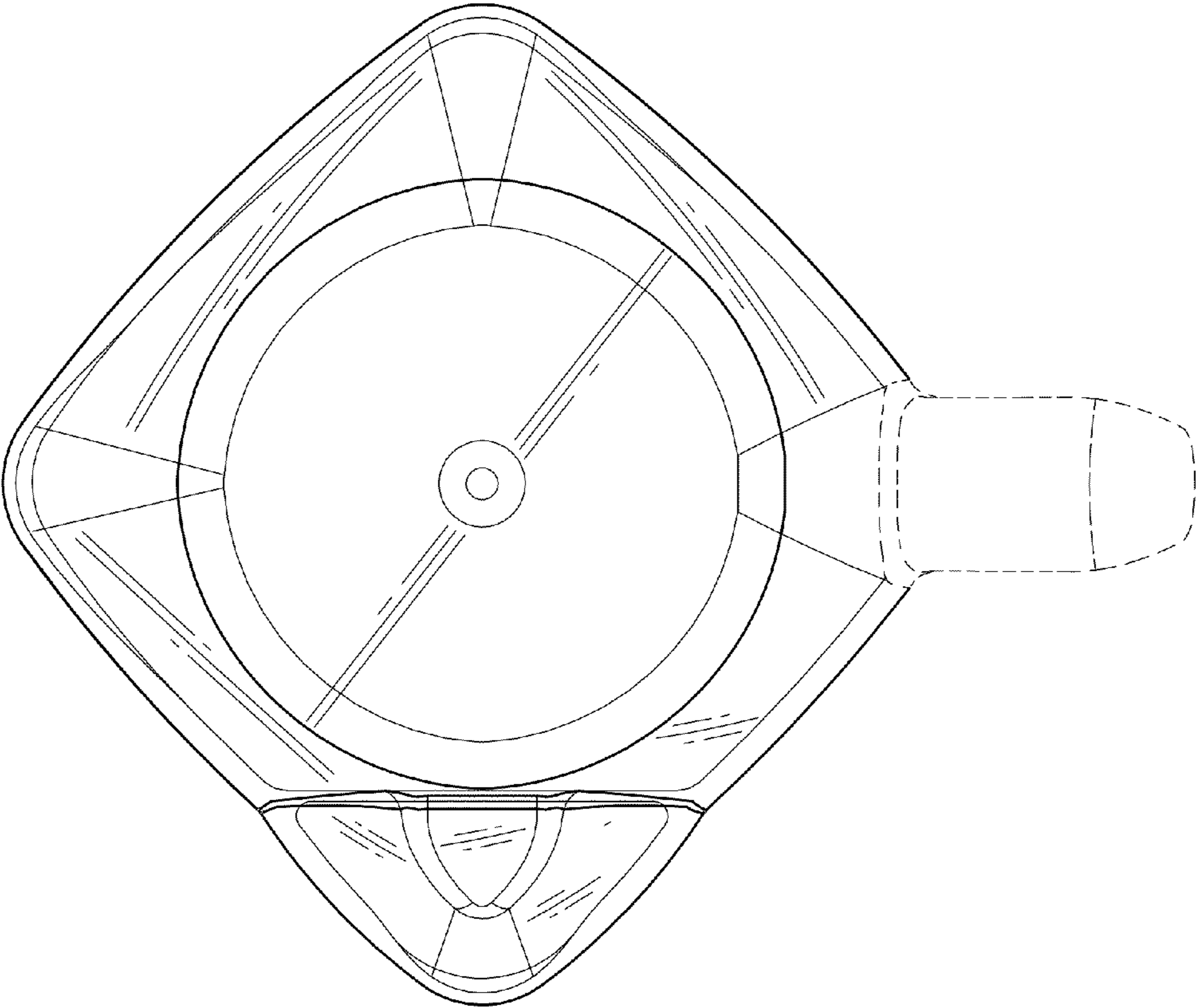


FIG.4

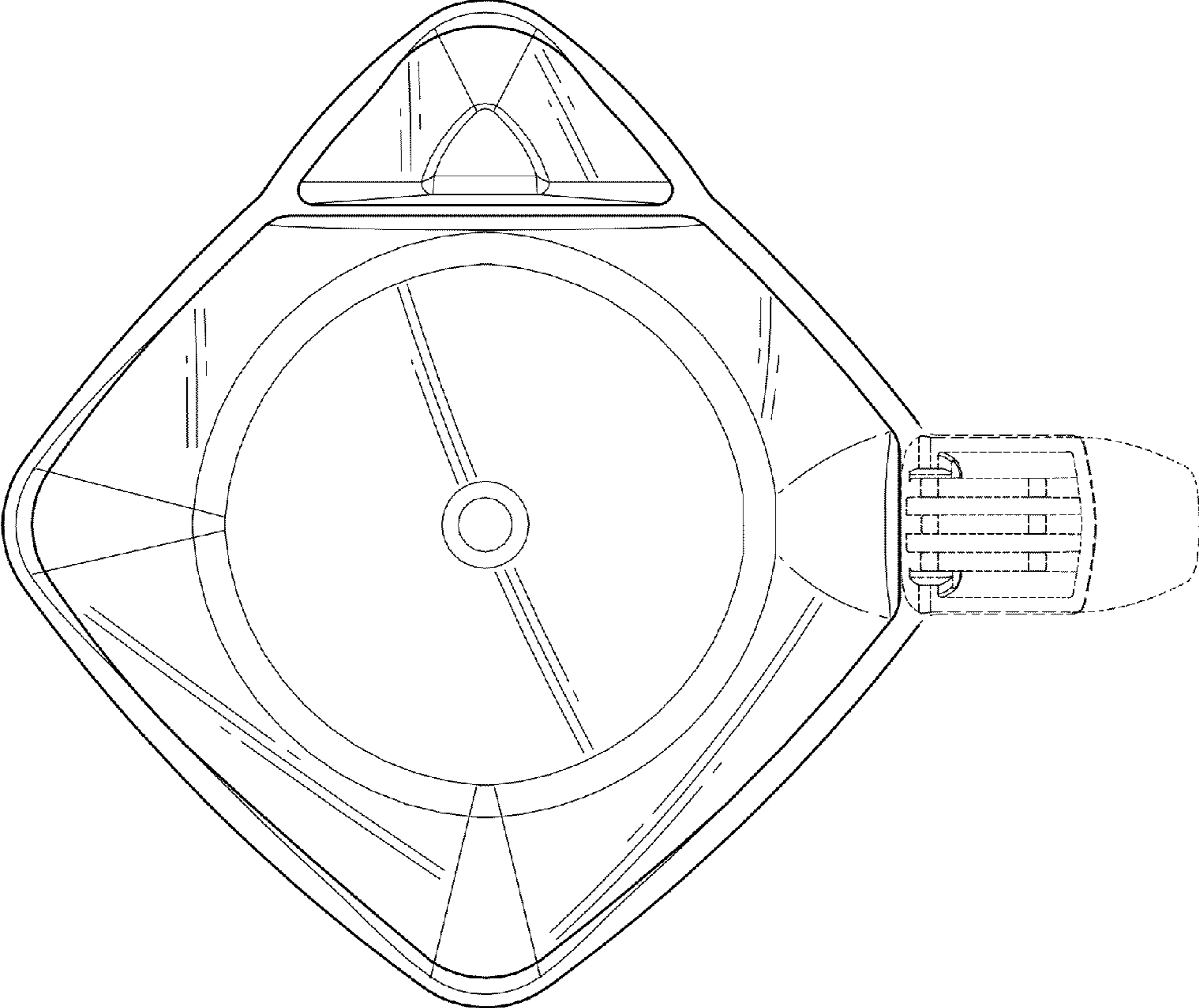


FIG.5

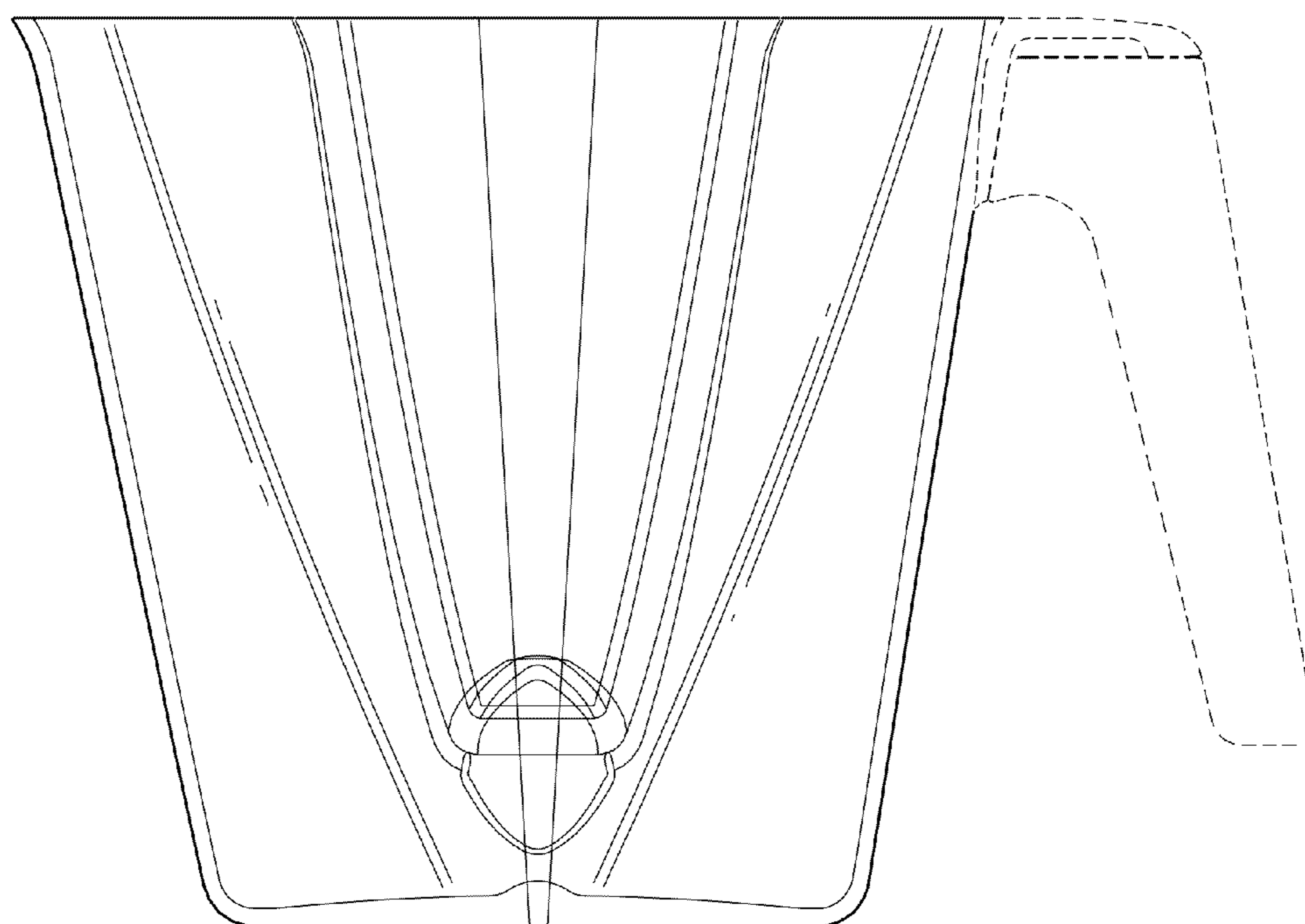


FIG.6

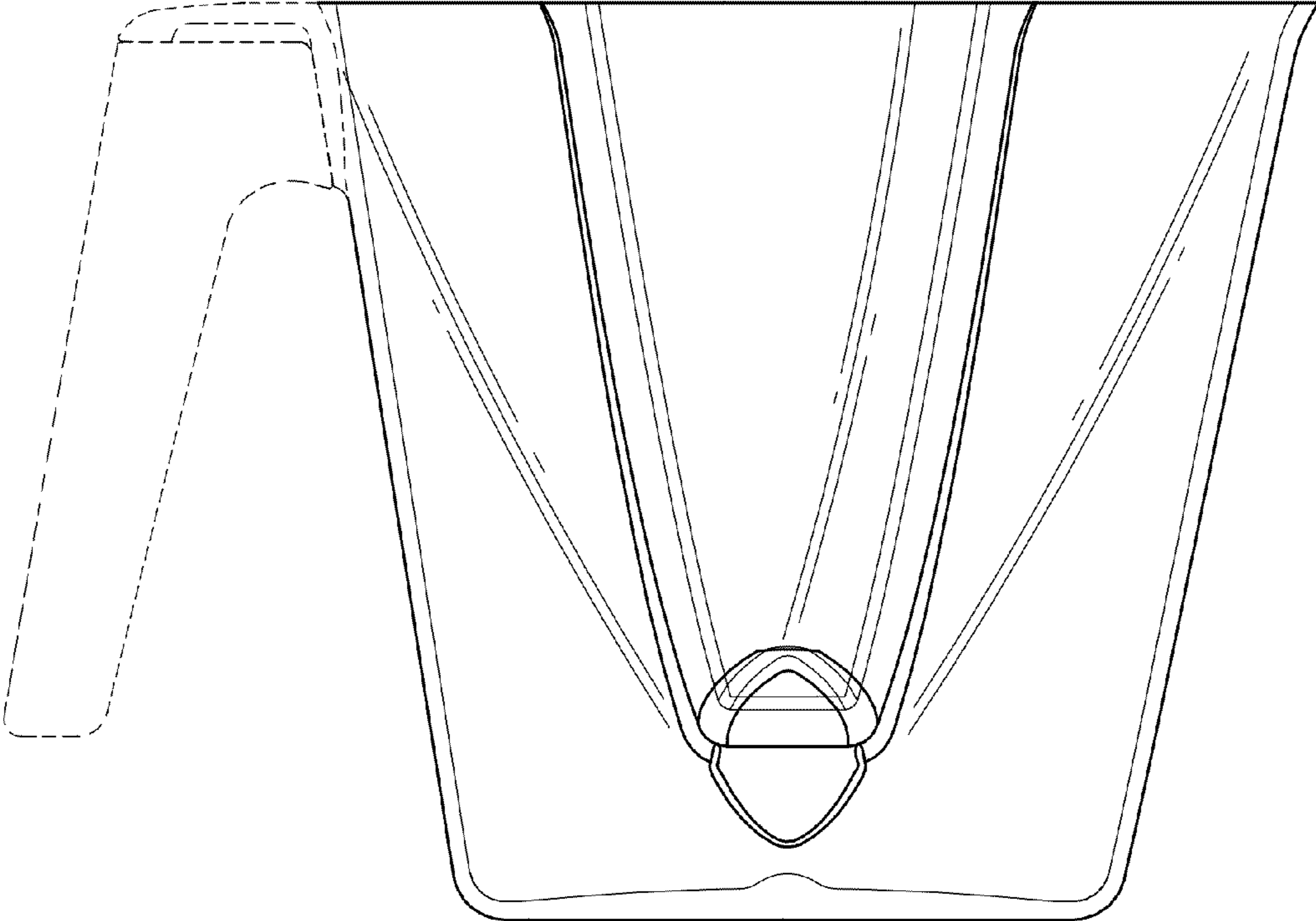


FIG.7