

US00D731328S

(12) **United States Design Patent**
Kessler et al.

(10) **Patent No.:** **US D731,328 S**
(45) **Date of Patent:** **** Jun. 9, 2015**

(54) **DESKTOP APPARATUS FOR TESTING
PRECIOUS METAL**

7,111,773 B1 9/2006 So et al.
8,564,316 B2 * 10/2013 Kessler et al. 324/717
8,947,111 B2 * 2/2015 Zhu et al. 324/717

(71) Applicant: **Sy Kessler Sales, Inc.**, Dallas, TX (US)

* cited by examiner

(72) Inventors: **Daniel L. Kessler**, Dallas, TX (US);
Henry M. Kessler, Dallas, TX (US)

Primary Examiner — Antoine D Davis

(74) *Attorney, Agent, or Firm* — Scott T. Griggs; Griggs
Bergen LLP

(73) Assignee: **Sy Kessler Sales, Inc.**, Dallas, TX (US)

(57) **CLAIM**

(**) Term: **14 Years**

The ornamental design for a desktop apparatus for testing
precious metal, as shown described.

(21) Appl. No.: **29/483,938**

DESCRIPTION

(22) Filed: **Mar. 4, 2014**

(51) **LOC (10) Cl.** **10-04**

(52) **U.S. Cl.**

USPC **D10/46; D10/83**

(58) **Field of Classification Search**

USPC **D10/46, 83; D18/7, 8**

See application file for complete search history.

FIG. 1 is a front perspective view of one embodiment showing
our new design for a desktop apparatus for testing precious
metal;

FIG. 2 is a top plan view depicting the desktop apparatus for
testing precious metal shown in FIG. 1;

FIG. 3 is a bottom plan view depicting the desktop apparatus
for testing precious metal shown in FIG. 1;

FIG. 4 is a front elevation view depicting the desktop appa-
ratus for testing precious metal shown in FIG. 1;

FIG. 5 is a rear elevation view depicting the desktop apparatus
for testing precious metal shown in FIG. 1; and,

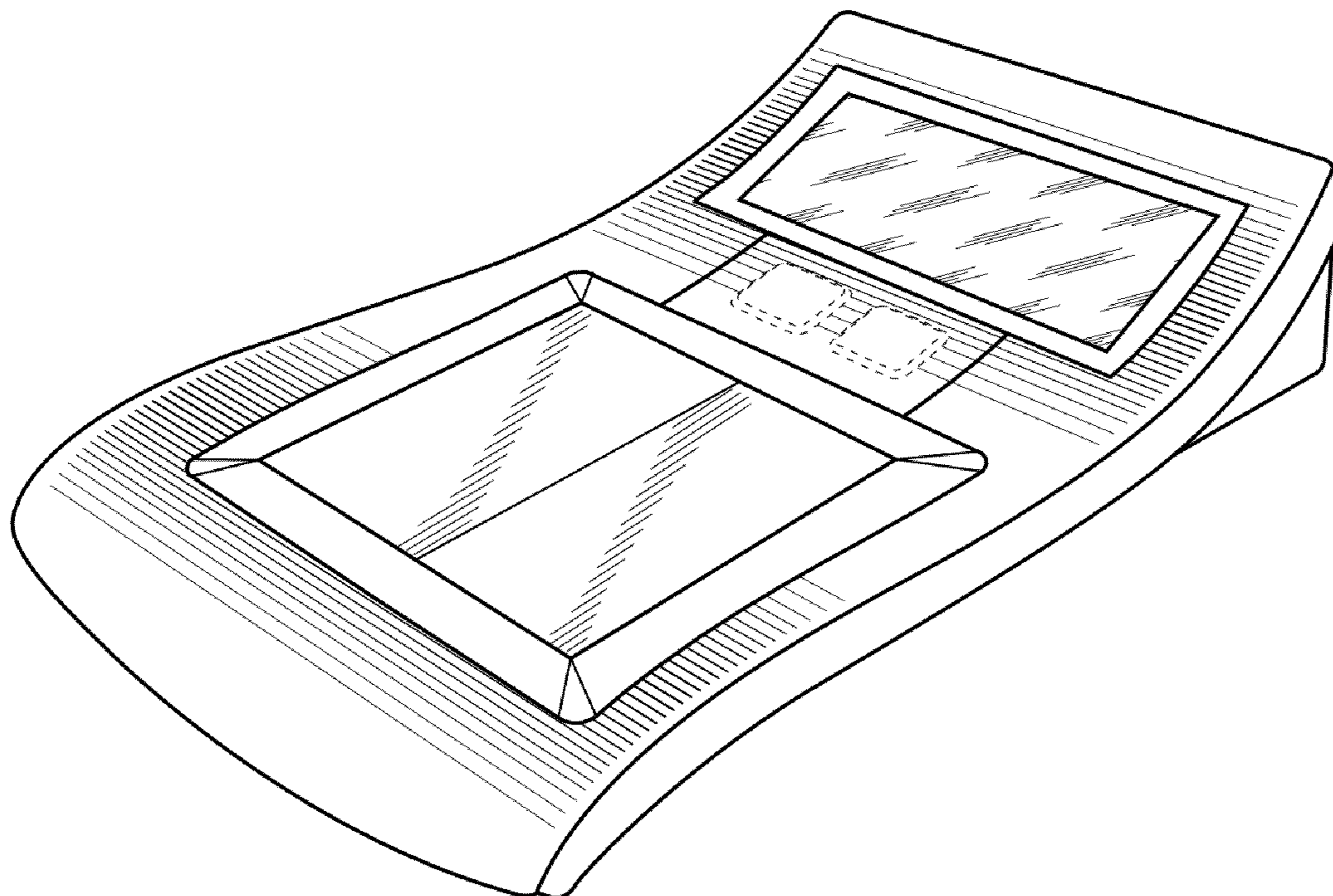
FIG. 6 is a left side elevation view depicting the desktop
apparatus for testing precious metal shown in FIG. 1, which
has left and right side symmetry.

(56) **References Cited**

U.S. PATENT DOCUMENTS

5,530,234 A 6/1996 Loh et al.
6,043,742 A * 3/2000 Austin 340/540
D437,597 S 2/2001 Kaneko et al.
6,249,431 B1 6/2001 Chan

1 Claim, 1 Drawing Sheet



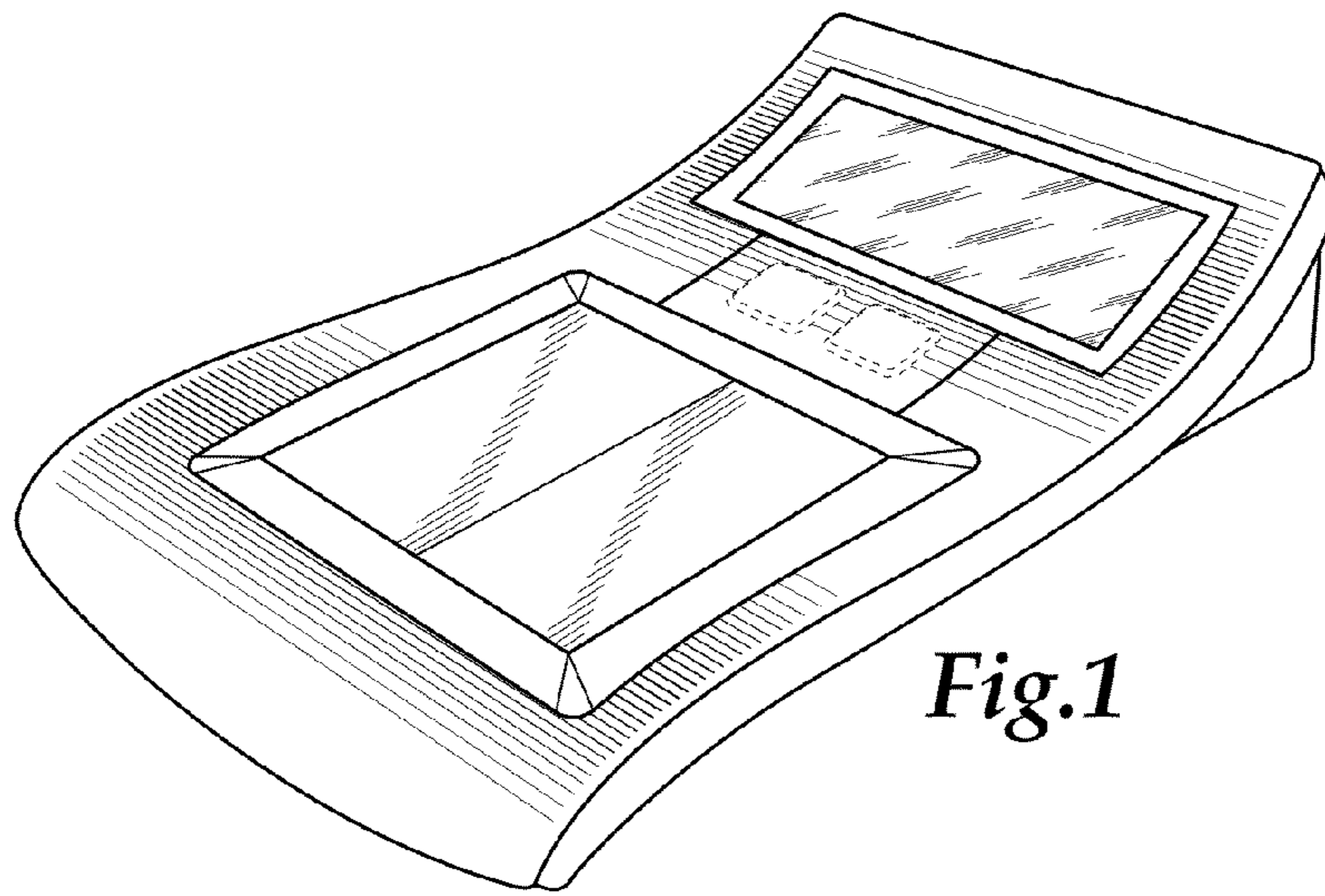


Fig.1

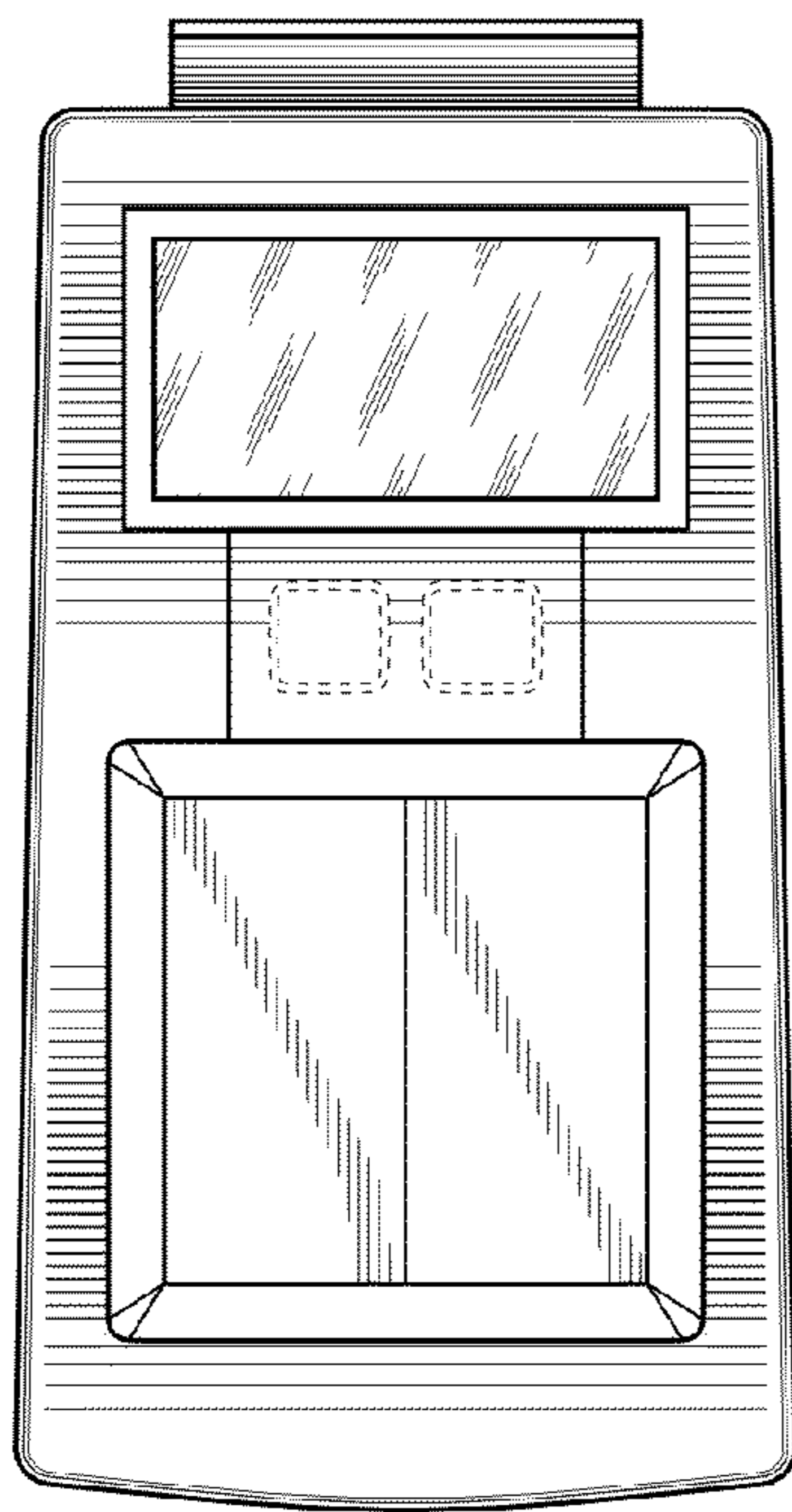


Fig.2

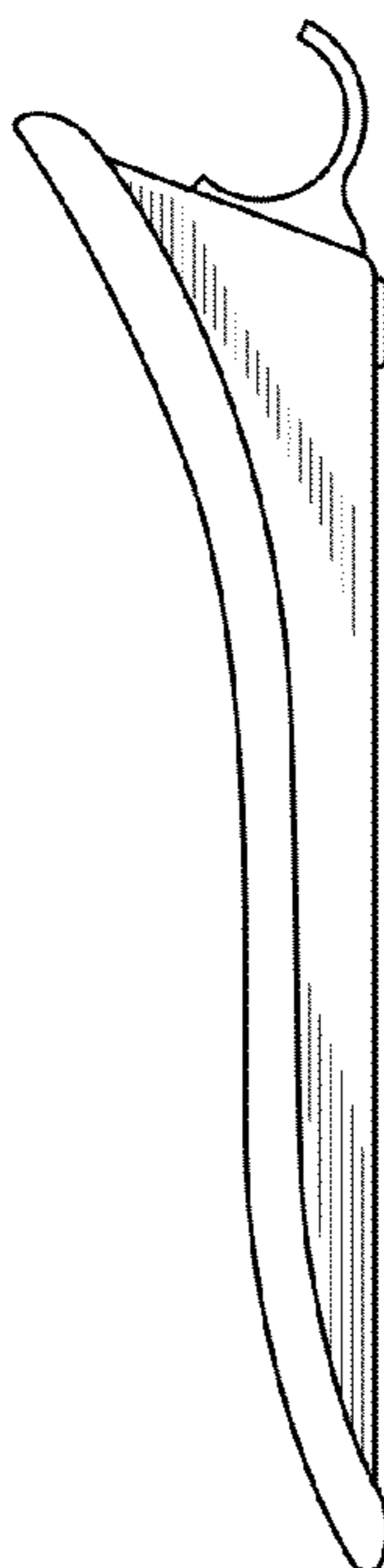


Fig.6

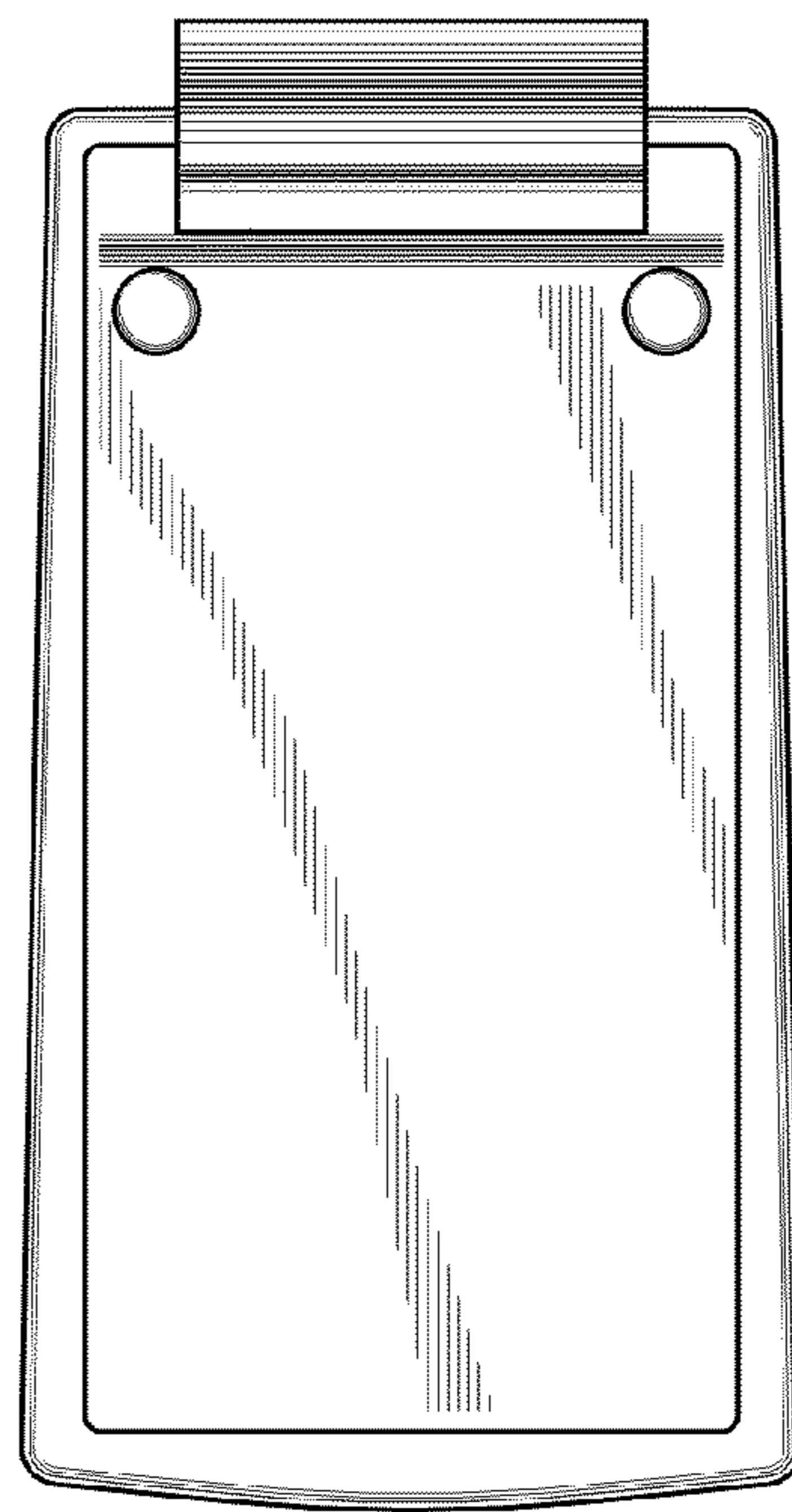


Fig.3

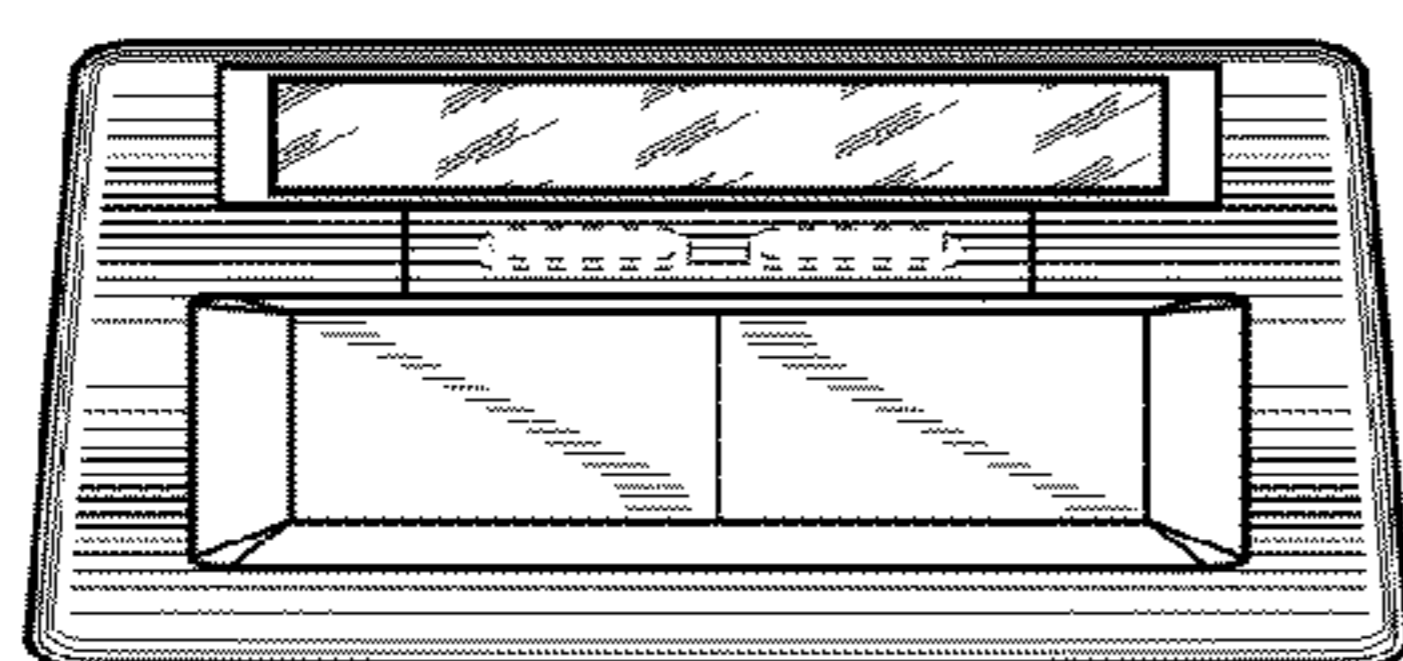


Fig.4

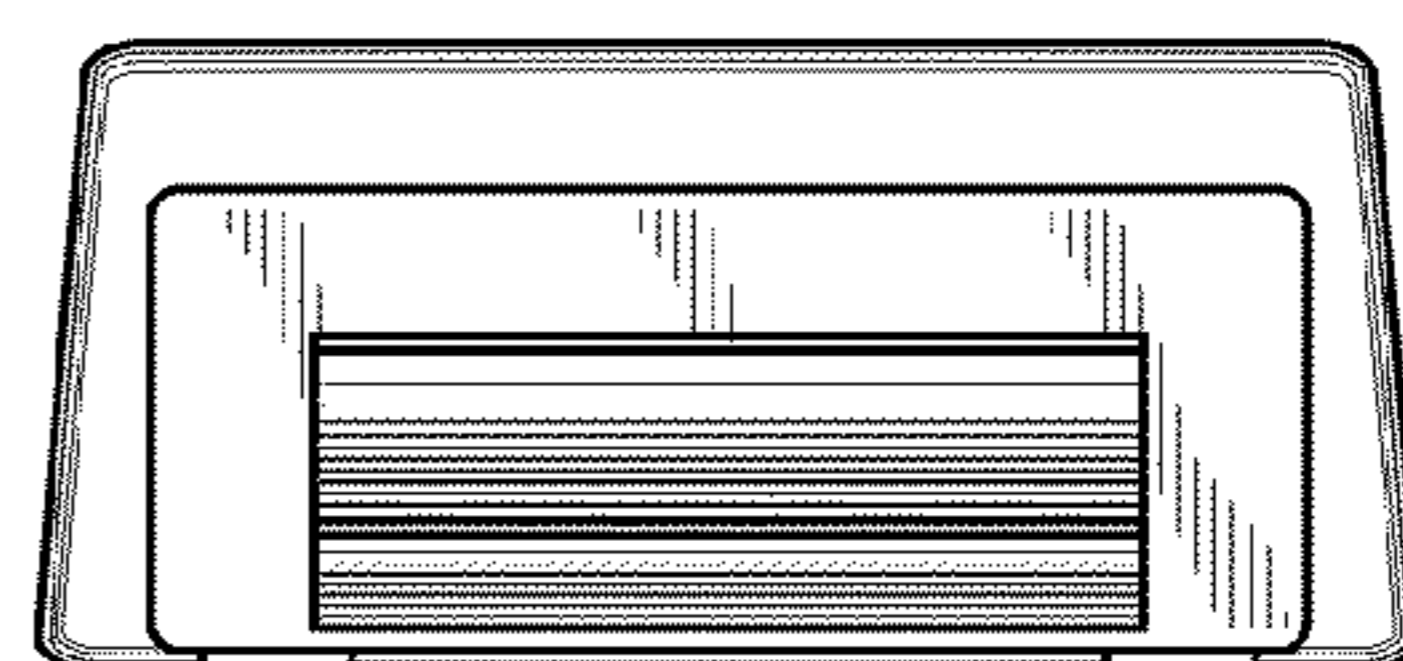


Fig.5