



US00D731326S

(12) **United States Design Patent**
Johansson

(10) **Patent No.:** **US D731,326 S**
(45) **Date of Patent:** **** Jun. 9, 2015**

(54) **PACKAGE FOR DRILLS**

(71) Applicant: **Henrik Johansson**, Partille (SE)

(72) Inventor: **Henrik Johansson**, Partille (SE)

(73) Assignee: **Dentsply International Inc.**, York, PA (US)

(**) Term: **14 Years**

(21) Appl. No.: **29/436,115**

(22) Filed: **Nov. 1, 2012**

(51) **LOC (10) Cl.** **09-03**

(52) **U.S. Cl.**
USPC **D9/737**; D9/420; D9/425

(58) **Field of Classification Search**
USPC D9/414–432, 748–762, 449, 456, 737;
D7/601, 602, 629; D3/258, 269, 272,
D3/294, 321; 206/484–484.2, 518, 557,
206/459.1, 524.3; 220/287, 556, 241, 242,
220/780, 781, 350
See application file for complete search history.

(56) **References Cited**

U.S. PATENT DOCUMENTS

3,010,569 A 11/1961 Goldman
3,400,873 A * 9/1968 Bessett 206/499
D320,159 S * 9/1991 Wallach D9/415
D320,934 S * 10/1991 Cross et al. D9/415

(Continued)

FOREIGN PATENT DOCUMENTS

DE 19715030 A1 10/1998
DE 10146905 A1 7/2003

(Continued)

OTHER PUBLICATIONS

European Search Report, Application No. 12167150.7, dated Aug. 27, 2012.

Primary Examiner — Mark Goodwin

(74) *Attorney, Agent, or Firm* — David A. Zdurne; Douglas J. Hura; Leana Levin

(57) **CLAIM**

The ornamental design for a package for drills, as shown and described.

DESCRIPTION

FIG. 1 is a top perspective view of a first embodiment of a package for drills in a closed position of the present invention; FIG. 2 is a bottom perspective view of the package for drills shown in FIG. 1;

FIG. 3 is a top view of the package for drills shown in FIG. 1; FIG. 4 is a left side view of the package for drills shown in FIG. 1, the right side view being a mirror view of the left side; FIG. 5 is a bottom view of the package for drills shown in FIG. 1;

FIG. 6 is a rearward view of the package for drills shown in FIG. 1;

FIG. 7 is a front view of the package for drills shown in FIG. 1;

FIG. 8 is a top perspective view of a second embodiment of the package for drills in an open position of the present invention;

FIG. 9 is a bottom perspective view of the package for drills shown in FIG. 8;

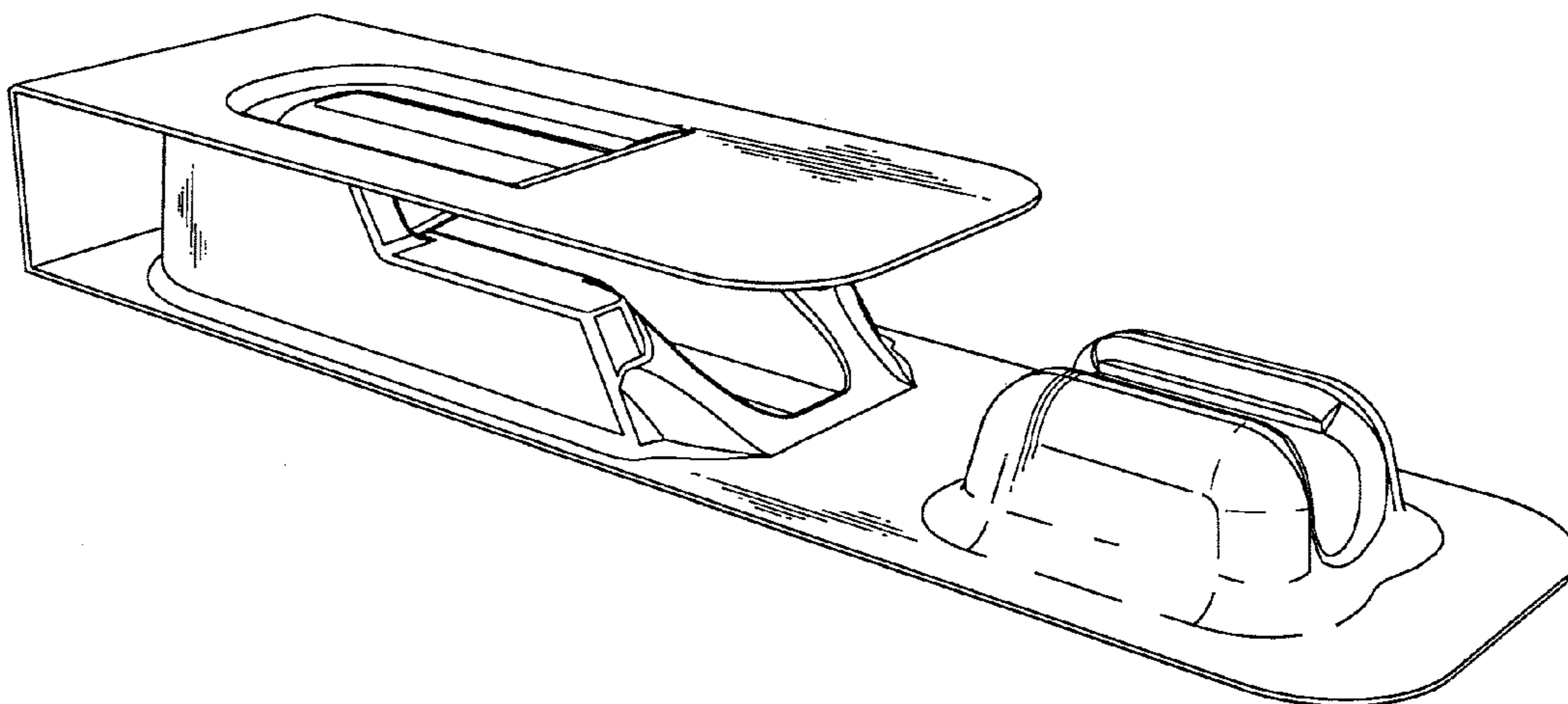
FIG. 10 is a top view of the package for drills shown in FIG. 8;

FIG. 11 is a bottom view of the package for drills shown in FIG. 8;

FIG. 12 is a left side view of the package for drills shown in FIG. 8, the right side view being a mirror view of the left side; FIG. 13 is a front view of the package for drills shown in FIG. 8; and,

FIG. 14 is a rearward view of the package for drills shown in FIG. 8.

1 Claim, 12 Drawing Sheets



(56)

References Cited

U.S. PATENT DOCUMENTS

D387,275 S * 12/1997 Hamilton et al. D9/423
D394,806 S * 6/1998 Budert D9/415
5,842,567 A * 12/1998 Rowe et al. 206/364
D419,439 S * 1/2000 Markovsky et al. D9/415
D420,578 S * 2/2000 Plumer D9/415
D472,140 S * 3/2003 Yang D9/415
D472,389 S * 4/2003 Vasudeva D3/315
D476,227 S * 6/2003 Pratt D9/415
D480,301 S * 10/2003 Pratt D9/415

D507,175 S * 7/2005 Moskovich et al. D9/415
D557,136 S 12/2007 Bengtzelius et al.
D580,788 S * 11/2008 Scholefield D9/756
2011/0056850 A1 3/2011 Guenter et al.

FOREIGN PATENT DOCUMENTS

DE 102005022385 A1 11/2006
DE 102007005515 B3 8/2008
DE 202011105720 U1 11/2011

* cited by examiner

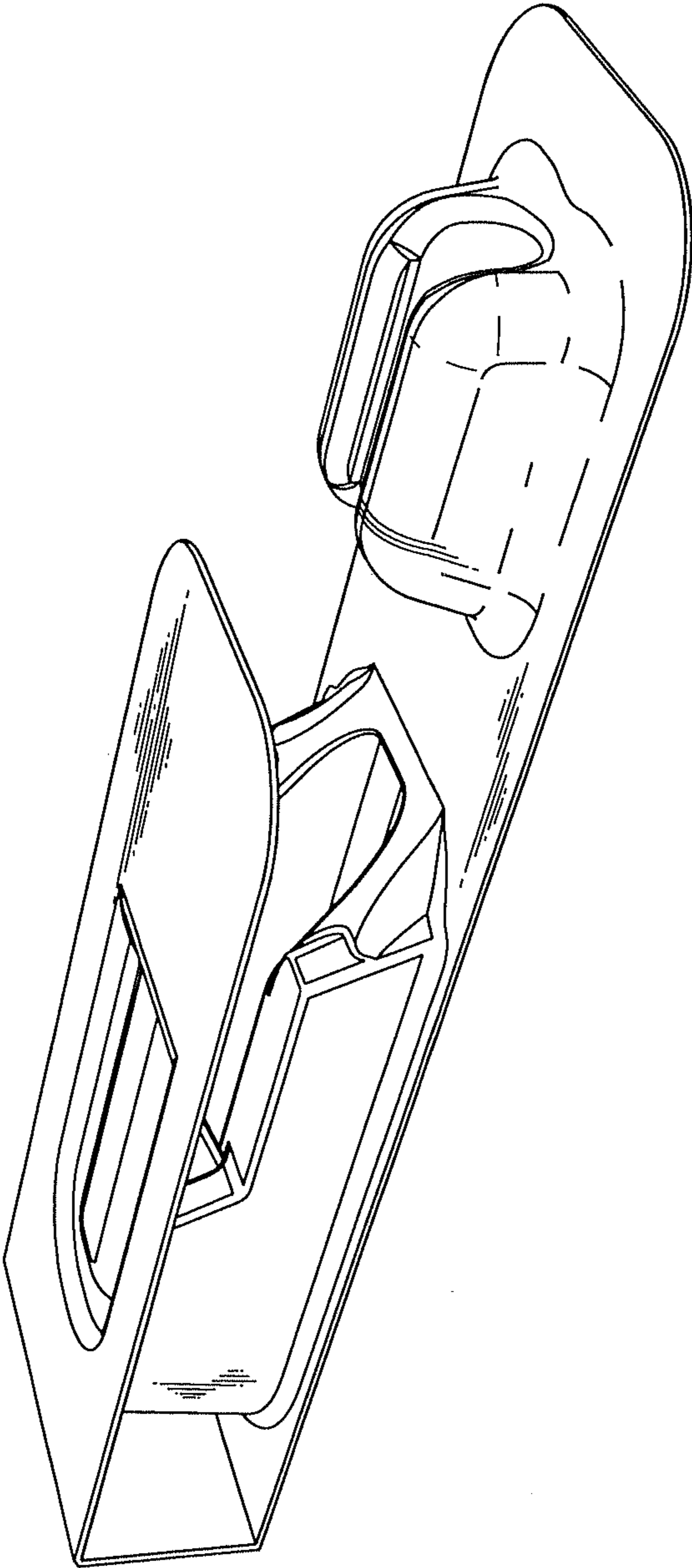


Figure 1

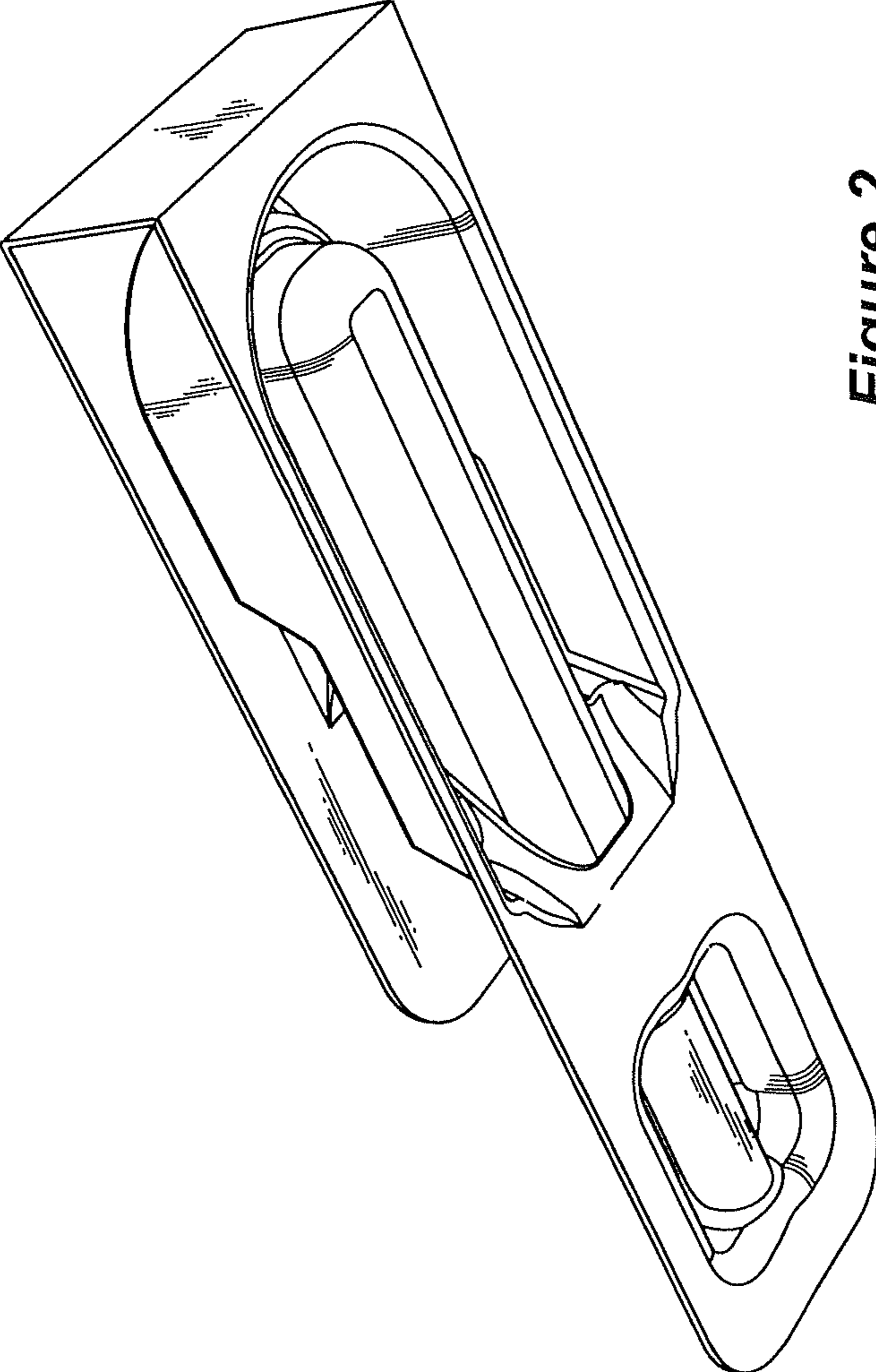


Figure 2

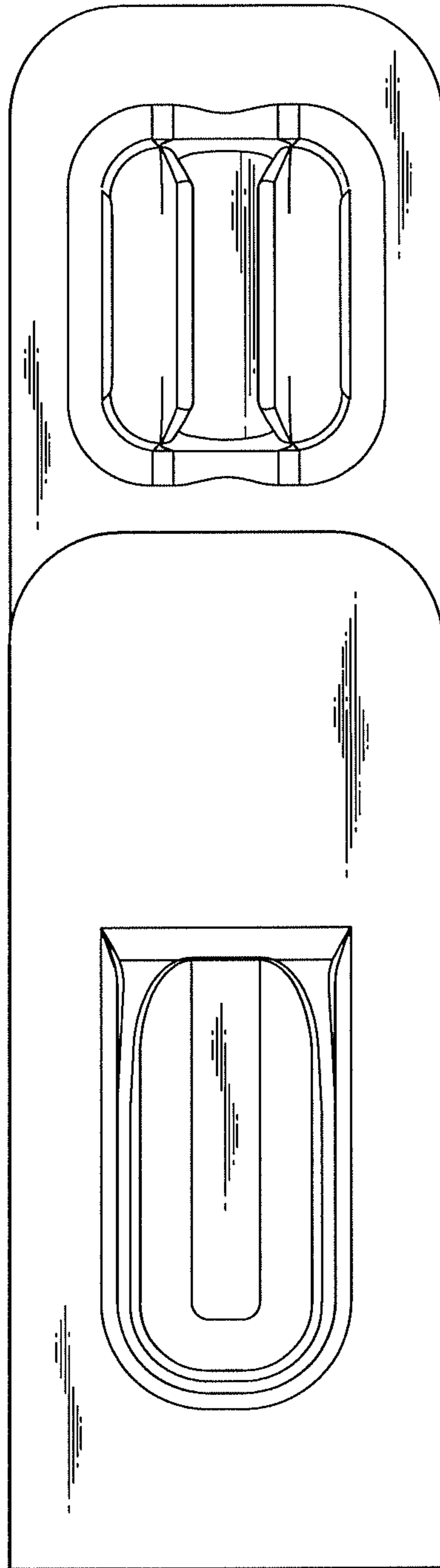


Figure 3

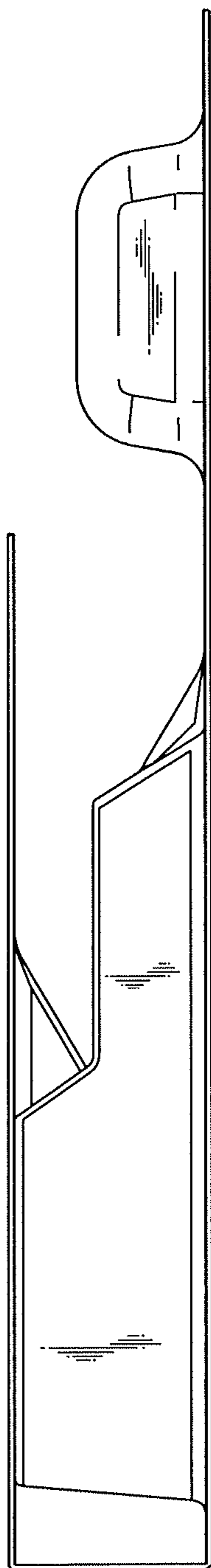


Figure 4

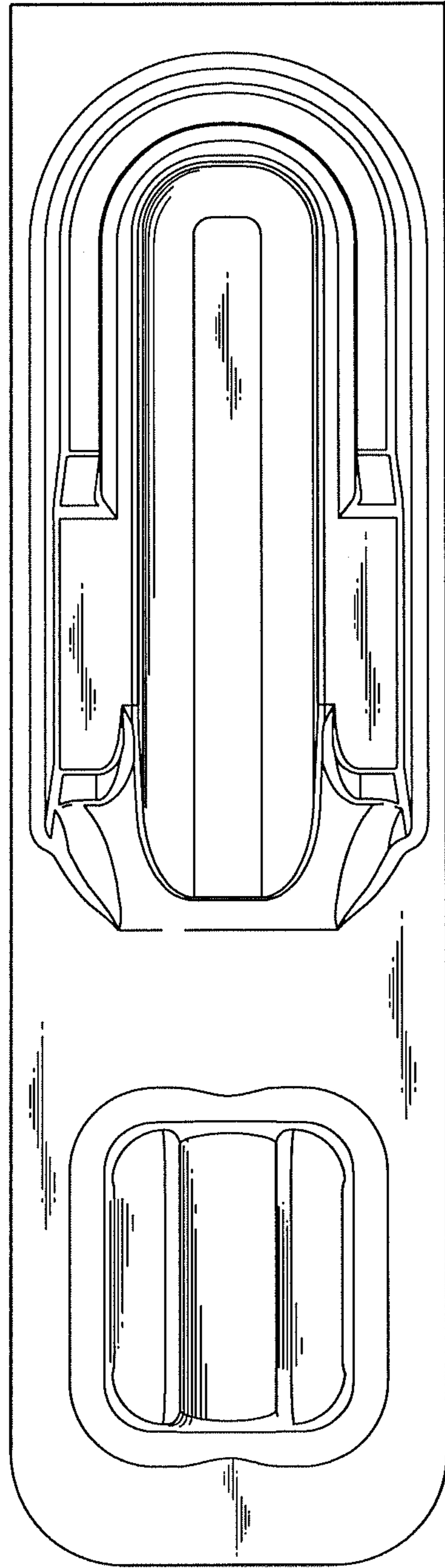


Figure 5

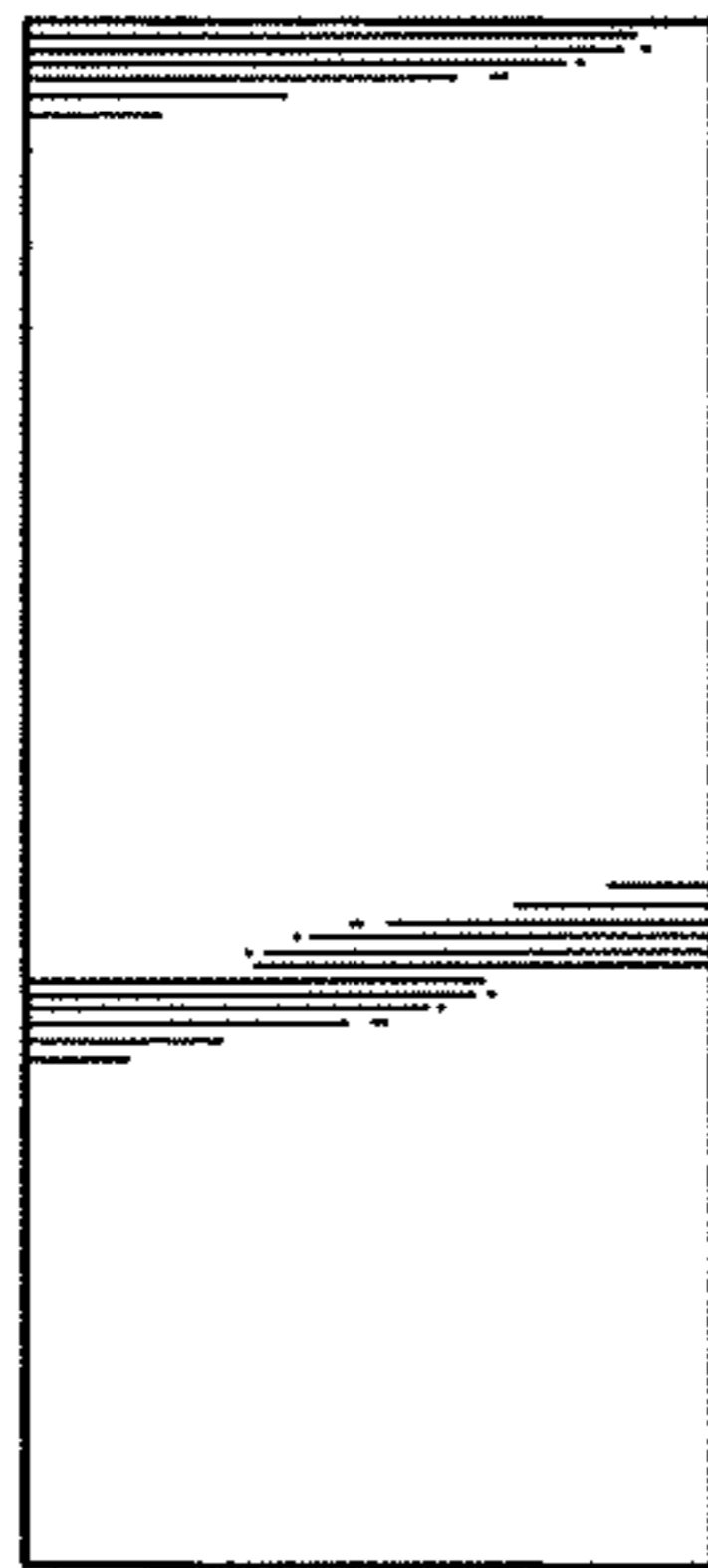


Figure 6

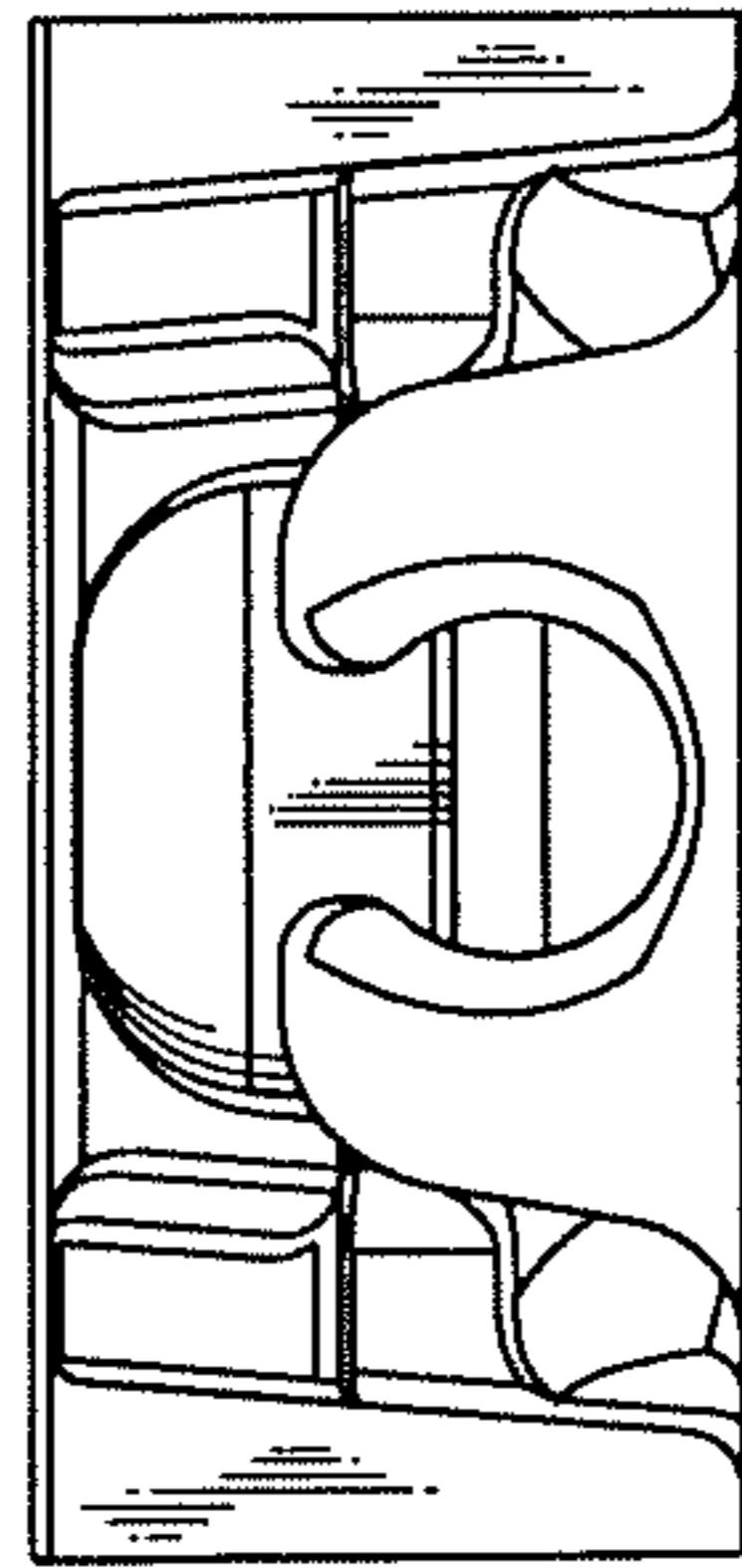


Figure 7

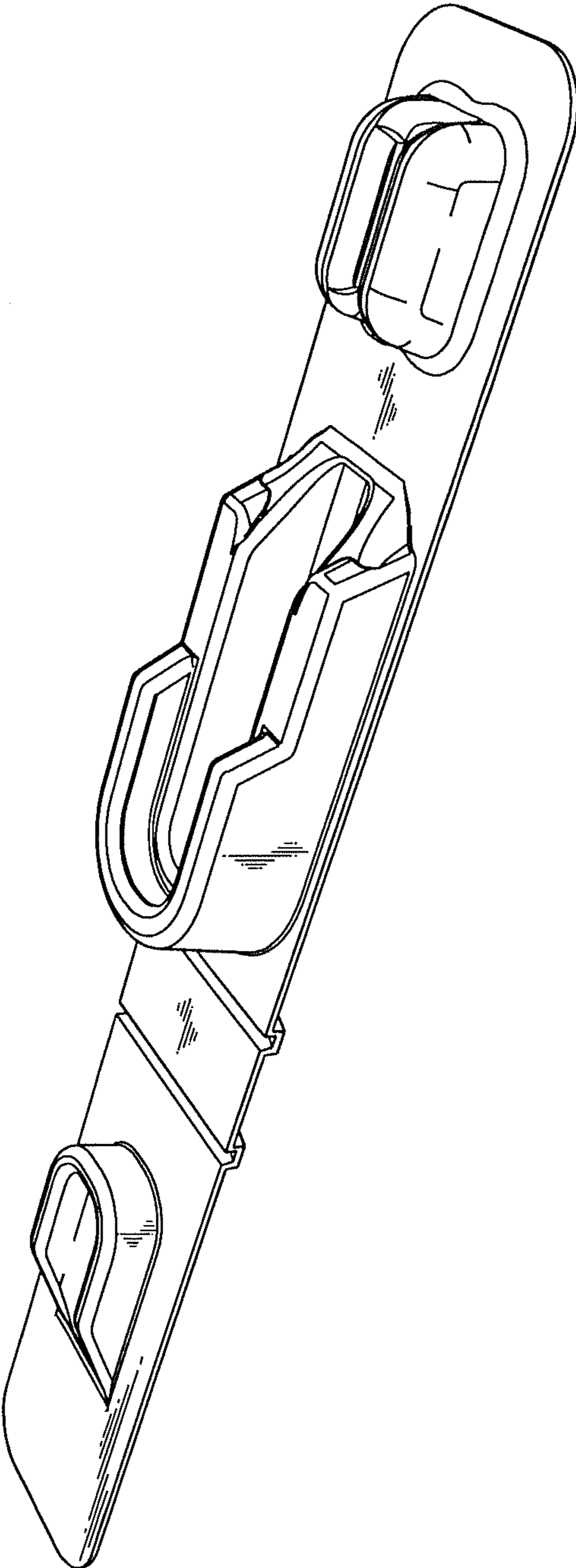


Figure 8

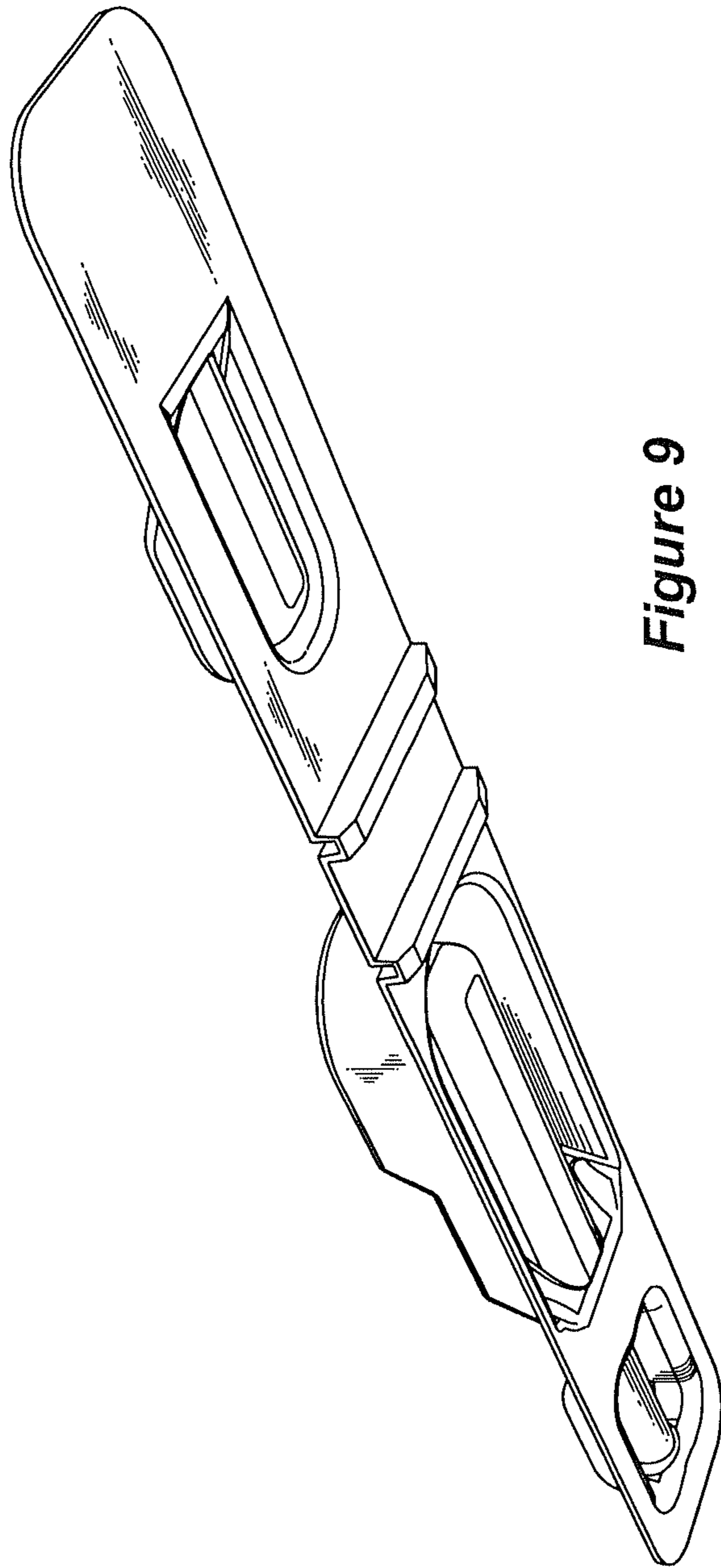


Figure 9

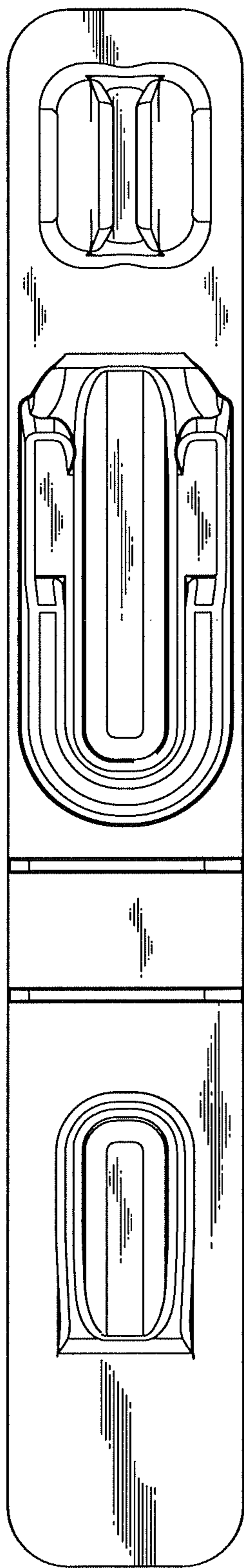


Figure 10

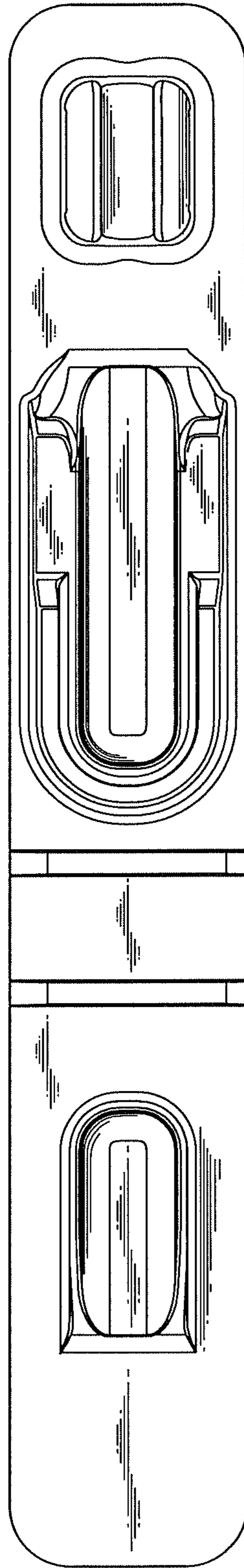


Figure 11

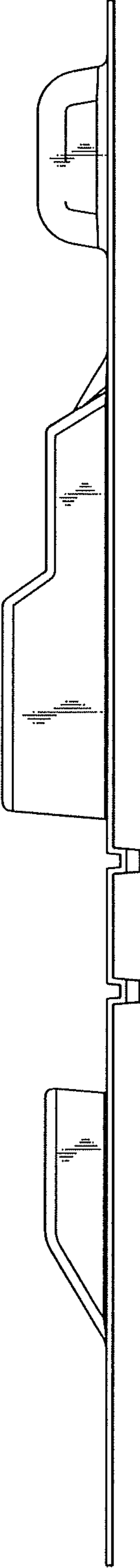


Figure 12

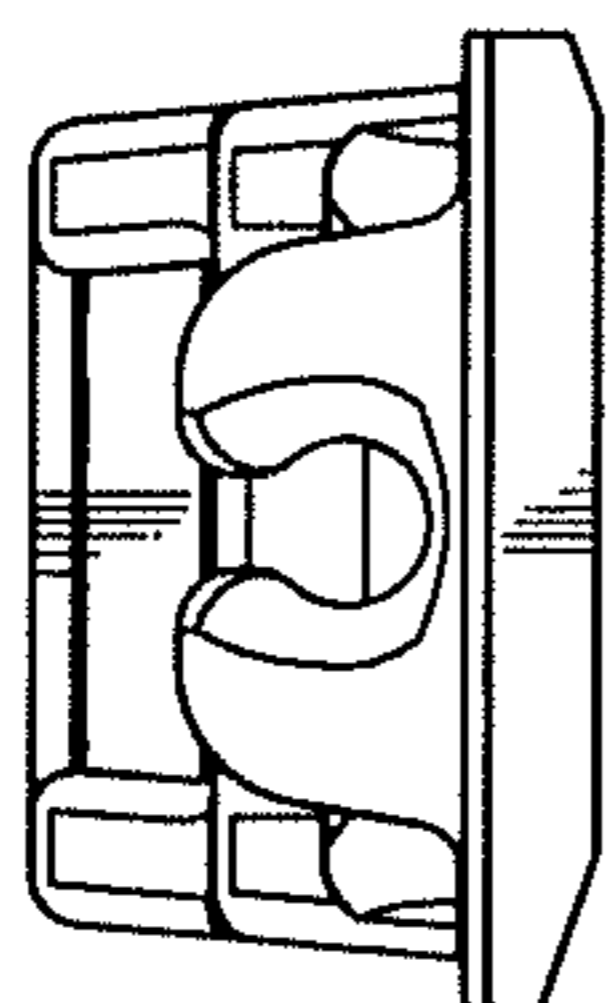


Figure 13

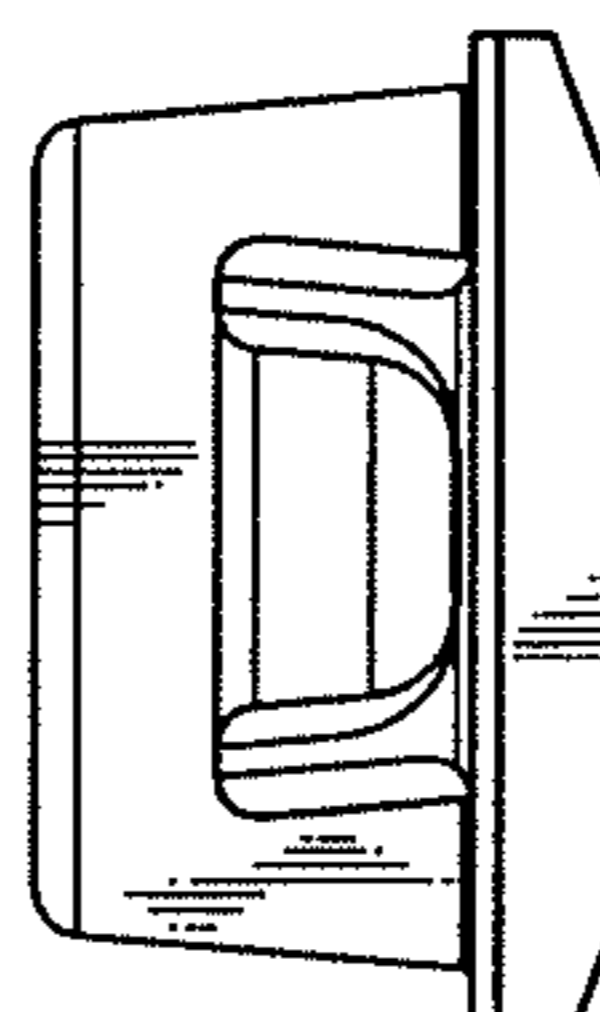


Figure 14