



US00D731325S

(12) **United States Design Patent**  
**Loessin**

(10) **Patent No.:** **US D731,325 S**  
(45) **Date of Patent:** **\*\* Jun. 9, 2015**

(54) **PACKAGING**

(75) Inventor: **Lone Loessin, Ishøj (DK)**

(73) Assignee: **LEO LABORATORIES LIMITED,**  
Dublin (IE)

(\*\*) Term: **14 Years**

(21) Appl. No.: **29/414,392**

(22) Filed: **Feb. 28, 2012**

(51) **LOC (10) Cl.** ..... **09-03**

(52) **U.S. Cl.**  
USPC ..... **D9/737**

(58) **Field of Classification Search**  
USPC ..... D9/414, 415, 418, 423, 432, 434, 701,  
D9/721, 730, 731, 732, 733, 734, 737, 750,  
D9/759; D7/553.1, 707; D24/227, 228,  
D24/229, 230; 206/45.28, 214, 232;  
273/292; 493/187; D27/187, 189;  
D3/205, 272, 307; D6/515; 426/119  
See application file for complete search history.

(56) **References Cited**

**U.S. PATENT DOCUMENTS**

4,925,035	A	*	5/1990	Hunninghaus	.....	426/119
D335,819	S	*	5/1993	Campbell	.....	D9/721
D343,353	S	*	1/1994	Campbell	.....	D9/721
D374,946	S	*	10/1996	Meurlin	.....	D27/189
D385,653	S	*	10/1997	Wicker	.....	D27/187
D385,781	S	*	11/1997	Levine et al.	.....	D9/737
D409,329	S	*	5/1999	Bucher et al.	.....	D27/189
D416,105	S	*	11/1999	Garrison et al.	.....	D27/189
6,070,717	A	*	6/2000	Philipson et al.	.....	206/45.28
D513,699	S	*	1/2006	Eide	.....	D3/307

D563,219	S	*	3/2008	Okin et al.	.....	D9/423
D568,765	S	*	5/2008	Miles	.....	D9/737
D590,708	S	*	4/2009	Maguire et al.	.....	D9/432
D592,047	S	*	5/2009	Glass	.....	D9/423
D593,409	S	*	6/2009	Blick	.....	D9/432
D594,742	S	*	6/2009	Meier et al.	.....	D9/432
D606,857	S	*	12/2009	Stewart	.....	D9/432
D610,447	S	*	2/2010	Seum et al.	.....	D9/418
D638,307	S	*	5/2011	Rossi et al.	.....	D9/721
D643,306	S	*	8/2011	Martinez et al.	.....	D9/721

\* cited by examiner

*Primary Examiner* — Eric Goodman

*Assistant Examiner* — Bao-Yen Nguyen

(74) *Attorney, Agent, or Firm* — Westerman, Hattori,  
Daniels & Adrian, LLP

(57) **CLAIM**

The ornamental design for packaging, as shown and described.

**DESCRIPTION**

FIG. 1 is a front perspective view showing my new design for packaging,

FIG. 2 is a rear perspective view thereof,

FIG. 3 is a top view thereof,

FIG. 4 is a bottom view thereof,

FIG. 5 is a front view thereof,

FIG. 6 is a rear view thereof,

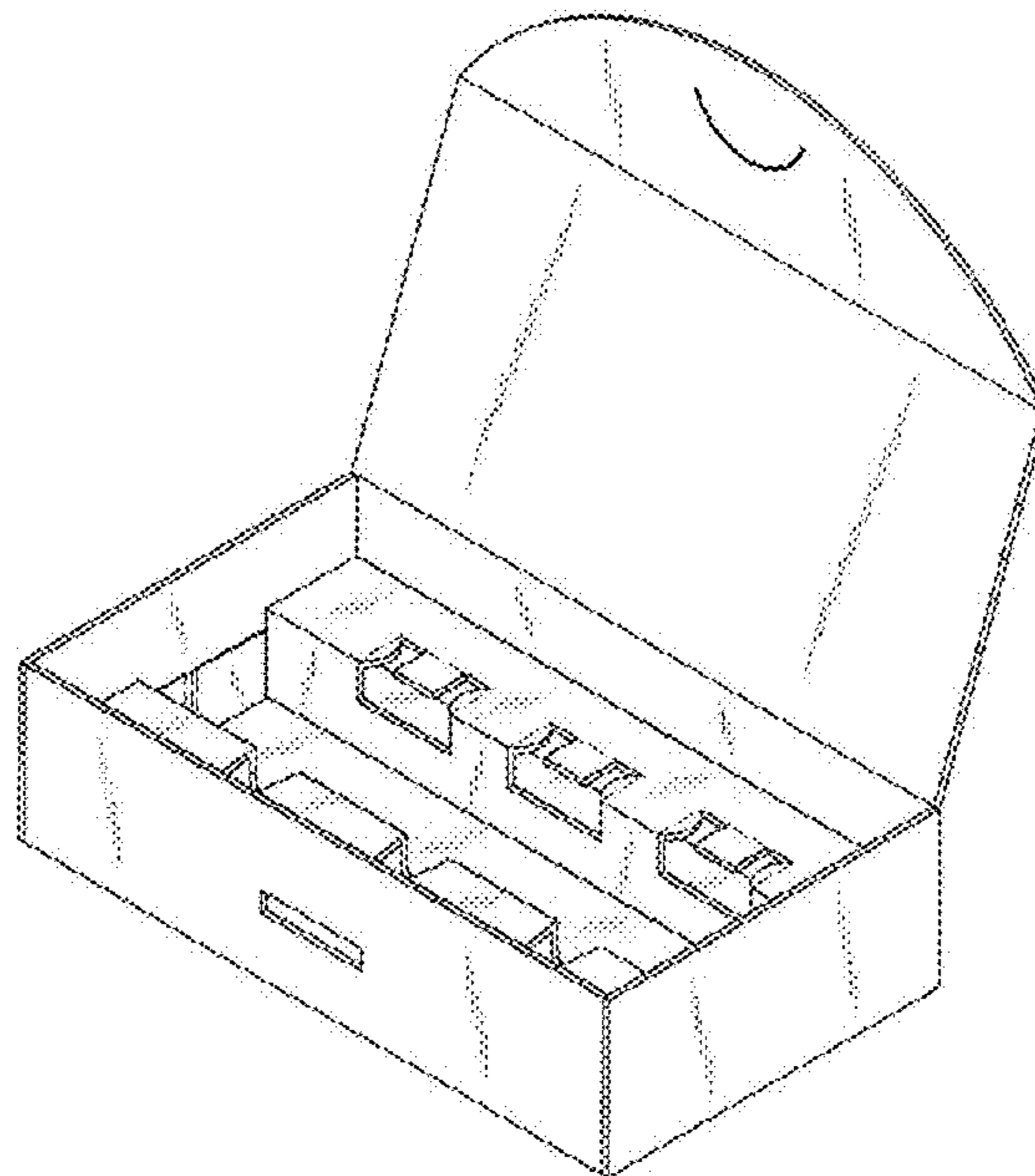
FIG. 7 is a left side view thereof,

FIG. 8 is a right side view thereof; and,

FIG. 9 is a front perspective view with a closing flap secured in a closed position.

The portions of the design shown in broken lines are portions of the drawings that represent unclaimed environment.

**1 Claim, 7 Drawing Sheets**



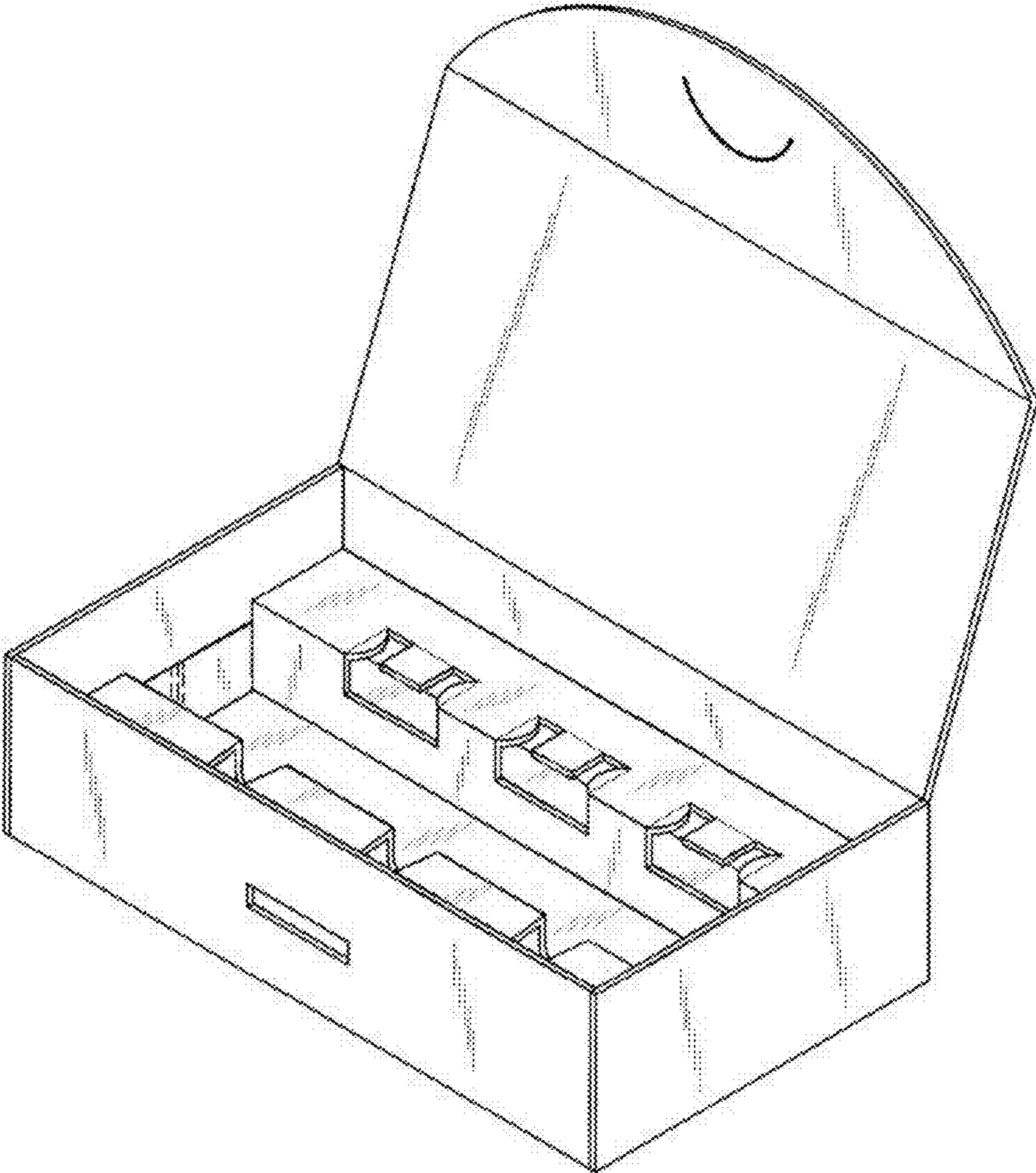


FIG. 1

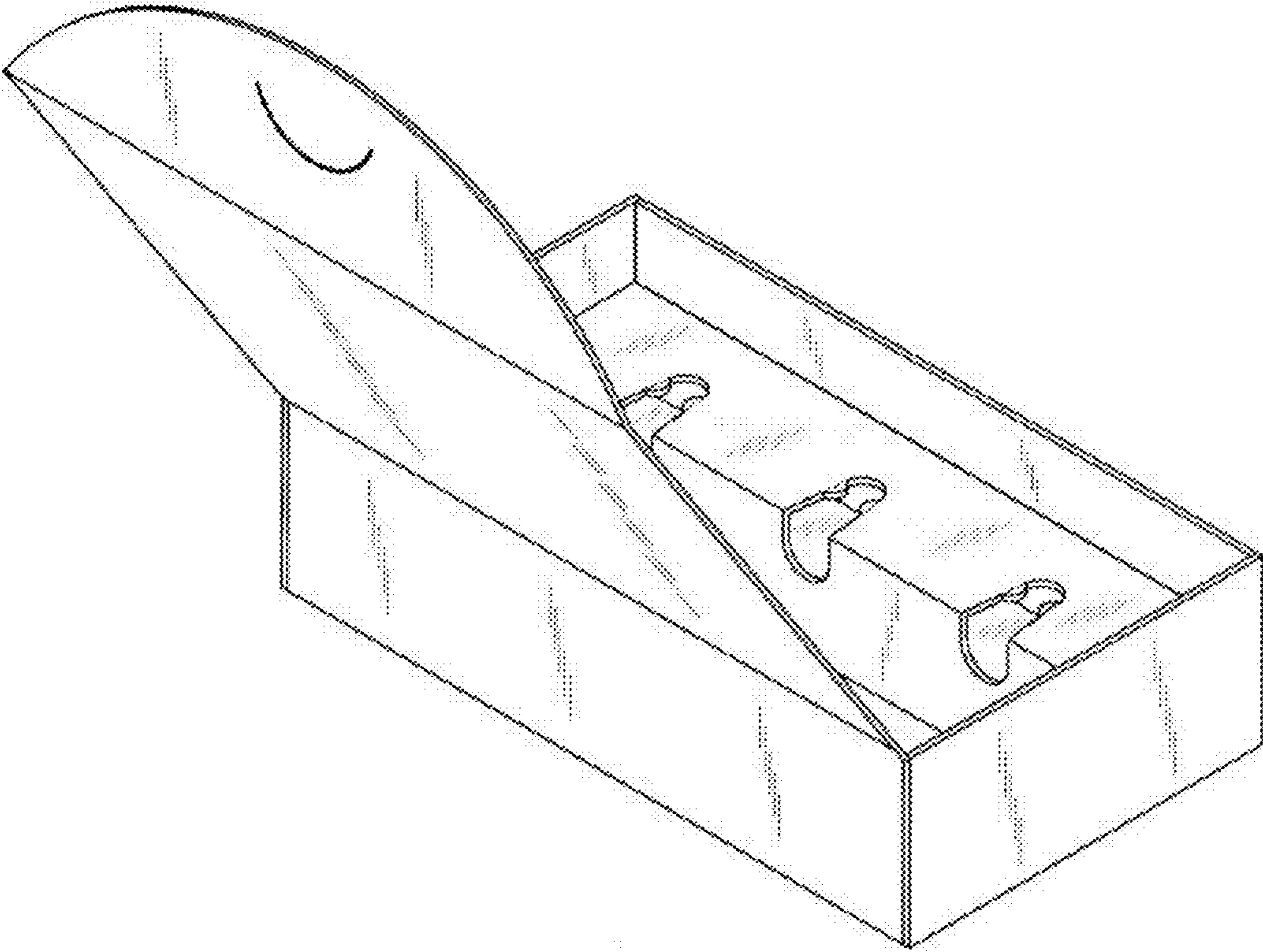


FIG. 2

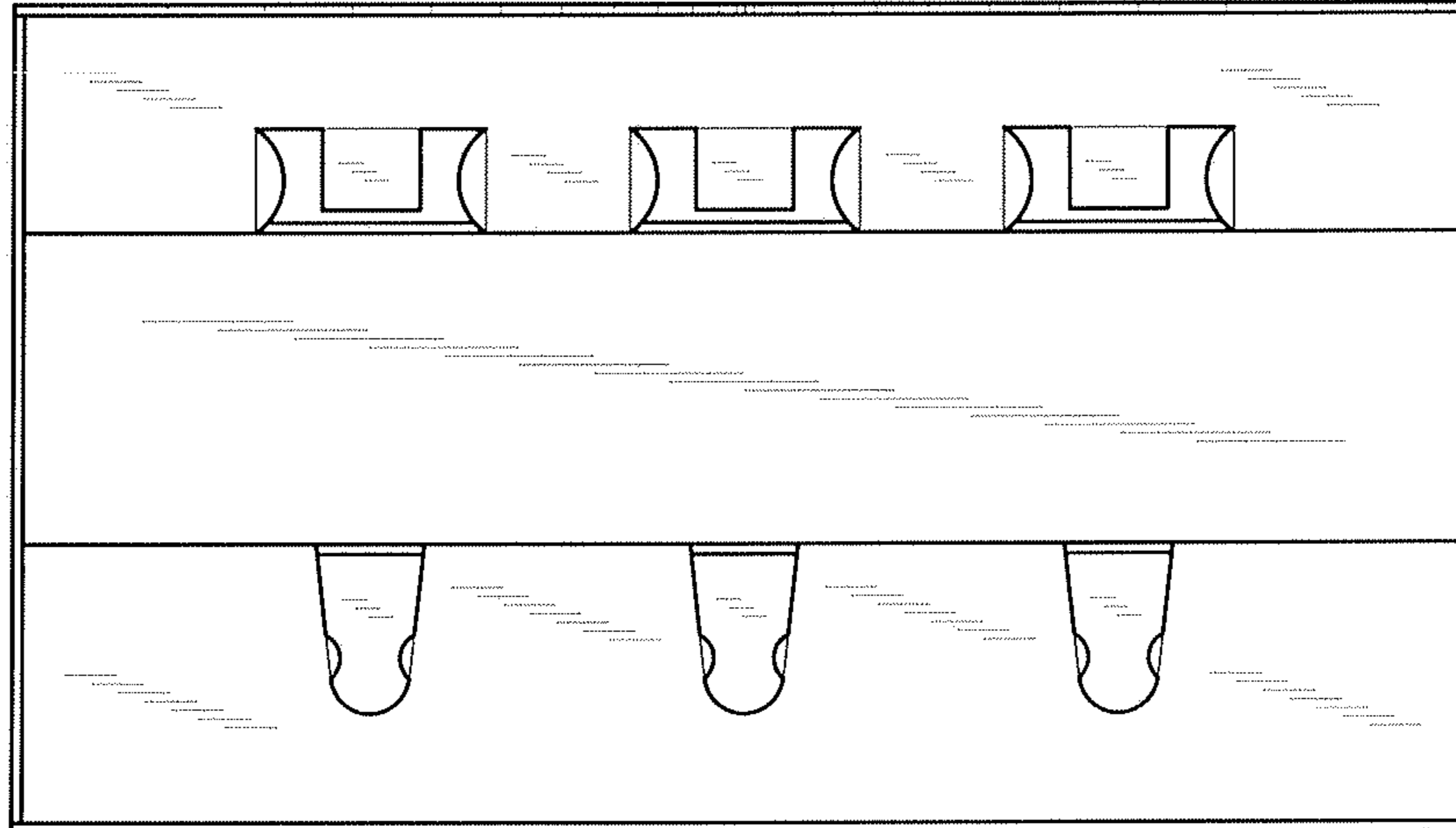


FIG. 3

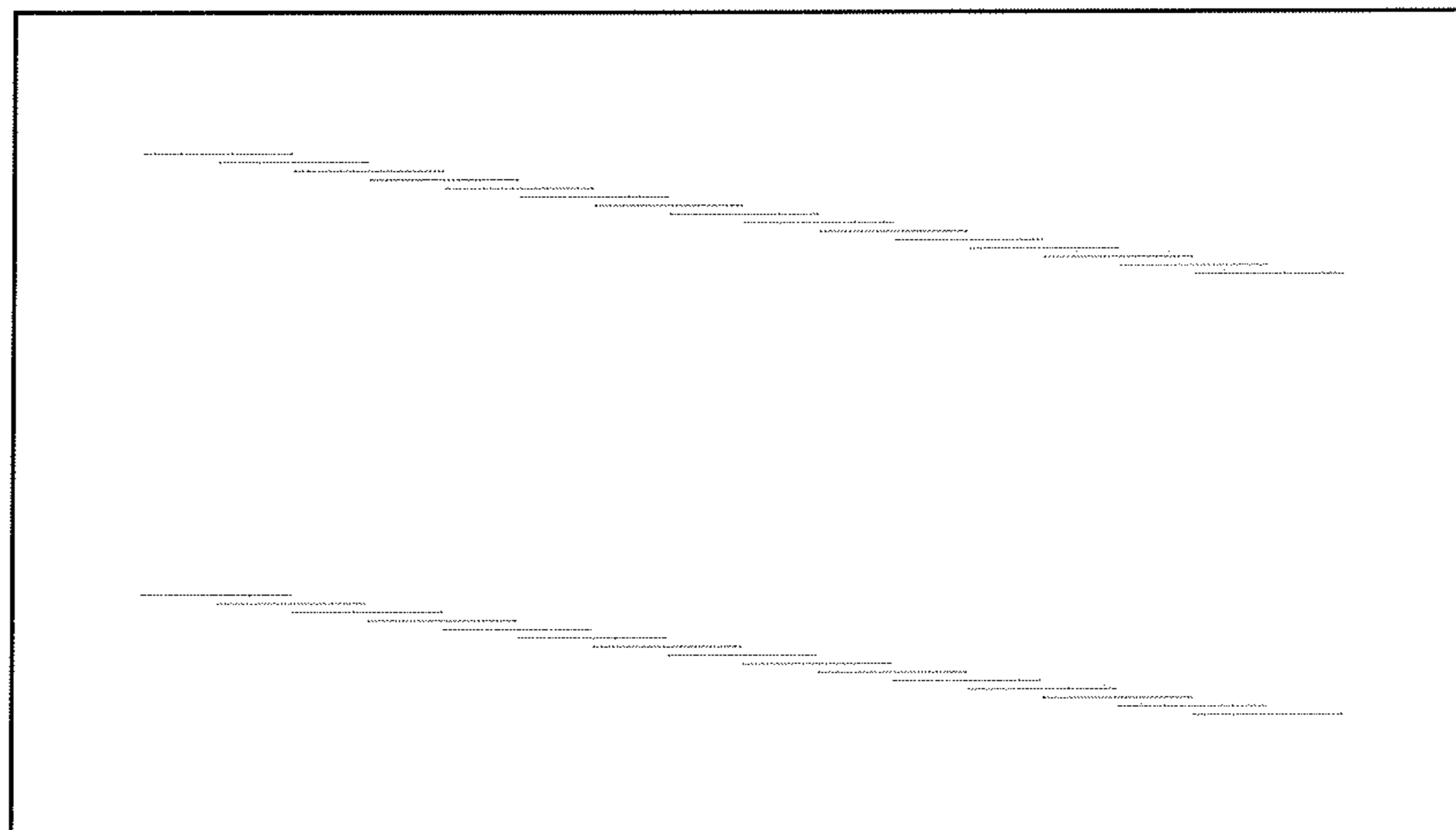


FIG. 4

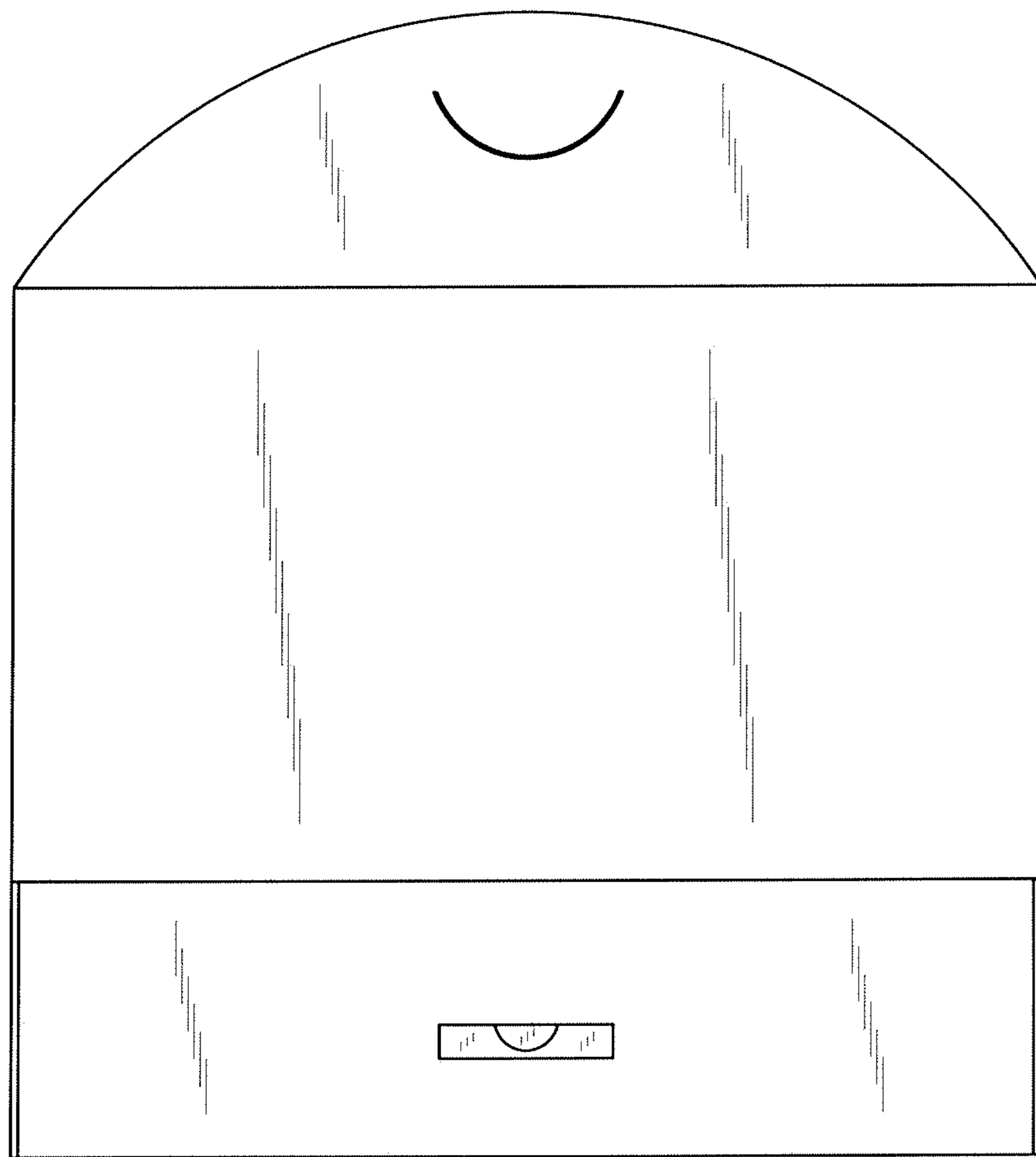


FIG. 5

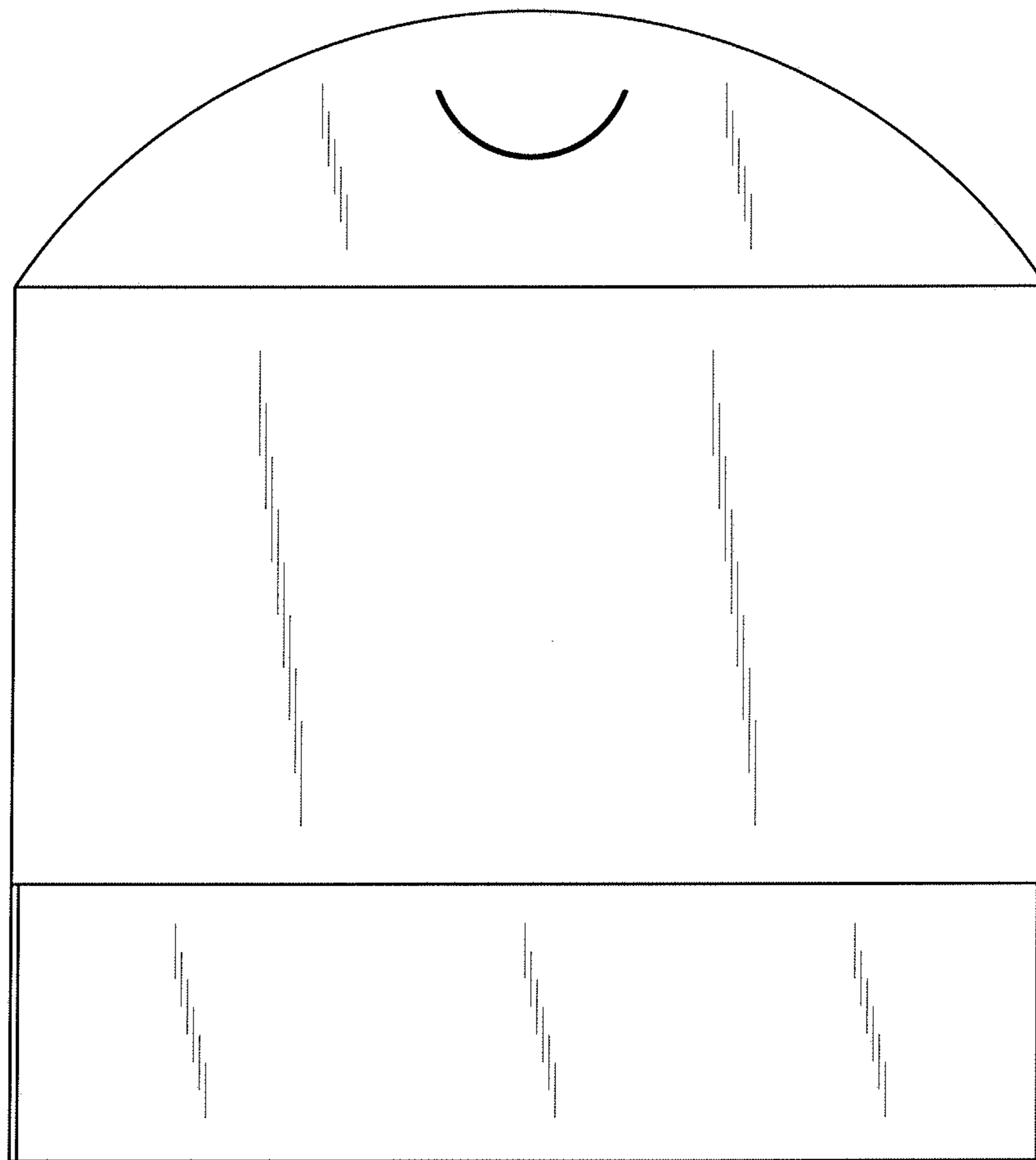


FIG. 6

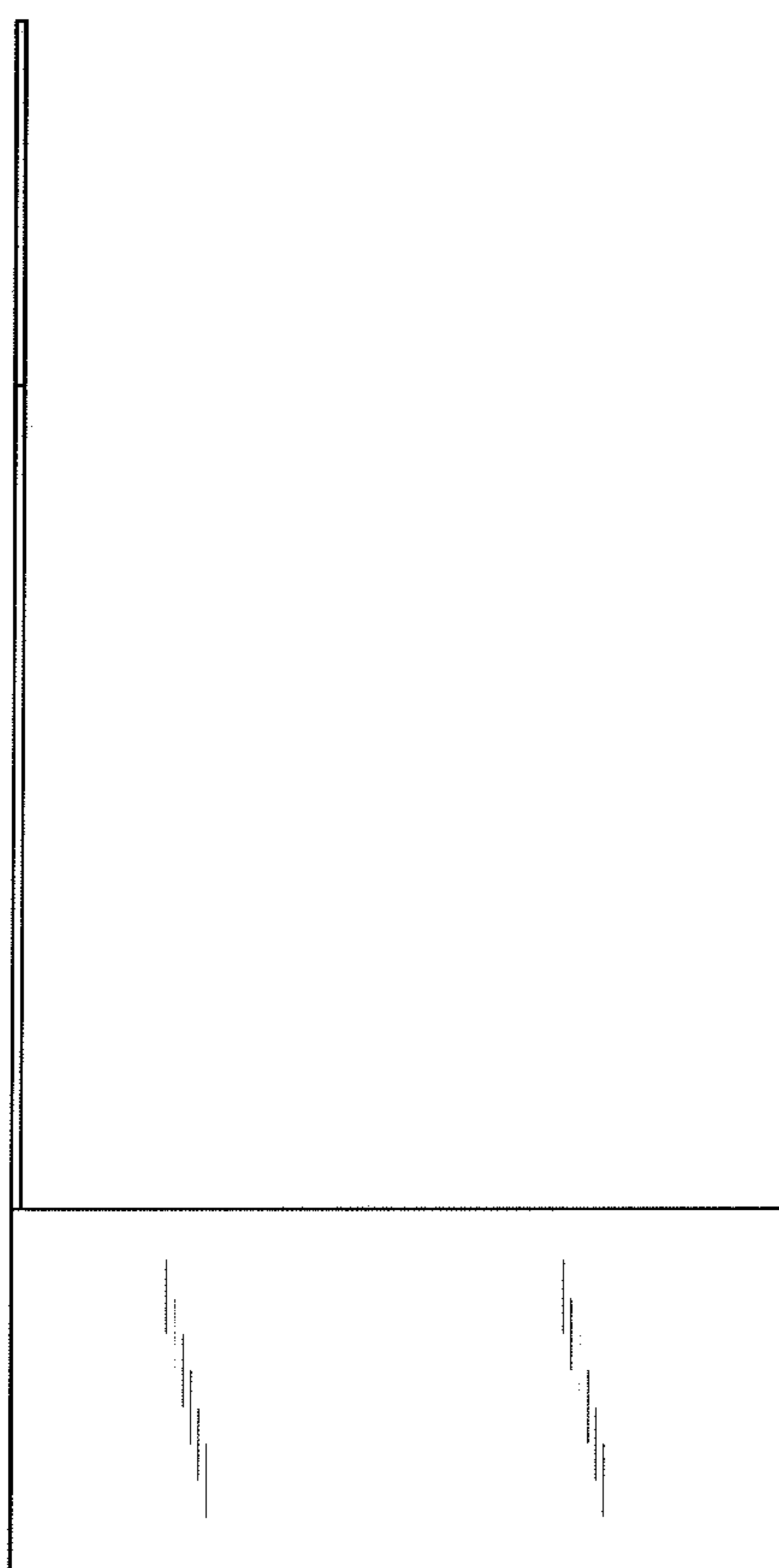


FIG. 7



FIG. 8

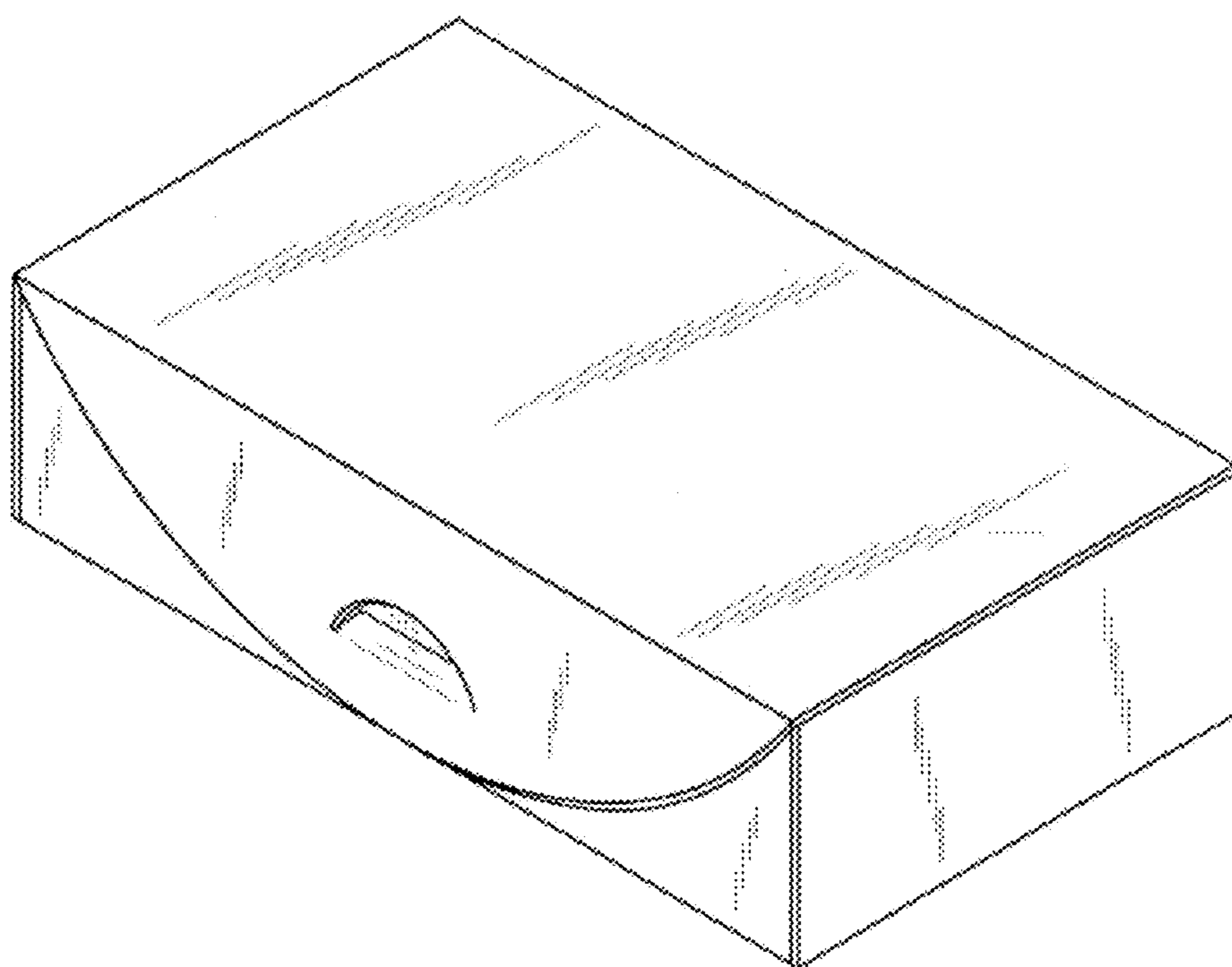


FIG. 9