

US00D731320S

(12) **United States Design Patent**  
**Faye**

(10) **Patent No.:** **US D731,320 S**  
(45) **Date of Patent:** **\*\* Jun. 9, 2015**

(54) **CONTAINER**

(71) Applicant: **Pets to Paradise**, Los Angeles, CA (US)

(72) Inventor: **Alan Milne Faye**, Los Angeles, CA (US)

(73) Assignee: **PETS TO PARADISE**, Los Angeles,  
CA (US)

(\*\*) Term: **14 Years**

(21) Appl. No.: **29/476,913**

(22) Filed: **Dec. 18, 2013**

(51) **LOC (10) Cl.** ..... **09-01**

(52) **U.S. Cl.**  
USPC ..... **D9/602**

(58) **Field of Classification Search**  
USPC ..... D9/600–607, 614, 616, 620, 623,  
D9/625–628, 700–704, 414–418,  
D9/430–434; 229/116.1, 116.2, 117.16,  
229/117.24, 117.25, 162.1, 162.3, 238;  
206/223, 232, 233, 457; D11/162;  
D21/606–608; D3/270–271.3,  
D3/234–236  
CPC ..... B65D 67/00

See application file for complete search history.

(56) **References Cited**

U.S. PATENT DOCUMENTS

D89,337 S *	2/1933	Gorton, Jr. ....	D9/604
D178,931 S *	10/1956	Perkins .....	D9/603
D316,437 S *	4/1991	Peyton .....	D21/606
D348,830 S *	7/1994	Bertolini .....	D9/602
D411,463 S *	6/1999	Saputo .....	D9/603
7,441,366 B2 *	10/2008	Van Houten et al. ....	D9/602
D622,155 S *	8/2010	Owen et al. ....	D9/606

\* cited by examiner

*Primary Examiner* — Sandra Morris

(74) *Attorney, Agent, or Firm* — Karish & Bjorgum, PC

(57) **CLAIM**

The ornamental design for a container, as shown and described.

**DESCRIPTION**

FIG. 1 is front left isometric view of the container of the invention.

FIG. 2 is a left side view of the container of FIG. 1.

FIG. 3 is a right side view of the container of FIG. 1.

FIG. 4 is a top view of the container of FIG. 1.

FIG. 5 is a bottom view of the container of FIG. 1.

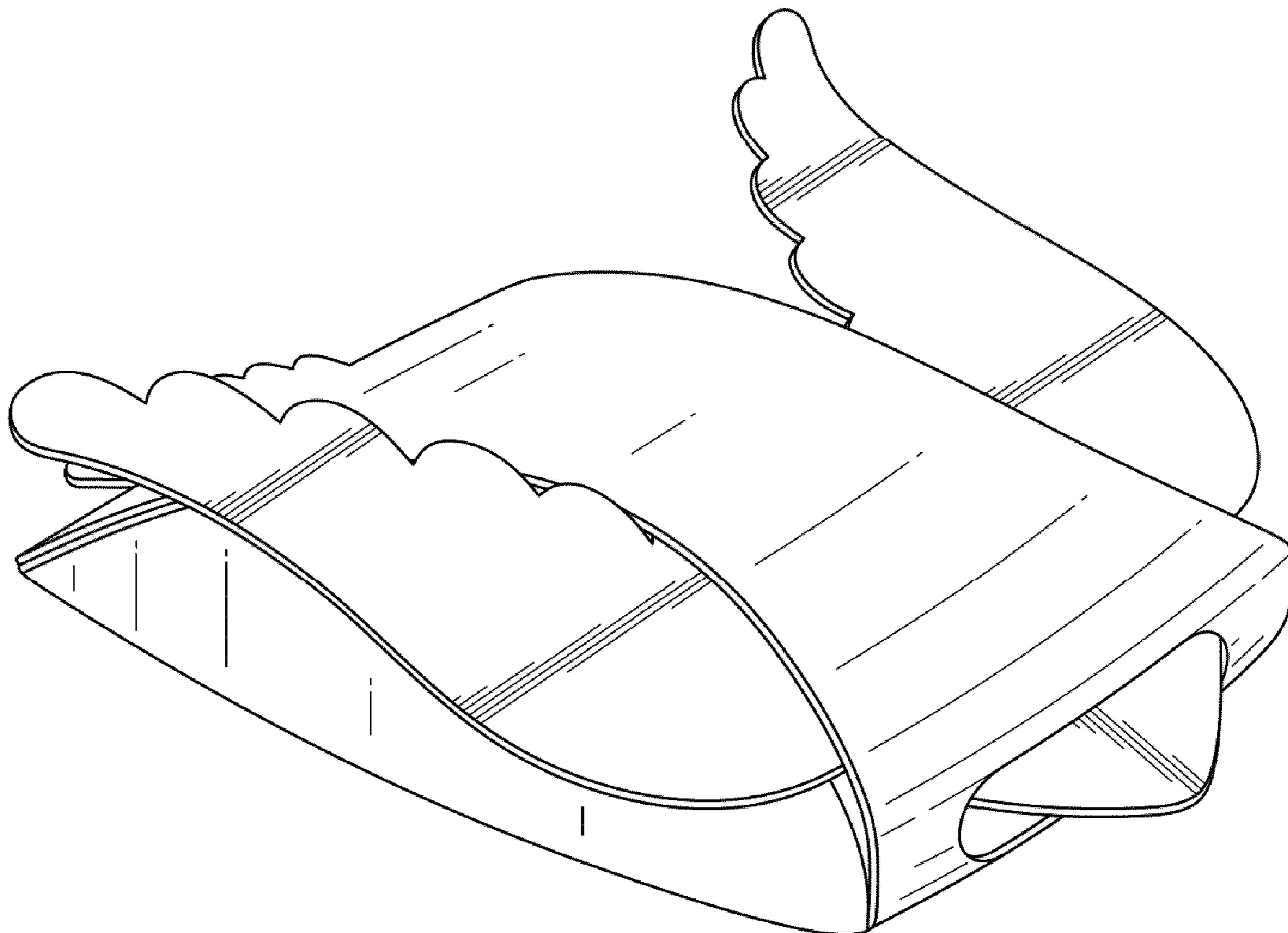
FIG. 6 is front view of the container of FIG. 1.

FIG. 7 is rear view of the container of FIG. 1; and,

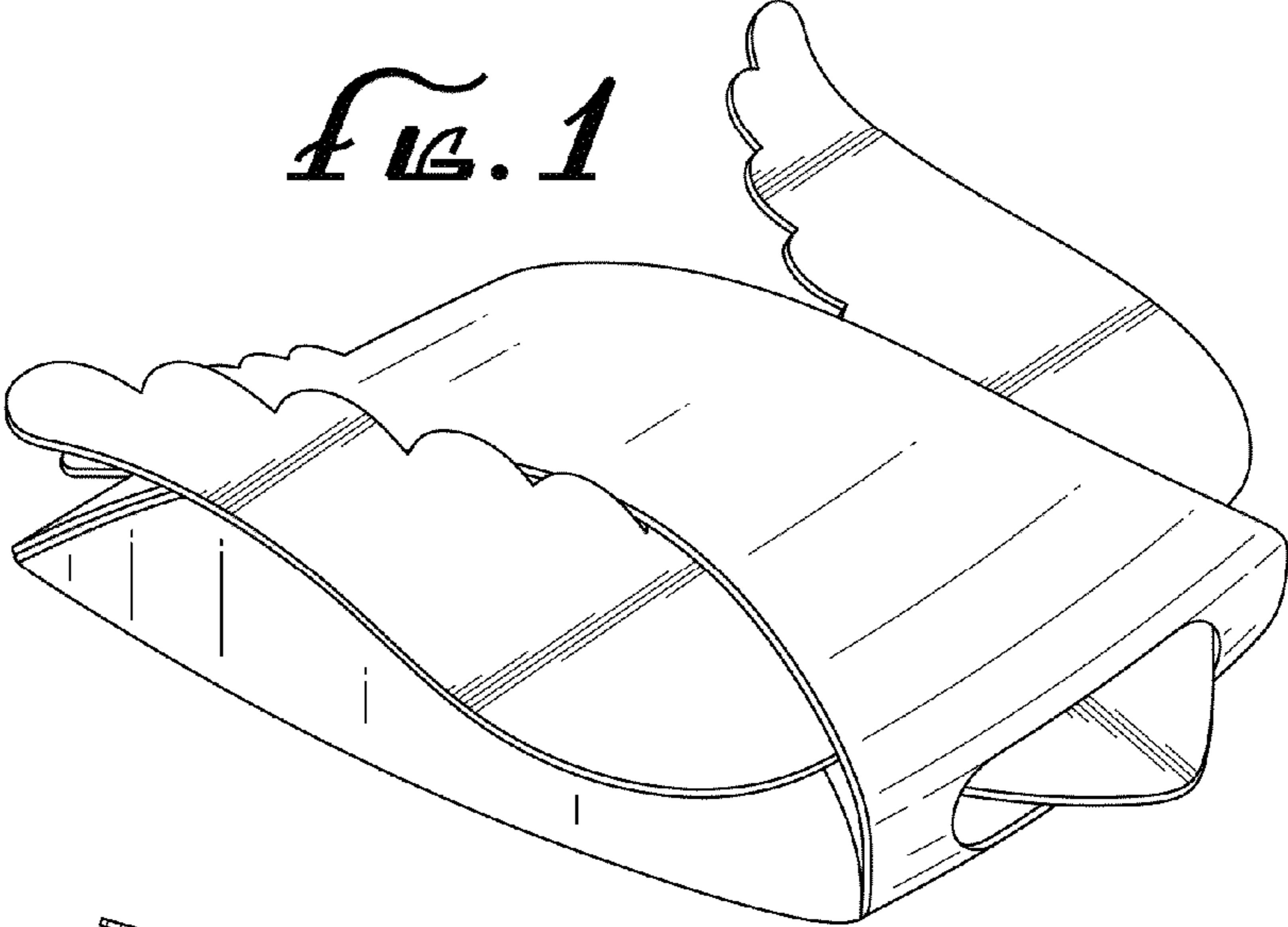
FIG. 8 is a top view of the container of the invention in an unassembled condition.

FIG. 8 is shown in reduced scale to fit on one sheet.

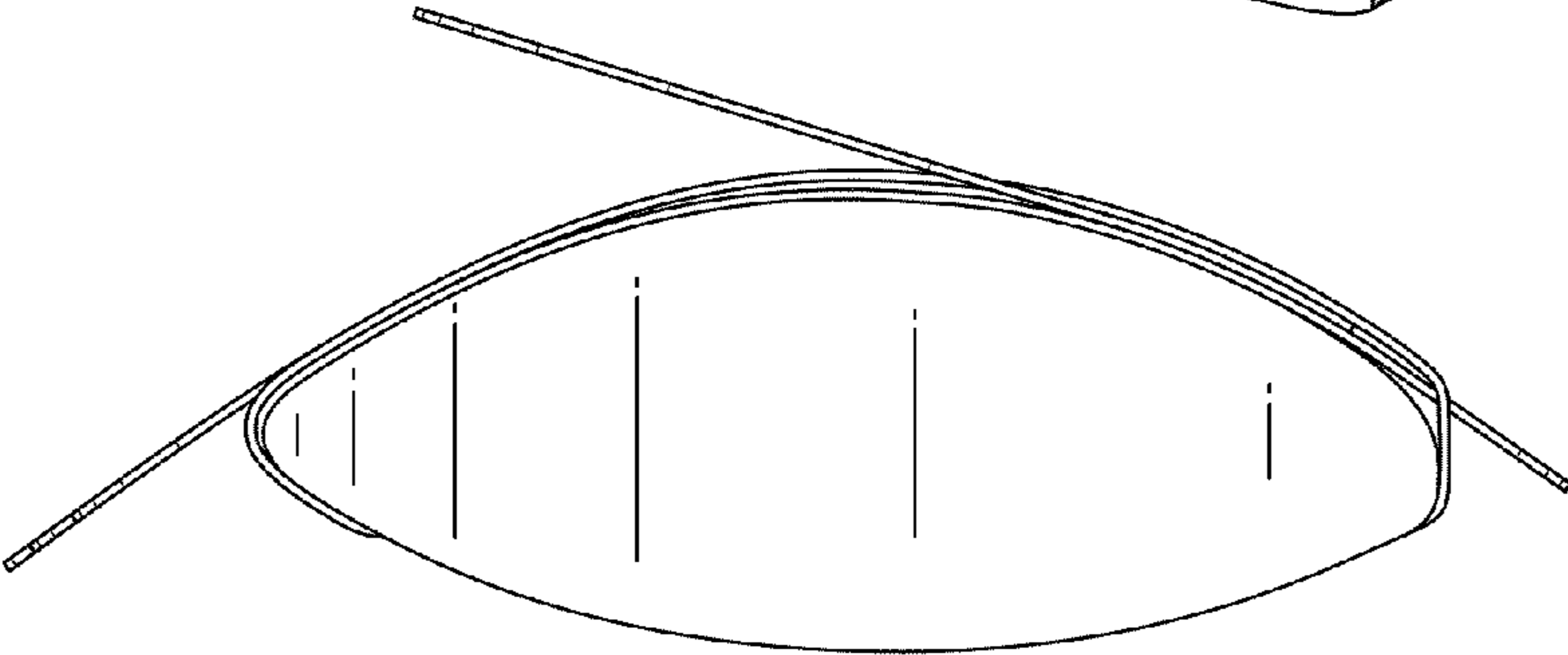
**1 Claim, 4 Drawing Sheets**



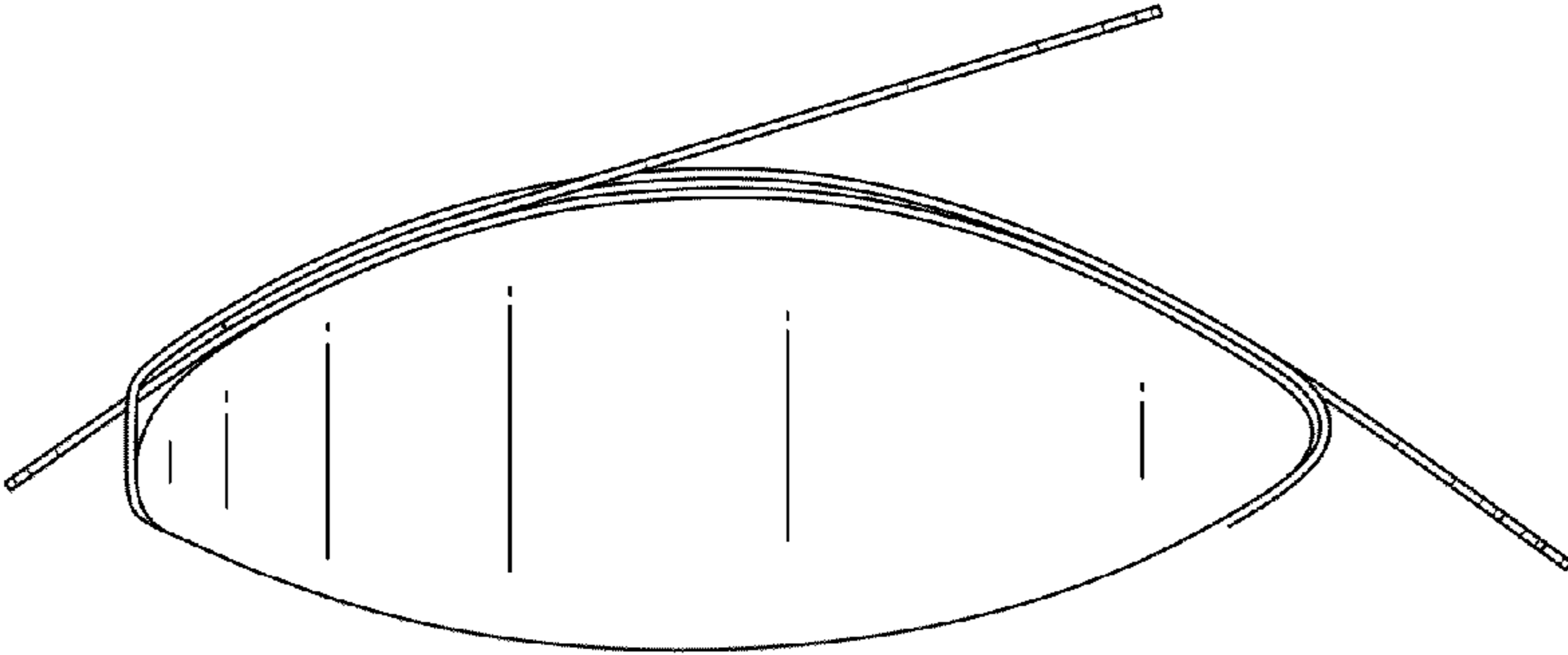
*FIG. 1*

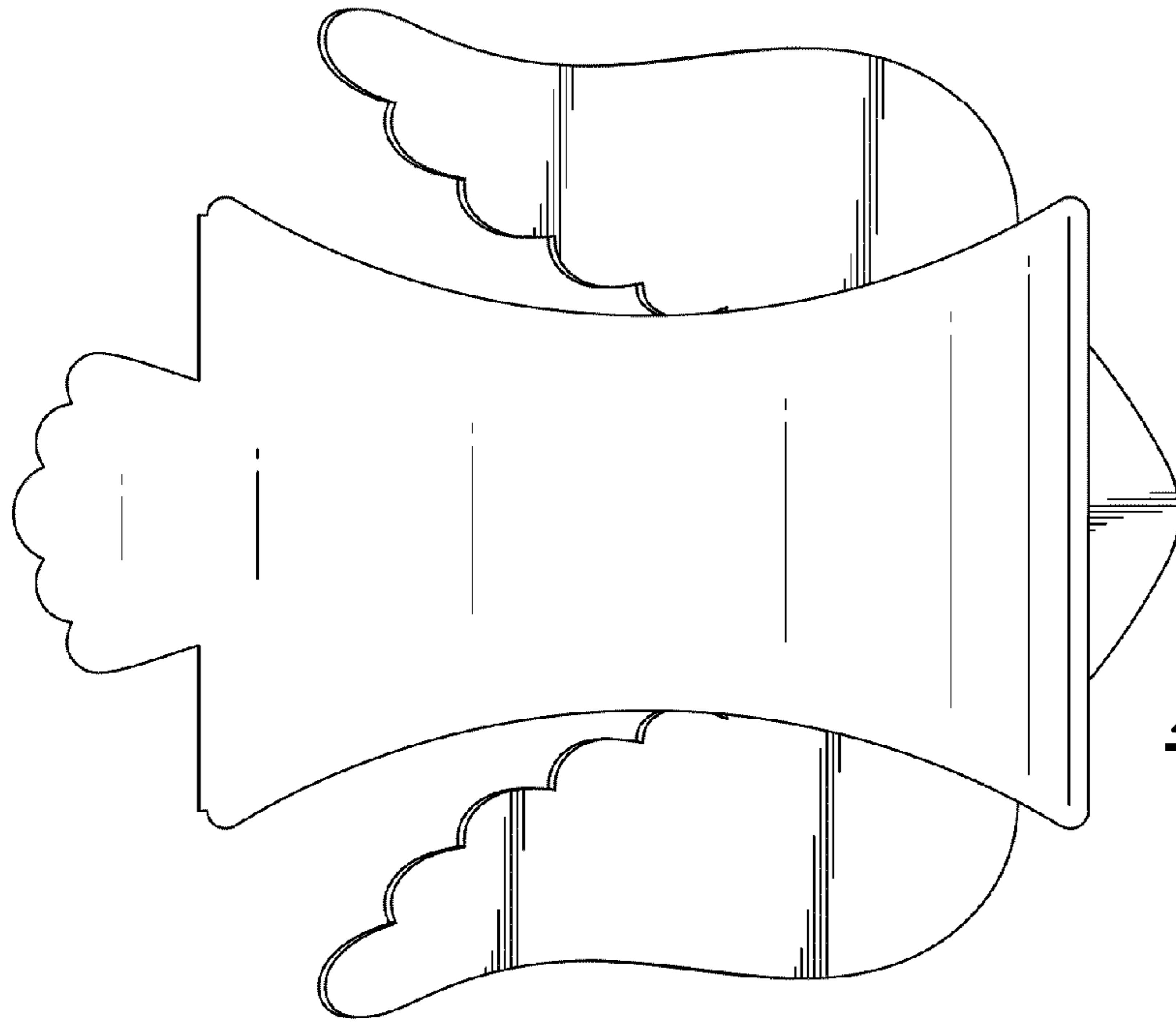


*FIG. 2*

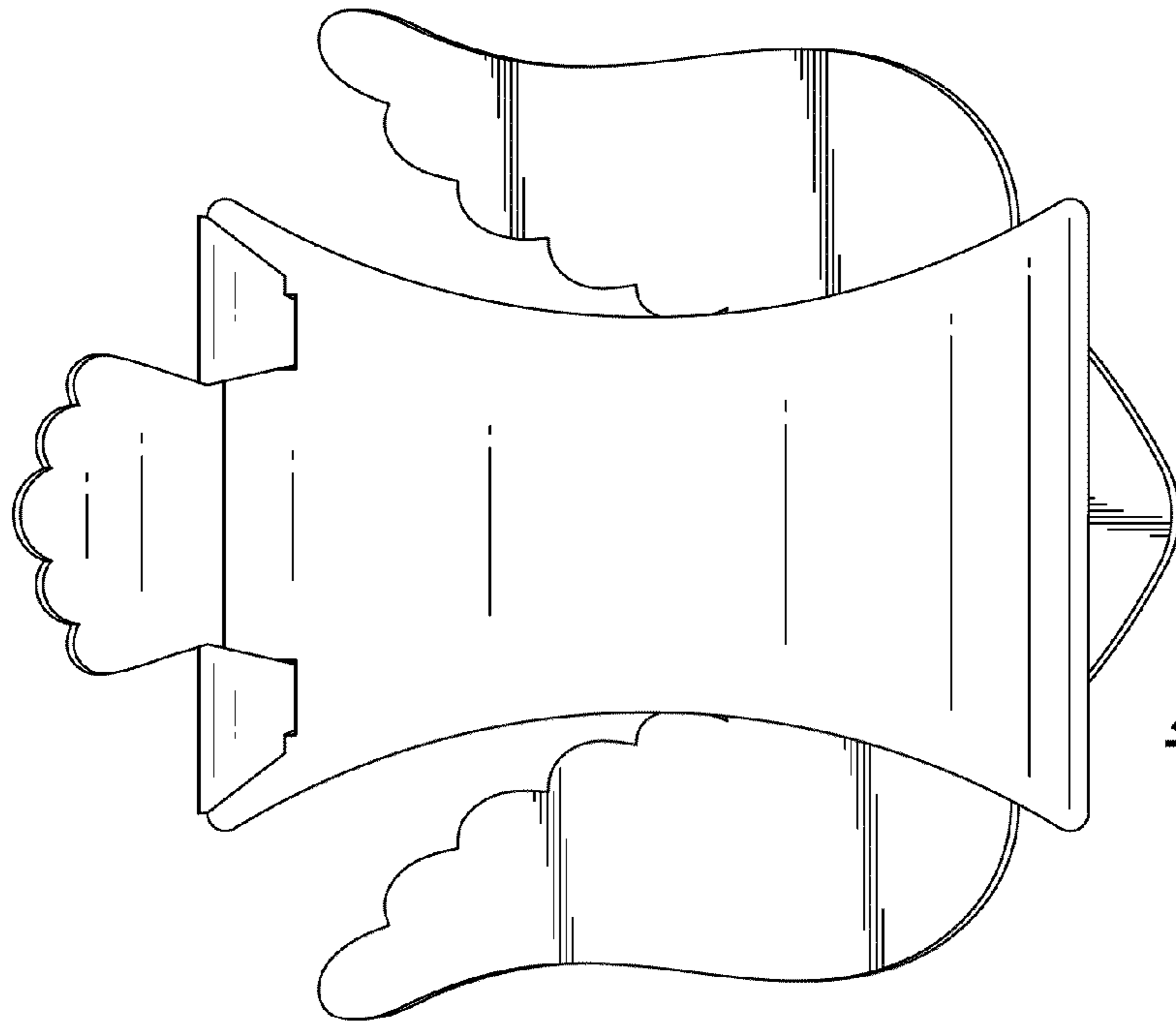


*FIG. 3*

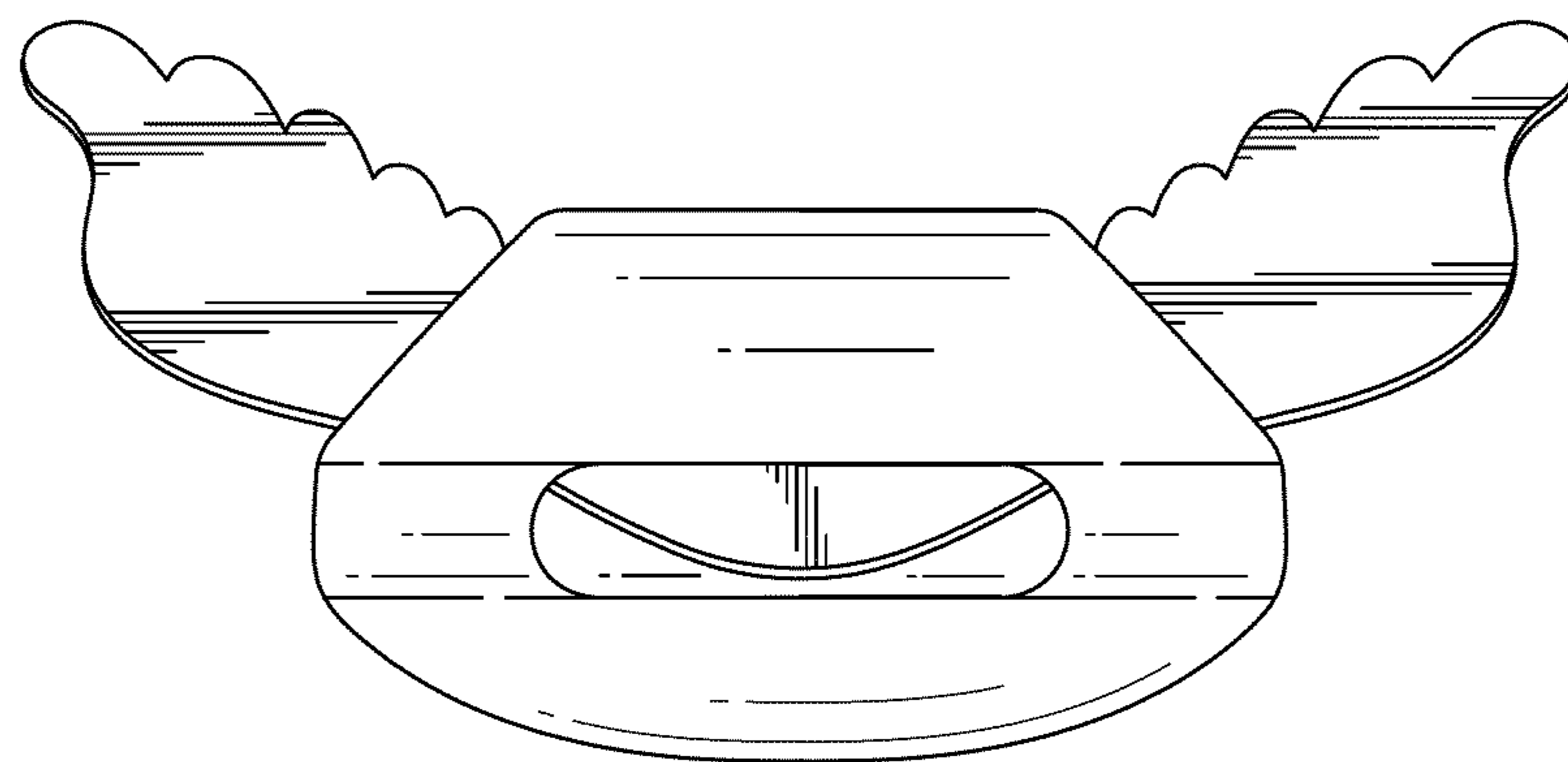




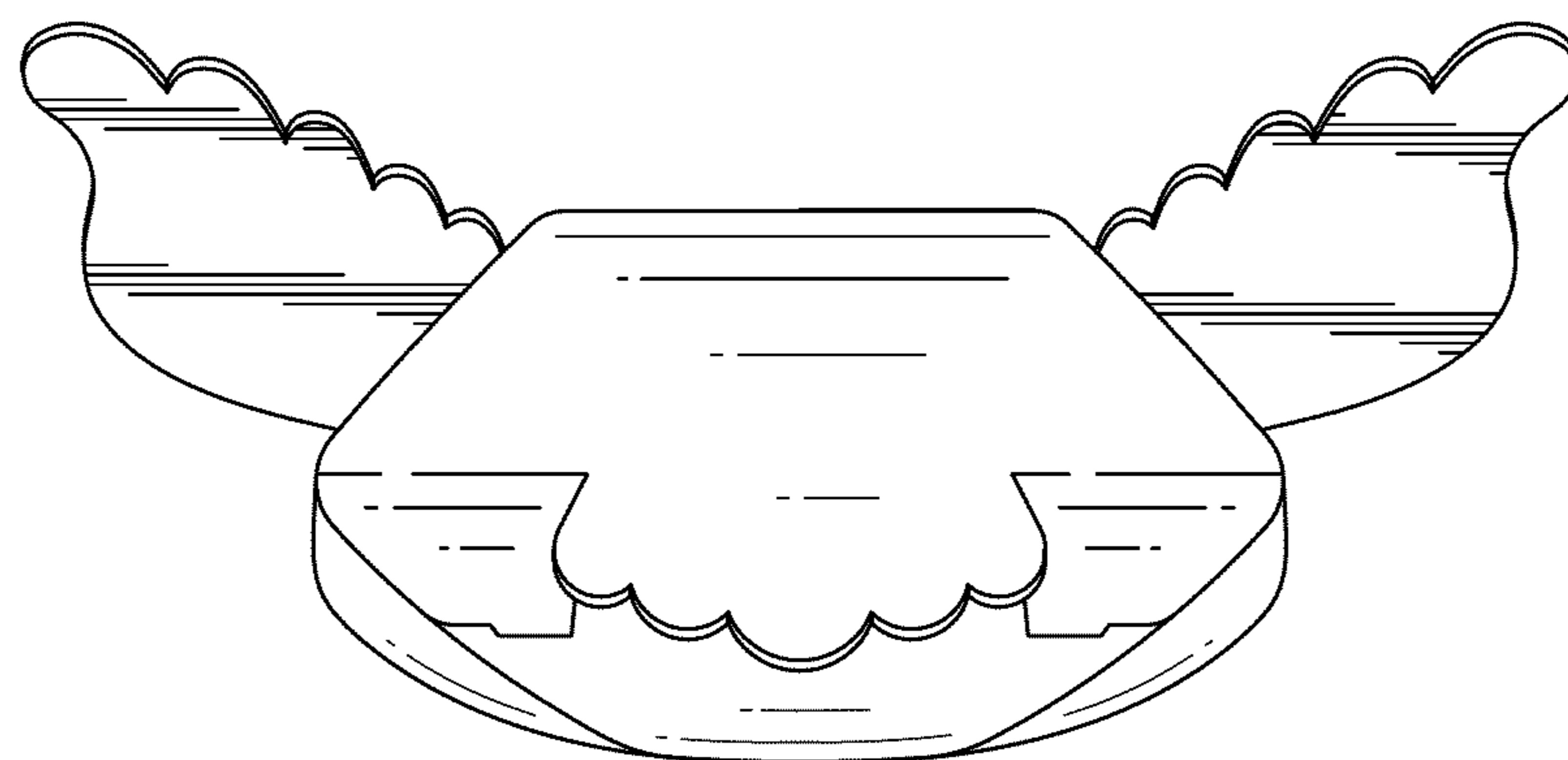
*FIG. 4*



*FIG. 5*



*FIG. 6*



*FIG. 7*

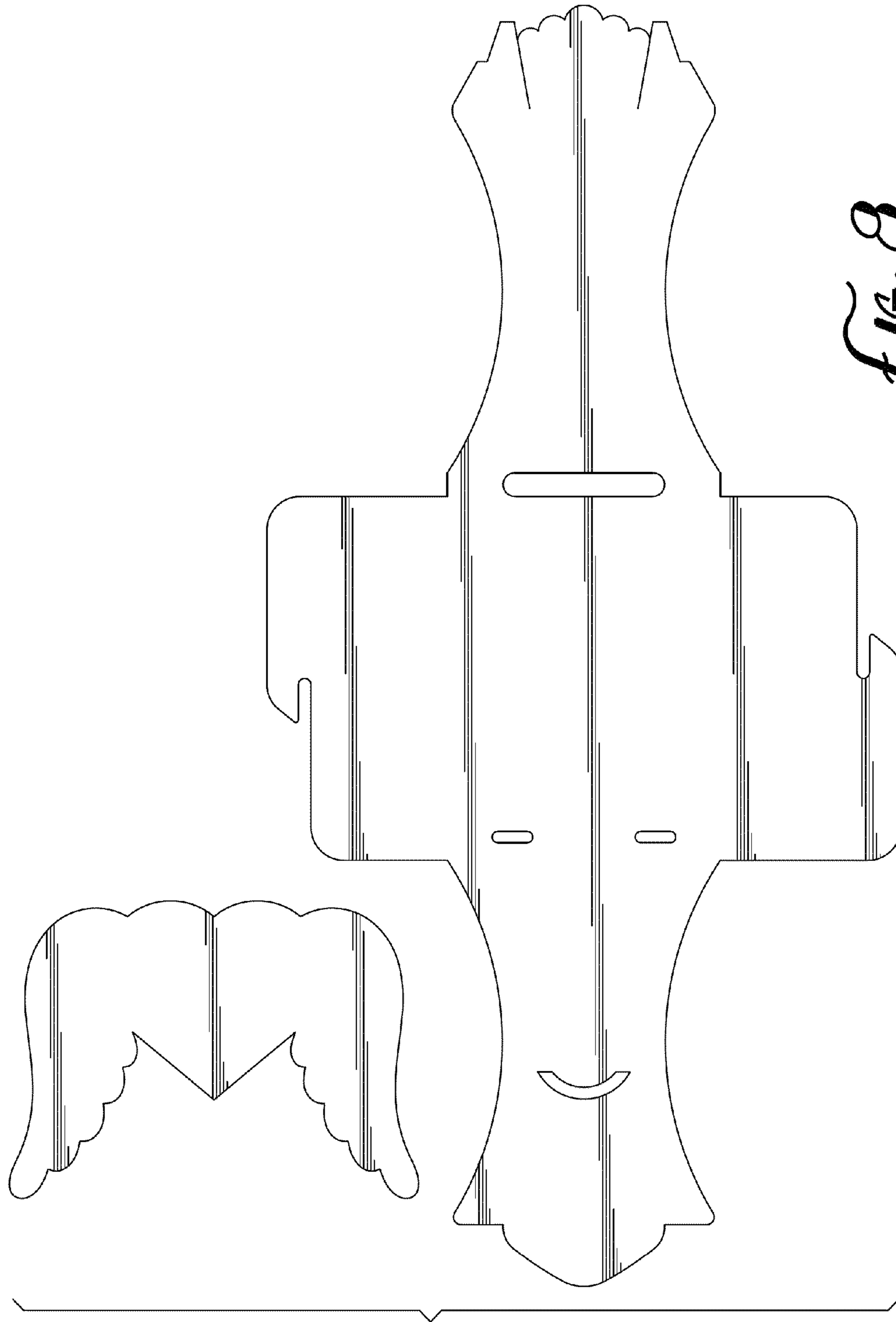


Fig. 8