



US00D731314S

(12) **United States Design Patent**
Dzikowicz et al.

(10) **Patent No.:** **US D731,314 S**

(45) **Date of Patent:** **** Jun. 9, 2015**

(54) **CLOSURE**

(71) Applicant: **Societe des Produits Nestle, S.A., Vevey**
(CH)

(72) Inventors: **Anthony Edwards Dzikowicz**, Grand
Haven, MI (US); **Brooke Susan Ruble**,
Grand Rapids, MI (US); **Joel Dean**
Genaw, Jr., Grand Rapids, MI (US)

(73) Assignee: **Nestec S.A., Vevey** (CH)

(**) Term: **14 Years**

(21) Appl. No.: **29/490,117**

(22) Filed: **May 6, 2014**

(51) **LOC (10) Cl.** **09-99**

(52) **U.S. Cl.**
USPC **D9/499**

(58) **Field of Classification Search**
USPC D7/300, 321, 392.1, 396.1, 396.2, 500,
D7/507, 509, 510, 511, 900; D9/434-455,
D9/524, 682, 685, 694, 695, 697, 723;
D28/63, 76; 215/200, 235, 236, 252,
215/254, 329, 355-364;
220/203.04-203.07, 220, 254.1, 254.4,
220/556, 703-705; 294/137, 170; D3/328;
D16/303, 320

See application file for complete search history.

(56) **References Cited**

U.S. PATENT DOCUMENTS

| | | | | | | |
|----------|---|---|---------|------------|-------|--------|
| D299,008 | S | * | 12/1988 | Naslund | | D9/443 |
| D350,696 | S | * | 9/1994 | Naslund | | D9/443 |
| D391,851 | S | * | 3/1998 | Joergensen | | D9/434 |
| D407,310 | S | * | 3/1999 | DuCorday | | D9/443 |
| D409,913 | S | * | 5/1999 | Le Roux | | D9/434 |
| D412,116 | S | * | 7/1999 | DuCorday | | D9/443 |
| D415,683 | S | * | 10/1999 | DuCorday | | D9/443 |
| D420,912 | S | * | 2/2000 | Vaught | | D9/435 |
| D617,641 | S | * | 6/2010 | Jones | | D9/455 |
| D625,601 | S | * | 10/2010 | Getsy | | D9/434 |

* cited by examiner

Primary Examiner — Robert M Spear
Assistant Examiner — Marissa J Cash

(74) *Attorney, Agent, or Firm* — Gary M. Lobel

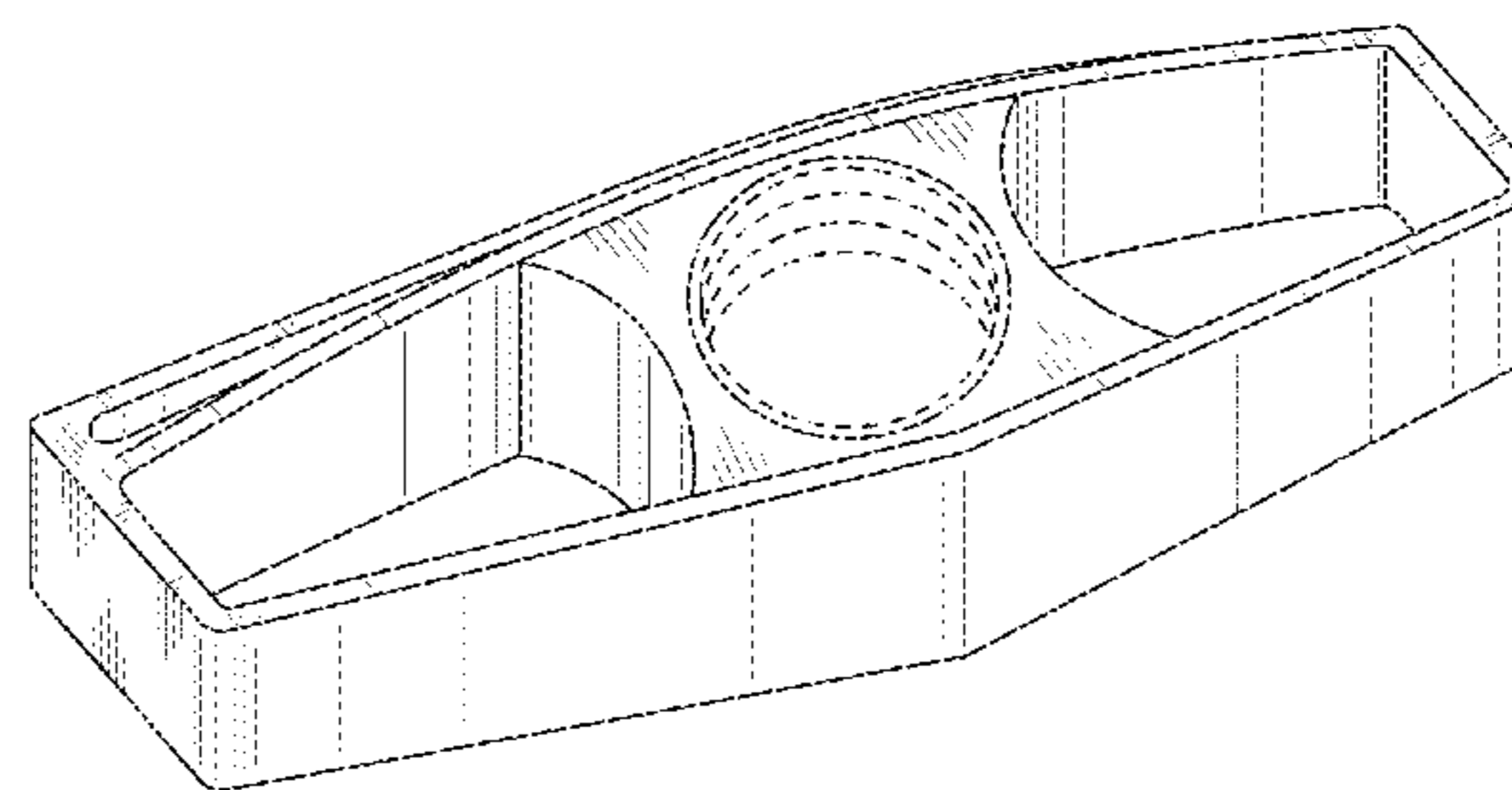
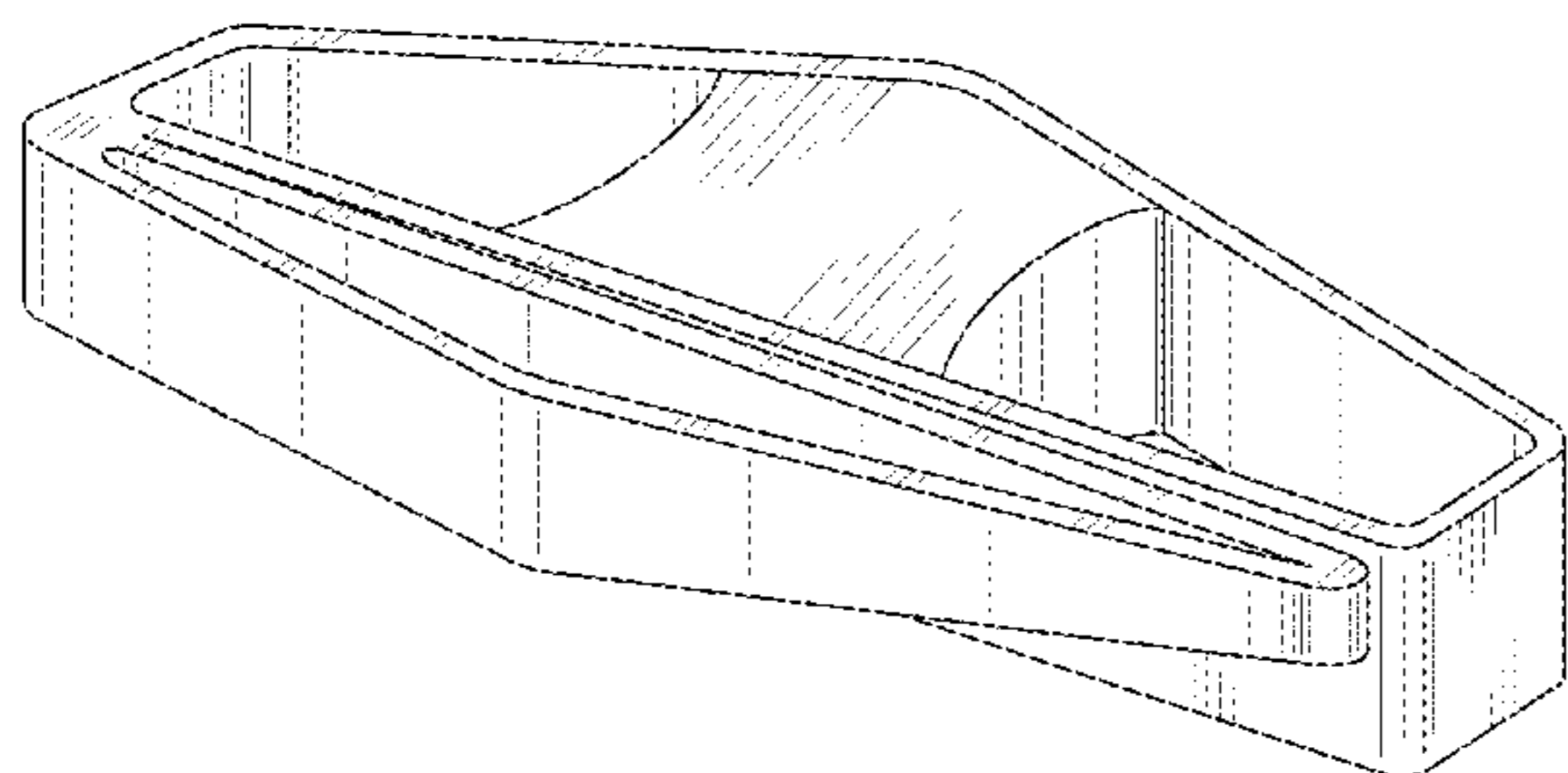
(57) **CLAIM**

The ornamental design for a closure, as shown and described.

DESCRIPTION

FIG. 1 is a front, top, right perspective view of a closure showing our new design;
FIG. 2 is a front, bottom, left perspective view thereof;
FIG. 3 is a front elevation view thereof;
FIG. 4 is a rear elevation view thereof;
FIG. 5 is a right side elevation view thereof;
FIG. 6 is a left side elevation view thereof;
FIG. 7 is a top plan view thereof; and,
FIG. 8 is a bottom view thereof.
The broken lines of even length shown in the drawings illustrate portions of the closure that form no part of the claimed design. The broken lines of uneven length depict the boundary of the claimed design.

1 Claim, 4 Drawing Sheets



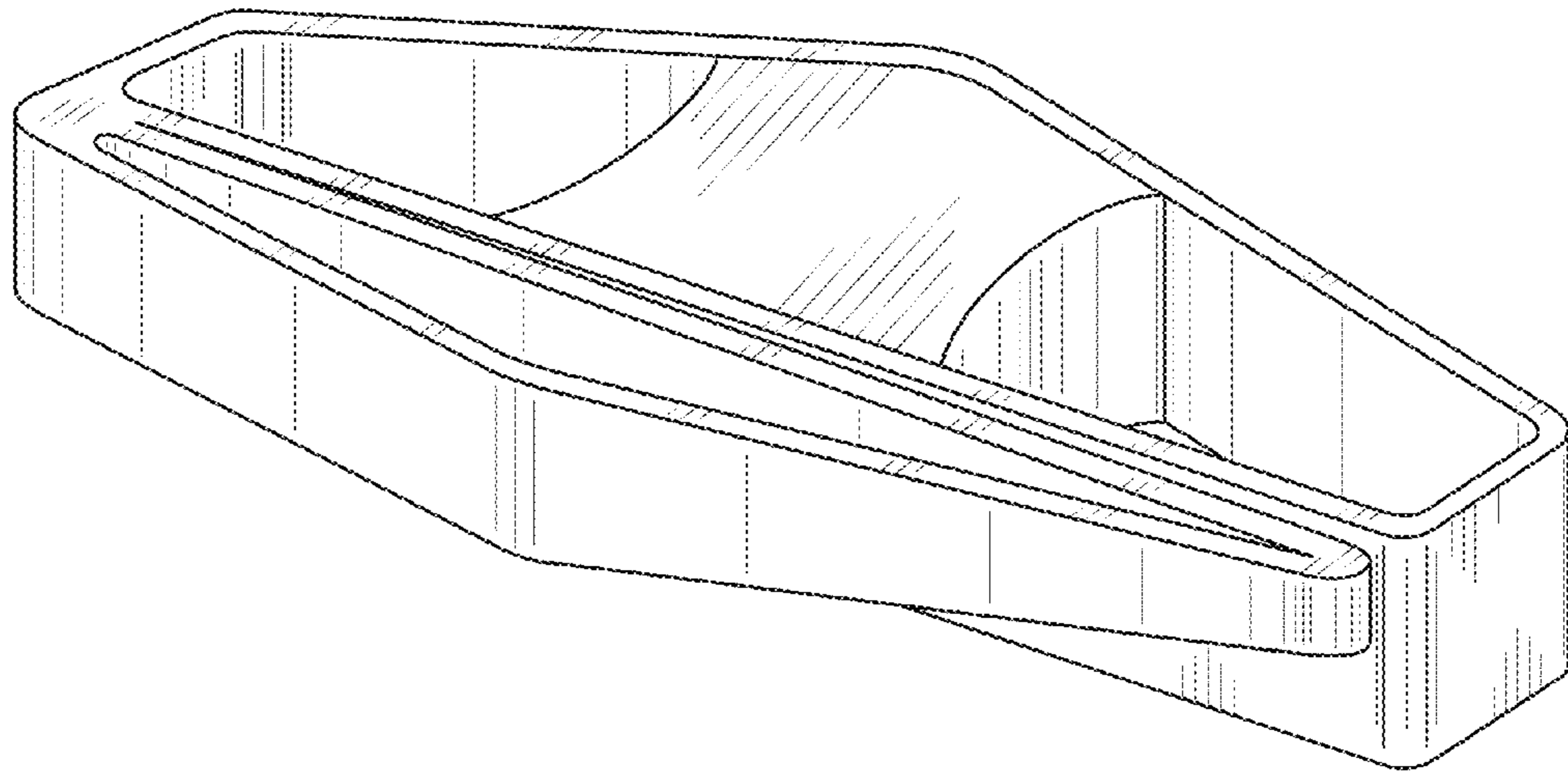


FIG. 1

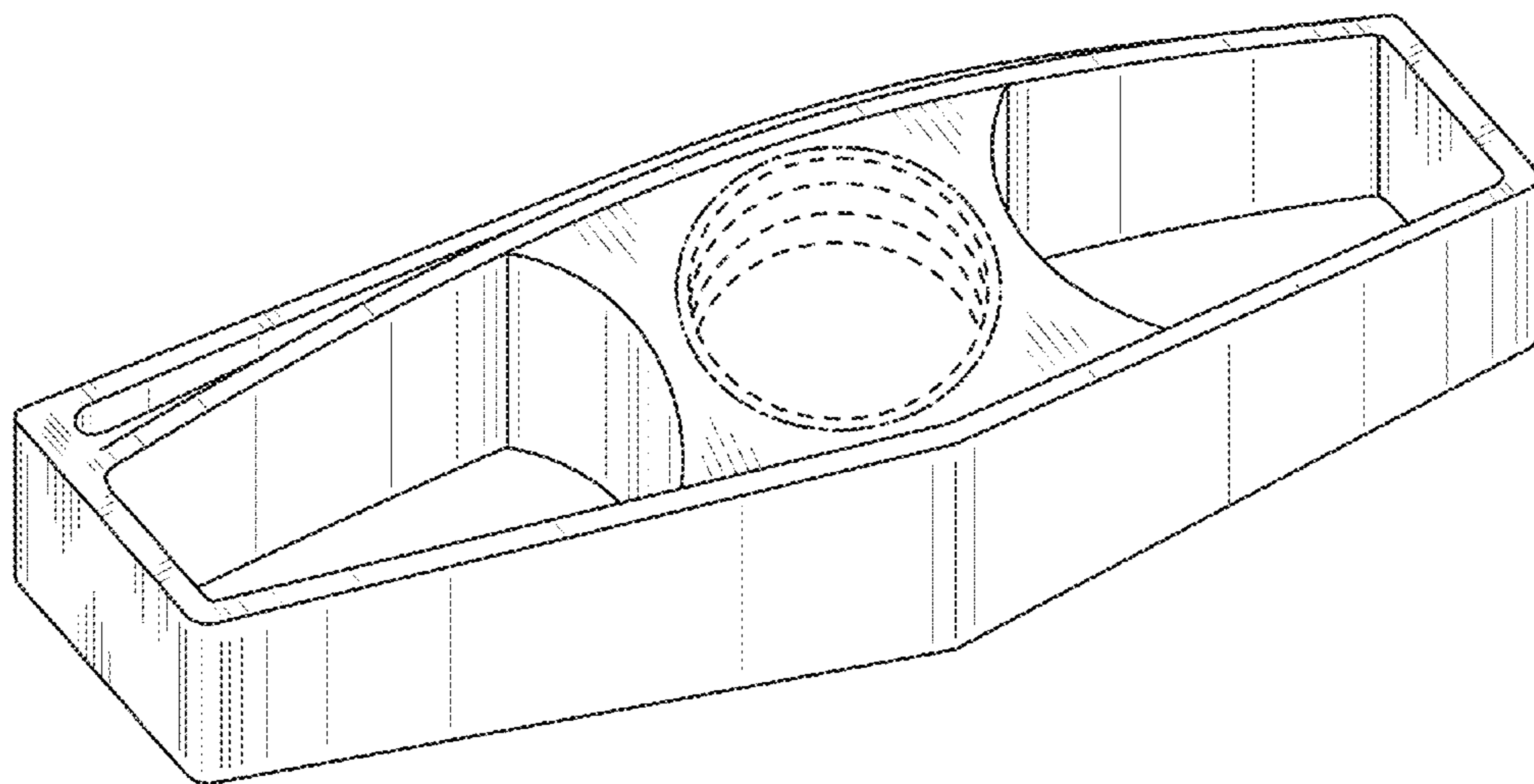


FIG. 2

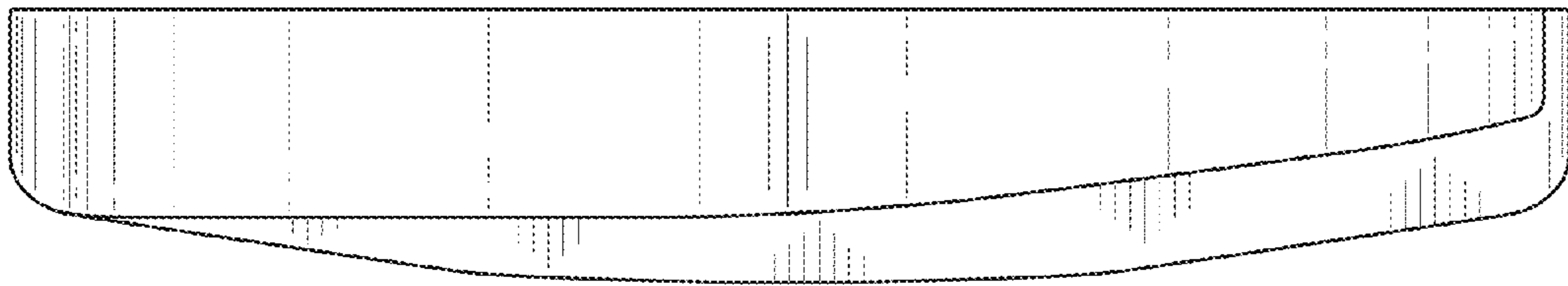


FIG. 3

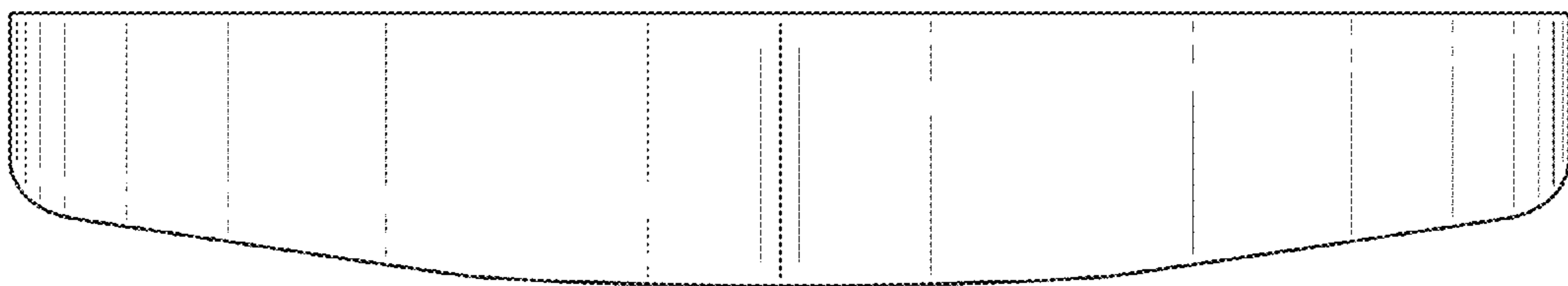


FIG. 4

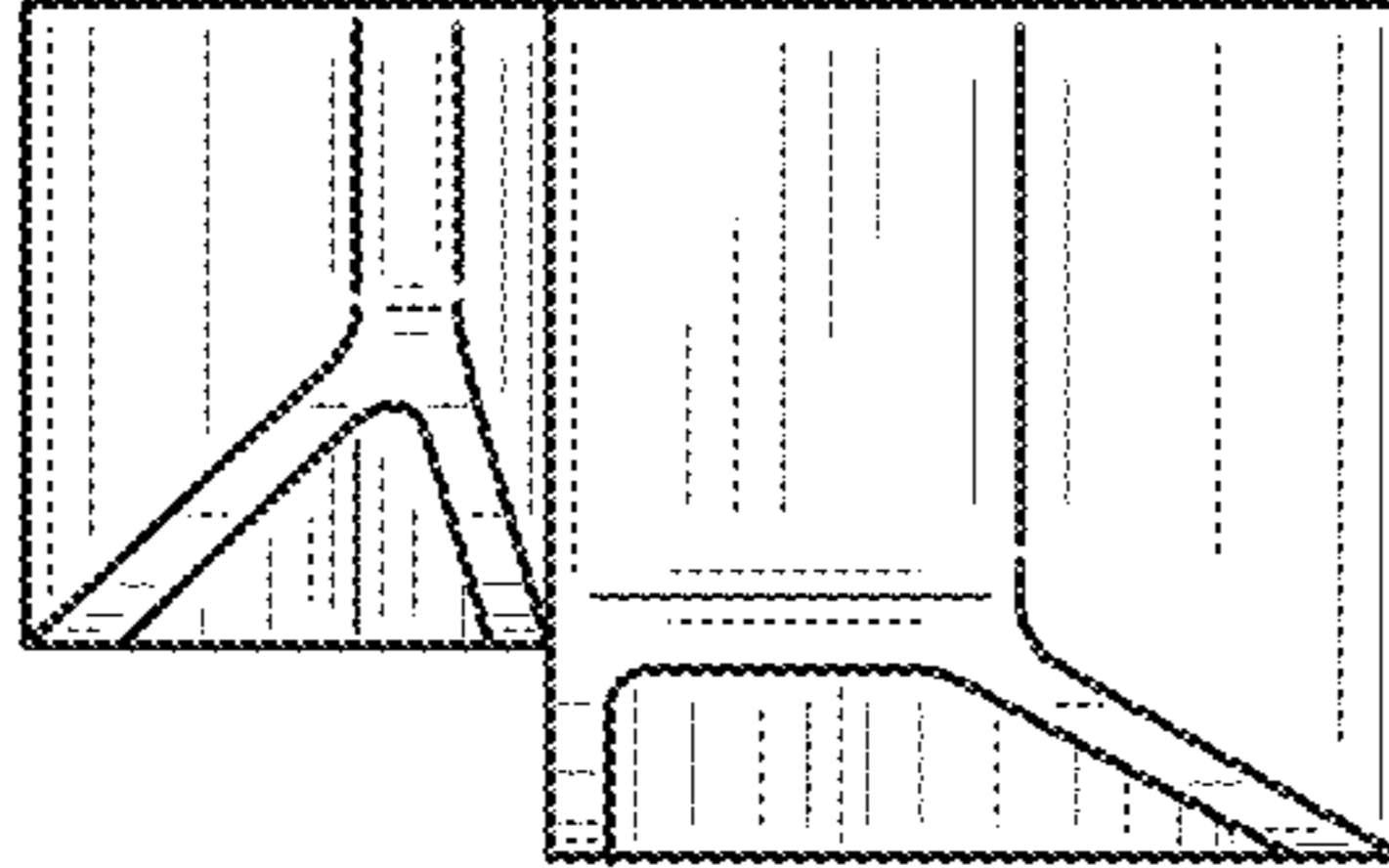


FIG. 5

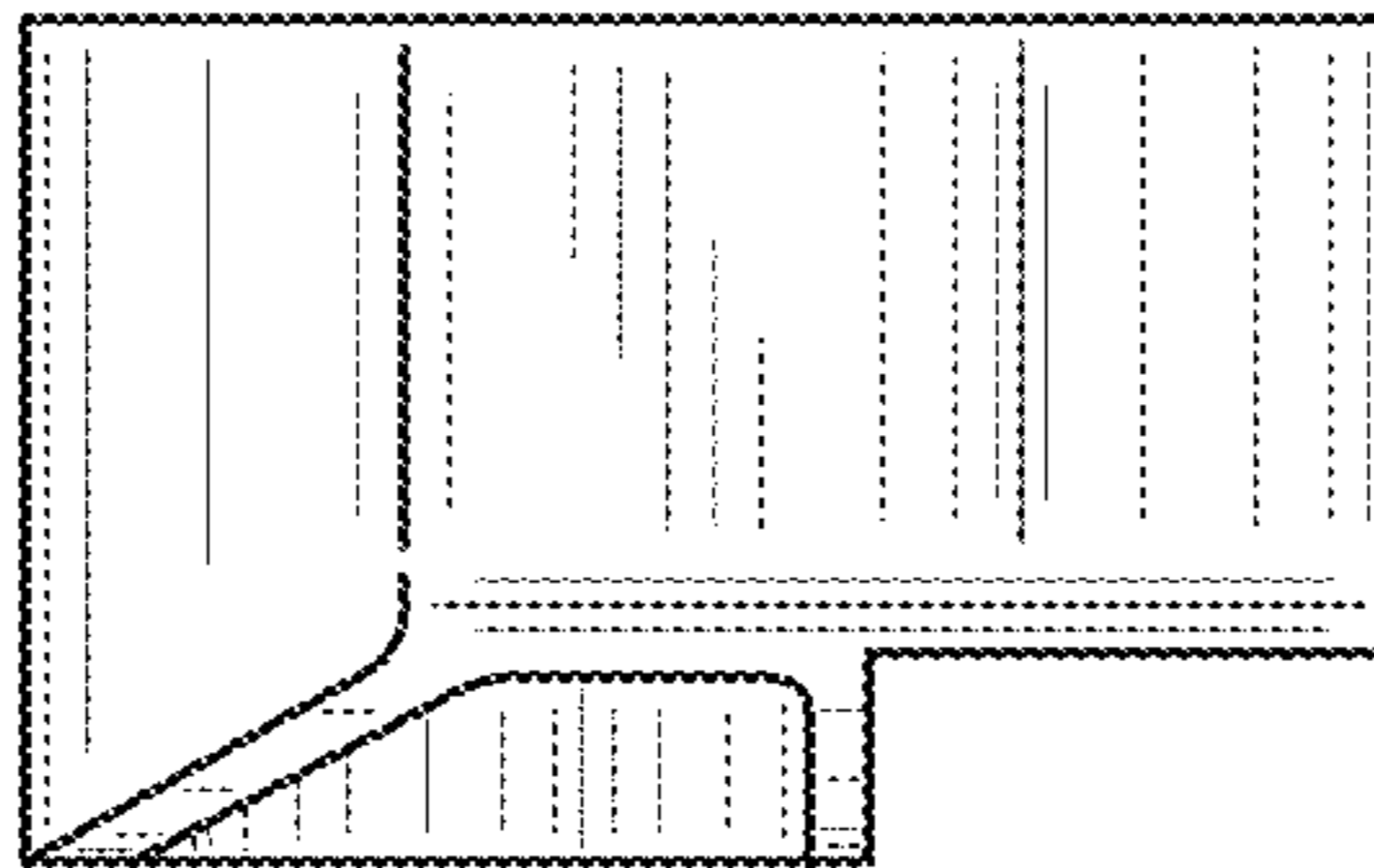


FIG. 6

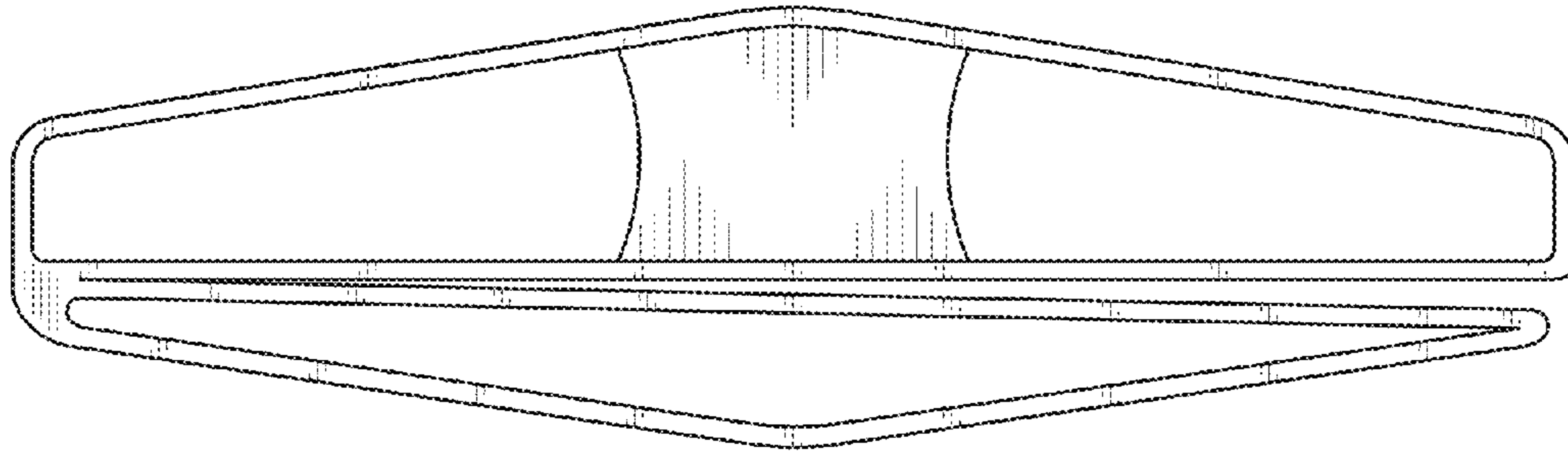


FIG. 7

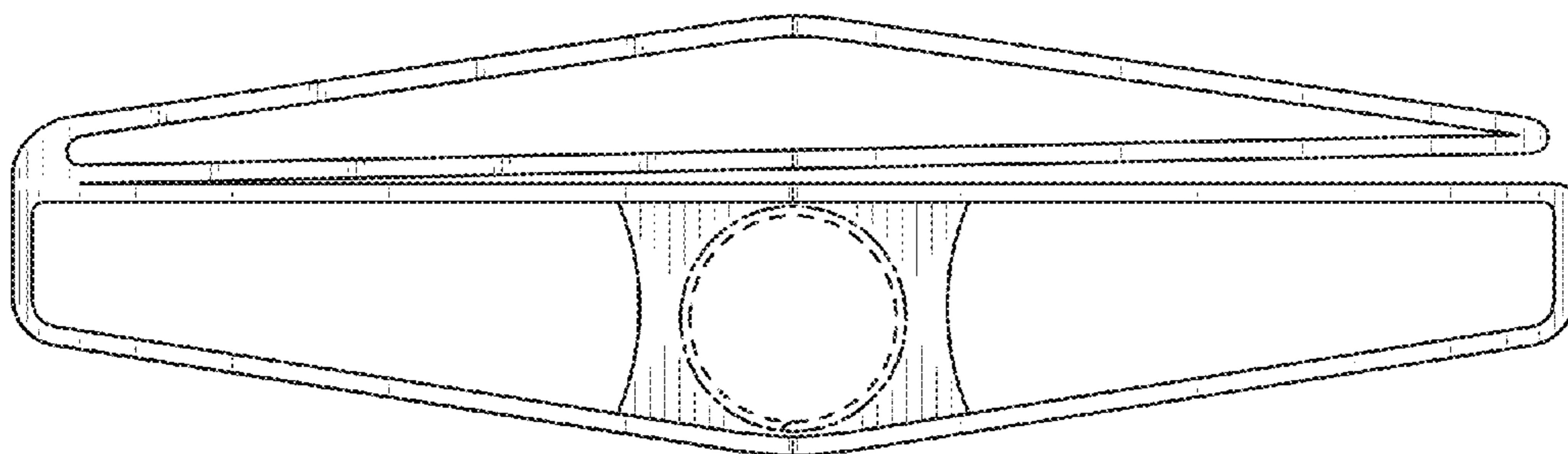


FIG. 8