



US00D731313S

(12) **United States Design Patent**  
**Kotyuk**

(10) **Patent No.:** **US D731,313 S**  
(45) **Date of Patent:** **\*\* Jun. 9, 2015**

(54) **BEVERAGE LID WITH INTEGRATED  
CONDIMENT WELL**

(71) Applicant: **Andrew F. Kotyuk**, San Jacinto, CA  
(US)

(72) Inventor: **Andrew F. Kotyuk**, San Jacinto, CA  
(US)

(\*\*) Term: **14 Years**

(21) Appl. No.: **29/491,775**

(22) Filed: **May 23, 2014**

**Related U.S. Application Data**

(62) Division of application No. 29/446,613, filed on Feb. 26, 2013, now Pat. No. Des. 713,248.

(51) **LOC (10) Cl.** ..... **09-07**

(52) **U.S. Cl.**  
USPC ..... **D9/454**; D9/436

(58) **Field of Classification Search**  
USPC ..... D7/401; D9/434, 435, 436, 438, 445,  
D9/452, 453, 454; D24/224; 215/200, 235,  
215/236, 252, 254, 329, 355-364; 220/556  
CPC ..... B65D 1/26; B65D 2543/00027; B65D  
2543/00046; B65D 2543/00842; B65D  
2231/022; B65D 2543/00092; B65D 43/02;  
B65D 1/265; B65D 51/28; B32B 1/02;  
B32B 2439/70

See application file for complete search history.

(56) **References Cited**

**U.S. PATENT DOCUMENTS**

4,848,579	A	7/1989	Barnes	
5,722,558	A	3/1998	Thompson	
6,209,748	B1 *	4/2001	Dunbar	220/521
6,427,864	B1	8/2002	Asselin	
D473,791	S	4/2003	Loris	
6,932,231	B2 *	8/2005	Haynes et al.	220/212
D511,435	S	11/2005	Roth	
D535,561	S	1/2007	Smith	

D536,923	S	2/2007	Roth	
D556,037	S	11/2007	DAmato	
D559,105	S	1/2008	DAmato	
7,318,536	B2	1/2008	Maravich	
D588,002	S	3/2009	DAmato	
D619,000	S *	7/2010	Scheve	D9/436
D634,192	S	3/2011	Mueller	
7,942,260	B1 *	5/2011	Rodriguez	206/217
D642,915	S *	8/2011	Swingle et al.	D9/440
D661,186	S	6/2012	Snyder	
2004/0149755	A1	8/2004	Olivar	
2005/0178766	A1	8/2005	Washington	

**OTHER PUBLICATIONS**

Kotyuk; U.S. Appl. No. 29/491,779, filed May 23, 2014.  
Restriction Requirement for U.S. Appl. No. 29/446,613 mailed Feb. 5, 2014.  
Notice of Allowance for U.S. Appl. No. 29/446,613 mailed May 1, 2014.  
Kotyuk; U.S. Appl. No. 29/446,613, filed Feb. 26, 2013.

\* cited by examiner

*Primary Examiner* — Robert M Spear  
*Assistant Examiner* — Marissa Cash

(74) *Attorney, Agent, or Firm* — Fitch, Even, Tabin & Flannery LLP

(57) **CLAIM**

I claim the ornamental design for a beverage lid with integrated condiment well, as shown and described.

**DESCRIPTION**

FIG. 1 is a perspective view of a beverage lid with integrated condiment well in accordance with my new design;  
FIG. 2 is a top plan view thereof;  
FIG. 3 is a front elevational view thereof, the back elevational view being identical thereto;  
FIG. 4 is a left side elevational view thereof, the right side elevational view being a mirror image thereof; and,  
FIG. 5 is a bottom plan view thereof.  
The broken lines depict unclaimed environmental subject matter and form no part of the claim.

**1 Claim, 2 Drawing Sheets**

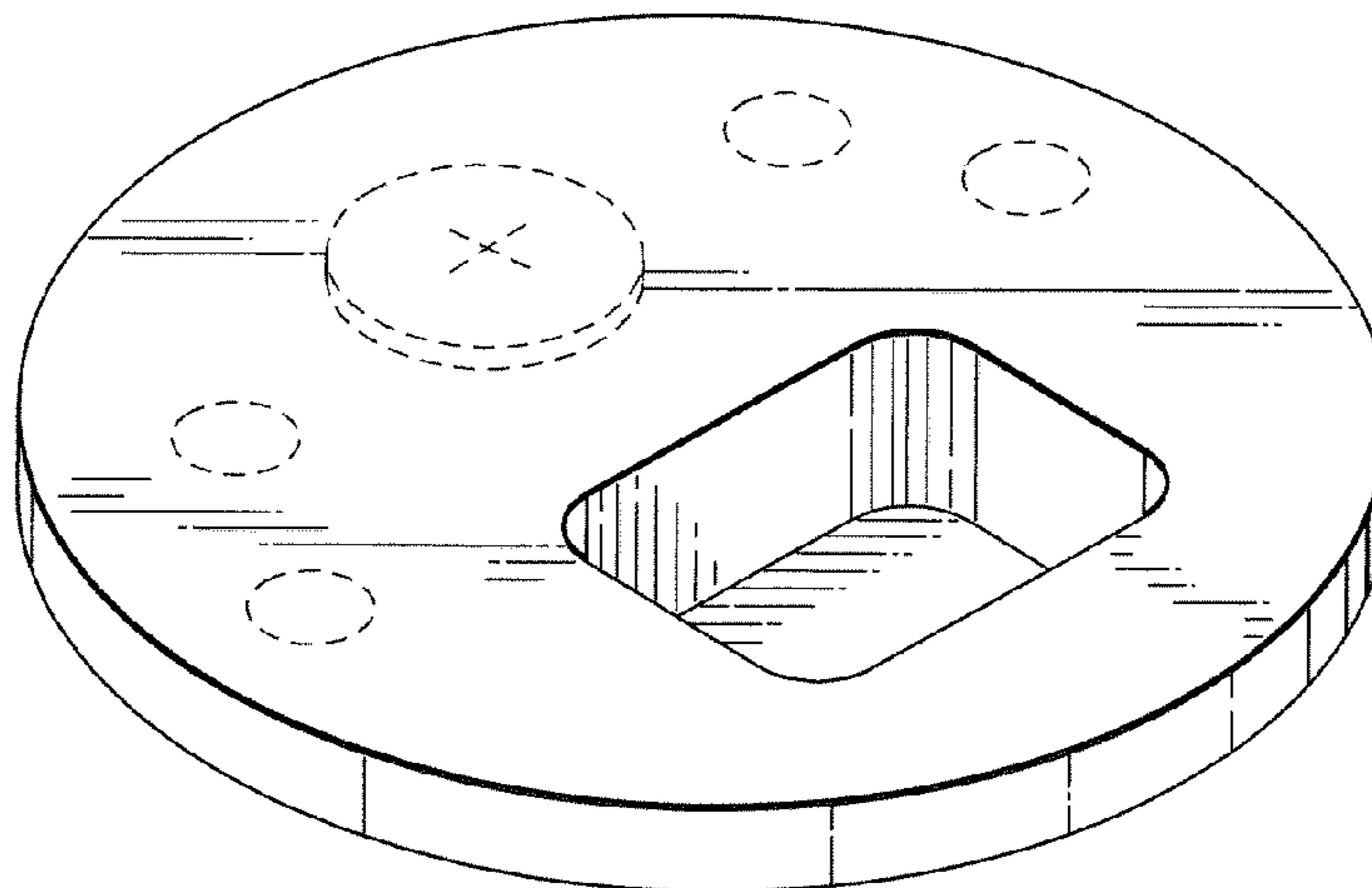


FIG. 1

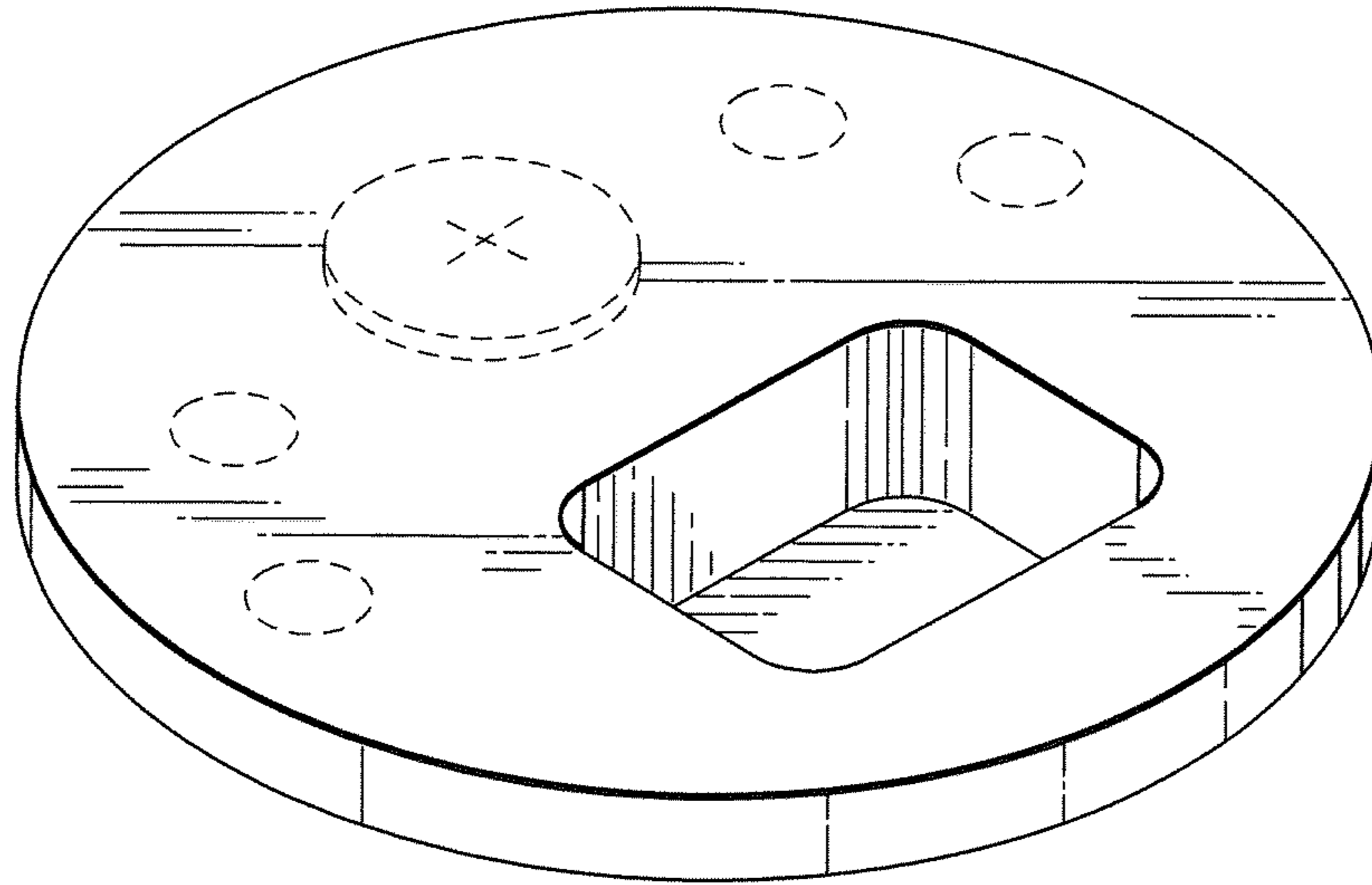


FIG. 2

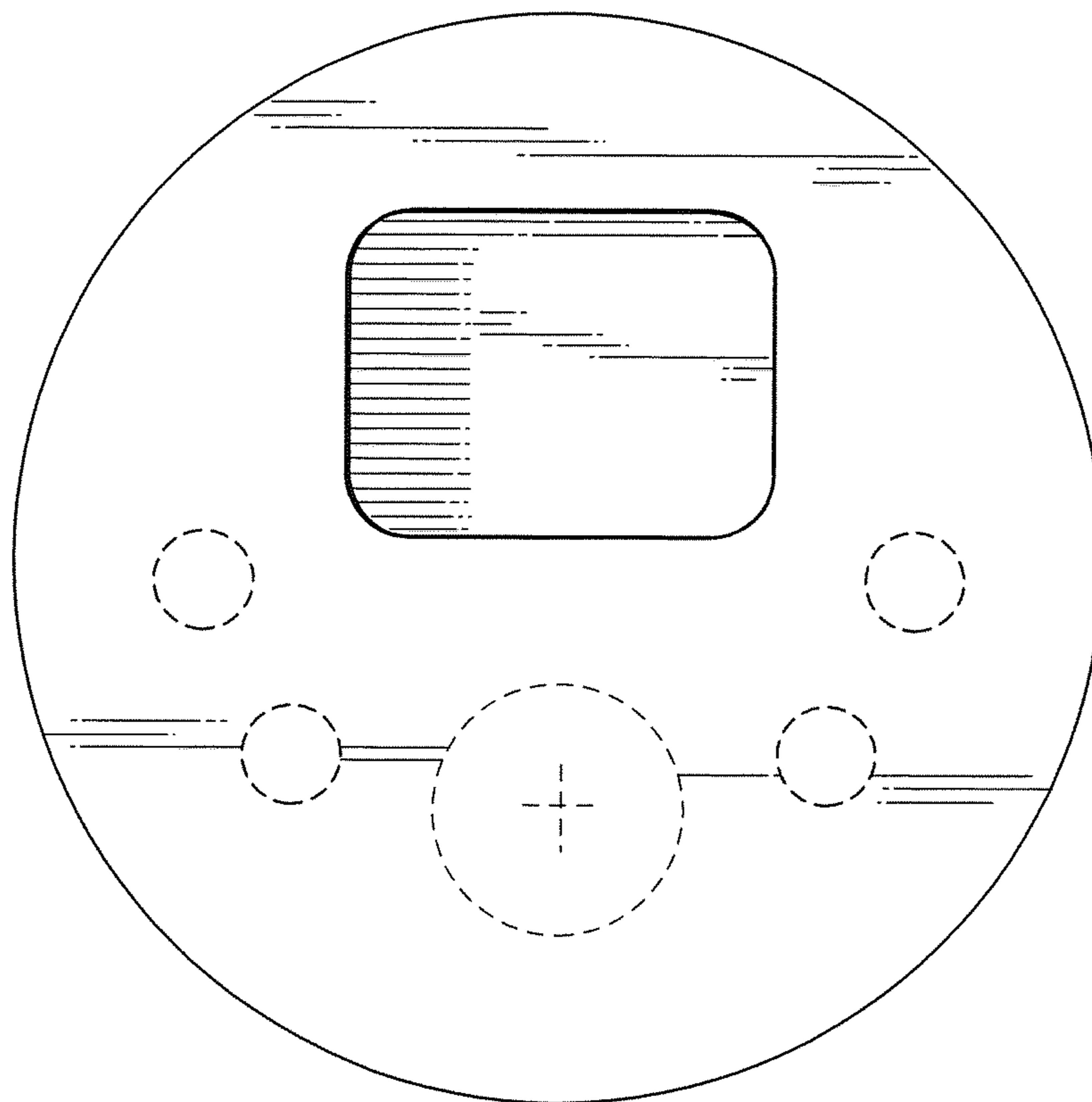


FIG. 3

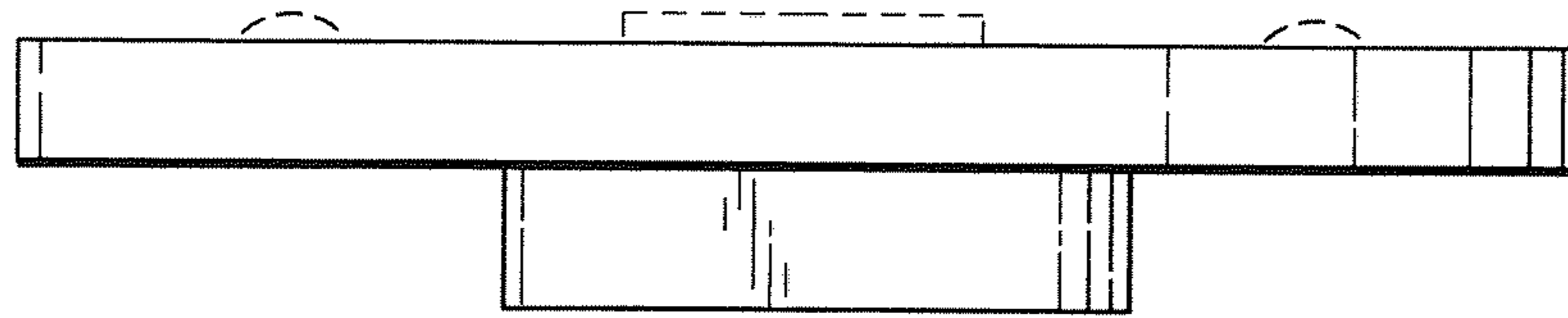


FIG. 4

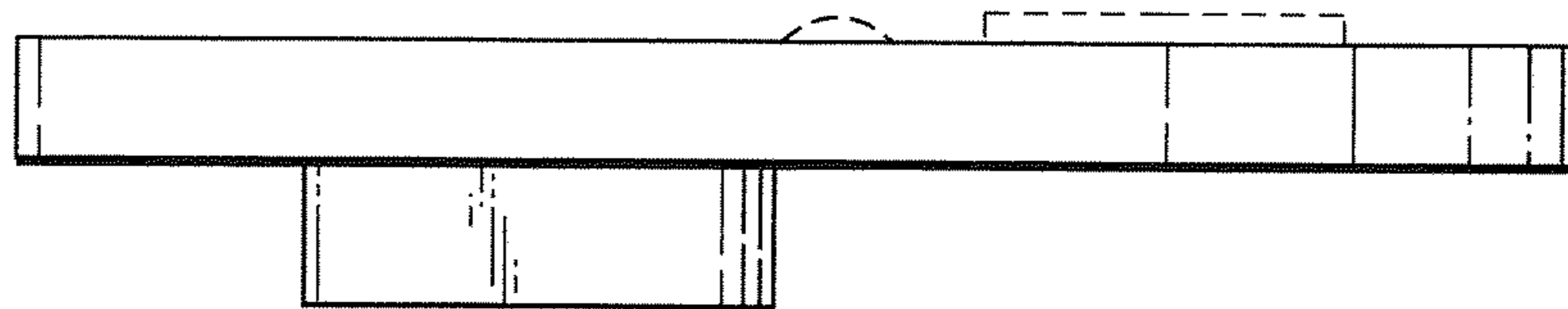


FIG. 5

