



US00D731312S

(12) **United States Design Patent**
Shimizu et al.

(10) **Patent No.:** **US D731,312 S**
(45) **Date of Patent:** **** Jun. 9, 2015**

(54) **FIXTURE FOR AEROSOL SPRAY CONTAINER**

(71) Applicant: **TOYO AEROSOL INDUSTRY CO., LTD.**, Tokyo (JP)

(72) Inventors: **Hirokazu Shimizu**, Tokyo (JP); **Ken Ogata**, Tokyo (JP)

(73) Assignee: **TOYO AEROSOL INDUSTRY CO., LTD.**, Tokyo (JP)

(**) Term: **14 Years**

(21) Appl. No.: **29/464,731**

(22) Filed: **Aug. 20, 2013**

(30) **Foreign Application Priority Data**

Feb. 20, 2013 (JP) 2013-003438

(51) **LOC (10) Cl.** **09-07**

(52) **U.S. Cl.**
USPC **D9/439**

(58) **Field of Classification Search**
USPC D7/398, 401.1, 510, 511, 590-597, D7/679; D9/417, 428, 429, 434, 435, 436, D9/439, 440, 447, 448, 452, 453, 454, 500, D9/501, 517; D23/259, 260; D24/216, D24/222, 224, 231; 215/200, 231, 234, 364; 220/200, 234, 295, 304, 310.1, 378, 220/491, 703, 713, 795, 804, 849; 222/142.1-142.9, 149, 151, 356, 480, 222/482, 491, 494, 545, 566, 567, 635

See application file for complete search history.

(56) **References Cited**

U.S. PATENT DOCUMENTS

4,024,995 A * 5/1977 Landen et al. 222/402.11
D511,456 S * 11/2005 Forte D9/443
D567,084 S * 4/2008 Batton et al. D9/454
D595,570 S * 7/2009 Moretti D9/434

* cited by examiner

Primary Examiner — Susan Bennett Hattan

Assistant Examiner — Leanne Was

(74) *Attorney, Agent, or Firm* — Westerman, Hattori, Daniels & Adrian, LLP

(57) **CLAIM**

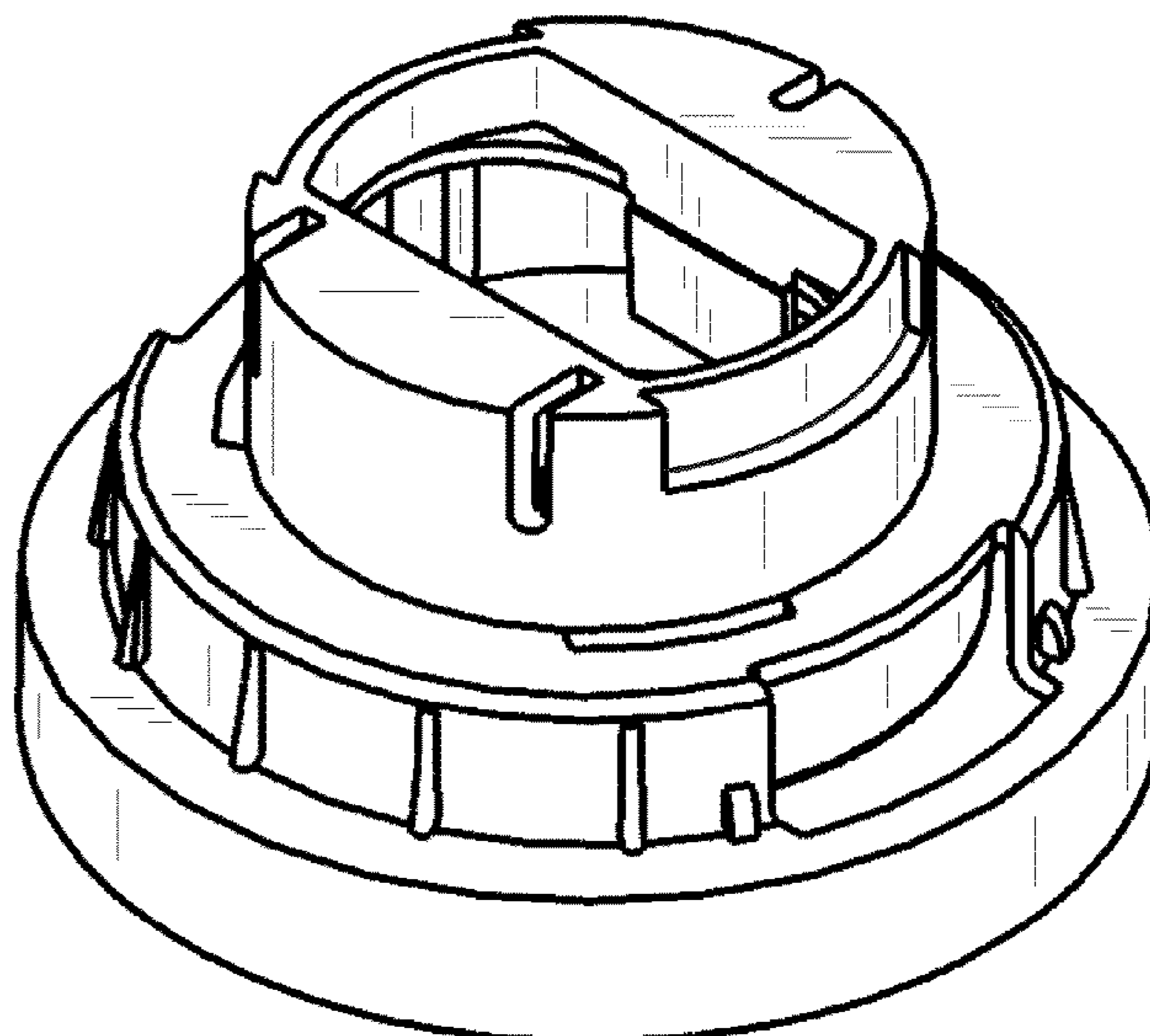
The ornamental design for a fixture for aerosol spray container, as shown and described.

DESCRIPTION

FIG. 1 is a front elevational view of a fixture for aerosol spray container, showing our new design;
FIG. 2 is a rear elevational view thereof;
FIG. 3 is a top plan view thereof;
FIG. 4 is a bottom plan view thereof;
FIG. 5 is a right side elevational view thereof;
FIG. 6 is a perspective view thereof; and,
FIG. 7 is a perspective view of the fixture for aerosol spray container in use.

The broken lines illustrate environmental structure only and form no part of the claimed design.

1 Claim, 7 Drawing Sheets



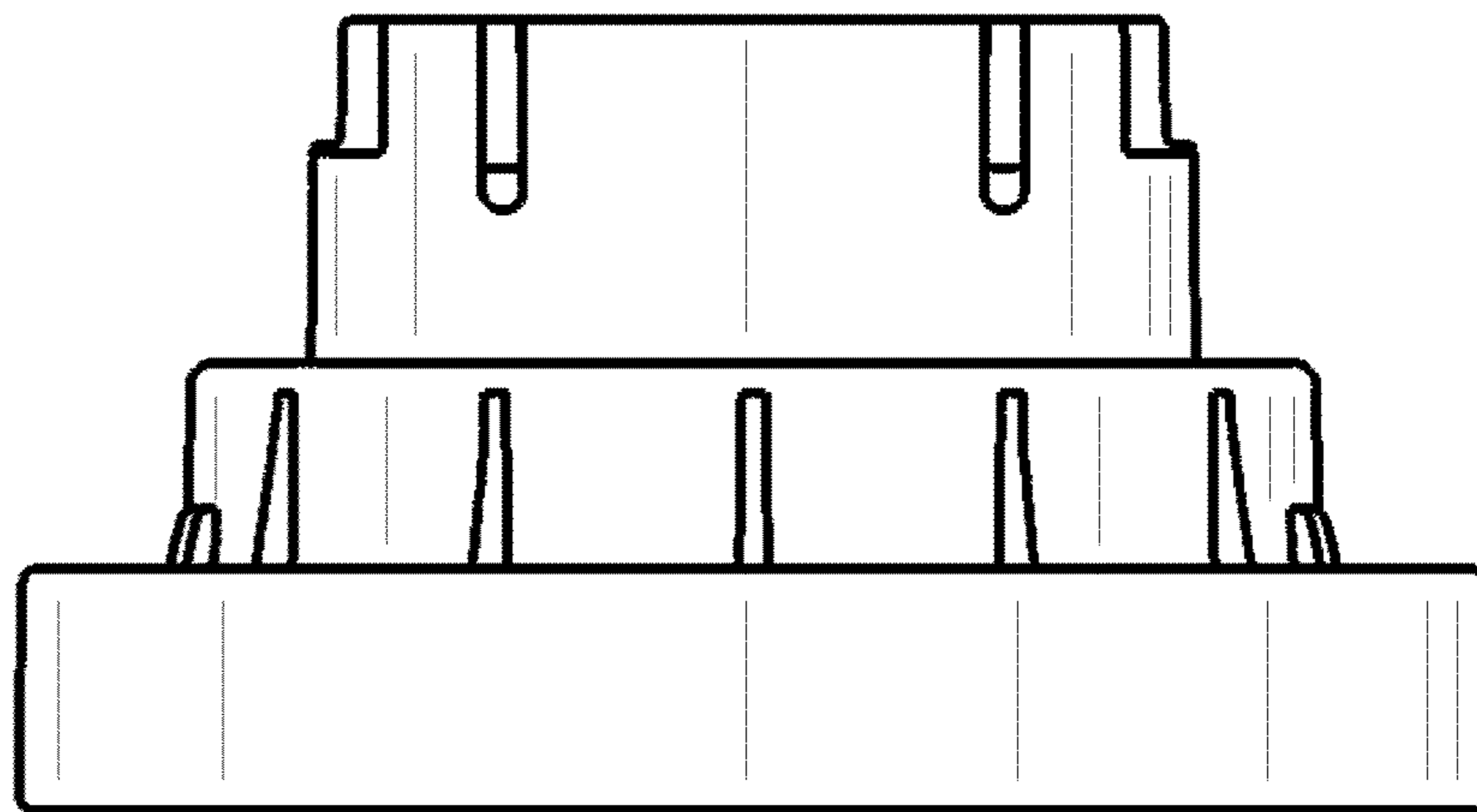


Fig.1

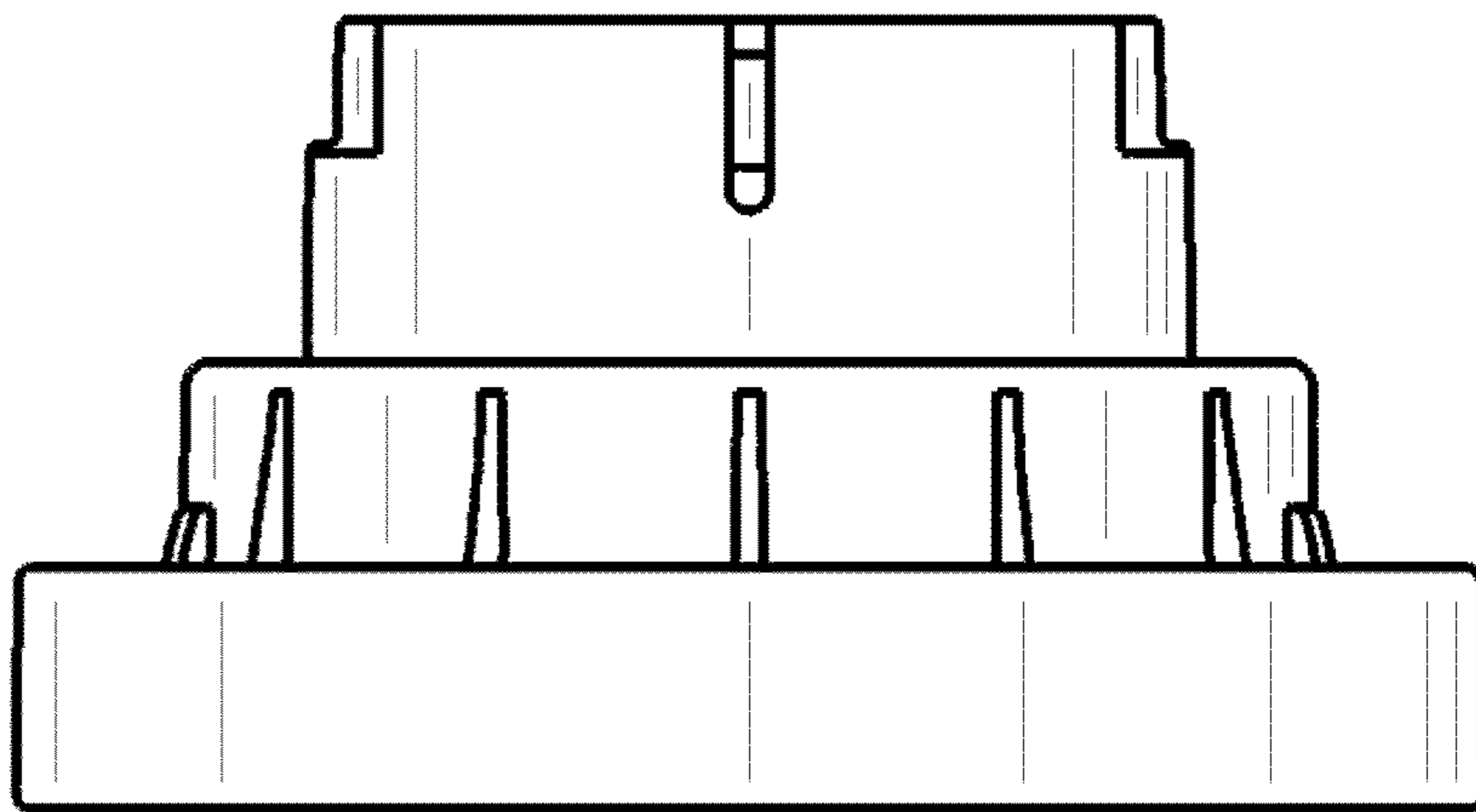


Fig.2

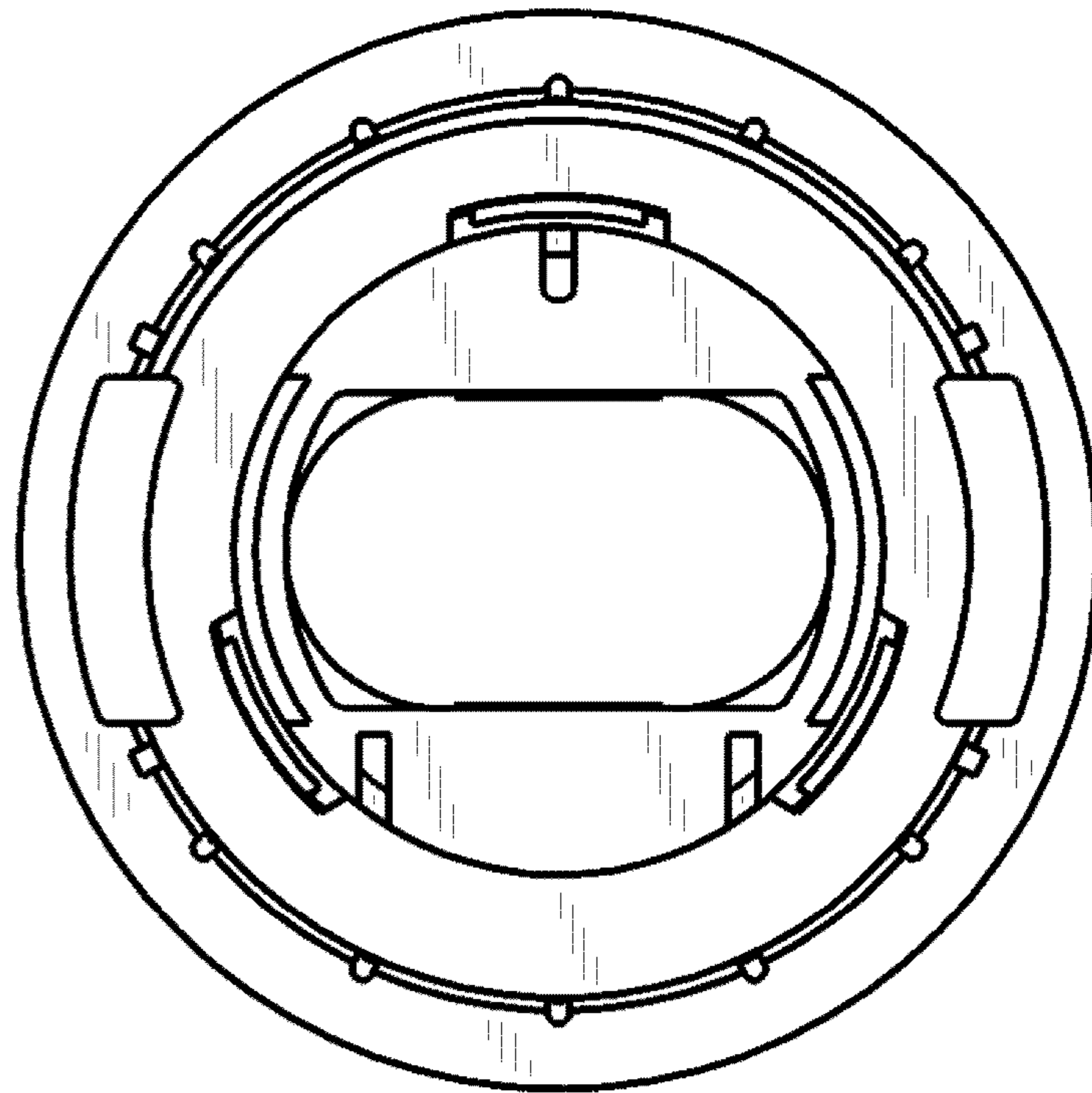


Fig.3

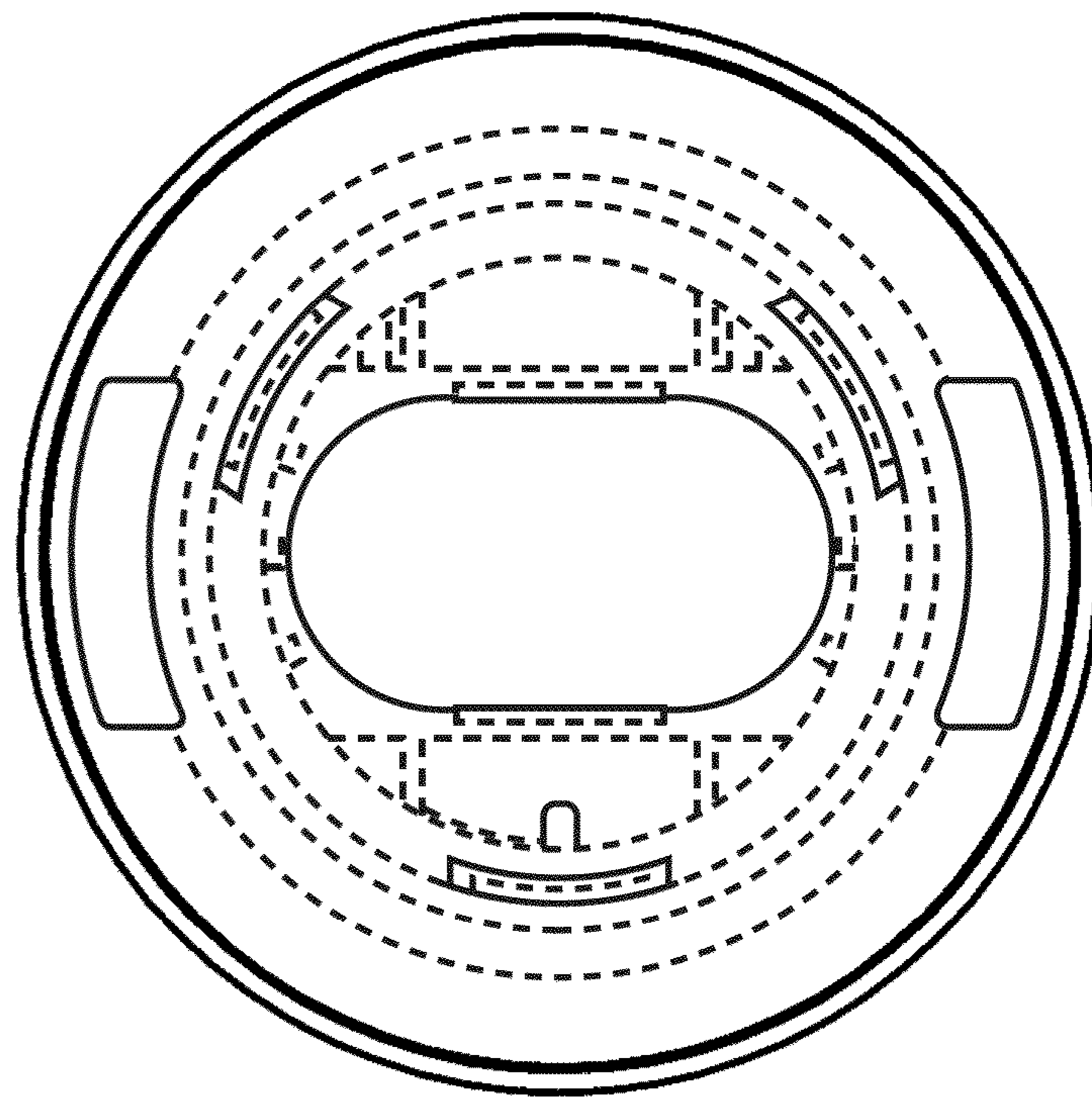


Fig.4

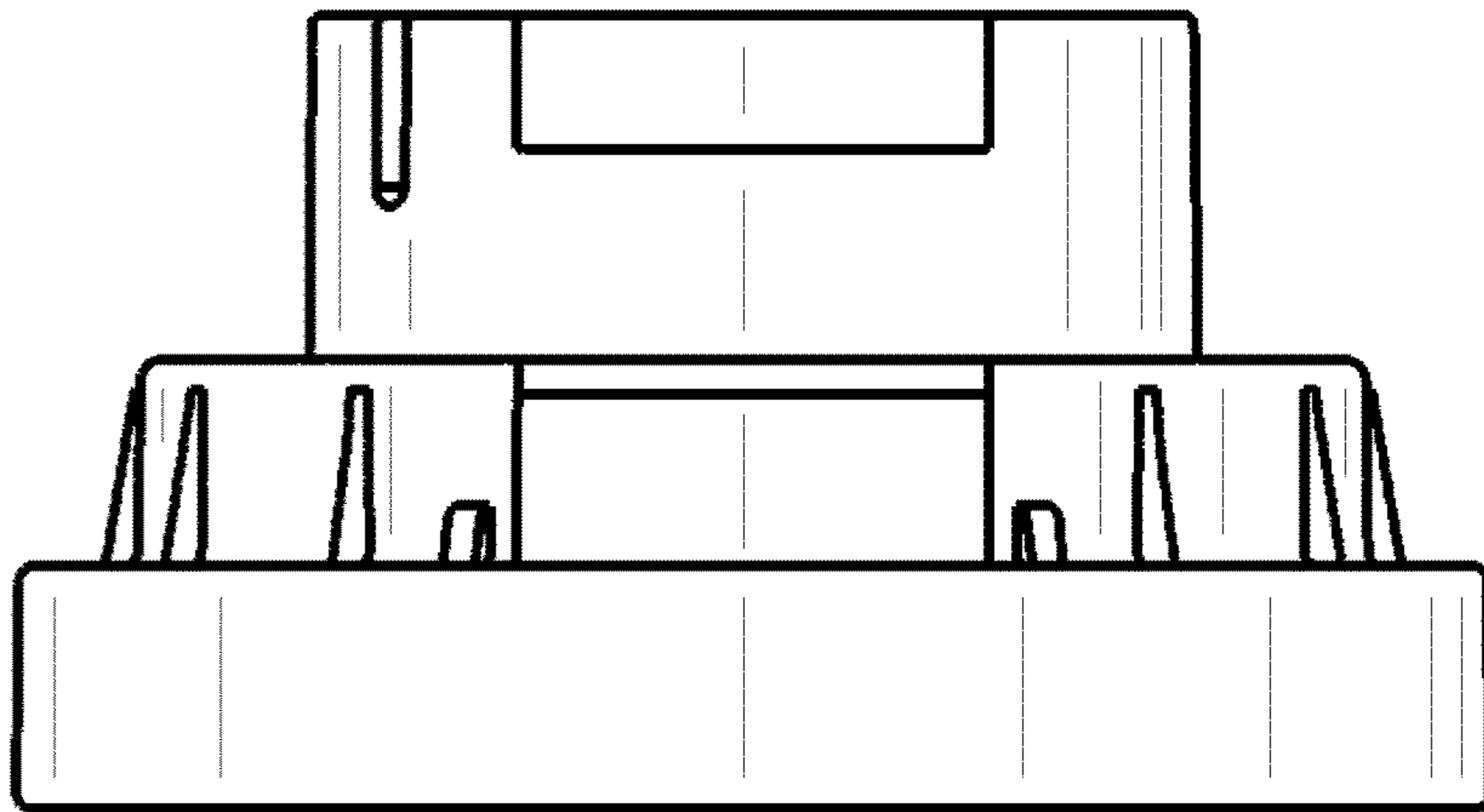


Fig.5

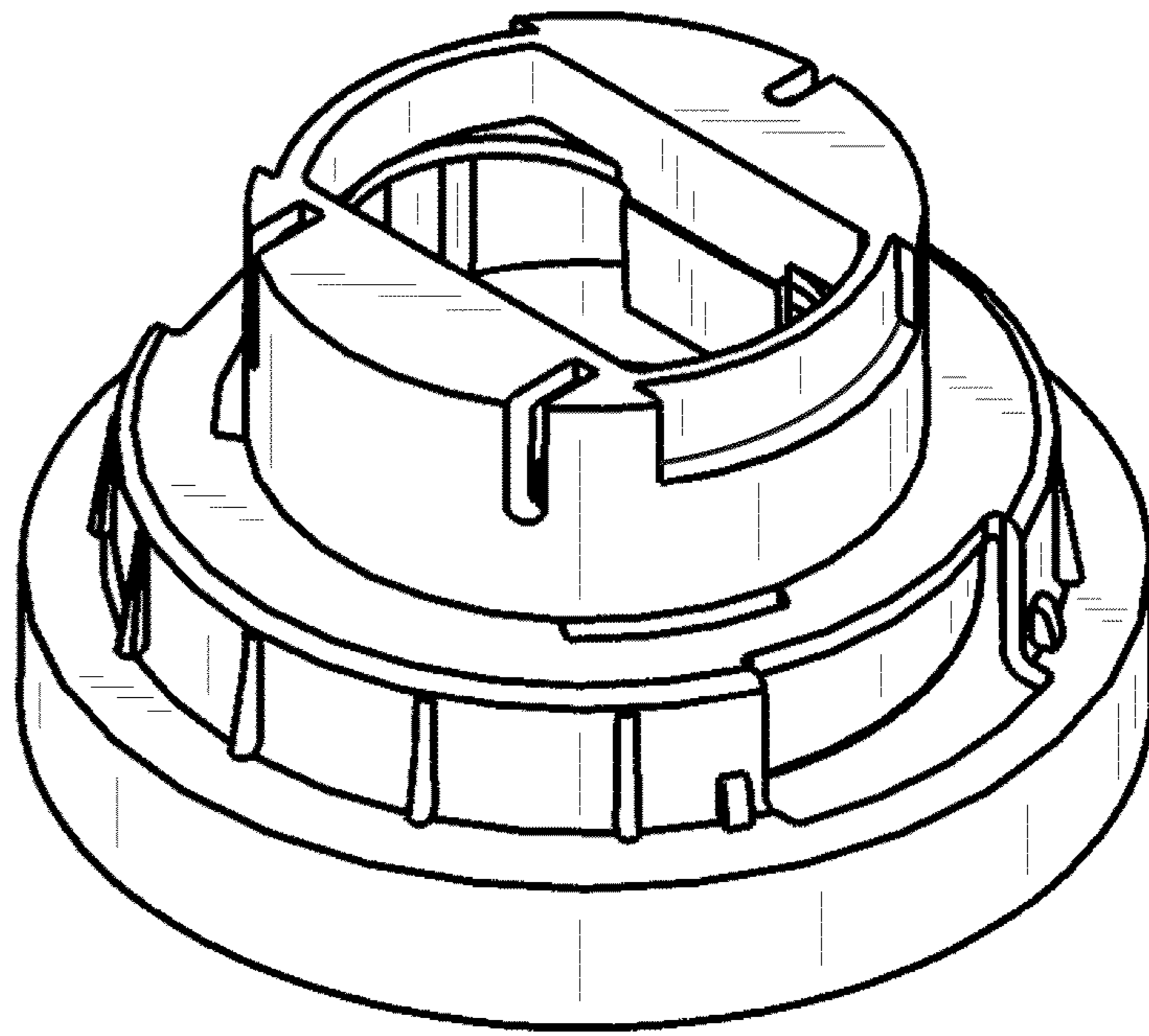


Fig.6

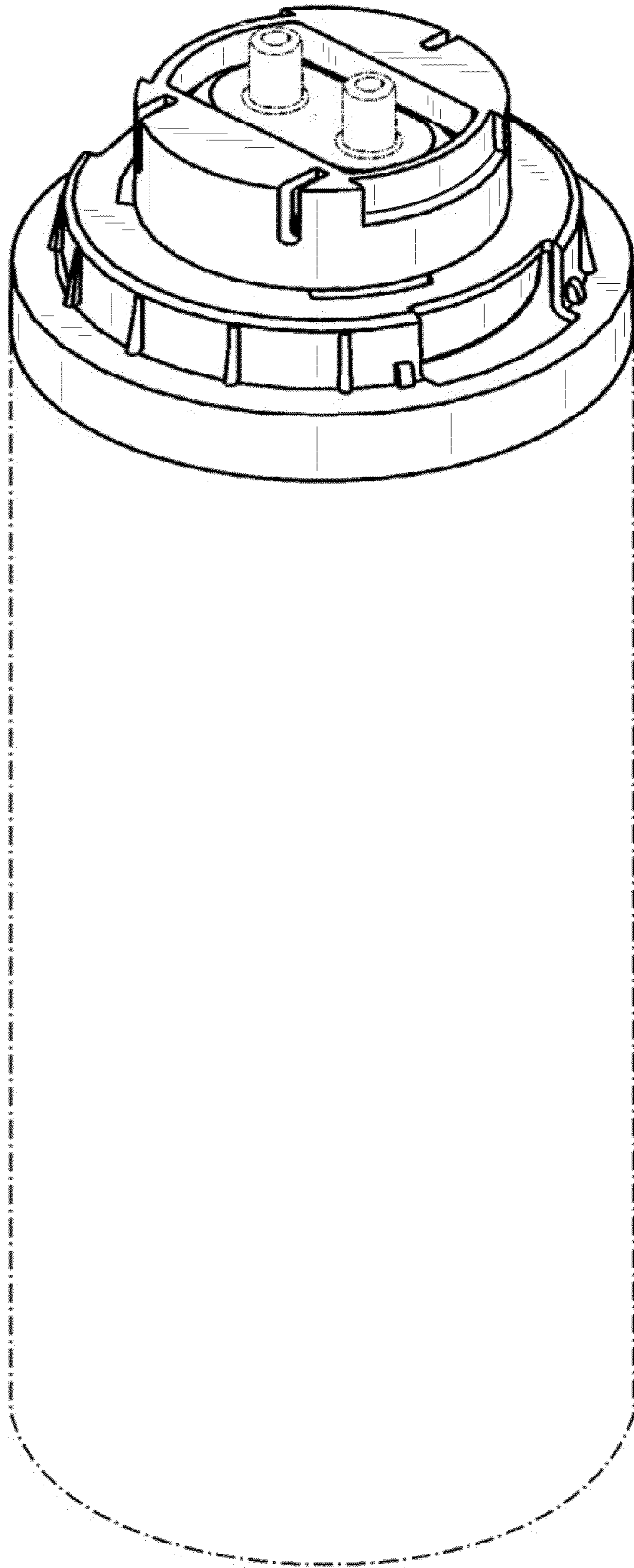


Fig.7