



US00D731311S

(12) **United States Design Patent**
Ramsey et al.

(10) **Patent No.:** **US D731,311 S**
(45) **Date of Patent:** **** *Jun. 9, 2015**

(54) **CAN WITH CHEVRON TAB**

D422,211 S 4/2000 Sedgeley
D422,213 S 4/2000 Sedgeley
D426,155 S 6/2000 Blow et al.
D490,311 S * 5/2004 Timm D9/438

(71) Applicant: **Crown Packaging Technology, Inc.**,
Alsip, IL (US)

(Continued)

(72) Inventors: **Christopher Paul Ramsey**, Wantage
(GB); **Lucy Winstanley**, Gloucestershire
(GB)

Primary Examiner — Robert M Spear
(74) *Attorney, Agent, or Firm* — Baker & Hostetler LLP

(73) Assignee: **Crown Packaging Technology, Inc.**,
Alsip, IL (US)

(57) **CLAIM**

(*) Notice: This patent is subject to a terminal dis-
claimer.

We claim the ornamental design for a can with chevron tab, as
shown and described.

(**) Term: **14 Years**

(21) Appl. No.: **29/472,780**

DESCRIPTION

(22) Filed: **Nov. 15, 2013**

Related U.S. Application Data

(62) Division of application No. 29/435,356, filed on Oct.
23, 2012, now Pat. No. Des. 696,583.

(30) **Foreign Application Priority Data**

Apr. 24, 2012 (EM) 002031997

(51) **LOC (10) Cl.** **09-07**

(52) **U.S. Cl.**
USPC **D9/438**

(58) **Field of Classification Search**
USPC D9/780, 772, 767, 763, 454, 438, 434,
D9/428, 425, 432; D7/396.2, 392.1, 627,
D7/605, 553.2, 541; 229/406, 123.2;
220/470

CPC B65D 17/163
See application file for complete search history.

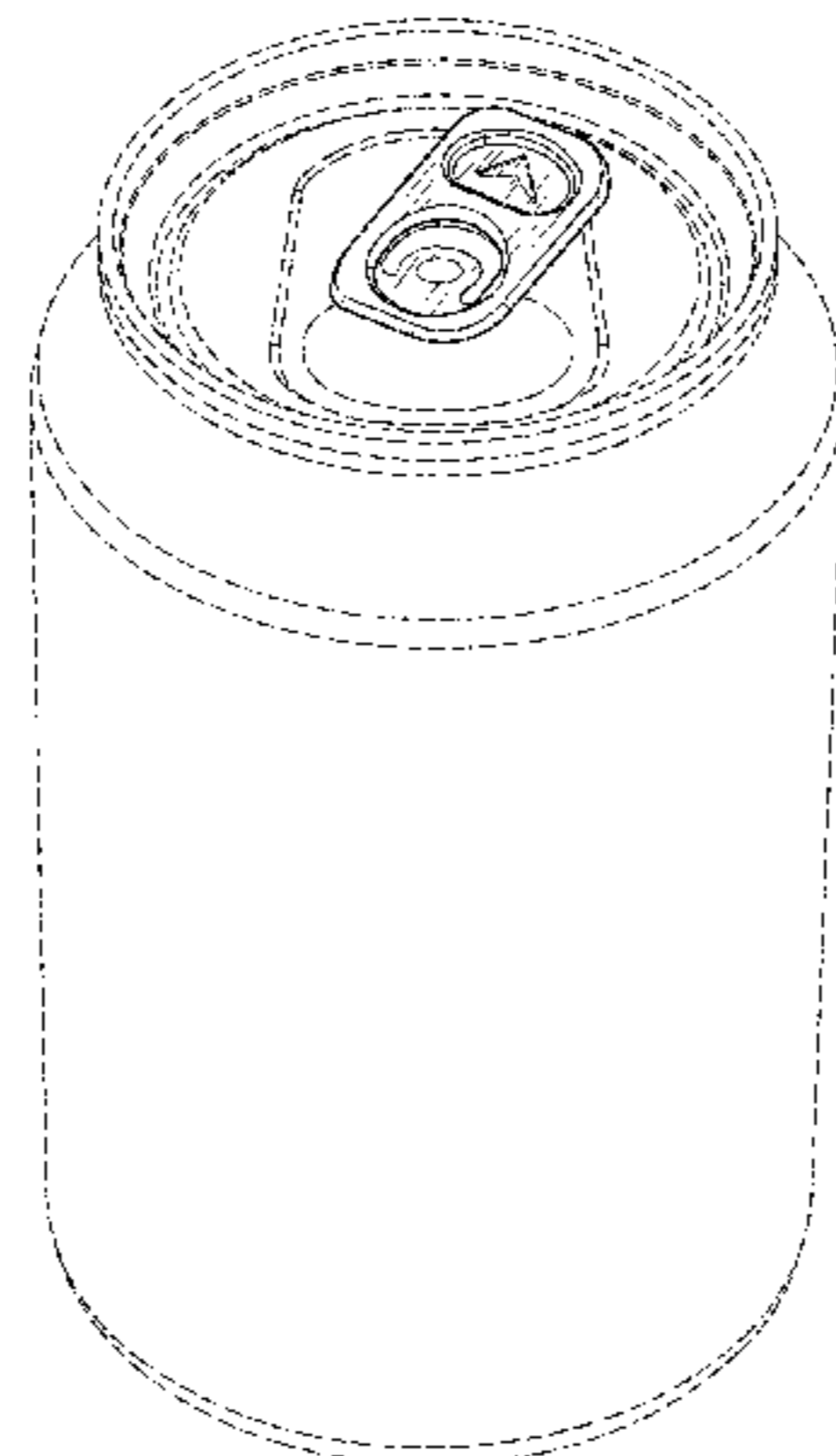
(56) **References Cited**

U.S. PATENT DOCUMENTS

D199,822 S 12/1964 Bozek
D200,883 S 4/1965 Bozek

FIG. 1 is a top plan view of a can with chevron tab according
to a first embodiment, wherein the tab is in a first position;
FIG. 2 is a side elevation view thereof, the side view from
opposing and orthogonal perspectives are identical to the
view of FIG. 2;
FIG. 3 a bottom plan view thereof;
FIG. 4 is perspective view thereof, with the tab is a second
position;
FIG. 5 is a perspective view thereof, with the tab in the first
position;
FIG. 6 is a top plan view of a can with chevron tab, according
to a second embodiment, wherein the tab is in a first position;
FIG. 7 is a side elevation view thereof, the side view from
opposing and orthogonal perspectives are identical to the
view of FIG. 7;
FIG. 8 a bottom plan view thereof;
FIG. 9 is perspective view thereof, with the tab is a second
position; and,
FIG. 10 is a perspective view thereof, with the tab in the first
position.
The portions of the drawings appearing in broken lines are for
environment only and do not form a part of the claimed
design.

1 Claim, 10 Drawing Sheets



(56)

References Cited

U.S. PATENT DOCUMENTS

D533,775 S 12/2006 Huckel
8,146,768 B2 4/2012 Forrest et al.

D696,582 S 12/2013 Ramsey et al.
D696,583 S * 12/2013 Ramsey et al. D9/438
2005/0045637 A1 3/2005 Rohr et al.
2013/0075401 A1 3/2013 Forrest

* cited by examiner

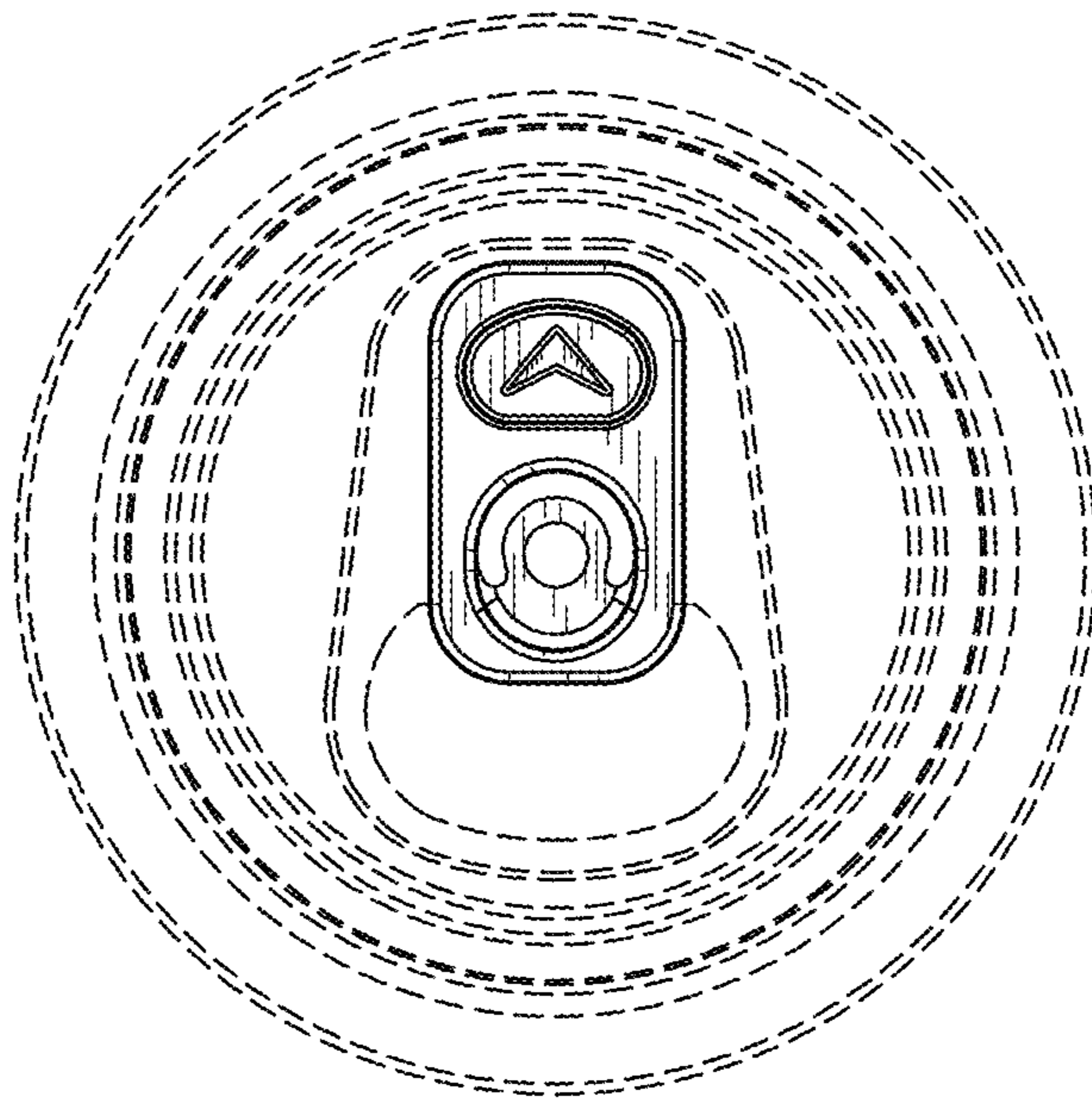


FIG. 1

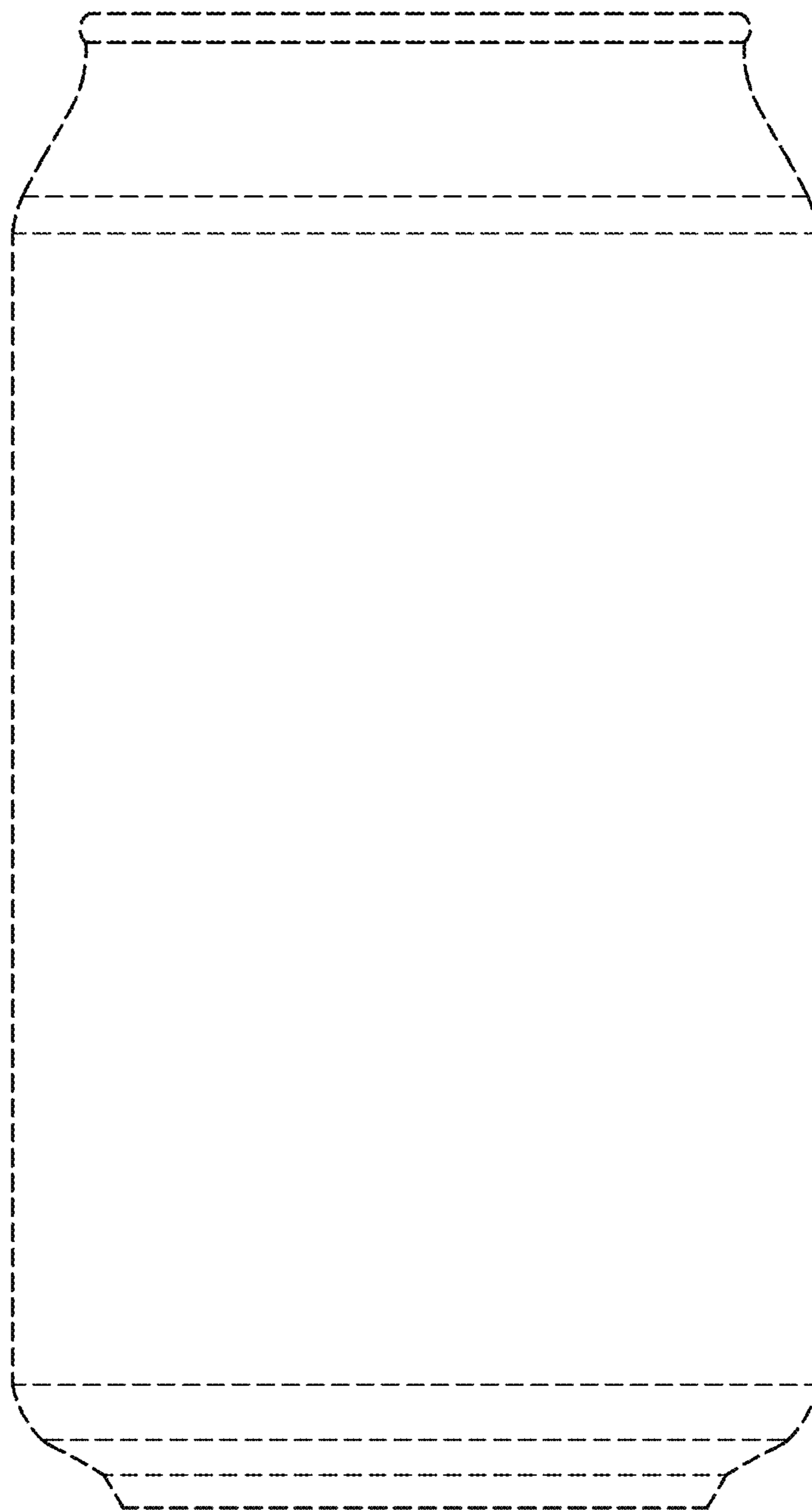


FIG. 2

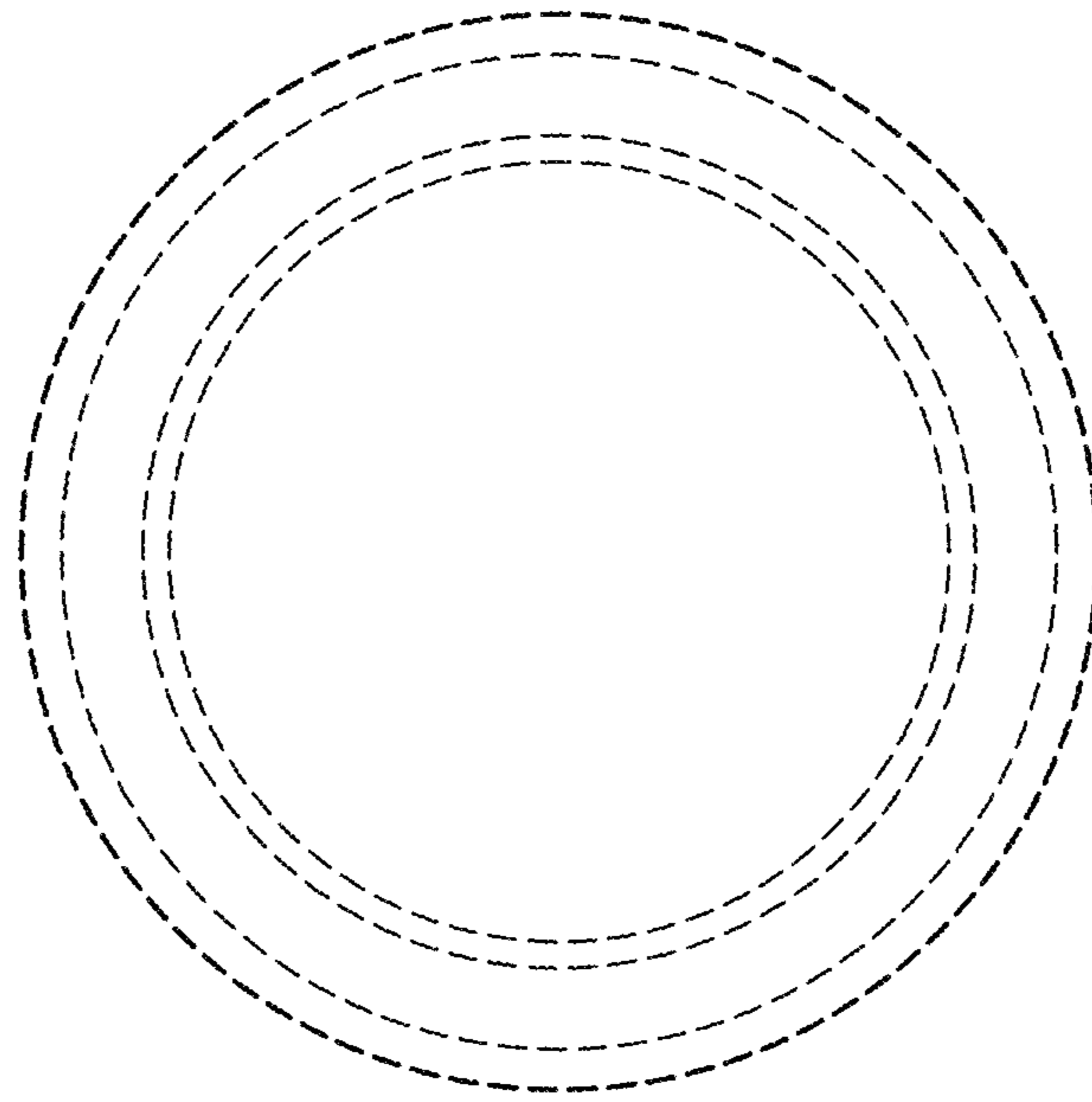


FIG. 3

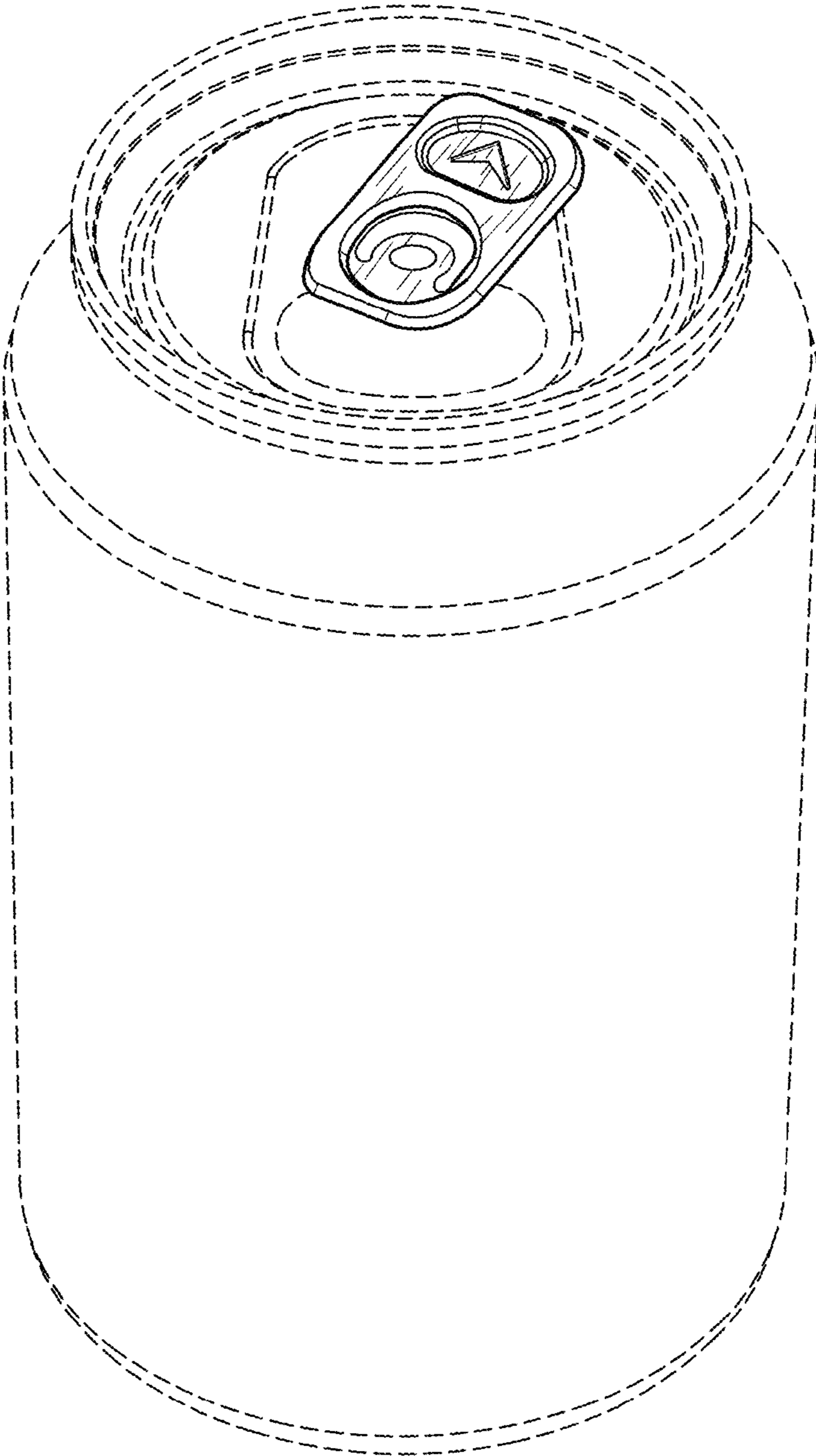


FIG. 4

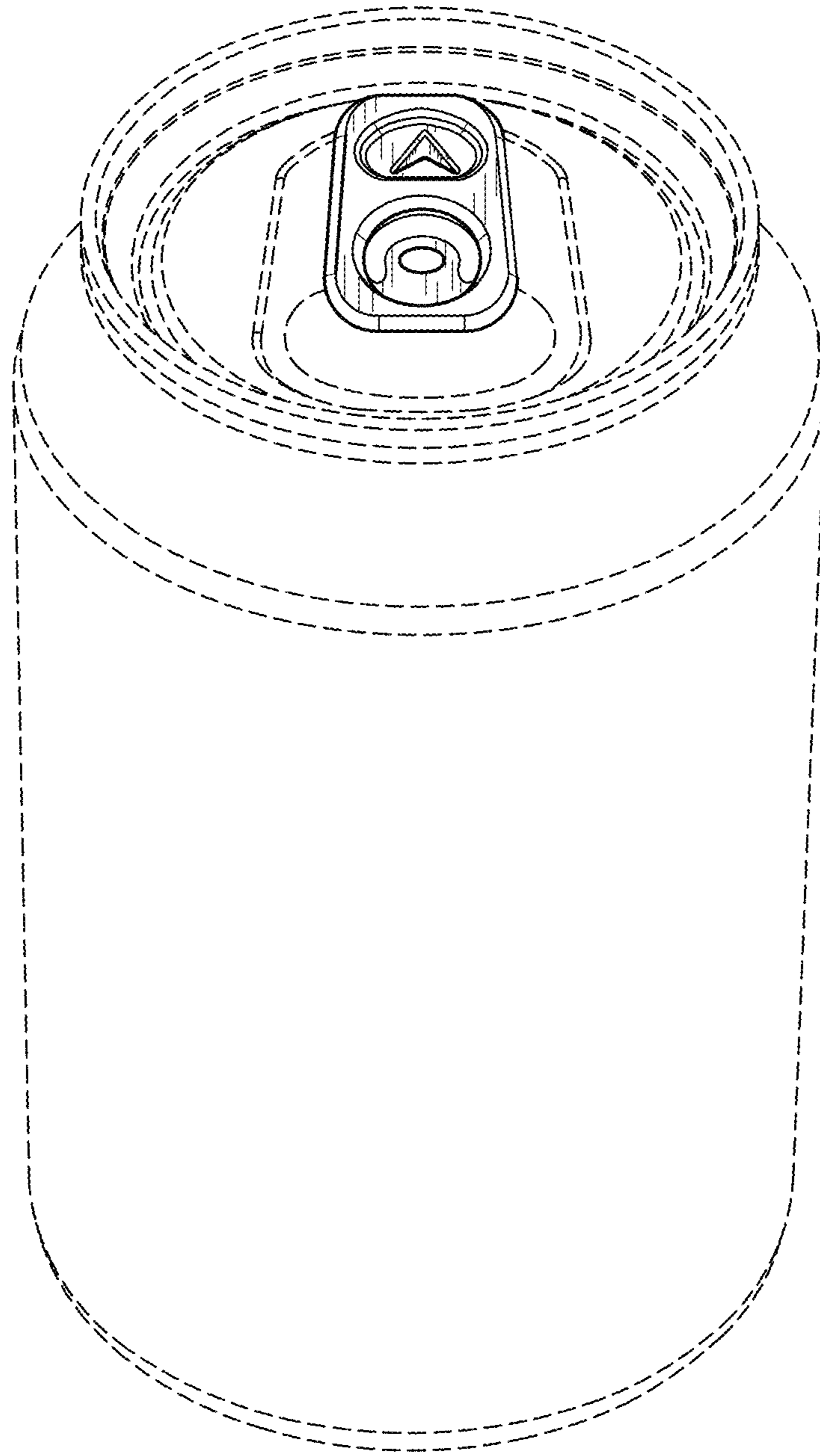


FIG. 5

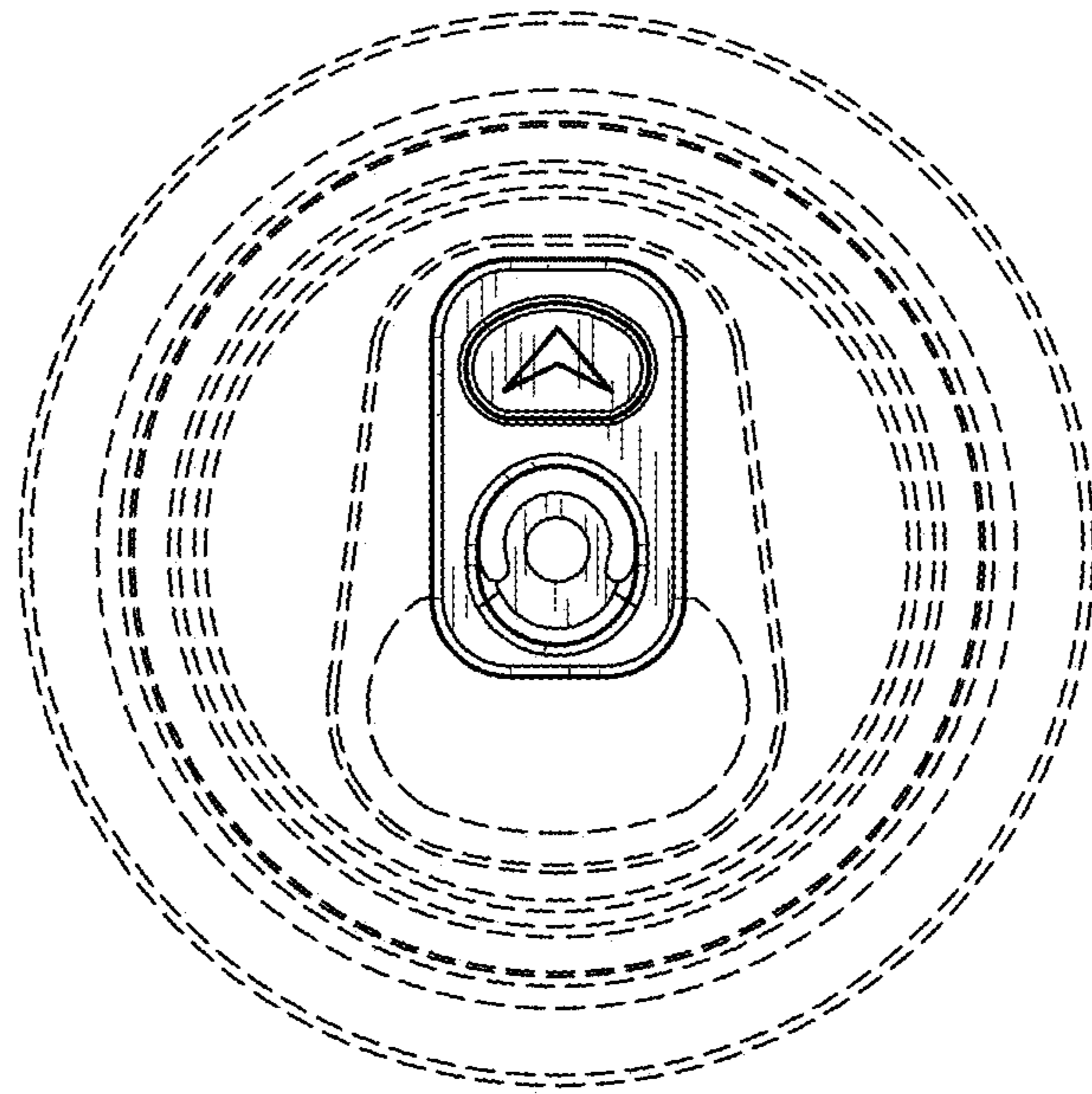


FIG. 6

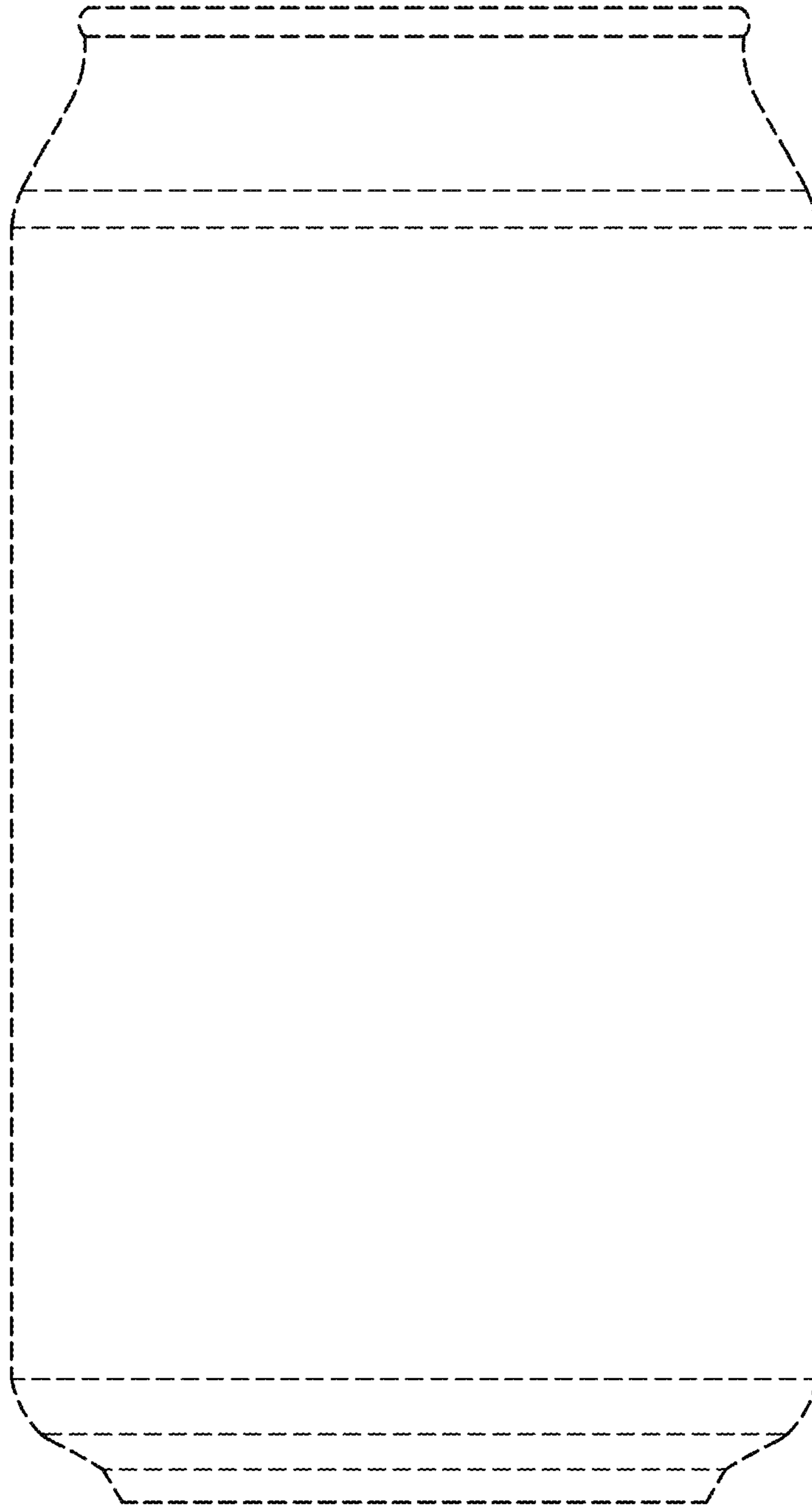


FIG. 7

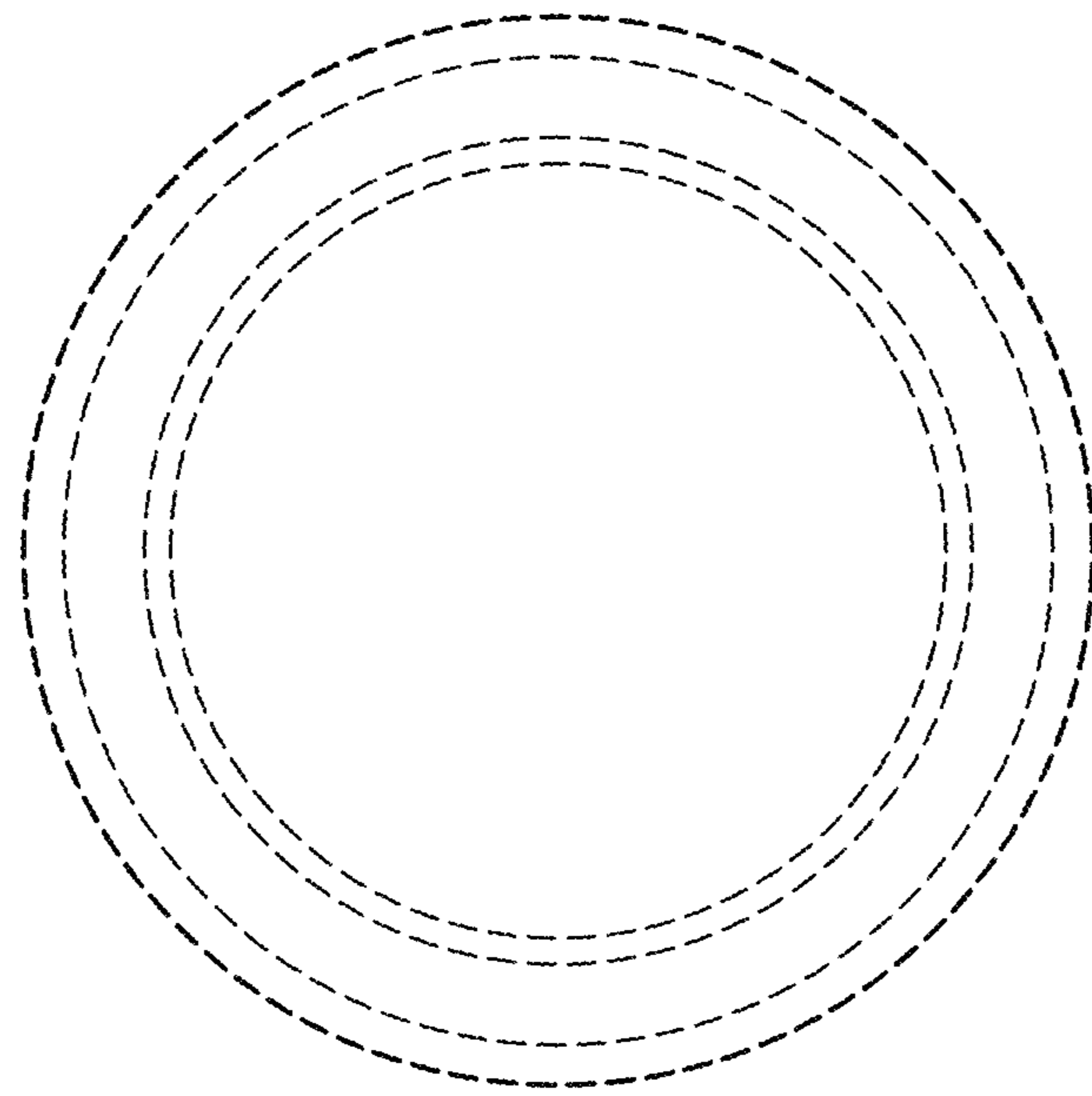


FIG. 8

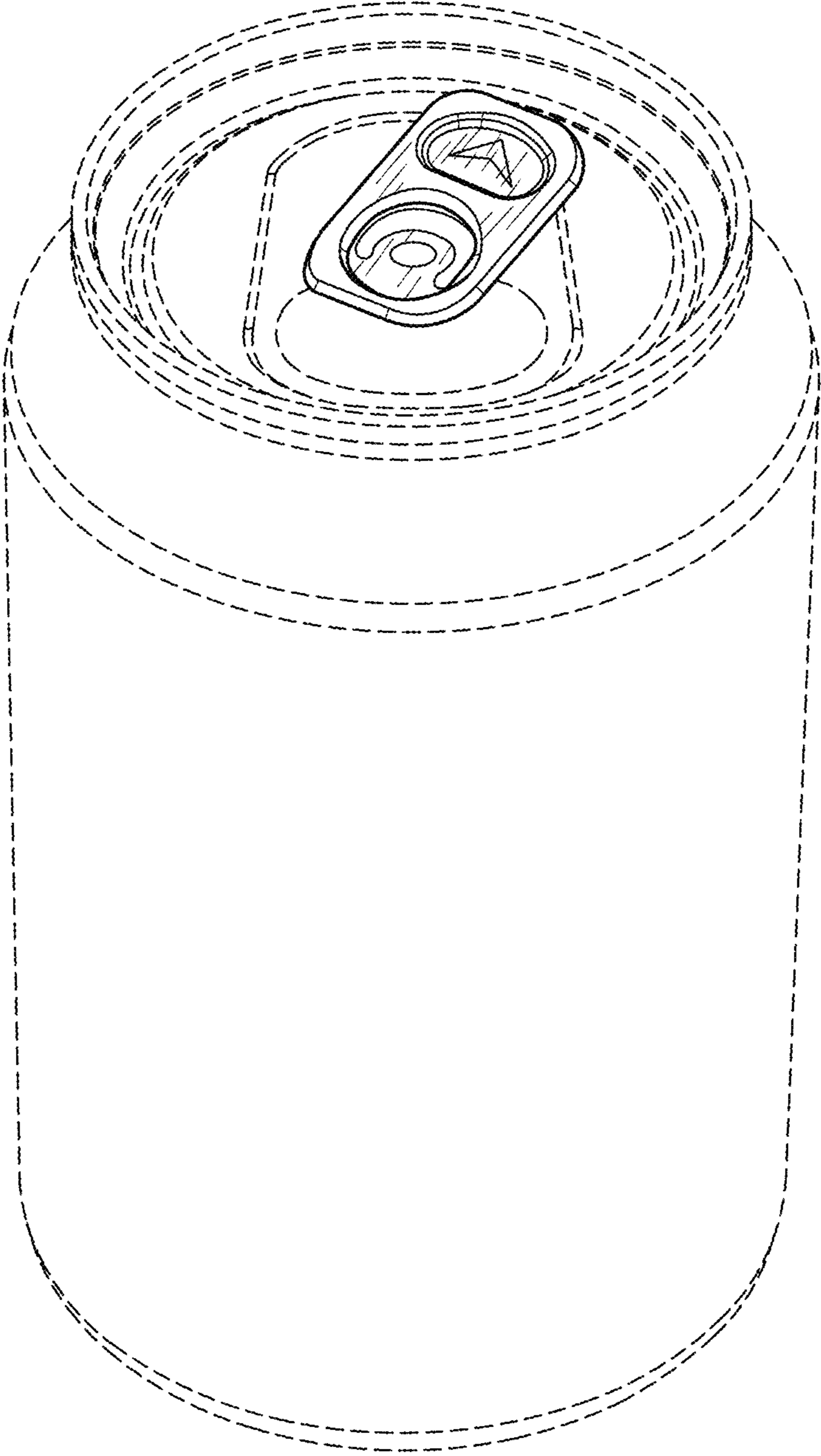


FIG. 9

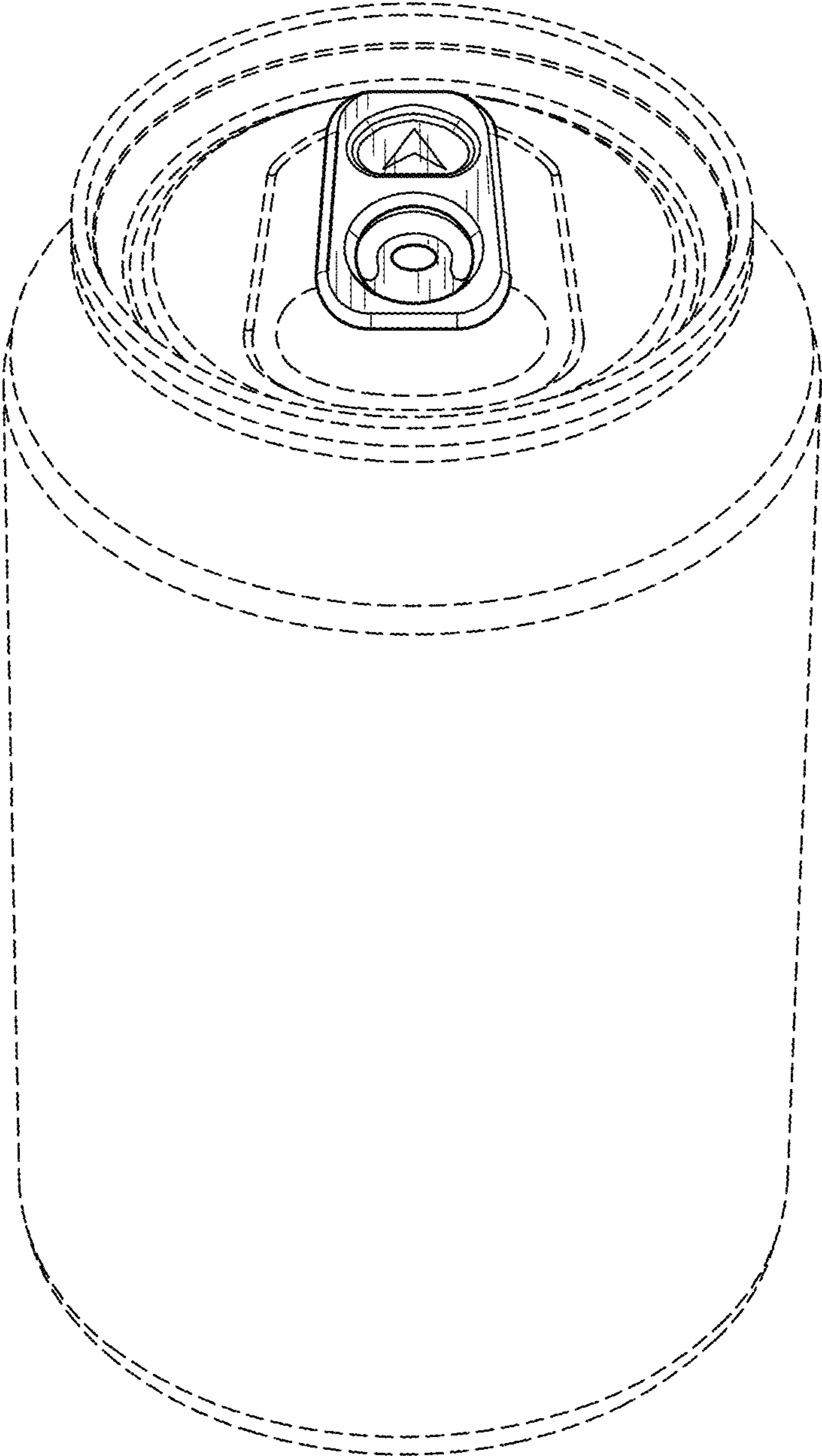


FIG. 10