



US00D731310S

(12) **United States Design Patent**
Demey et al.

(10) **Patent No.:** **US D731,310 S**
(45) **Date of Patent:** **** Jun. 9, 2015**

(54) **ADAPTER WITH CLOSING DEVICE FOR A PRESSURIZED DISPENSING CONTAINER**

(71) Applicant: **ALTACHEM NV**, Deinze (BE)

(72) Inventors: **Jordi Demey**, Oeselgem (BE);
Jean-Marie Poppe, Heule (BE)

(73) Assignee: **ALTACHEM NV**, Deinze (BE)

(**) Term: **14 Years**

(21) Appl. No.: **29/486,411**

(22) Filed: **Mar. 28, 2014**

(51) **LOC (10) Cl.** **09-07**

(52) **U.S. Cl.**
USPC **D9/434**

(58) **Field of Classification Search**

USPC D7/396.2, 507, 509, 510, 511;
D9/434-455, 524, 682, 685, 694;
215/200, 235, 236, 252, 254, 329,
215/355-364; 220/203.04-203.07, 220,
220/254.1, 254.4, 556, 703, 704, 705;
D6/542-545

See application file for complete search history.

(56) **References Cited**

U.S. PATENT DOCUMENTS

1,163,805 A * 12/1915 Bonn 215/319
D56,196 S * 8/1920 Schuler D8/382

(Continued)

FOREIGN PATENT DOCUMENTS

DE 102004003263 A1 8/2005
EP 2487120 A1 8/2012

(Continued)

OTHER PUBLICATIONS

European Search Report for corresponding EP Application No. 12196584 dated May 31, 2013.

(Continued)

Primary Examiner — Robert M Spear

Assistant Examiner — Marissa J Cash

(74) *Attorney, Agent, or Firm* — Workman Nydegger

(57) **CLAIM**

The ornamental design for an adapter with closing device for a pressurized dispensing container, as shown and described.

DESCRIPTION

FIG. 1 is a top-front perspective view of an adapter with closing device for a pressurized dispensing container showing the design.

FIG. 2 is a bottom-back perspective view of the adapter with closing device for a pressurized dispensing container of FIG. 1.

FIG. 3 is an enlarged top-front perspective view of the adapter with closing device for a pressurized dispensing container of FIG. 1.

FIG. 4 is a first side elevation view of the adapter with closing device for a pressurized dispensing container of FIG. 1.

FIG. 5 is a second side elevation view of the adapter with closing device for a pressurized dispensing container of FIG. 1.

FIG. 6 is a top view of the adapter with closing device for a pressurized dispensing container of FIG. 1.

FIG. 7 is a bottom view of the adapter with closing device for a pressurized dispensing container of FIG. 1.

FIG. 8 is a front elevation view of the adapter with closing device for a pressurized dispensing container of FIG. 1.

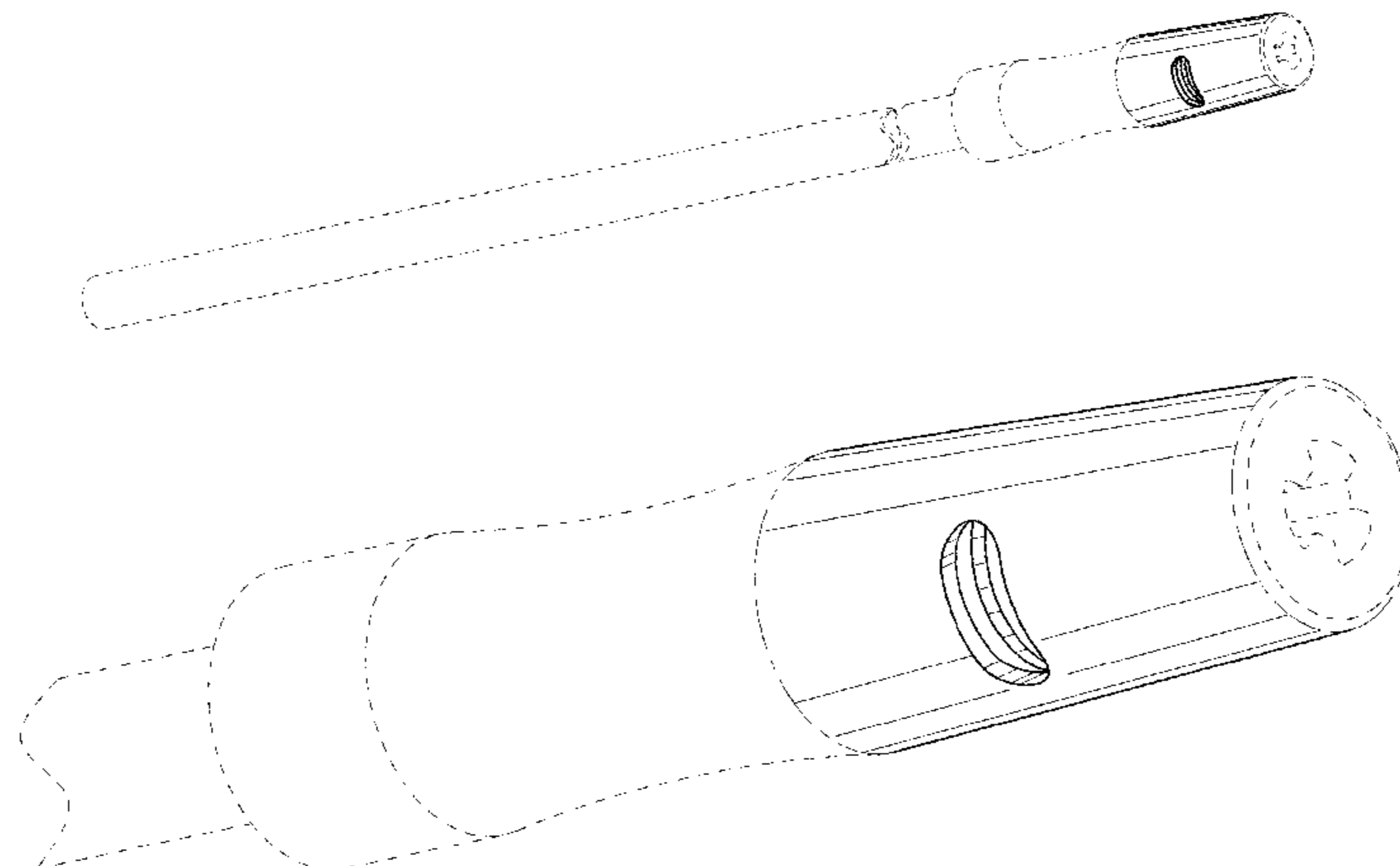
FIG. 9 is a back elevation view of the adapter with closing device for a pressurized dispensing container of FIG. 1.

FIG. 10 is a front elevation view of the adapter with closing device for a pressurized dispensing container of FIG. 1, shown in an alternate environment of use; and,

FIG. 11 is a front elevation view of the adapter with closing device for a pressurized dispensing container of FIG. 1, shown in a second alternate environment of use.

The dot-dash broken lines define, but are not included in, the boundaries of the claimed design. The broken lines and portions within the broken lines are included for the purpose of illustrating environmental structure and form no part of the claimed design.

1 Claim, 5 Drawing Sheets



(56)

References Cited

U.S. PATENT DOCUMENTS

2,877,918 A 3/1959 Gardner
 3,168,969 A 2/1965 Krieps
 3,276,640 A 10/1966 Milton
 3,572,559 A 3/1971 Stull
 3,606,107 A 9/1971 Ardito et al.
 4,489,843 A * 12/1984 Drozd, Jr. 215/252
 D311,296 S * 10/1990 Santoiemmo D7/300
 D327,432 S * 6/1992 Farricielli D9/444
 D360,580 S * 7/1995 Bomareto D9/447
 D394,006 S * 5/1998 Toleman D9/435
 6,085,947 A 7/2000 Lien
 D459,226 S * 6/2002 Guarnieri D9/435
 D475,922 S * 6/2003 Smith D9/445
 D530,608 S * 10/2006 Nukuto et al. D9/445
 D583,224 S * 12/2008 Holdsworth D8/382
 D658,984 S * 5/2012 Pauser et al. D9/435
 D700,383 S * 2/2014 Seidl et al. D26/43
 8,701,945 B2 4/2014 Hoagland et al.

2013/0320044 A1 12/2013 Hoagland et al.
 2013/0320045 A1 12/2013 Hoagland et al.
 2014/0048568 A1 2/2014 Demey et al.

FOREIGN PATENT DOCUMENTS

WO 02098762 12/2002
 WO 2012/115841 A1 8/2012
 WO 2012115842 A1 8/2012
 WO 2012/120986 A1 9/2012

OTHER PUBLICATIONS

Preinterview First Office Action from USPTO in corresponding Application No. 13/925,887 dated Nov. 5, 2013.
 European Search Report from Corresponding EP Application No. EP 13 19 6673, dated Mar. 13, 2014.
 Notice of Allowance from USPTO in corresponding Application No. 13/925,887 dated Jun. 4, 2014.

* cited by examiner

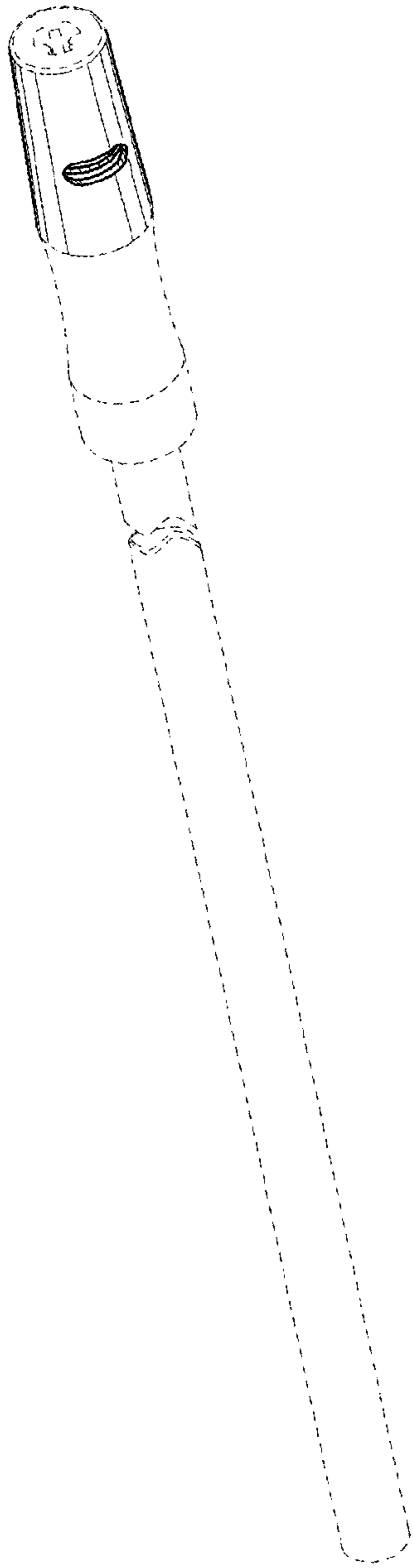


FIG. 1

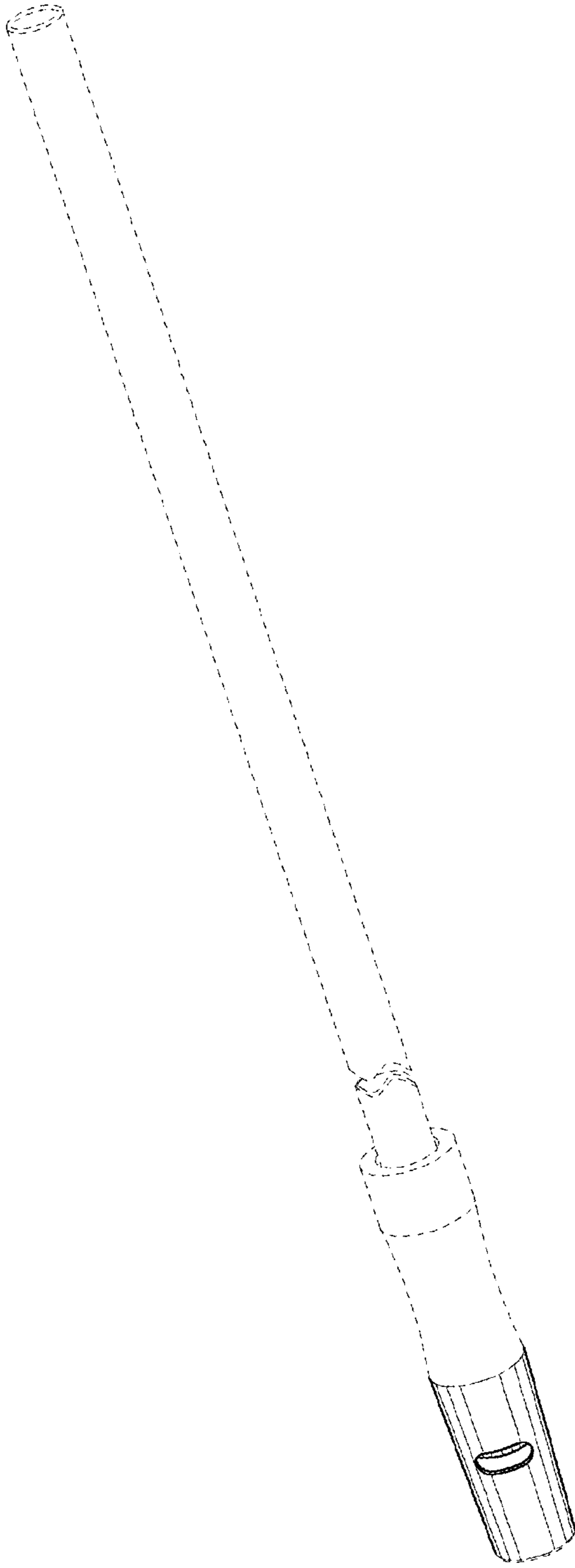


FIG. 2

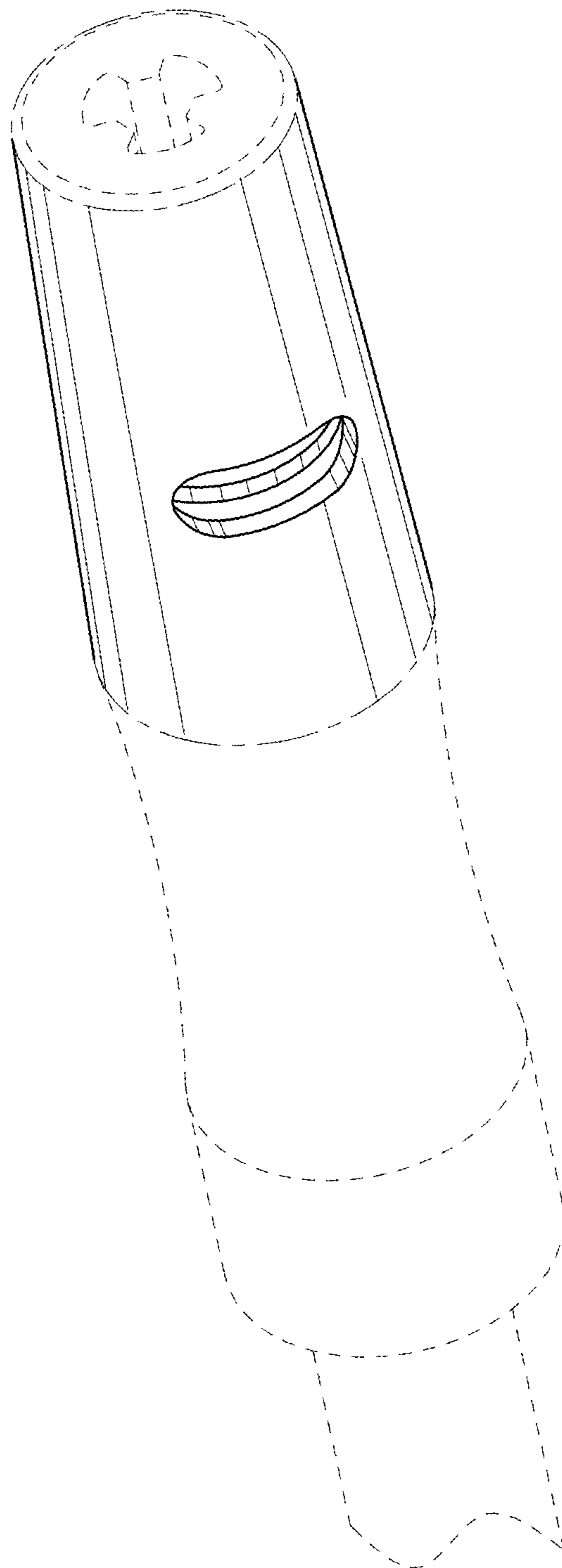


FIG. 3

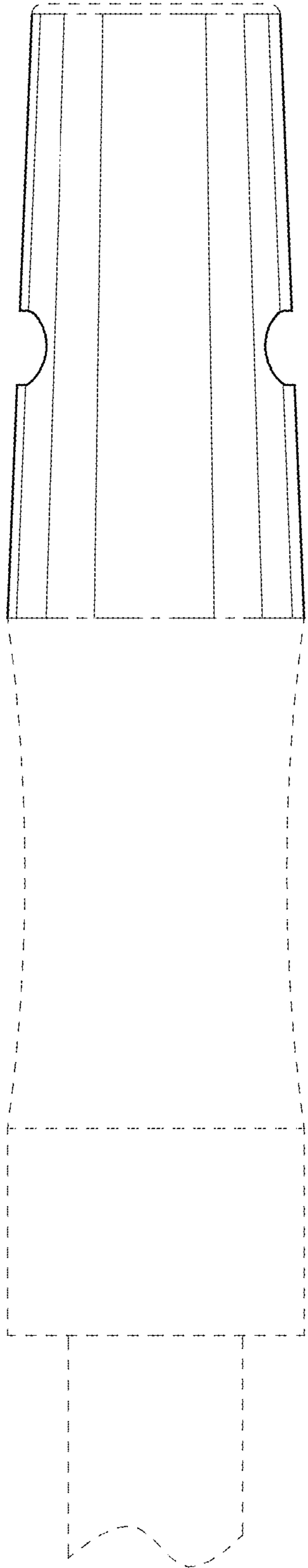


FIG. 4

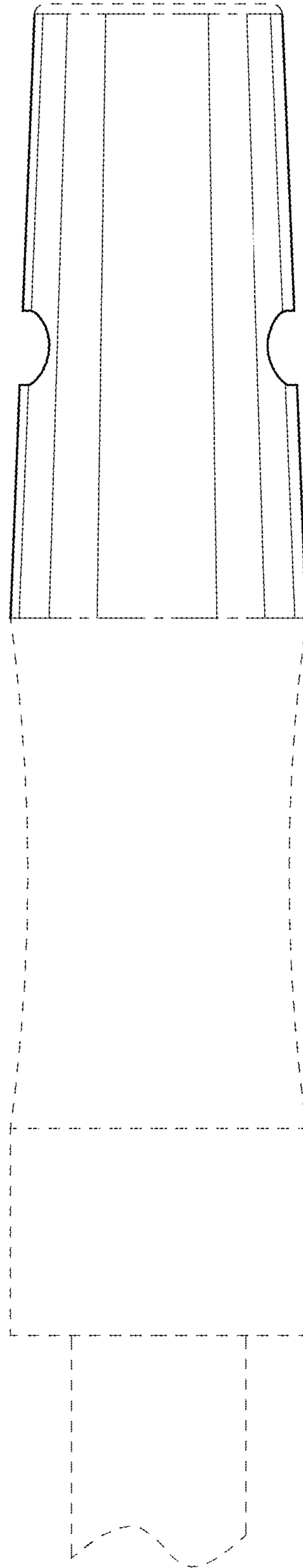


FIG. 5

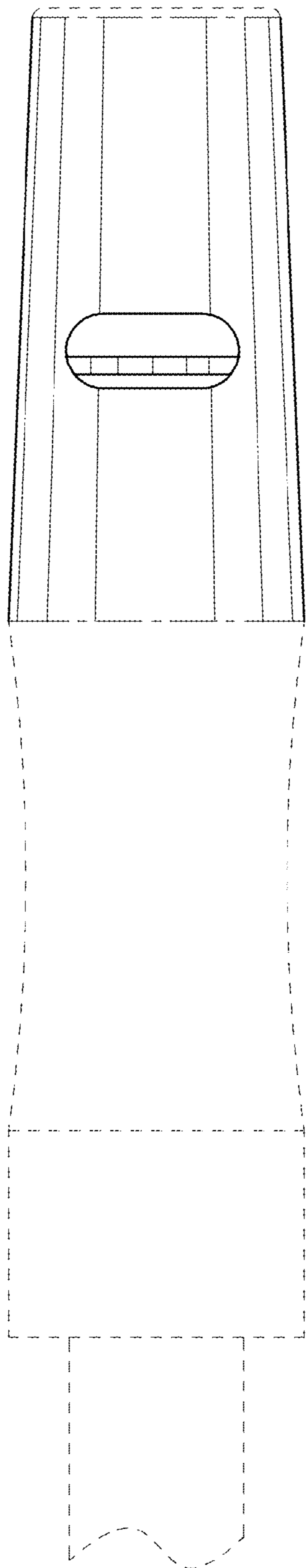


FIG. 6

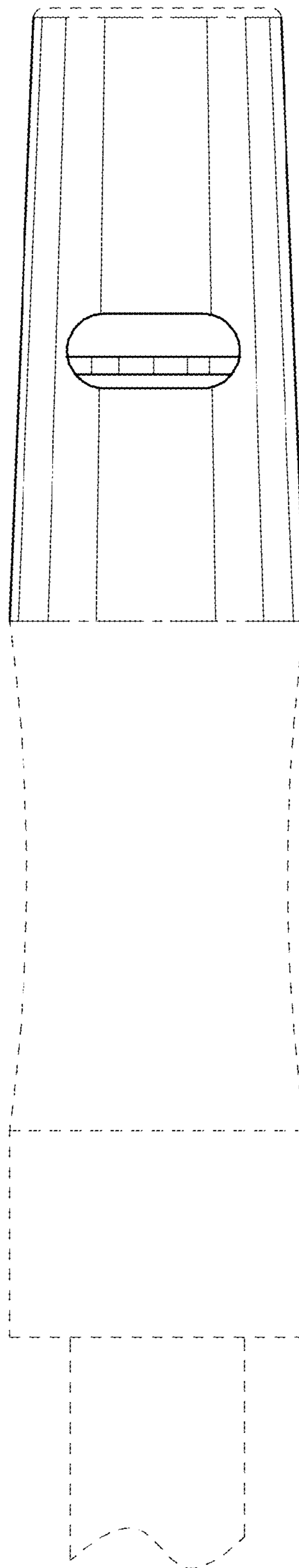


FIG. 7

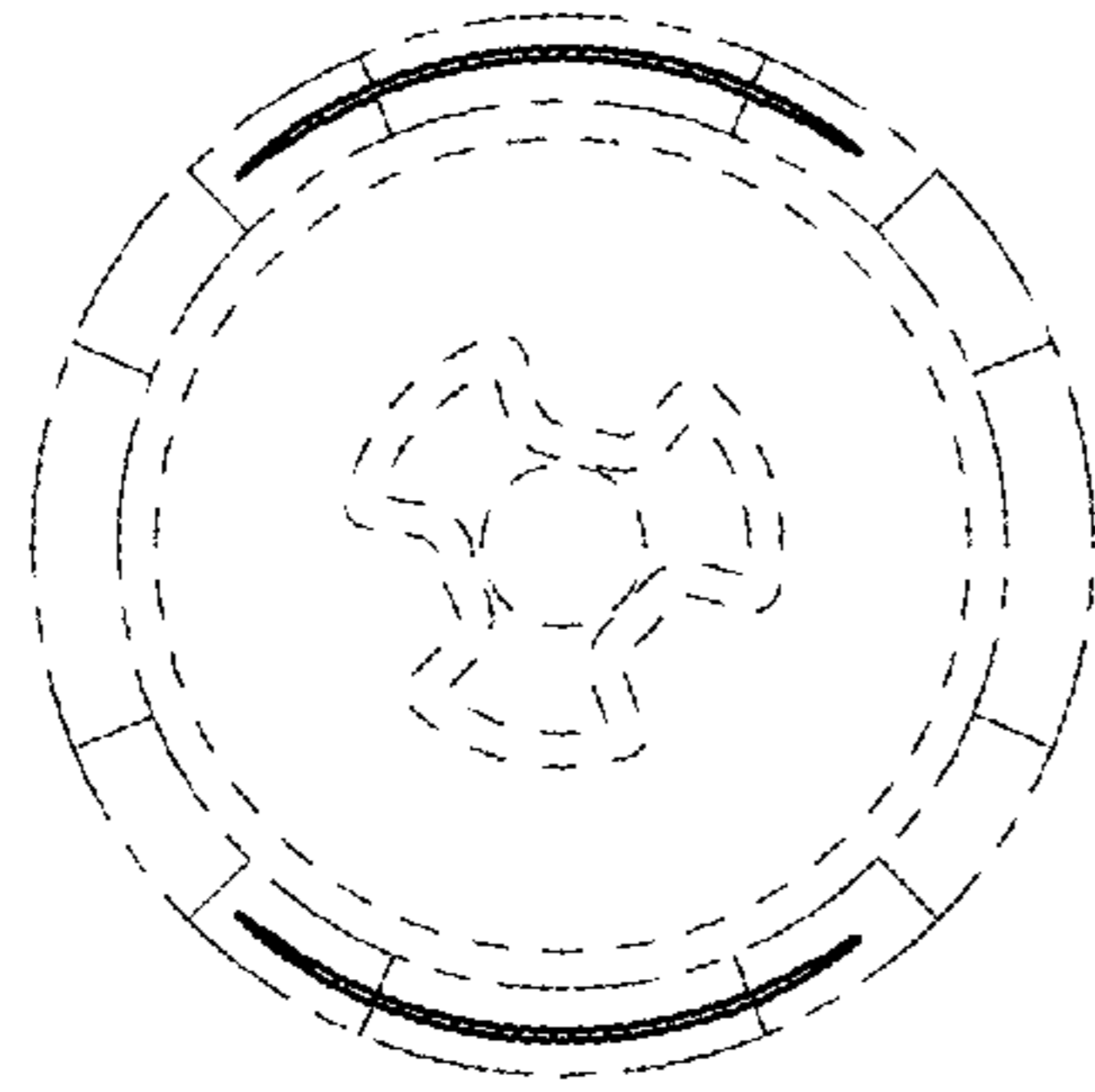


FIG. 8

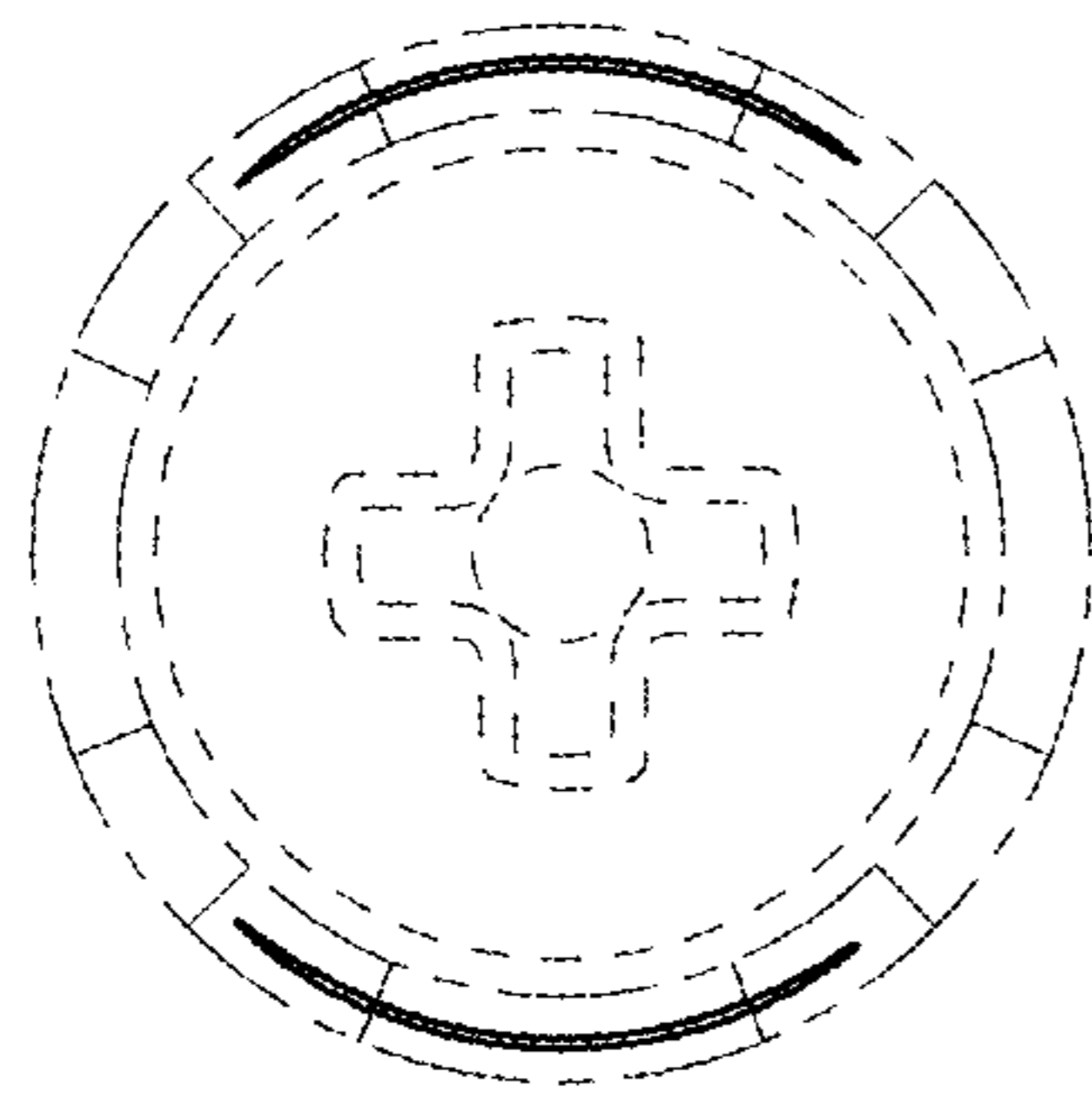


FIG. 10

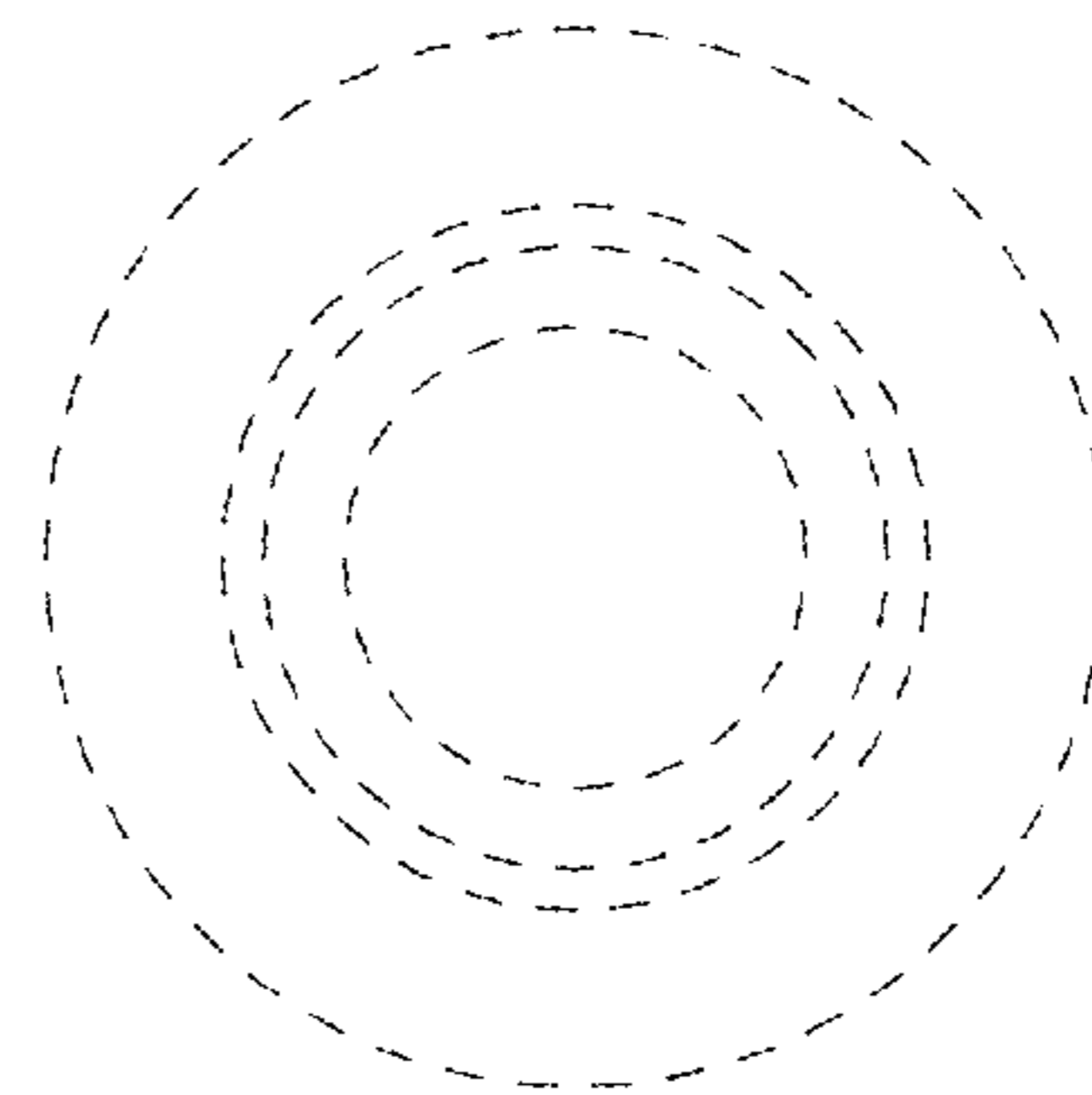


FIG. 9

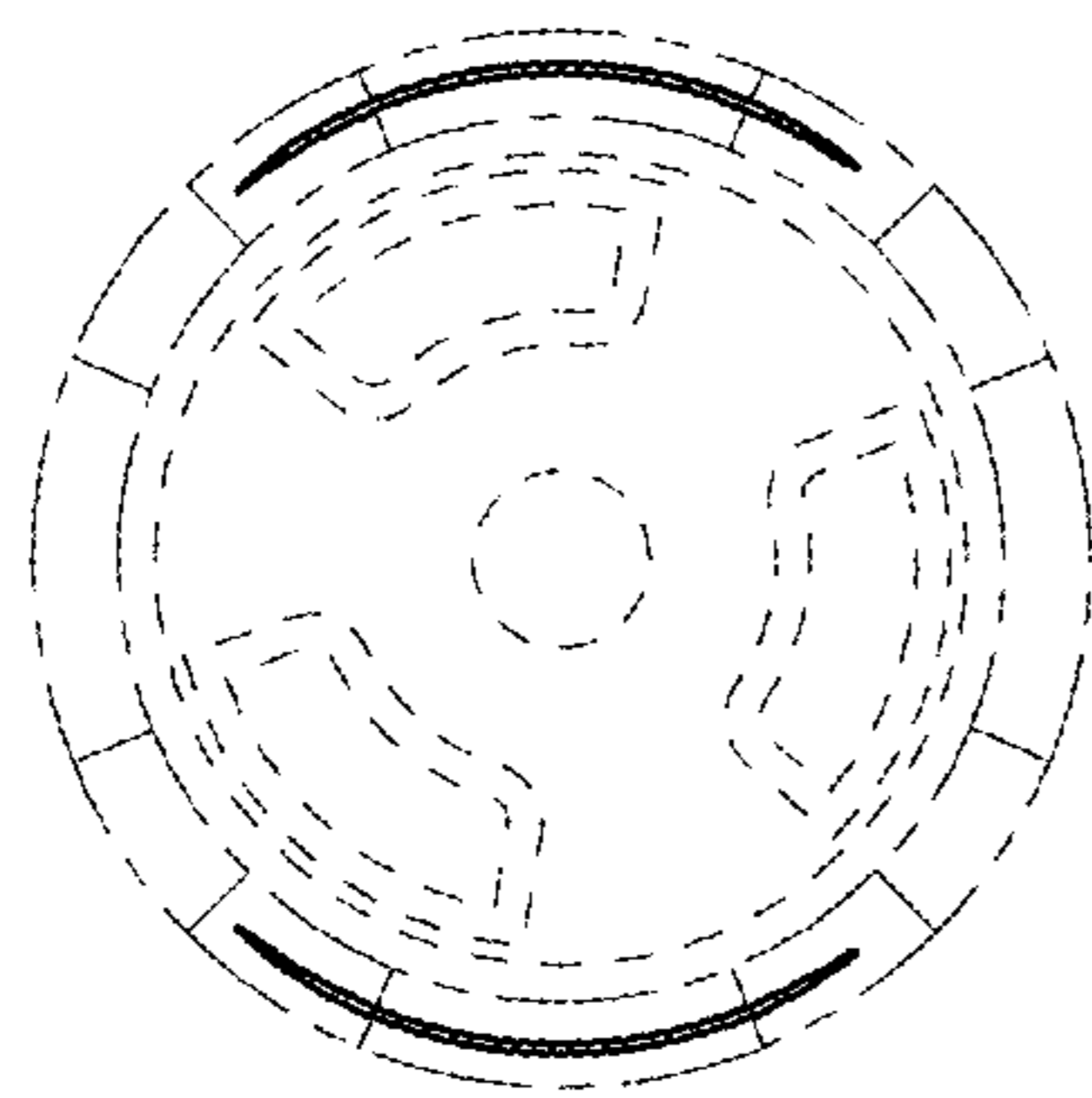


FIG. 11